



US00D757843S

(12) **United States Design Patent**
Gorsuch et al.

(10) **Patent No.:** **US D757,843 S**
(45) **Date of Patent:** **** May 31, 2016**

(54) **CAMERA MOUNT**

- (71) Applicant: **Wisconsin Archery Products LLC**, Mukwonago, WI (US)
- (72) Inventors: **Timothy M. Gorsuch**, Mukwonago, WI (US); **Steven K. Hansen**, Port Washington, WI (US)
- (73) Assignee: **Wisconsin Archery Products LLC**, Mukwonago, WI (US)
- (**) Term: **15 Years**
- (21) Appl. No.: **29/534,556**
- (22) Filed: **Jul. 29, 2015**

Related U.S. Application Data

- (63) Continuation-in-part of application No. 29/524,772, filed on Apr. 23, 2015, which is a continuation-in-part of application No. 29/480,885, filed on Jan. 30, 2014, now Pat. No. Des. 729,863.
- (51) **LOC (10) Cl.** **16-05**
- (52) **U.S. Cl.**
USPC **D16/242**
- (58) **Field of Classification Search**
USPC D16/134, 136, 208, 213–219, 235, D16/237–245, 250; D14/203.4, 218, 224, D14/250–253, 345, 440, 449; D8/22, 23, D8/56, 60, 106, 363, 373, 394; D22/107, D22/108
CPC G03B 17/02–17/04; G03B 17/14; G03B 17/56; G03B 17/561–17/568; G03B 21/20–21/2066; G03B 15/041–15/0436; G02B 7/02–7/04; G02B 7/14; H04N 5/2251–5/2554; F16M 11/02; F16M 11/20; F16M 11/40
See application file for complete search history.

(56) **References Cited**

U.S. PATENT DOCUMENTS

- 584,871 A 6/1897 Gordon
- 1,582,381 A 4/1926 Citero

(Continued)

OTHER PUBLICATIONS

Slate River LLC Camera Mounts Product List, www.slateriverllc.com/camera_mounts.html, printed Mar. 5, 2014.
(Continued)

Primary Examiner — Susan Bennett Hattan
Assistant Examiner — Vy Koenig
(74) *Attorney, Agent, or Firm* — Ryan Kromholz & Manion, S.C.

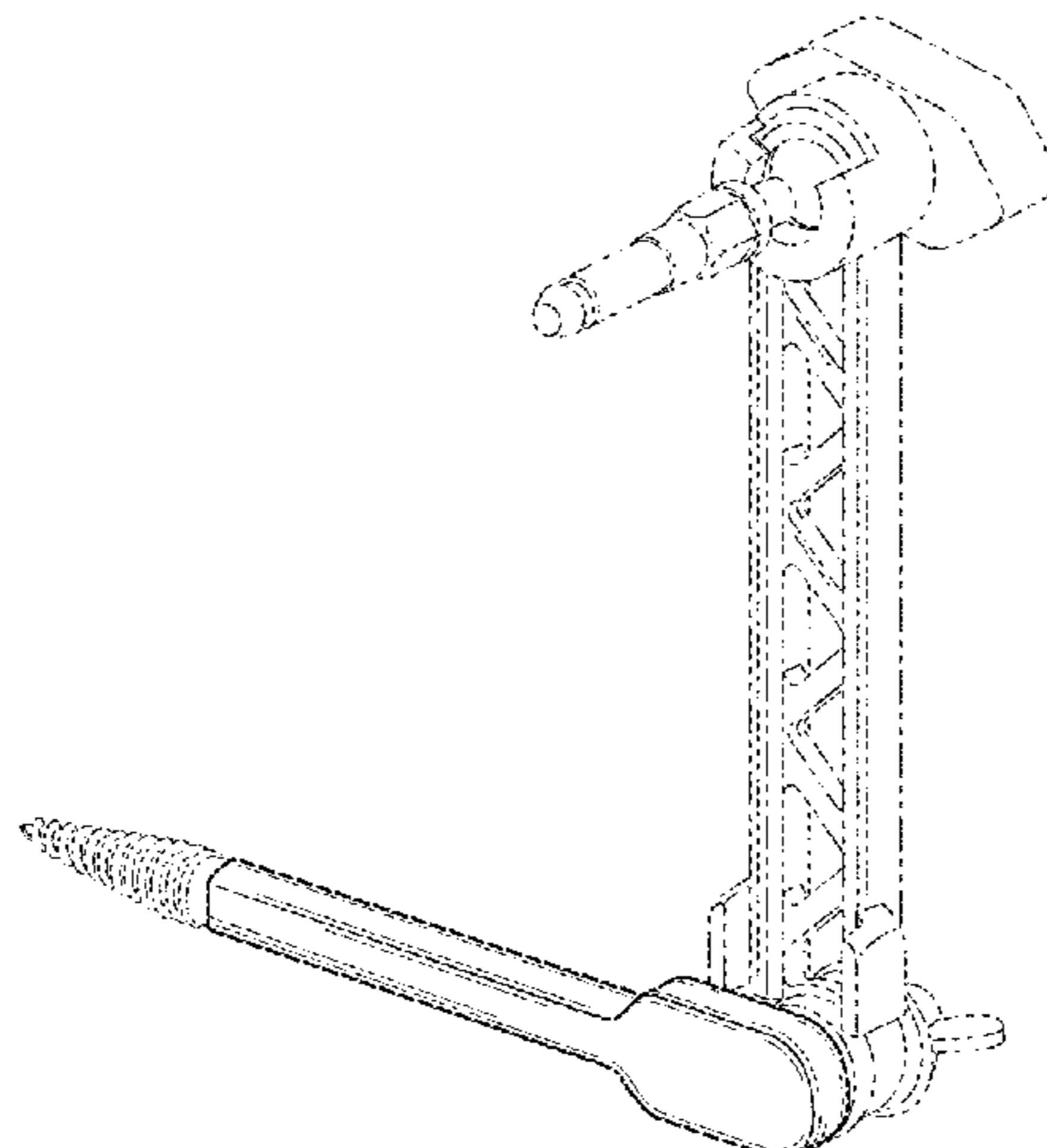
(57) **CLAIM**

The ornamental design for a camera mount, as shown and described.

DESCRIPTION

FIG. 1 is a top perspective view of a camera mount; FIG. 2 is a bottom view of the camera mount; FIG. 3 is a top view of the camera mount; FIG. 4 is a first side view of the camera mount; FIG. 5 is a second side view of the camera mount; FIG. 6 is a front side view of the camera mount; FIG. 7 is a rear side view of the camera mount; FIG. 8 is a top perspective view of a camera mount with an alternate embodiment of a camera securing structure; FIG. 9 is a bottom view of the camera mount with an alternate embodiment of camera securing structure; FIG. 10 is a top view of the camera mount with an alternate embodiment of a camera securing structure; FIG. 11 is a first side view of the camera mount with an alternate embodiment of a camera securing structure; FIG. 12 is a second side view of the camera mount with an alternate embodiment of a camera securing structure; FIG. 13 is a front side view of the camera mount with an alternate embodiment of a camera securing structure; and, FIG. 14 is a rear side view of the camera mount with an alternate embodiment of camera securing structure. The broken lines in the drawings depict environmental structure and form no part of the claimed design.

1 Claim, 4 Drawing Sheets



(56)

References Cited

U.S. PATENT DOCUMENTS

D140,011 S 1/1945 Creedon
 2,375,214 A 5/1945 Creedon
 D144,840 S 5/1946 Creedon
 3,136,519 A 6/1964 Spriggle
 3,185,422 A 5/1965 Spindler
 3,601,598 A * 8/1971 Horn F21V 21/26
 248/278.1
 3,776,498 A 12/1973 Peters et al.
 D253,165 S * 10/1979 Scott D8/354
 4,290,219 A 9/1981 Boller et al.
 4,296,725 A 10/1981 Broderick
 4,470,106 A 9/1984 Norton
 4,542,873 A 9/1985 Matherly et al.
 4,617,741 A 10/1986 Bordeaux et al.
 4,708,221 A 11/1987 Kubiak
 4,722,501 A 2/1988 Ruhl
 4,729,363 A 3/1988 Skyba
 4,744,537 A 5/1988 Buckley
 4,753,528 A 6/1988 Hines et al.
 4,894,921 A 1/1990 Barlow
 5,092,552 A 3/1992 Dayton et al.
 5,263,675 A 11/1993 Roberts et al.
 5,310,150 A 5/1994 Fecko
 5,310,151 A 5/1994 Engel
 D348,215 S 6/1994 Melhorn
 D356,640 S * 3/1995 Nordstrom D24/176
 5,442,861 A 8/1995 Lorocco
 5,479,712 A 1/1996 Hargrove et al.
 5,482,241 A 1/1996 Oglesby
 5,484,253 A 1/1996 Johnson
 5,518,083 A 5/1996 Blennert
 5,612,779 A 3/1997 Dunne
 5,619,981 A 4/1997 Breedlove
 5,634,278 A 6/1997 London
 5,652,651 A 7/1997 Dunne
 5,685,103 A 11/1997 Wiggins
 5,692,716 A 12/1997 Himmelsbach
 5,727,760 A 3/1998 Wytovak et al.
 5,769,372 A 6/1998 Klosterman
 5,806,508 A 9/1998 Stempien et al.
 5,857,651 A 1/1999 Kunevicius
 5,926,260 A 7/1999 Dunne et al.
 6,059,240 A 5/2000 Gorsuch
 6,073,352 A 6/2000 Zykan et al.
 6,154,971 A 12/2000 Perkins
 6,191,574 B1 2/2001 Dilger
 6,397,483 B1 6/2002 Perkins
 D462,893 S * 9/2002 Sung D8/373
 6,445,444 B2 9/2002 Dunne
 6,478,272 B1 11/2002 McKinsey et al.
 6,484,888 B2 * 11/2002 Miller B62H 3/12
 211/5
 6,526,956 B1 3/2003 Hankins
 6,663,065 B1 12/2003 Whittenburg

6,948,690 B1 9/2005 Sandel
 6,952,881 B2 10/2005 McGivern
 7,162,806 B1 1/2007 Swiggart
 7,296,358 B1 11/2007 Murphy et al.
 7,313,871 B2 1/2008 Lines et al.
 7,513,050 B2 4/2009 Kroening, Jr.
 7,614,156 B1 11/2009 Imig
 7,832,696 B2 11/2010 Goodman
 7,861,987 B2 1/2011 Gorsuch et al.
 8,016,134 B1 9/2011 Templin et al.
 8,065,807 B2 11/2011 Rucinski
 8,081,298 B1 12/2011 Cross
 D652,287 S 1/2012 Woller
 8,100,044 B1 1/2012 Teetzel et al.
 8,201,571 B1 6/2012 Smith
 8,231,095 B2 7/2012 Bean
 8,316,551 B2 11/2012 Gorsuch et al.
 8,511,433 B2 8/2013 Place
 8,561,952 B2 10/2013 Pfeiler
 8,607,497 B2 12/2013 Green
 D729,302 S * 5/2015 Reese D16/242
 D729,863 S * 5/2015 Gorsuch D16/242
 2003/0038218 A1 2/2003 Eppard et al.
 2005/0021282 A1 1/2005 Sammut et al.
 2005/0229468 A1 10/2005 Zaderey et al.
 2006/0231707 A1 10/2006 Schrot
 2006/0272194 A1 12/2006 Guettner
 2007/0068018 A1 3/2007 Gilmore
 2007/0137088 A1 6/2007 Peters et al.
 2007/0234626 A1 10/2007 Murdock et al.
 2007/0277421 A1 12/2007 Perkins et al.
 2008/0039962 A1 2/2008 McRae
 2008/0107414 A1 5/2008 Showalter
 2009/0078500 A1 3/2009 Wydner et al.
 2009/0205239 A1 8/2009 Smith, III
 2009/0321186 A1 12/2009 Louchart
 2011/0296699 A1 12/2011 Maisonneuve et al.
 2012/0046100 A1 2/2012 Román et al.

OTHER PUBLICATIONS

EZ—Aim Game Camera Mount, www.slateriverllc.myshopify.com,
 printed Mar. 5, 2014.
 EZ—Aim Ratchet Strap Game Camera Mount, www.slateriverllc.myshopify.com,
 printed Mar. 5, 2014.
 EZ—Aim T Post Game Camera Mount, www.slateriverllc.myshopify.com,
 printed Mar. 5, 2014.
 EZ—Aim Stick on Adaptor, www.slateriverllc.myshopify.com,
 printed Mar. 5, 2014.
 Camera Arm with T Handle Mount, www.slateriverllc.myshopify.com,
 printed Mar. 5, 2014.
 Camera Arm with Bear Claw Mount, www.slateriverllc.myshopify.com,
 printed Mar. 5, 2014.
 Screw in T Handle Mount, www.slateriverllc.myshopify.com,
 printed Mar. 5, 2014.

* cited by examiner

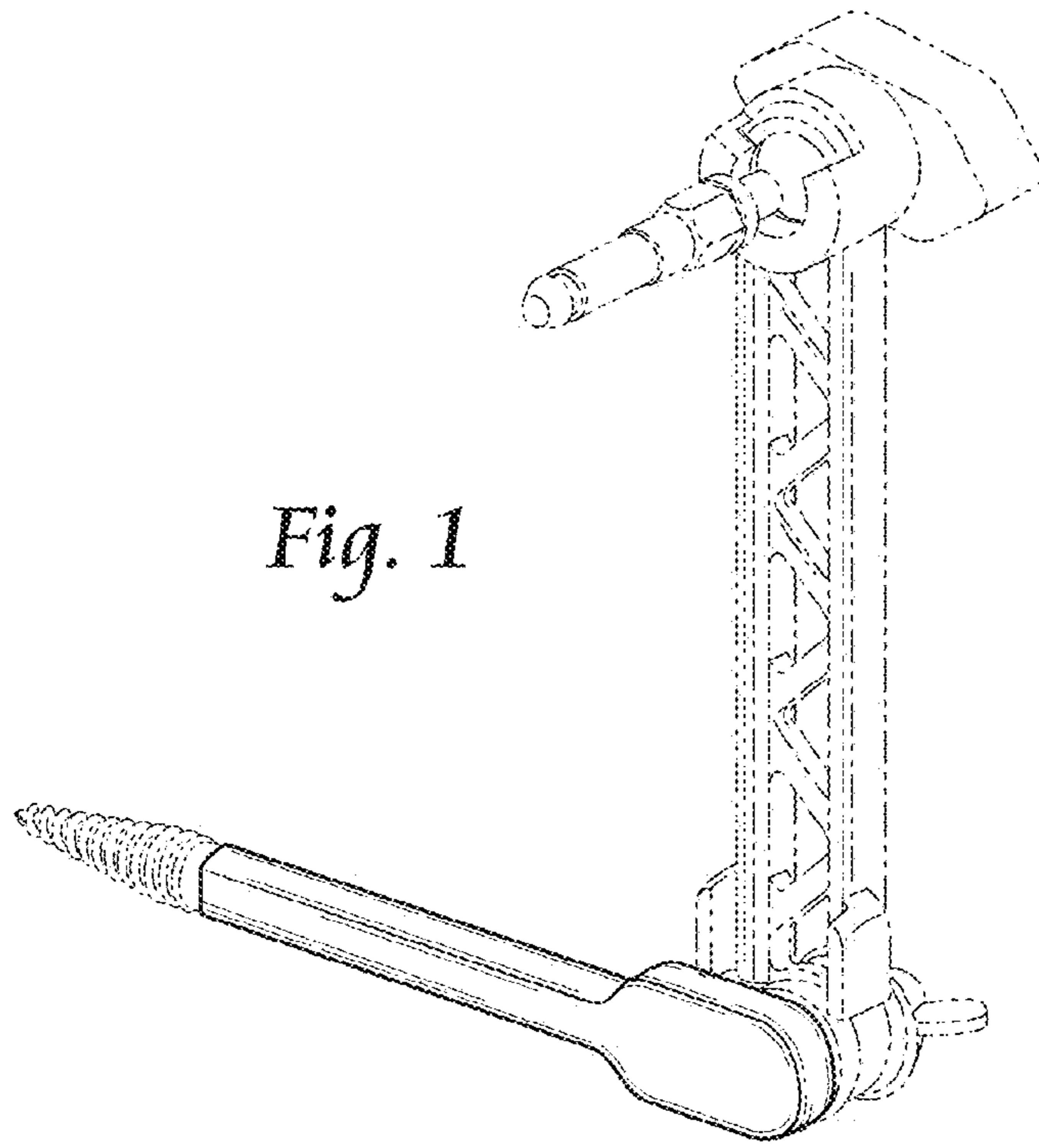


Fig. 1

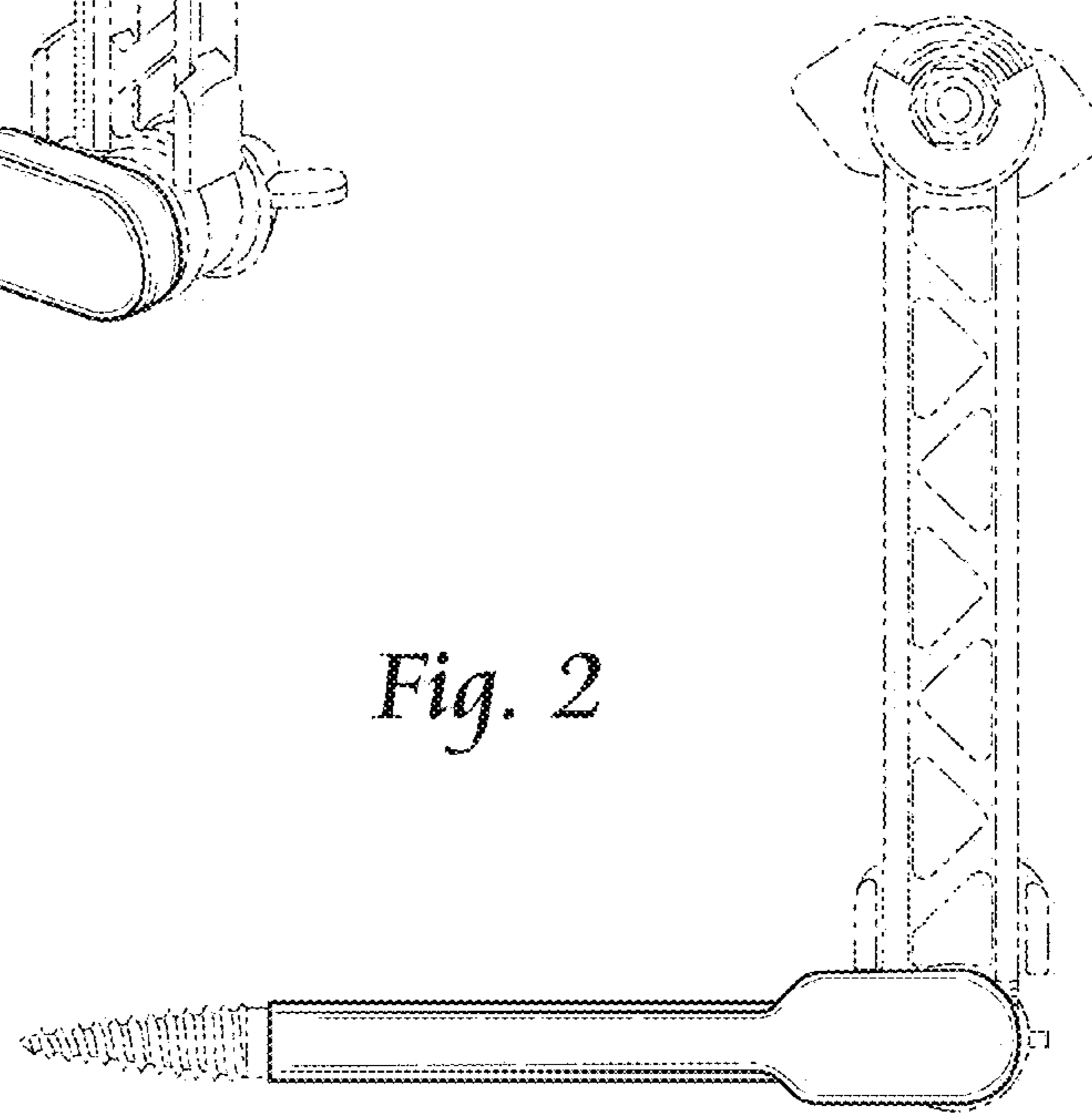


Fig. 2

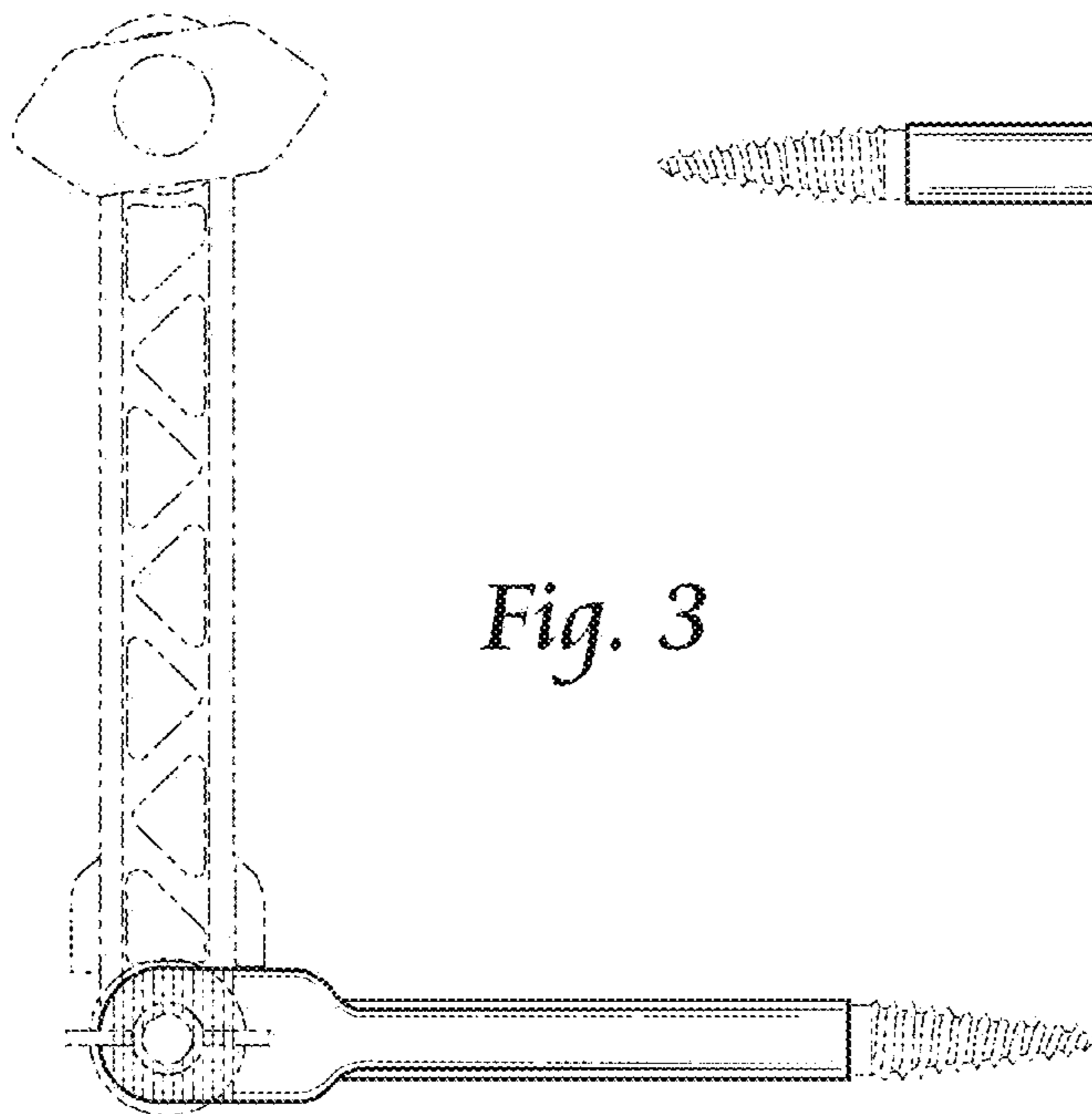


Fig. 3

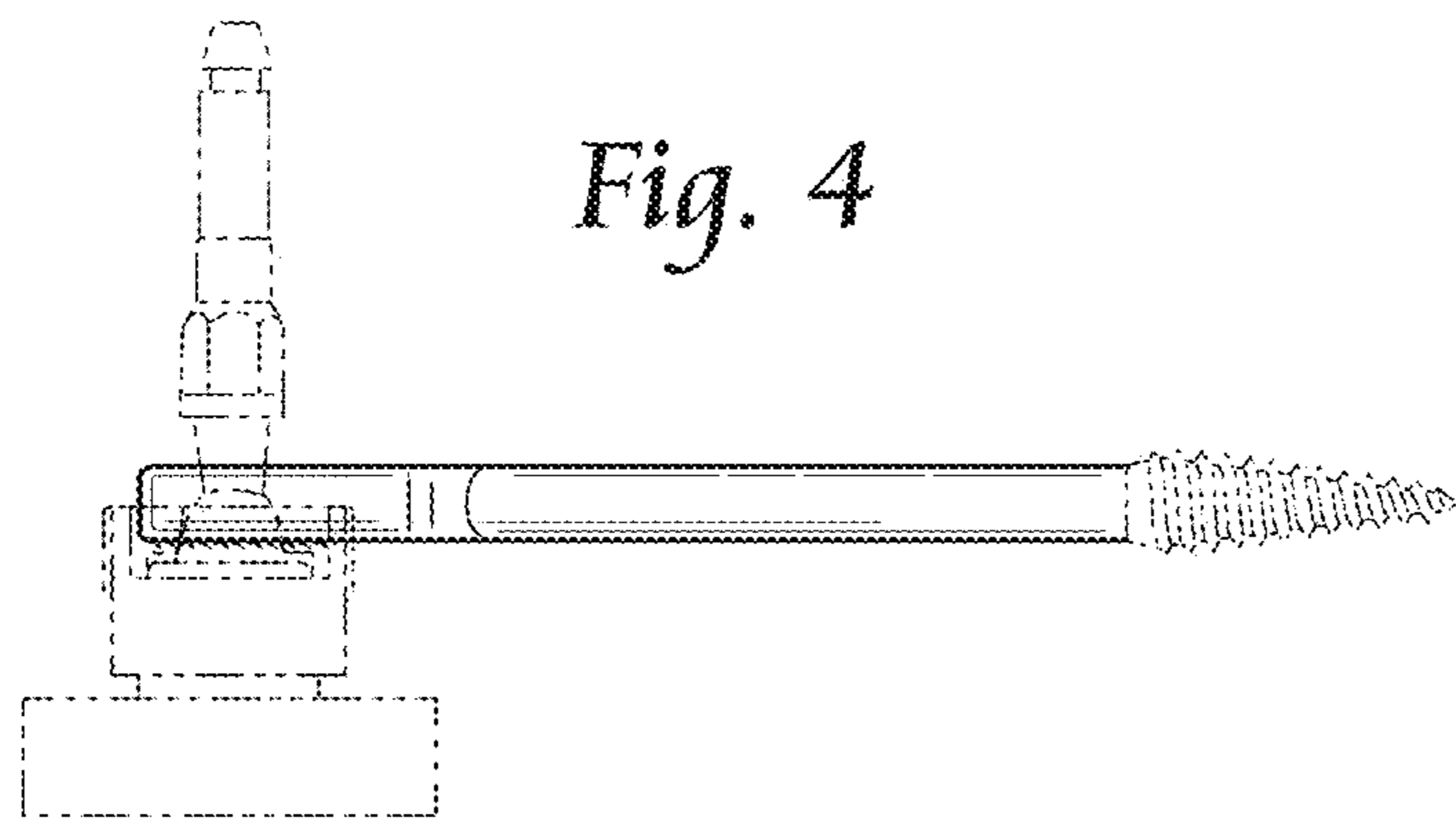


Fig. 4

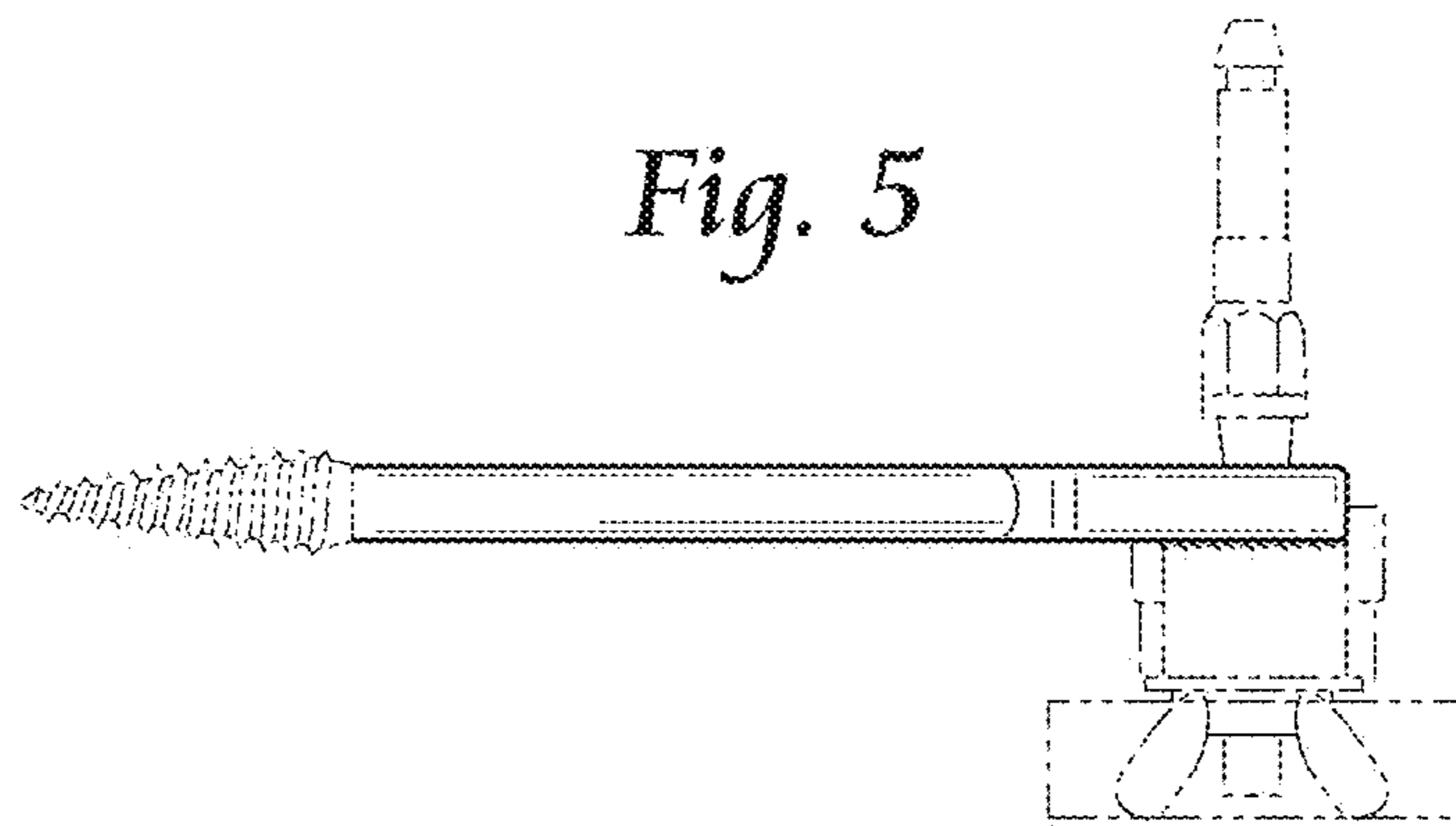


Fig. 5

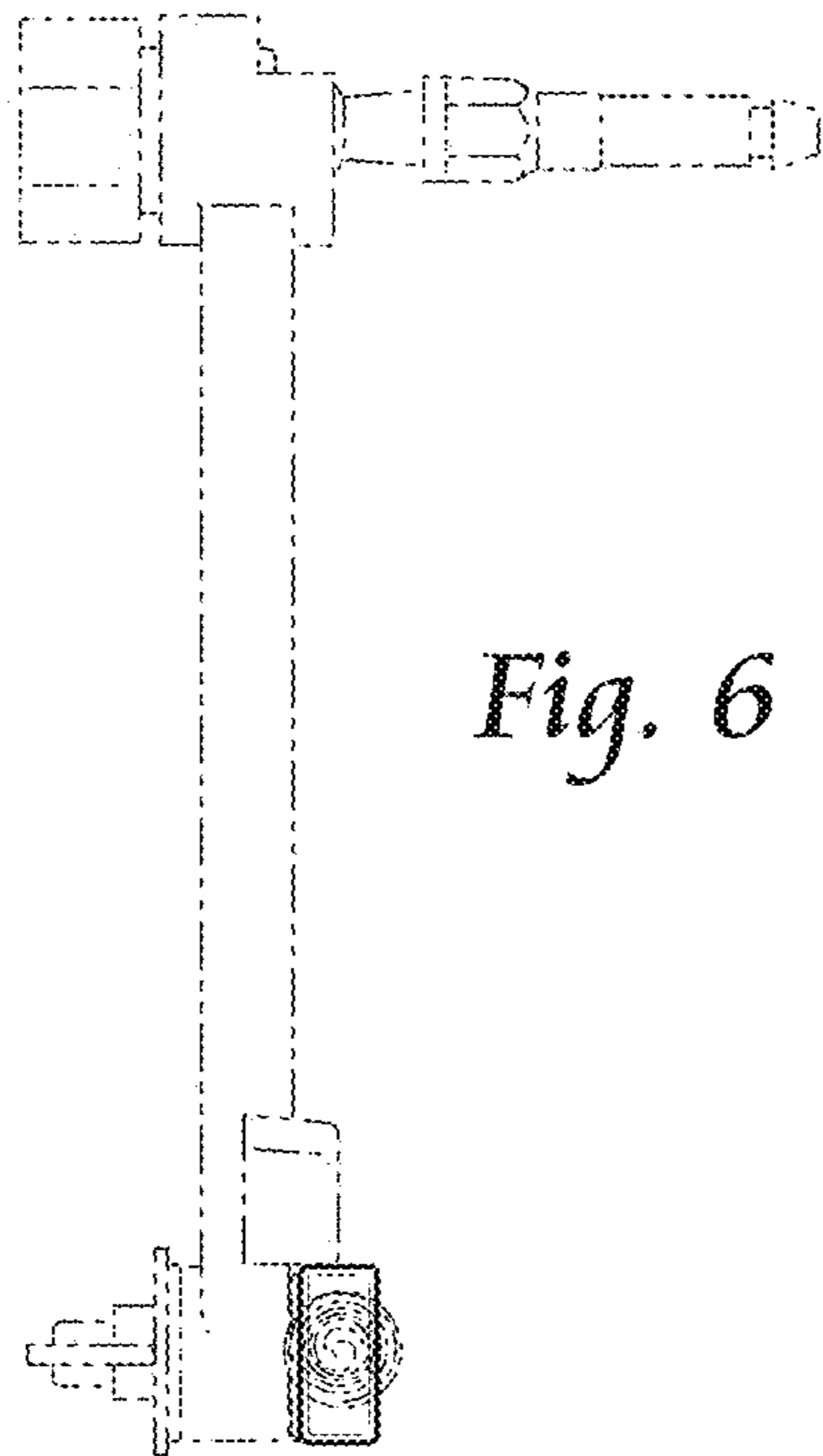


Fig. 6

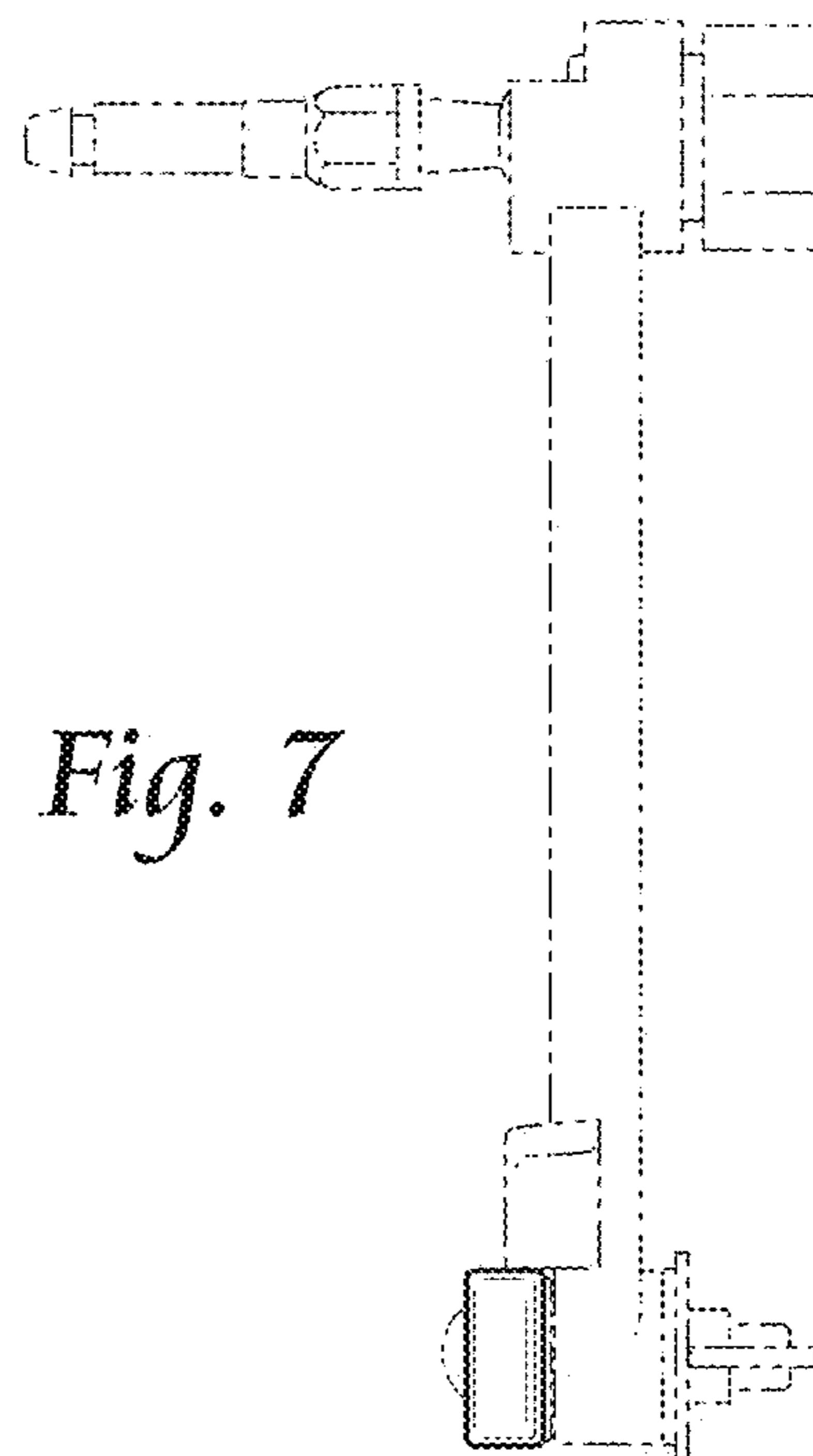


Fig. 7

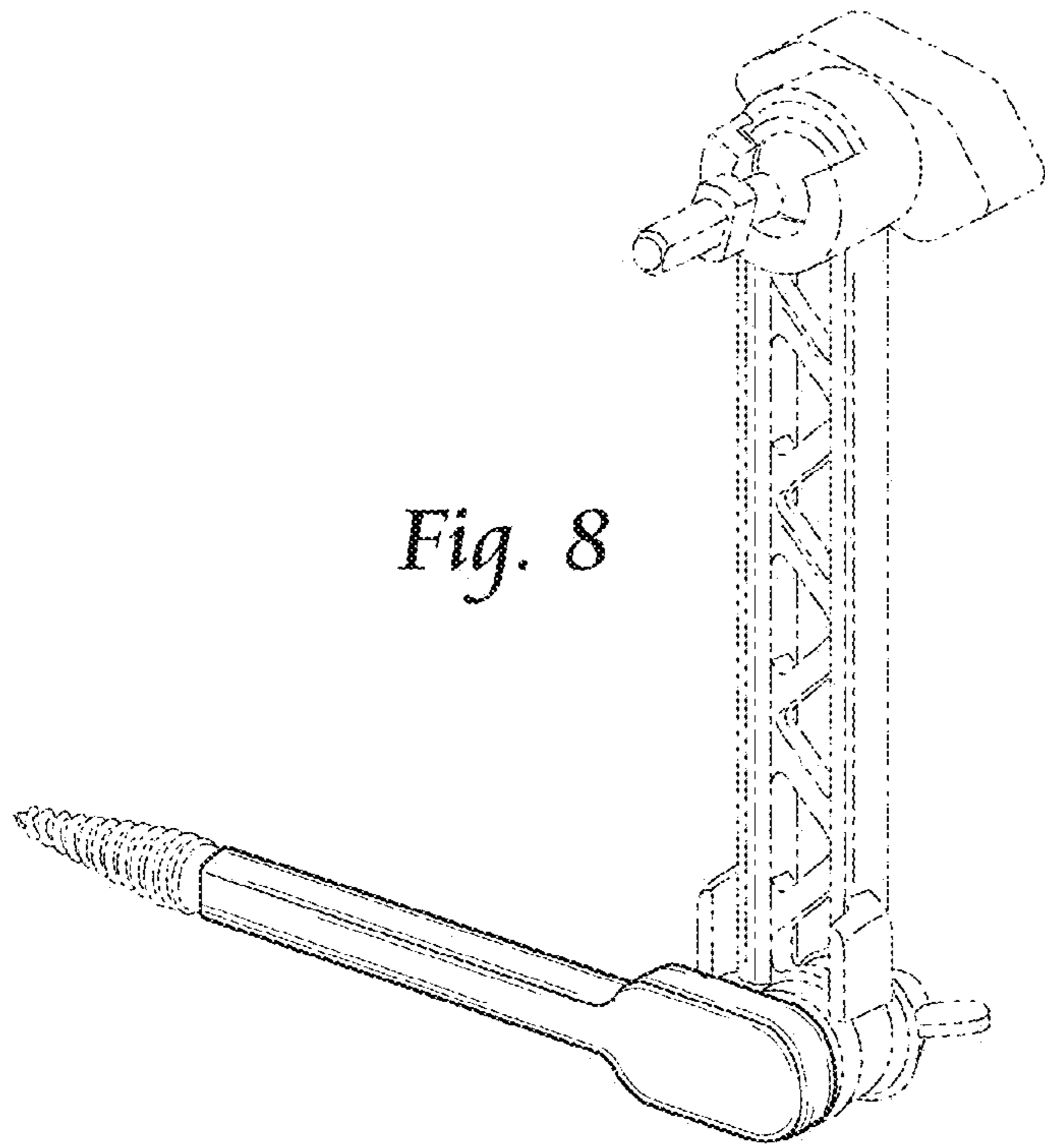


Fig. 8

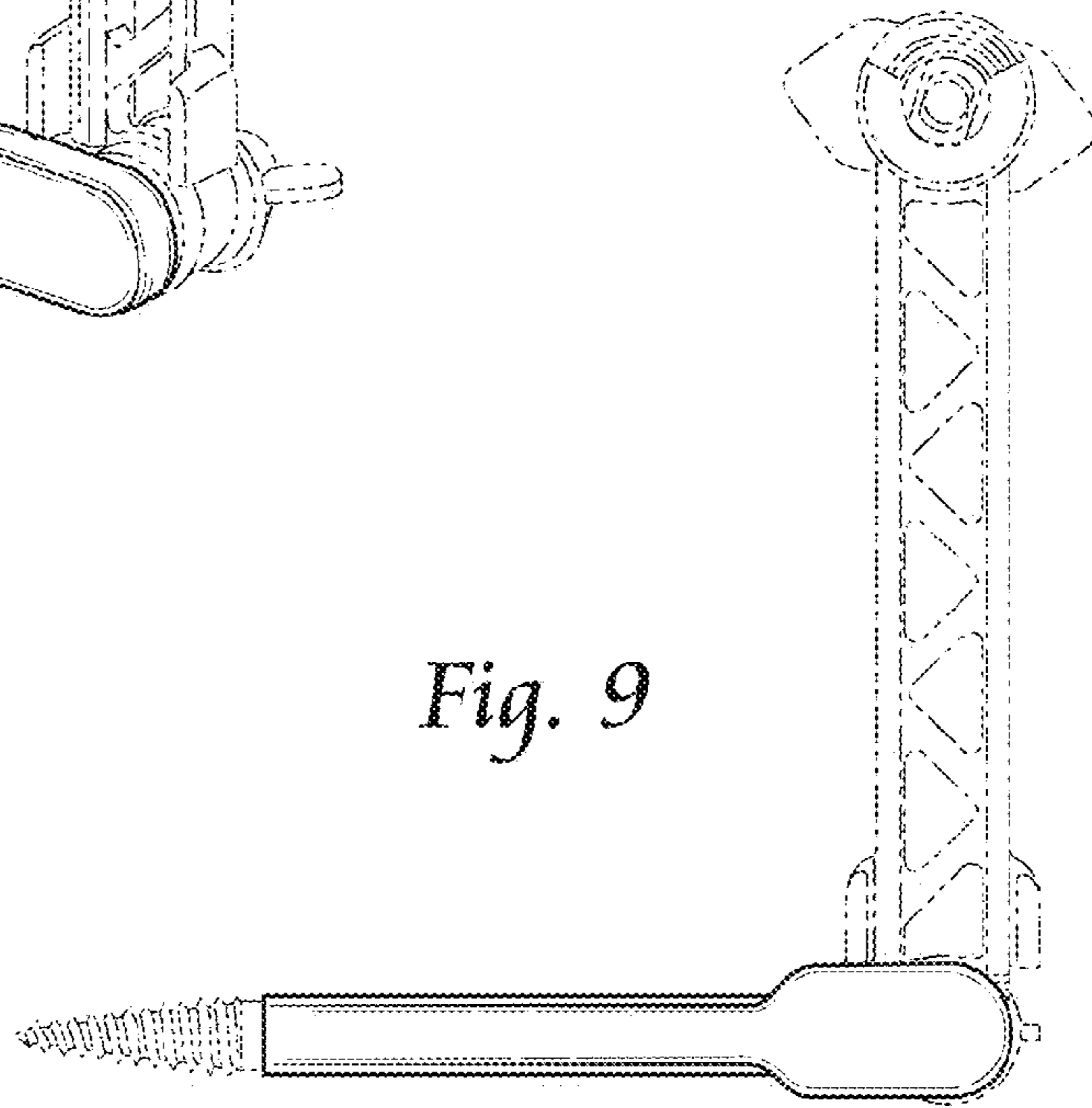


Fig. 9

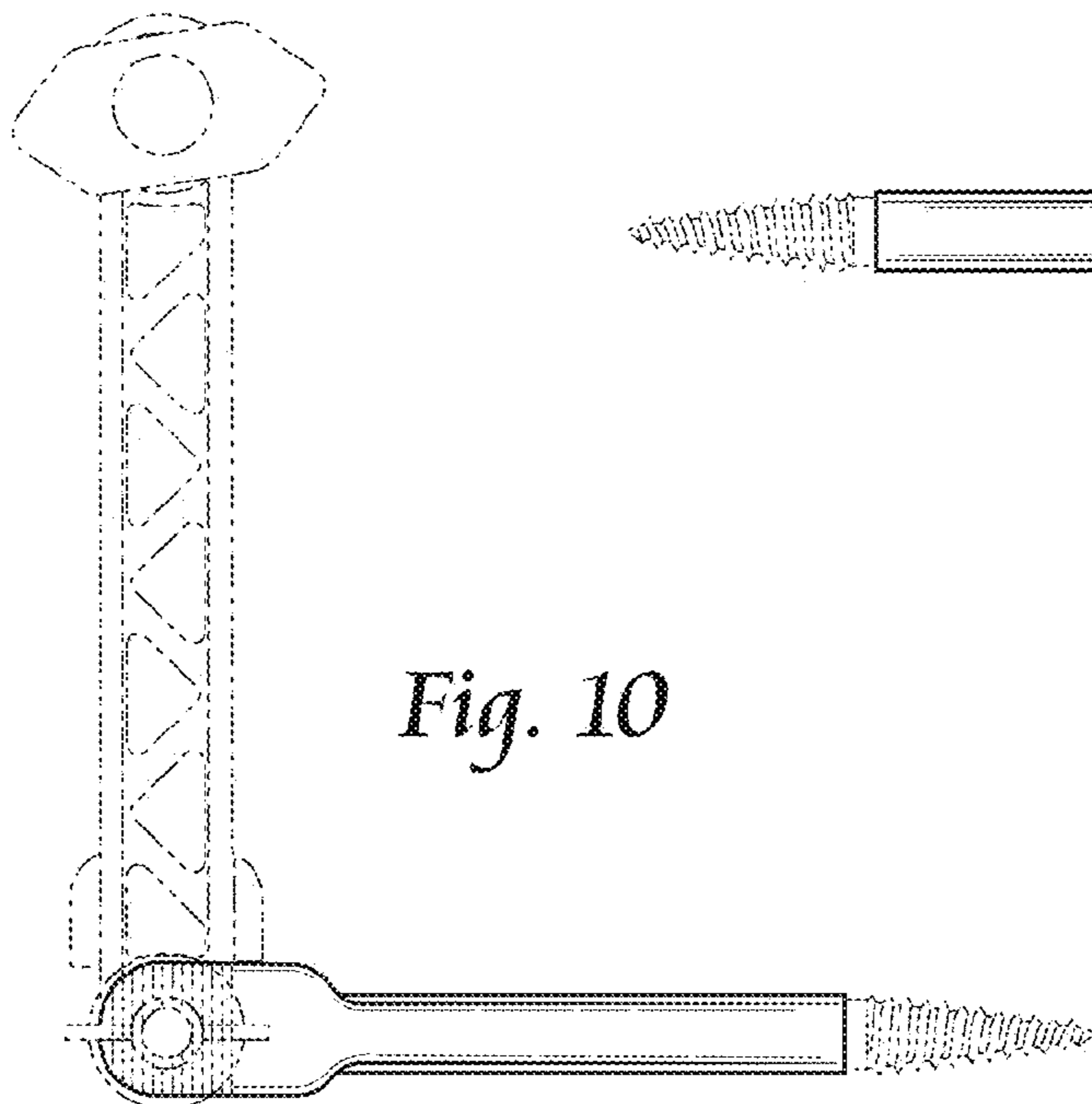


Fig. 10

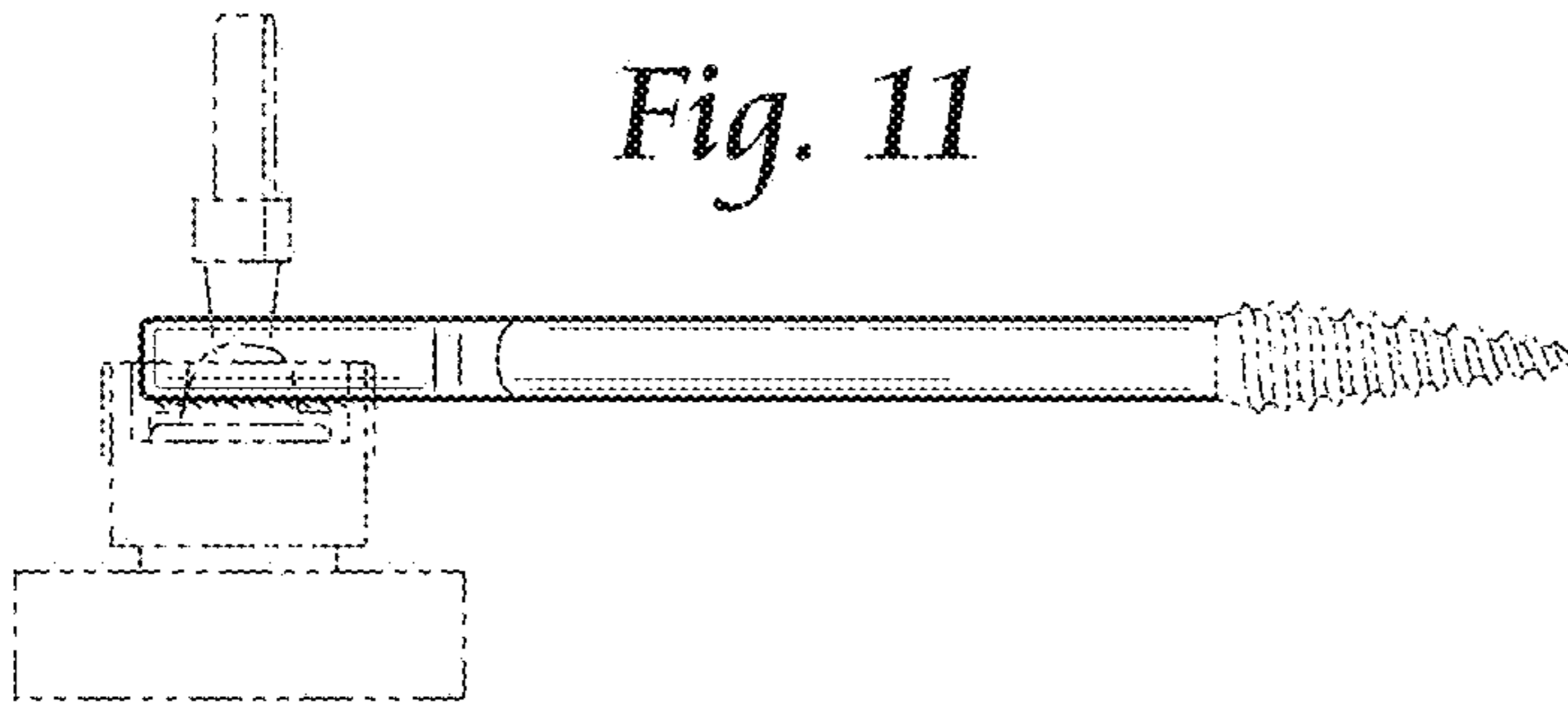


Fig. 11

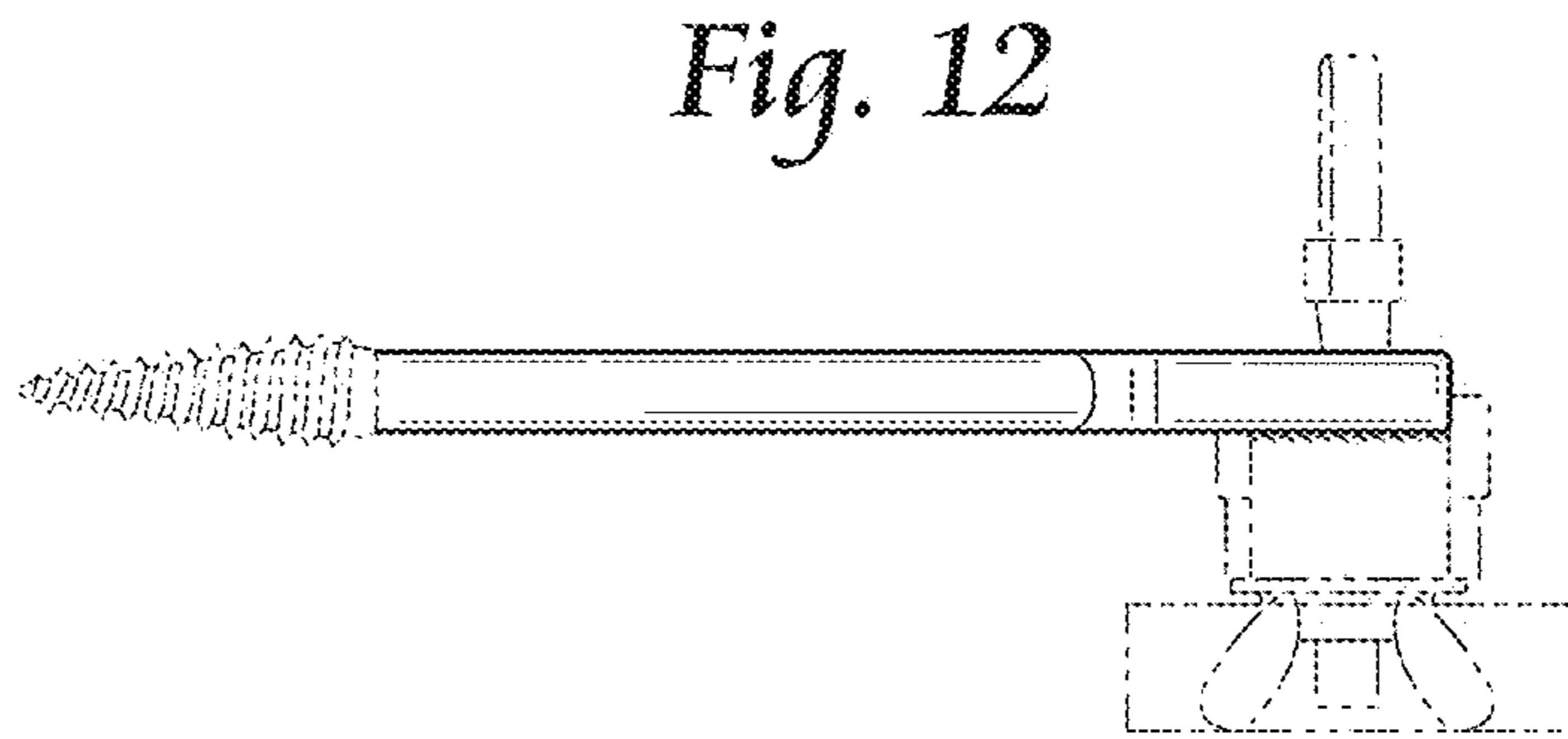


Fig. 12

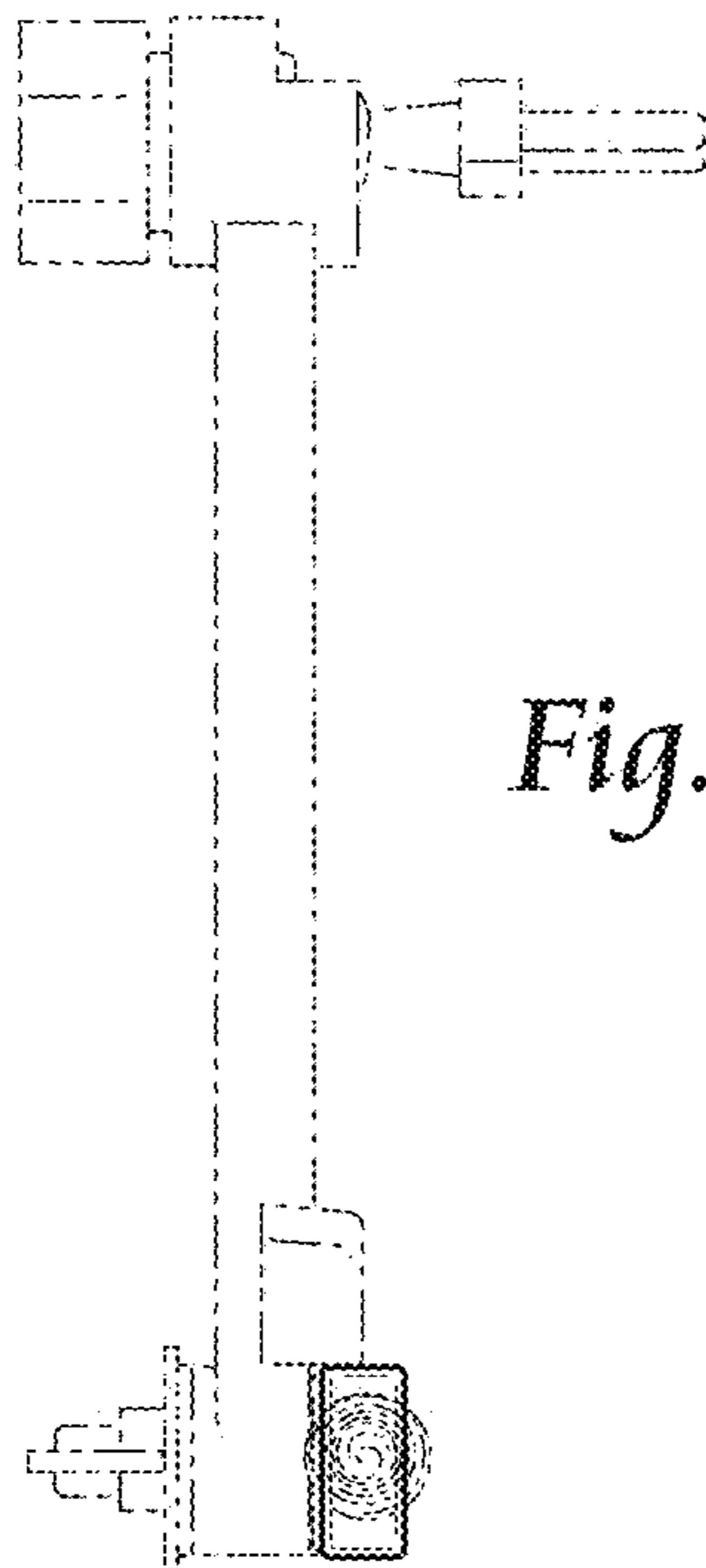


Fig. 13

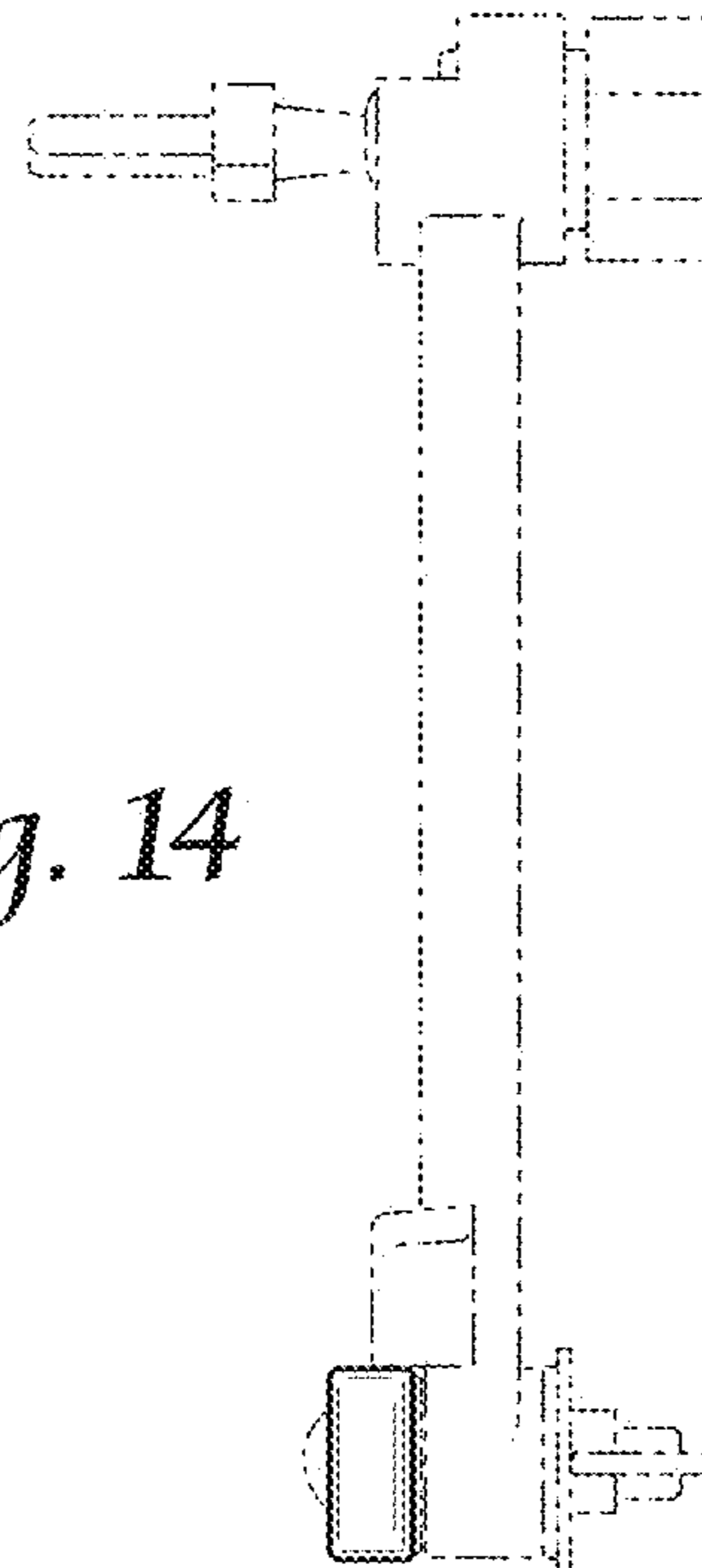


Fig. 14