



US00D757842S

(12) **United States Design Patent**
Harrison et al.

(10) **Patent No.:** **US D757,842 S**
(45) **Date of Patent:** **** May 31, 2016**

(54) **CAMERA MOUNT**

(71) Applicant: **GoPro, Inc.**, San Mateo, CA (US)

(72) Inventors: **Ryan Harrison**, El Granada, CA (US);
Ross Thayer, San Jose, CA (US);
Arthur Kwun, Newark, CA (US); **Mark Costa**, Menlo Park, CA (US)

(73) Assignee: **GoPro, Inc.**, San Mateo, CA (US)

(**) Term: **14 Years**

(21) Appl. No.: **29/525,956**

(22) Filed: **May 5, 2015**

(51) **LOC (10) Cl.** **16-05**

(52) **U.S. Cl.**
USPC **D16/242**

(58) **Field of Classification Search**
USPC D16/134, 136, 208, 213–219, 235,
D16/237–245, 250; D14/203.4, 218, 224,
D14/250–253, 345, 440, 449; D8/363, 373,
D8/394
CPC G03B 17/02–17/04; G03B 17/14;
G03B 17/56; G03B 17/561–17/568; G03B
21/20–21/2066; G03B 15/041–15/0436;
G02B 7/02–7/04; G02B 7/14; H04N
5/2251–5/2554; F16M 11/02; F16M 11/20;
F16M 11/40

See application file for complete search history.

(56) **References Cited**

U.S. PATENT DOCUMENTS

D209,013 S * 10/1967 McElroy D8/383
D366,887 S * 2/1996 Wood D16/242
D372,189 S * 7/1996 Andis D28/73
D395,996 S * 7/1998 Fischer D8/349
D399,230 S * 10/1998 Tenne D16/237
5,842,069 A 11/1998 Konno
5,887,375 A 3/1999 Watson
6,315,180 B1 11/2001 Watkins

6,654,235 B2 11/2003 Imsand
D483,789 S * 12/2003 Dordick D16/242
D506,493 S * 6/2005 Naito D13/133
D602,974 S * 10/2009 Zen D16/242
D631,081 S * 1/2011 Richter D16/242
8,014,656 B2 9/2011 Woodman
D649,576 S * 11/2011 Jannard D16/242
8,199,251 B2 6/2012 Woodman

(Continued)

FOREIGN PATENT DOCUMENTS

EP 0845399 A2 6/1998

OTHER PUBLICATIONS

GoPro, Inc., “Grab Bag of Mounts,” 2014, 2 Pages,
[online][Archived on web.archive.org on Mar. 29, 2014][Retrieved on
Aug. 31, 2015] Retrieved from the internet <URL:https://web.
archive.org/web/20140329112413/http://gopro.com/camera-
mounts/grab-bag-of-mounts#features>.

(Continued)

Primary Examiner — Susan Bennett Hattan

Assistant Examiner — Vy Koenig

(74) *Attorney, Agent, or Firm* — Fenwick & West LLP

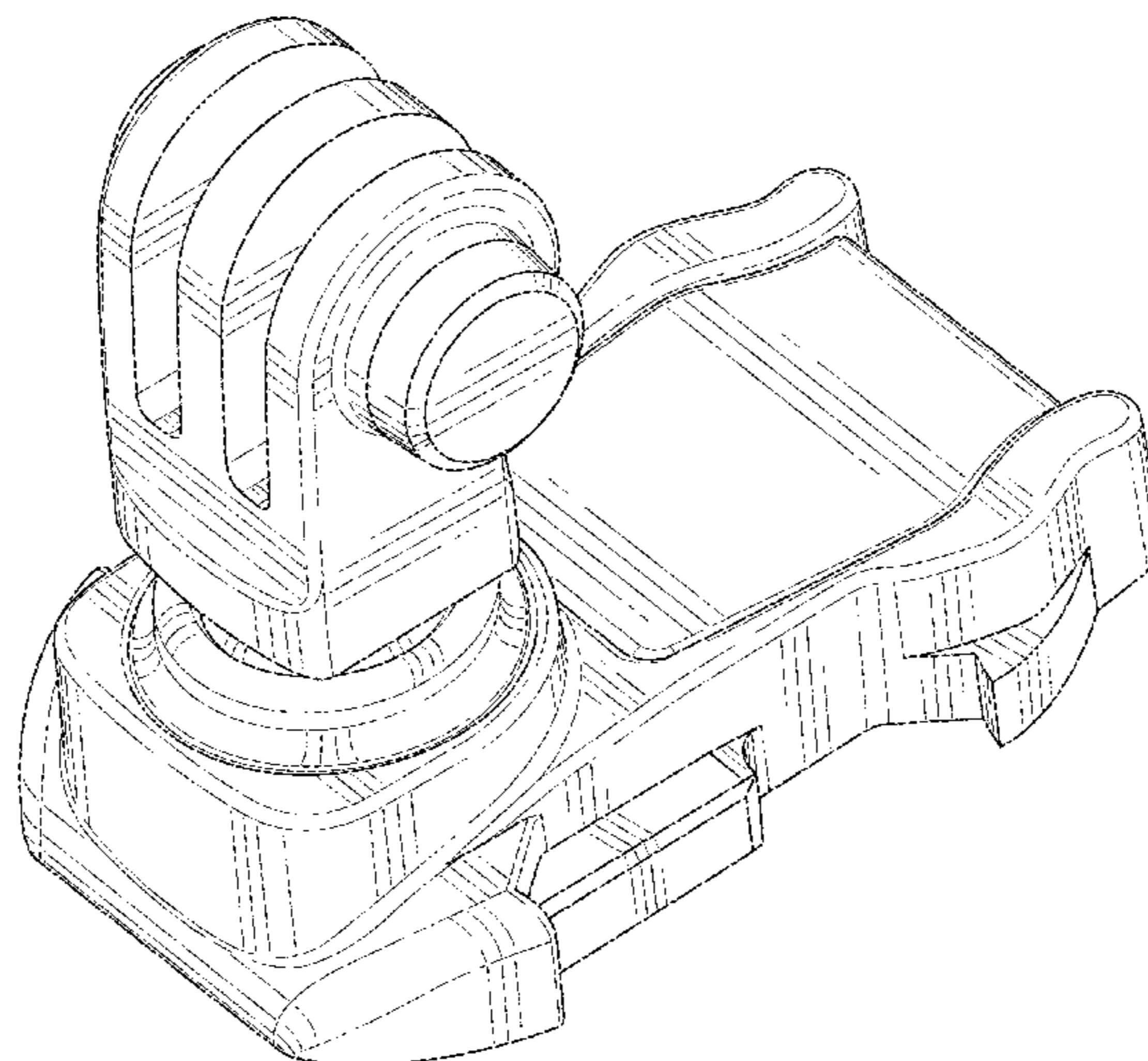
(57) **CLAIM**

The ornamental design for a camera mount, as shown and described.

DESCRIPTION

FIG. 1 is a front, top, and right side perspective view of a camera mount;
FIG. 2 is a rear, bottom, and left side perspective view thereof;
FIG. 3 is a front elevational view thereof;
FIG. 4 is a rear elevational view thereof;
FIG. 5 is a left side elevational view thereof;
FIG. 6 is a right side elevational view thereof;
FIG. 7 is a top plan view thereof; and,
FIG. 8 is a bottom plan view thereof.

1 Claim, 8 Drawing Sheets



(56)

References Cited

OTHER PUBLICATIONS

U.S. PATENT DOCUMENTS

8,325,270 B2 12/2012 Woodman
D675,661 S * 2/2013 Jannard D16/242
D722,864 S * 2/2015 Greenthal D8/382
D722,865 S * 2/2015 Greenthal D8/382
9,033,596 B2 5/2015 Samuels
2014/0027591 A1 1/2014 Fountain

PCT International Search Report for Written Opinion for PCT/

US2013/062061, Mar. 3, 2014, 15 Pages.

* cited by examiner

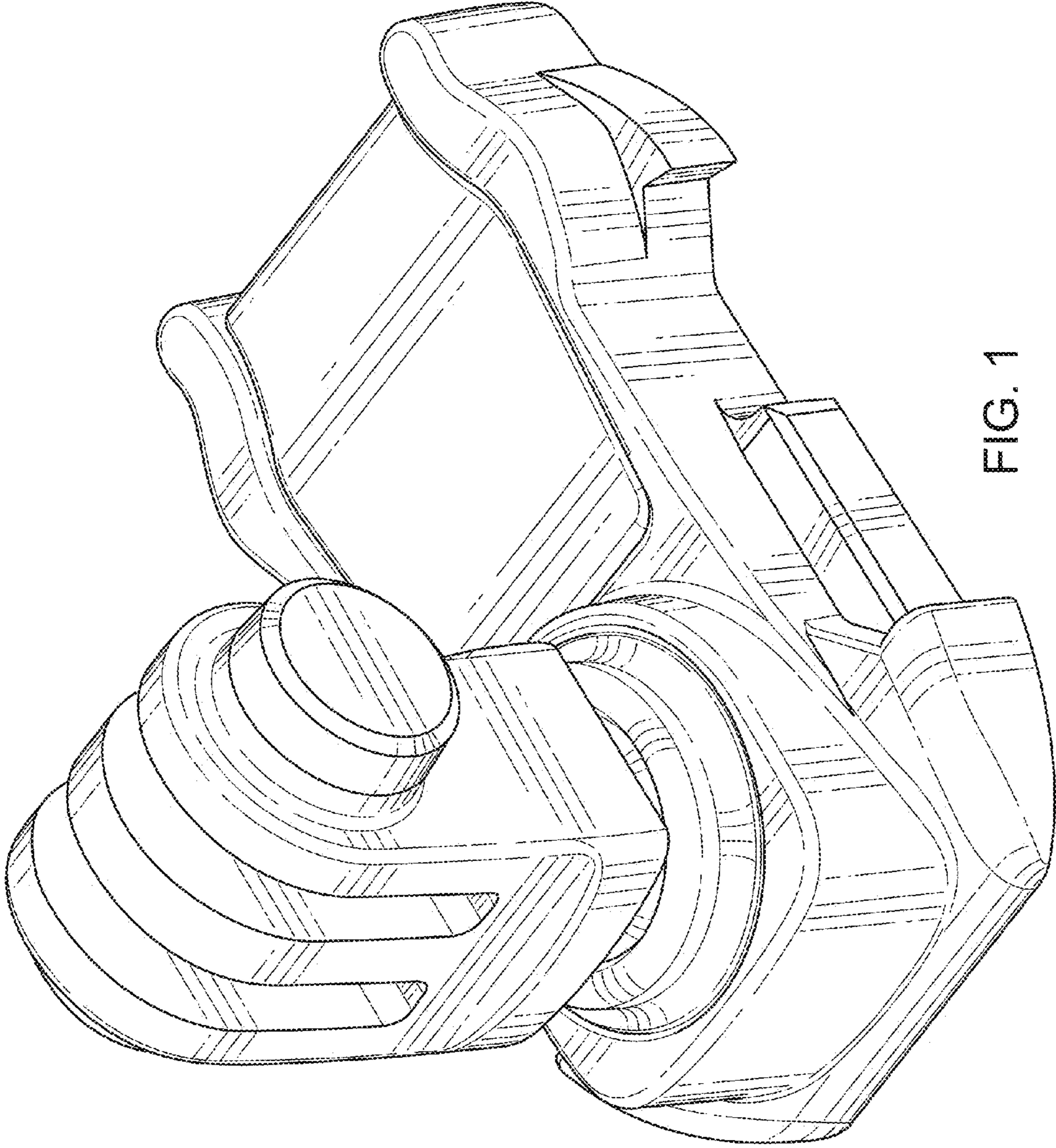


FIG. 1

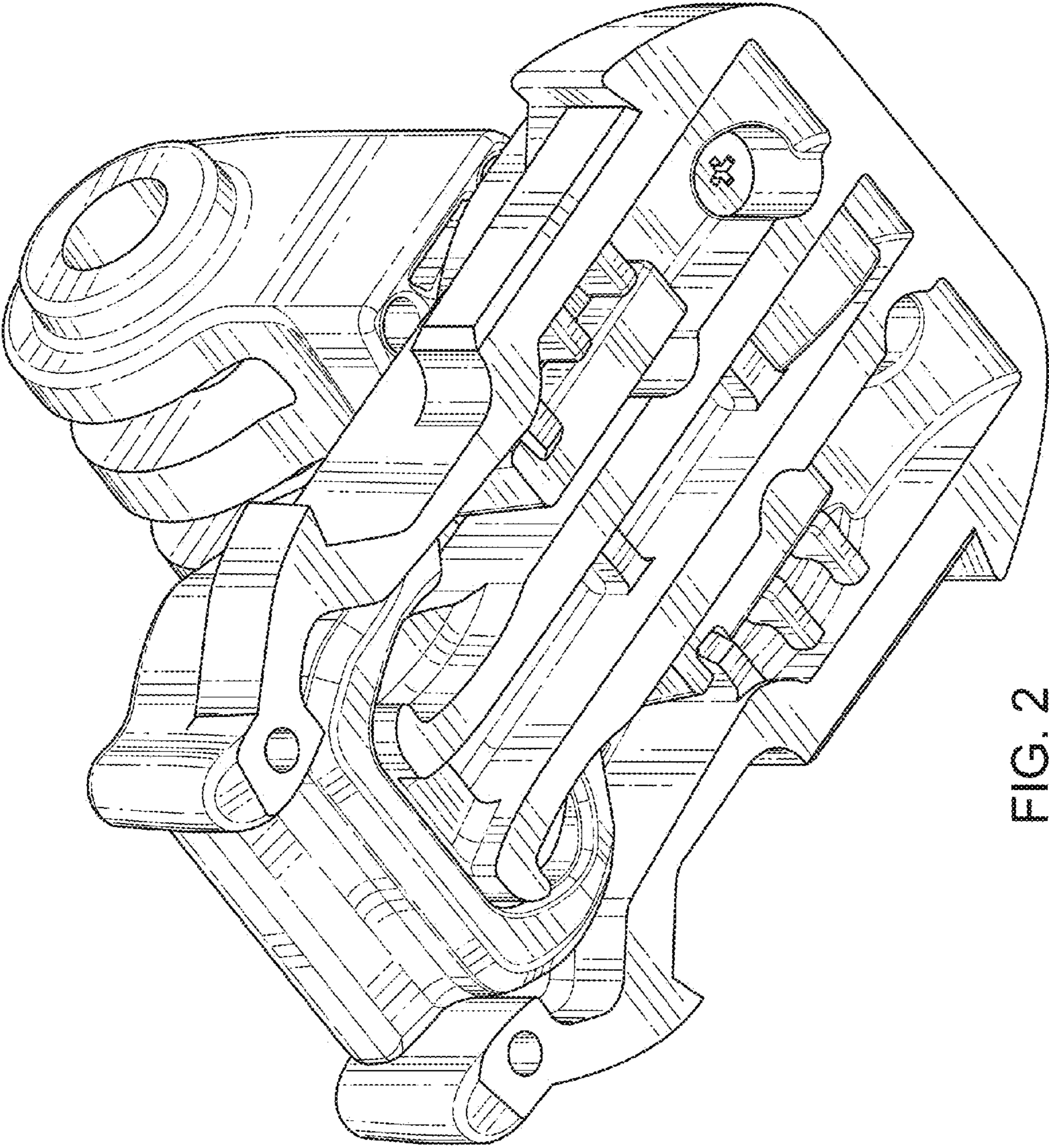


FIG. 2

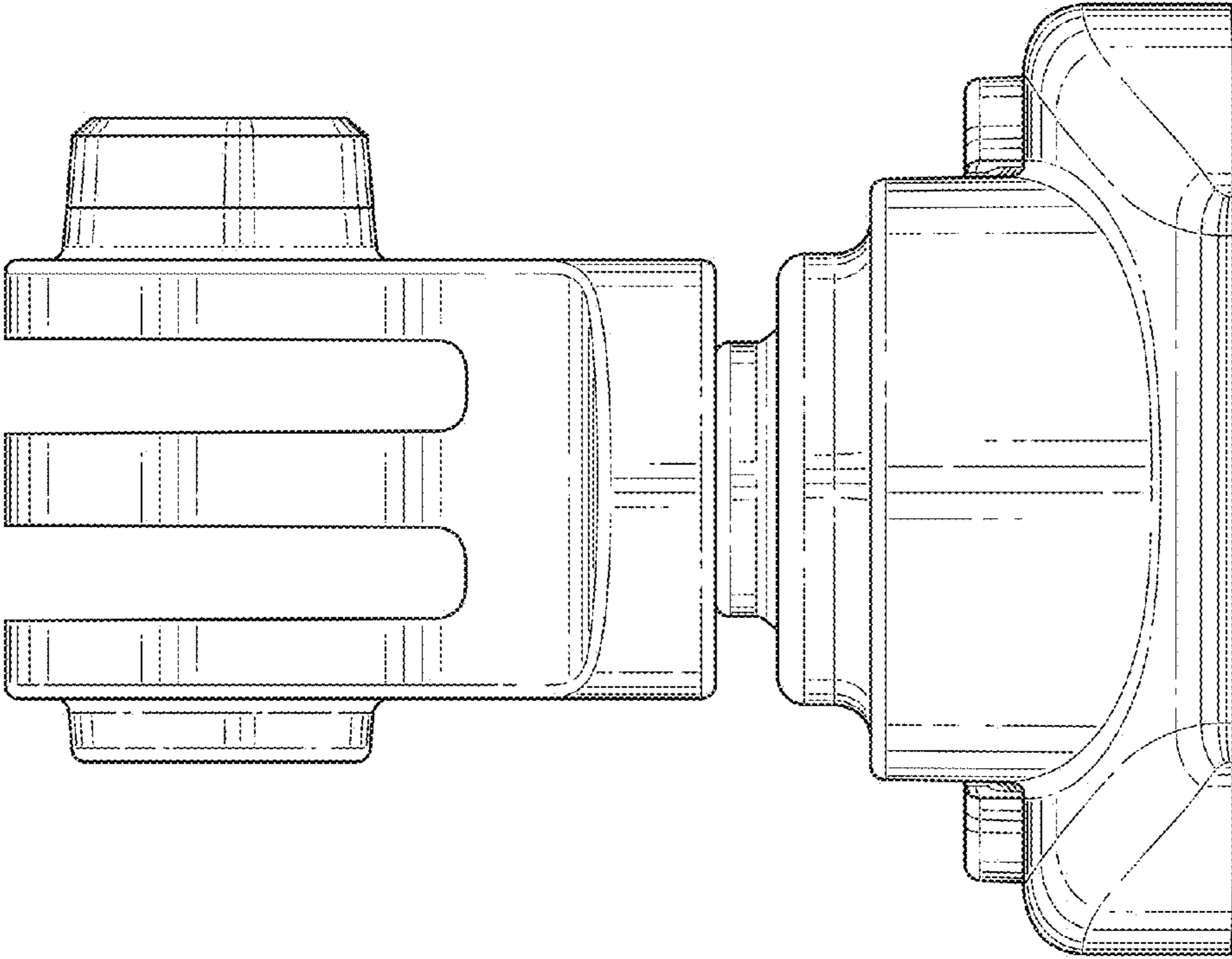


FIG. 3

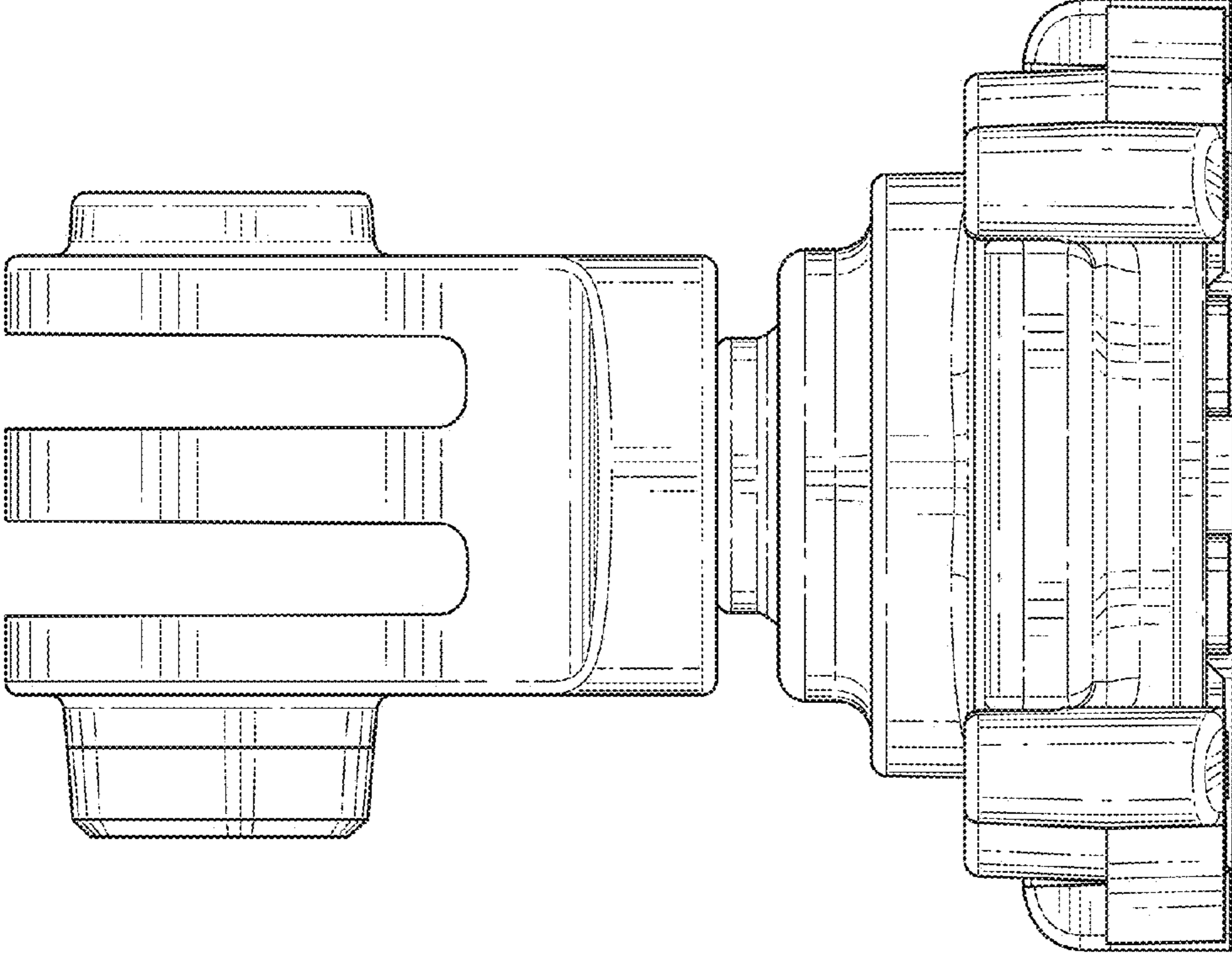


FIG. 4

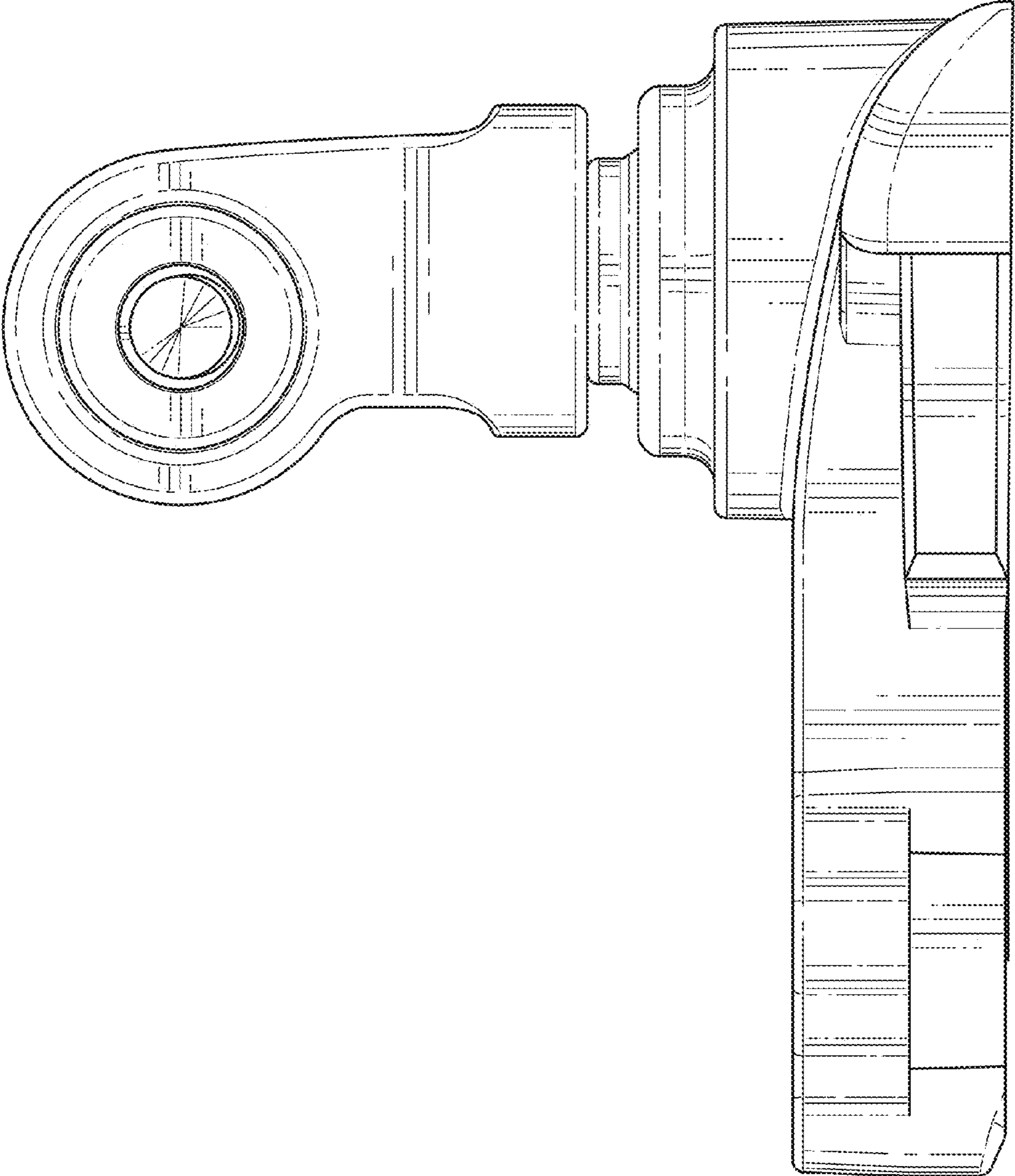


FIG. 5

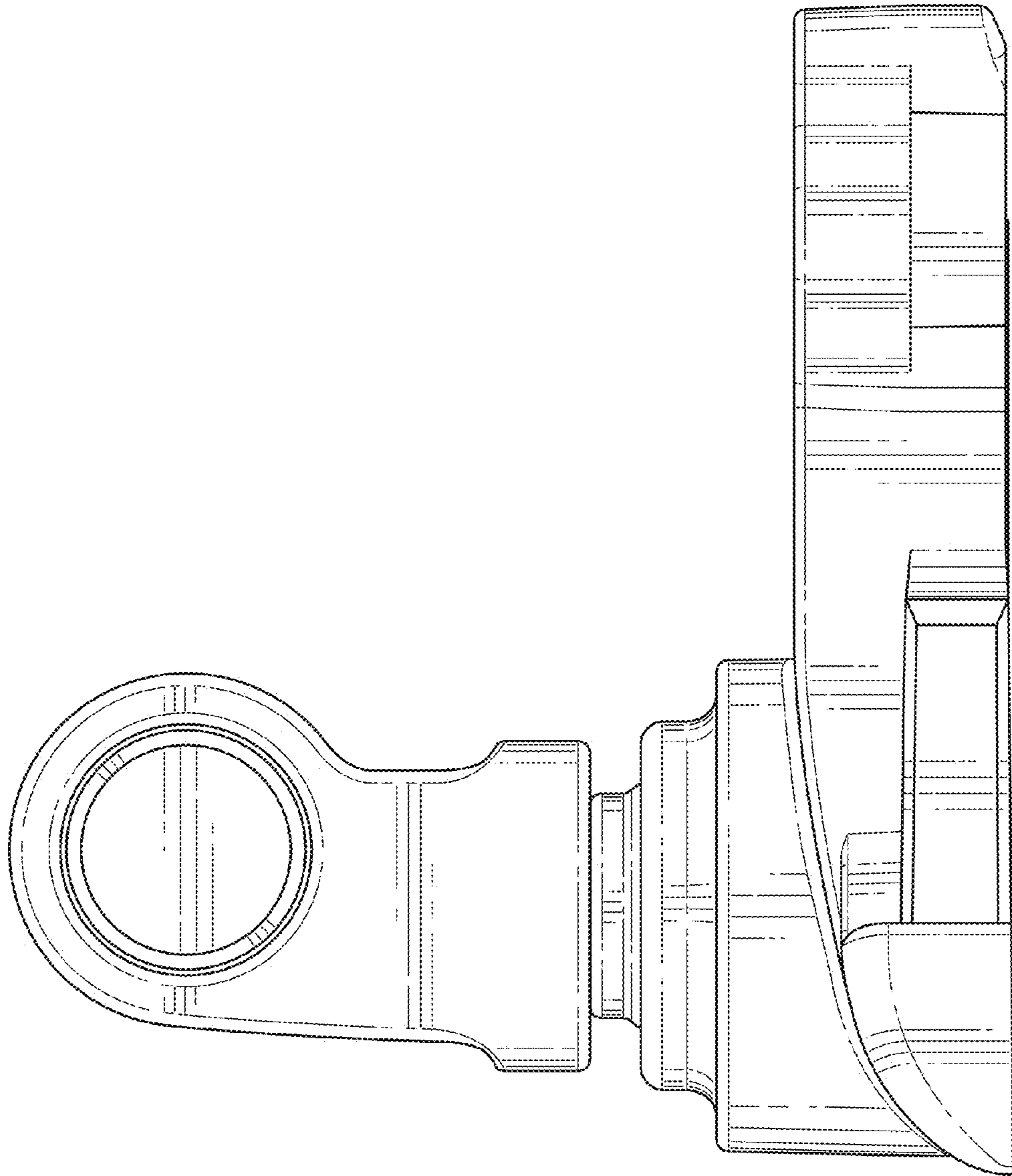


FIG. 6

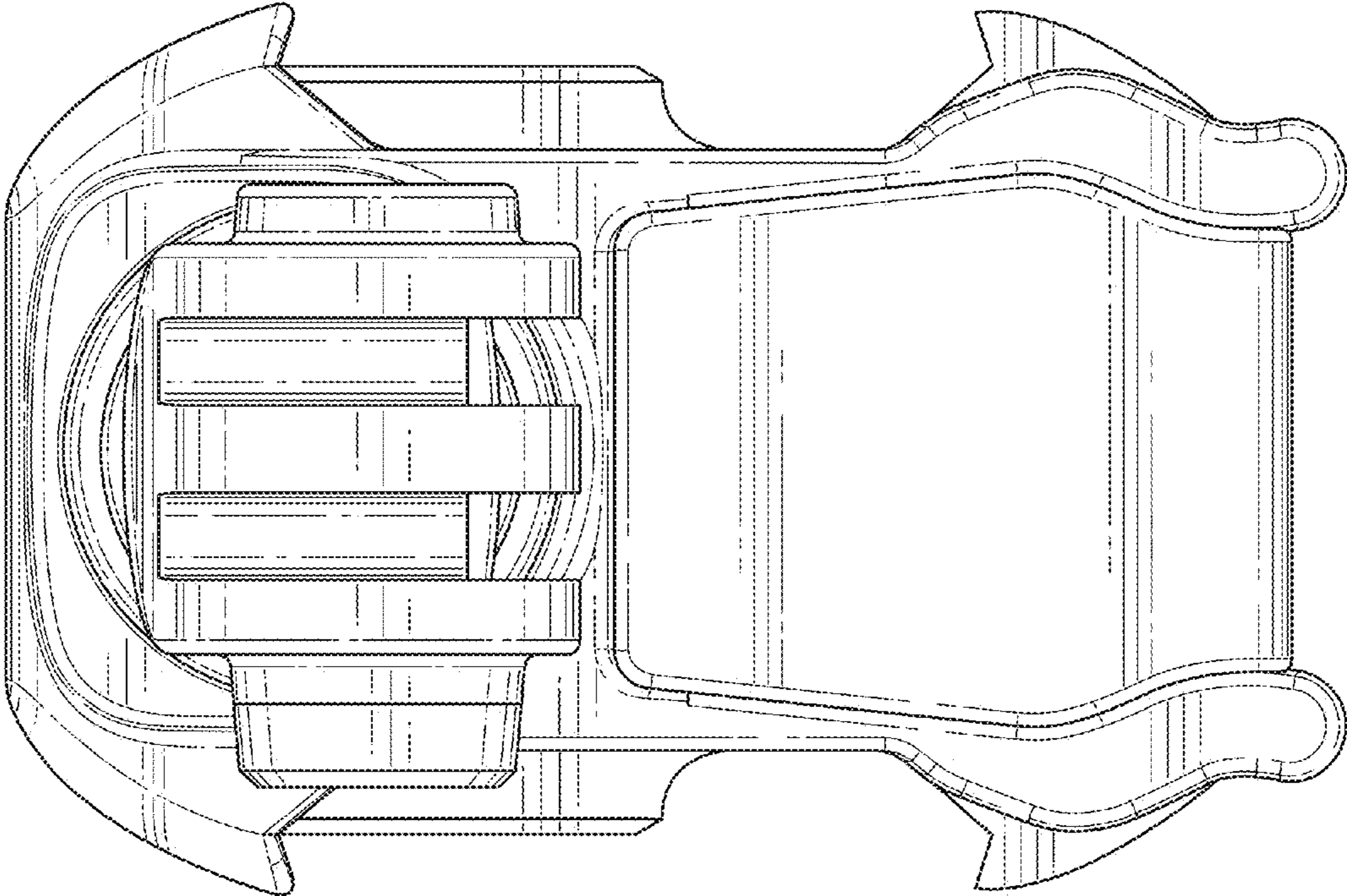


FIG. 7

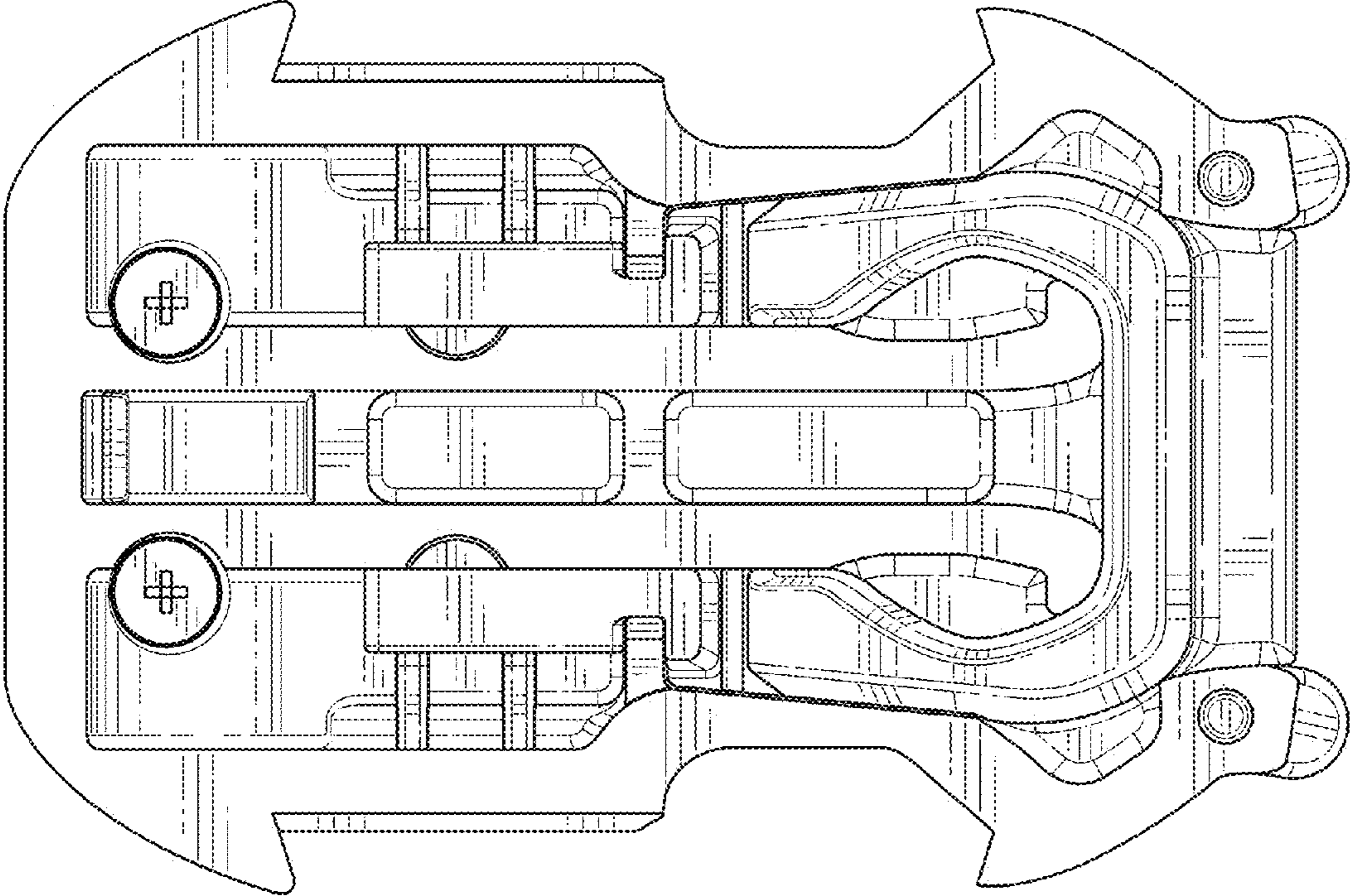


FIG. 8