



US00D757841S

(12) **United States Design Patent**
Chuang

(10) **Patent No.:** **US D757,841 S**

(45) **Date of Patent:** **** May 31, 2016**

(54) **CLAMP FOR DIGITAL PRODUCTS**

(71) Applicant: **EHOMA INDUSTRIAL CORPORATION**, Taichung (TW)

(72) Inventor: **Chun-Huan Chuang**, Taichung (TW)

(73) Assignee: **EHOMA INDUSTRIAL CORPORATION**, Taichung (TW)

(**) Term: **14 Years**

(21) Appl. No.: **29/486,103**

(22) Filed: **Mar. 26, 2014**

(30) **Foreign Application Priority Data**

Dec. 9, 2013 (TW) 102307968

(51) **LOC (10) Cl.** **16-05**

(52) **U.S. Cl.**
USPC **D16/242**

(58) **Field of Classification Search**
USPC D8/395; D16/237, 242-245, 250;
248/229.15, 231.51, 231.71, 288.31;
269/128; 352/243; 396/218, 419, 420,
396/422, 425, 428

See application file for complete search history.

(56) **References Cited**

U.S. PATENT DOCUMENTS

5,664,750 A * 9/1997 Cohen 248/231.71
D411,220 S * 6/1999 Surabian D16/242

D564,567 S * 3/2008 Dordick D16/242
D704,245 S * 5/2014 Kim et al. D16/237
D707,283 S * 6/2014 Zhang D16/244
8,794,612 B2 * 8/2014 Chuang 269/128
8,893,701 B1 * 11/2014 Entrup 124/89
2012/0326375 A1 * 12/2012 Chuang 269/128
2014/0341556 A1 * 11/2014 Kestermann 396/419
2015/0108306 A1 * 4/2015 Chuang 248/231.51

* cited by examiner

Primary Examiner — Susan Bennett Hattan

Assistant Examiner — Leanne Was

(74) *Attorney, Agent, or Firm* — Muncy, Geissler, Olds & Lowe, P.C.

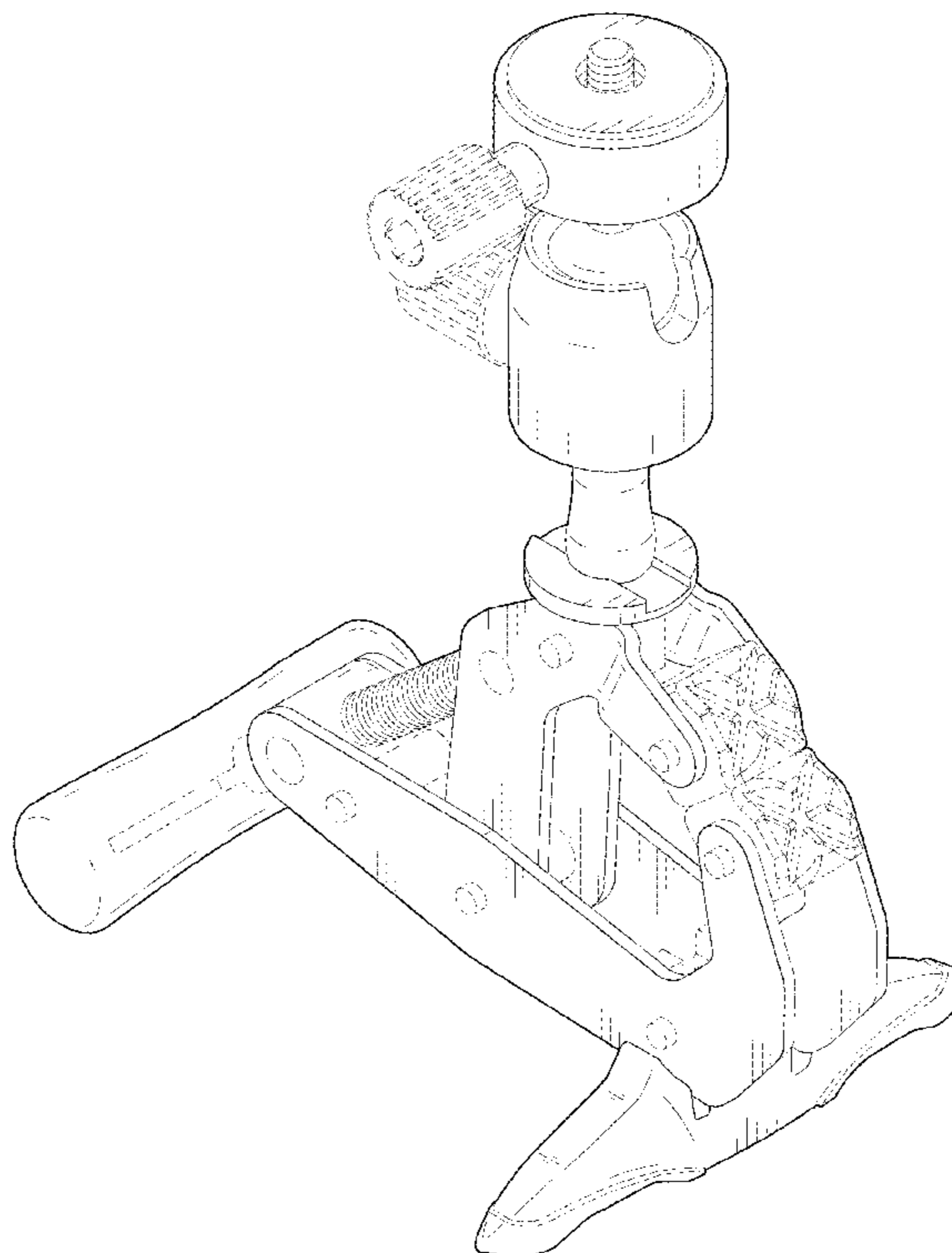
(57) **CLAIM**

The ornamental design for a “clamp for digital products,” as shown and described.

DESCRIPTION

FIG. 1 is a perspective view of a clamp for digital products showing our new design;
FIG. 2 is a front elevational view thereof;
FIG. 3 is a rear elevational view thereof;
FIG. 4 is a left side elevational view thereof;
FIG. 5 is a right side elevational view thereof;
FIG. 6 is a top plan view thereof;
FIG. 7 is a bottom plan view thereof; and,
FIG. 8 is a front elevational view in an applied status thereof.
The broken lines shown represent unclaimed subject matter and form no part of the claimed design.

1 Claim, 8 Drawing Sheets



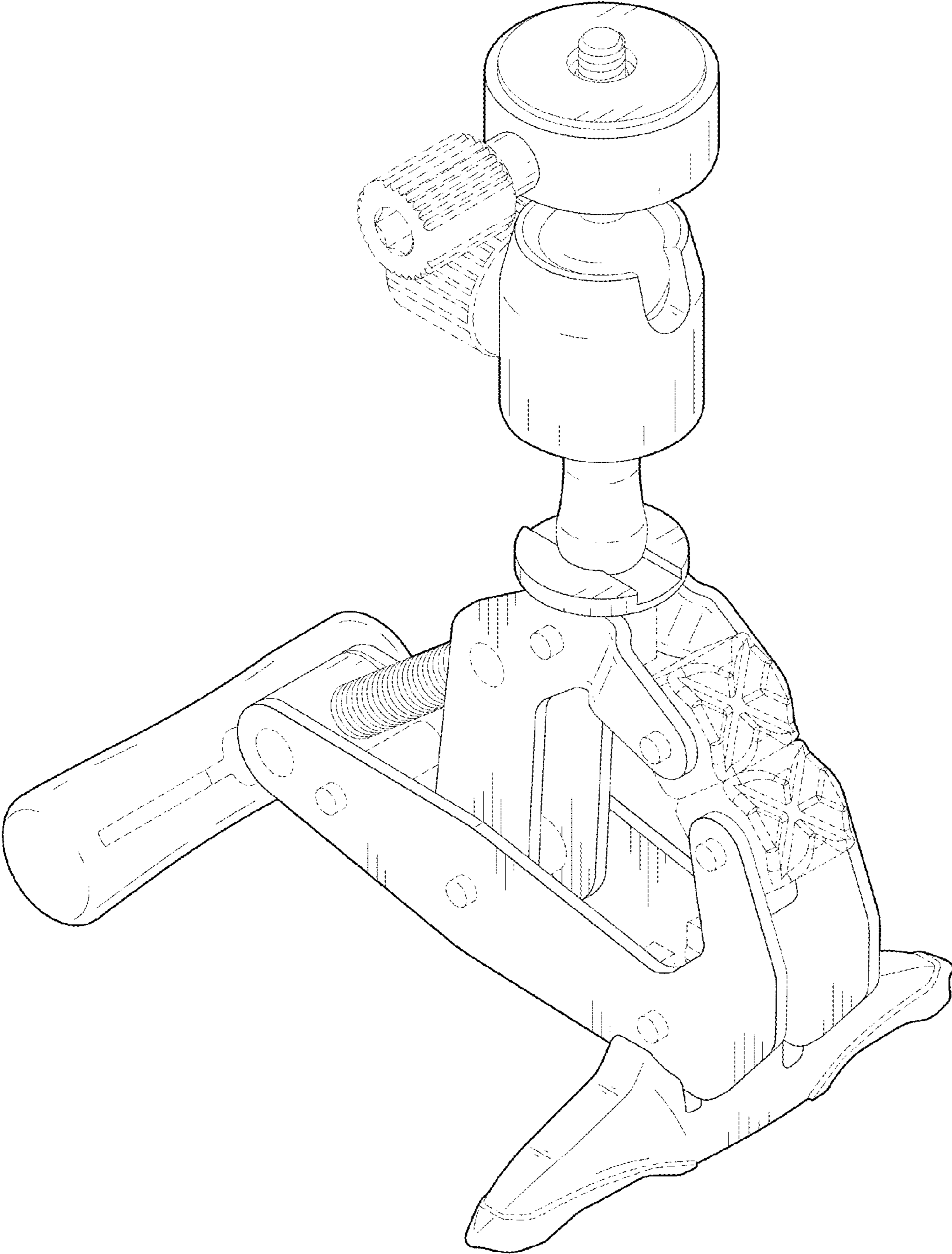


FIG. 1

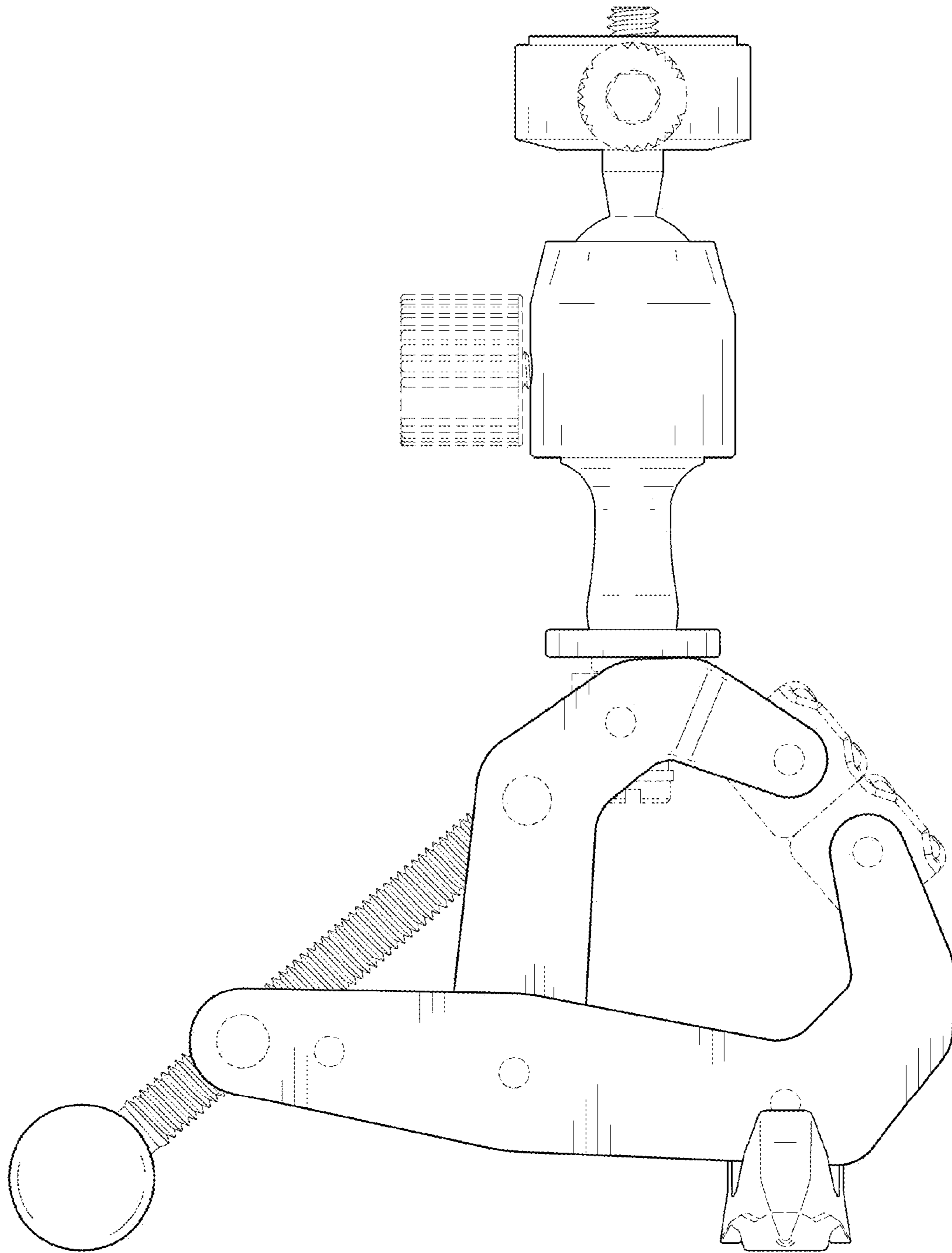


FIG. 2

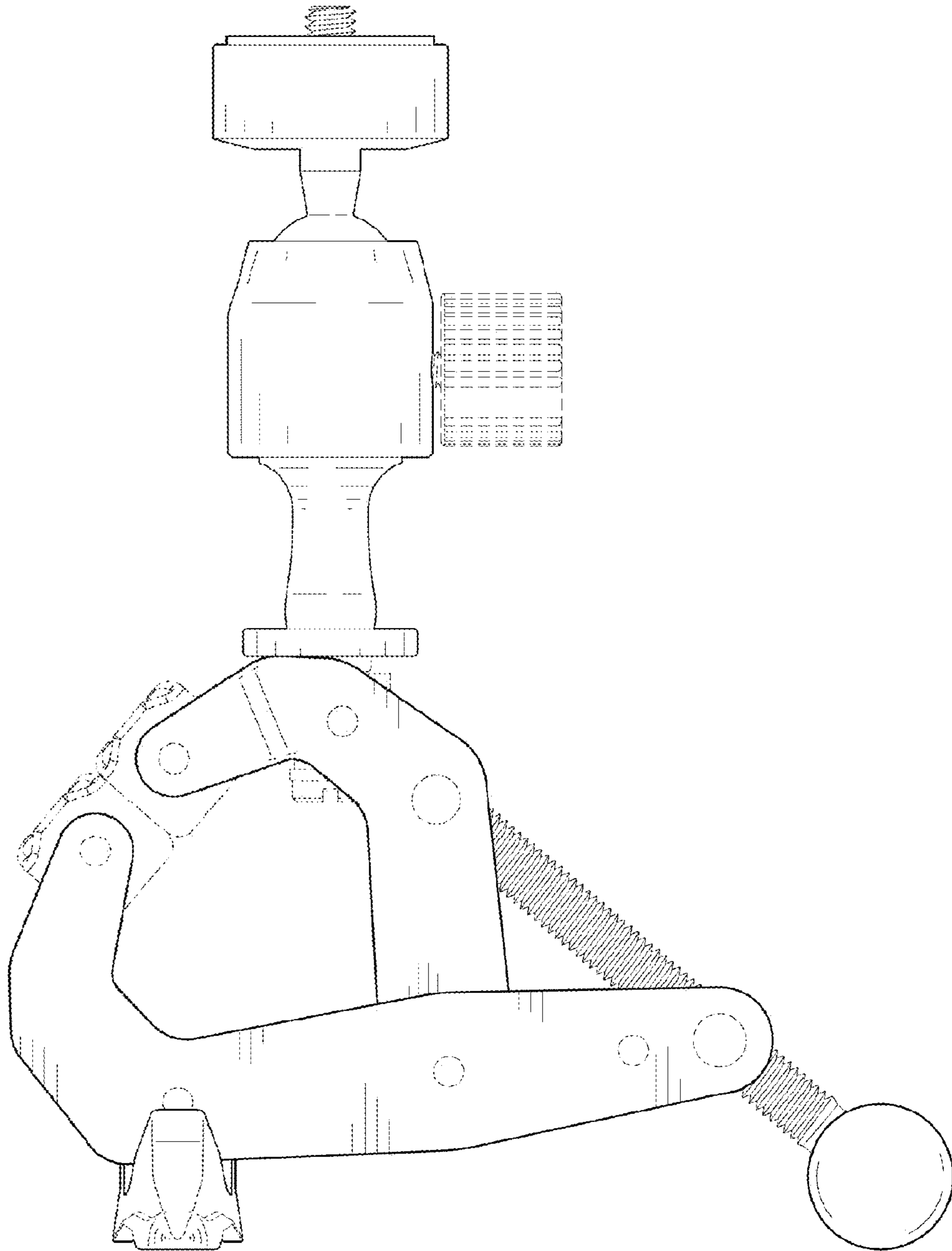


FIG. 3

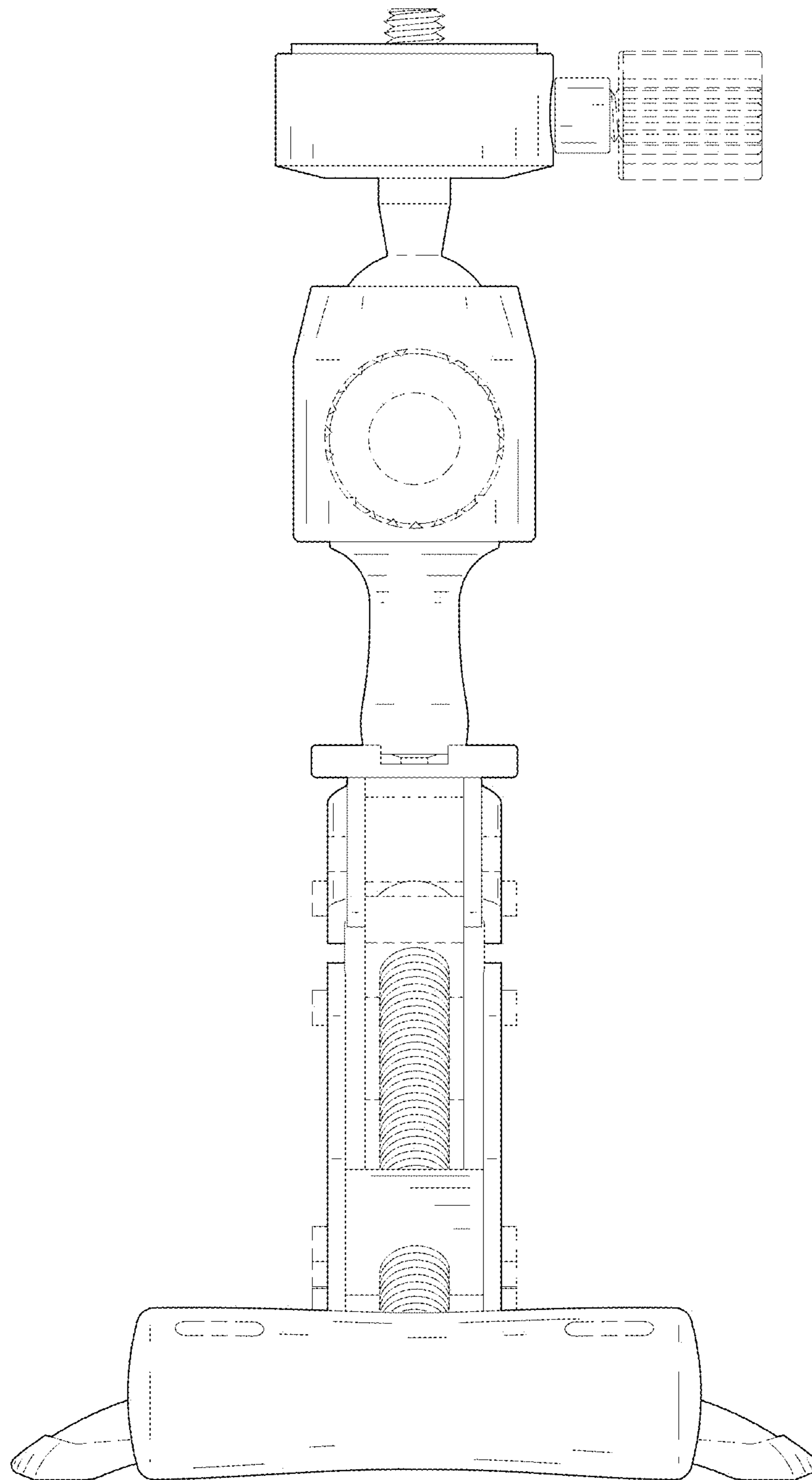


FIG. 4

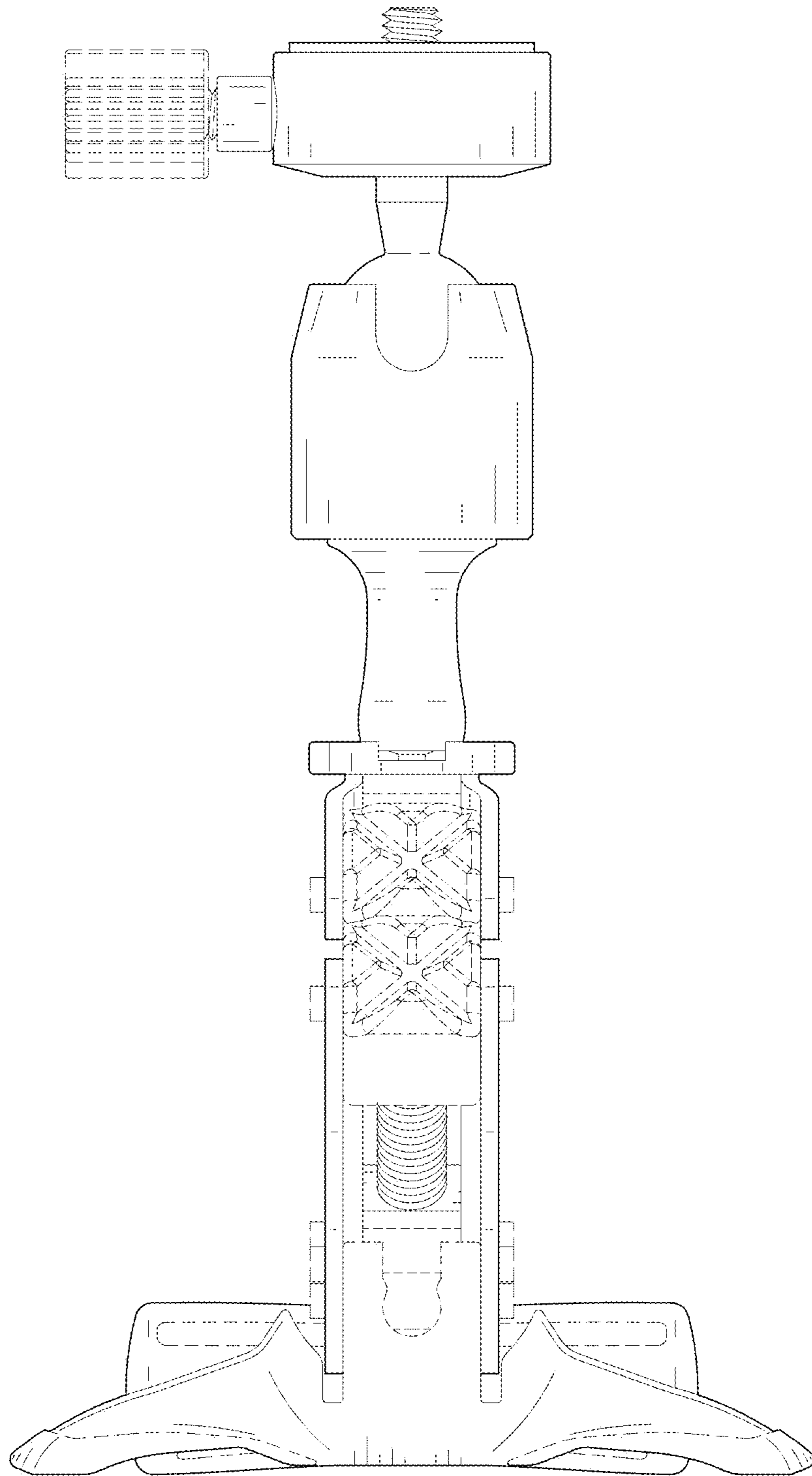


FIG. 5

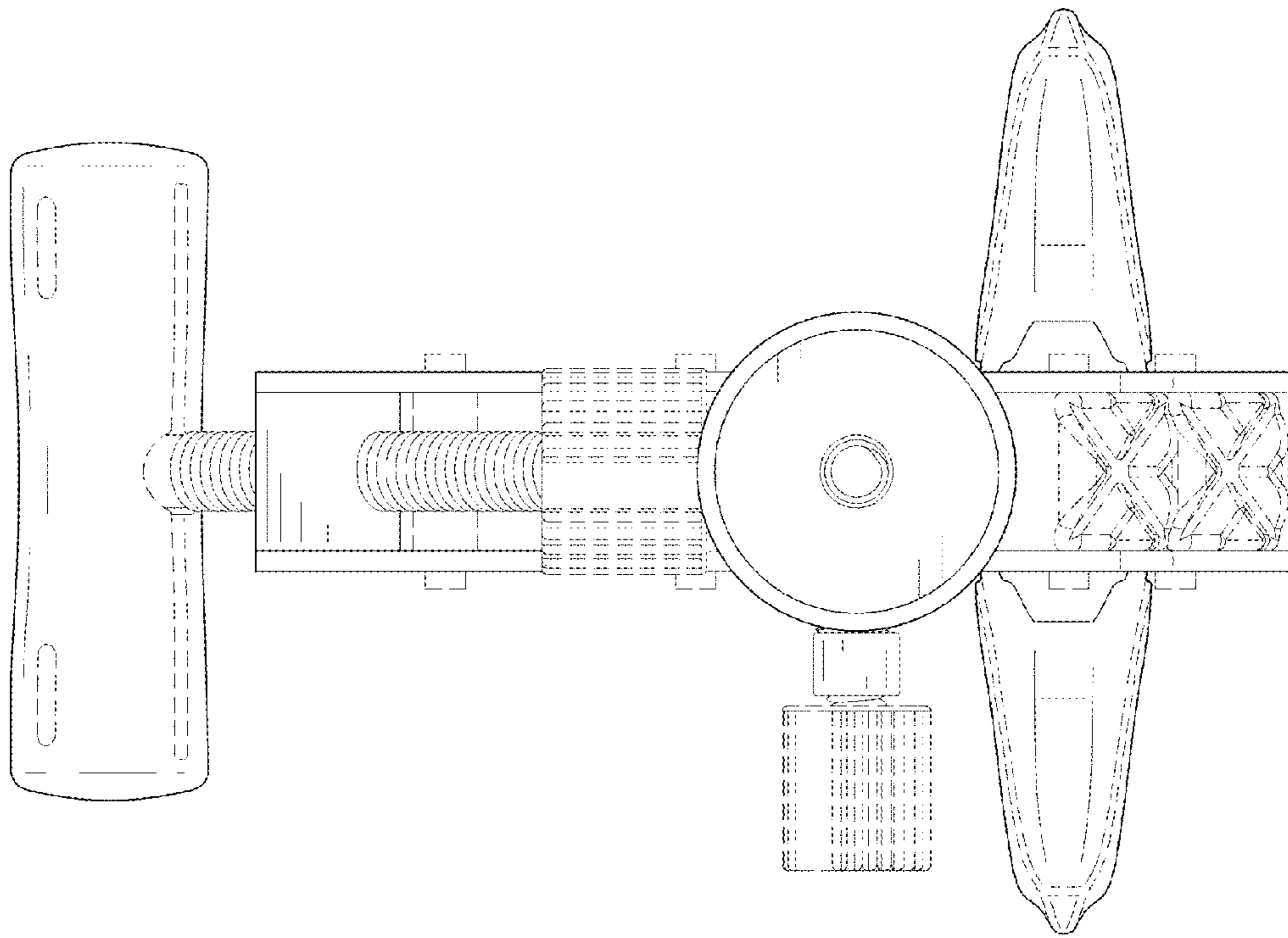


FIG. 6

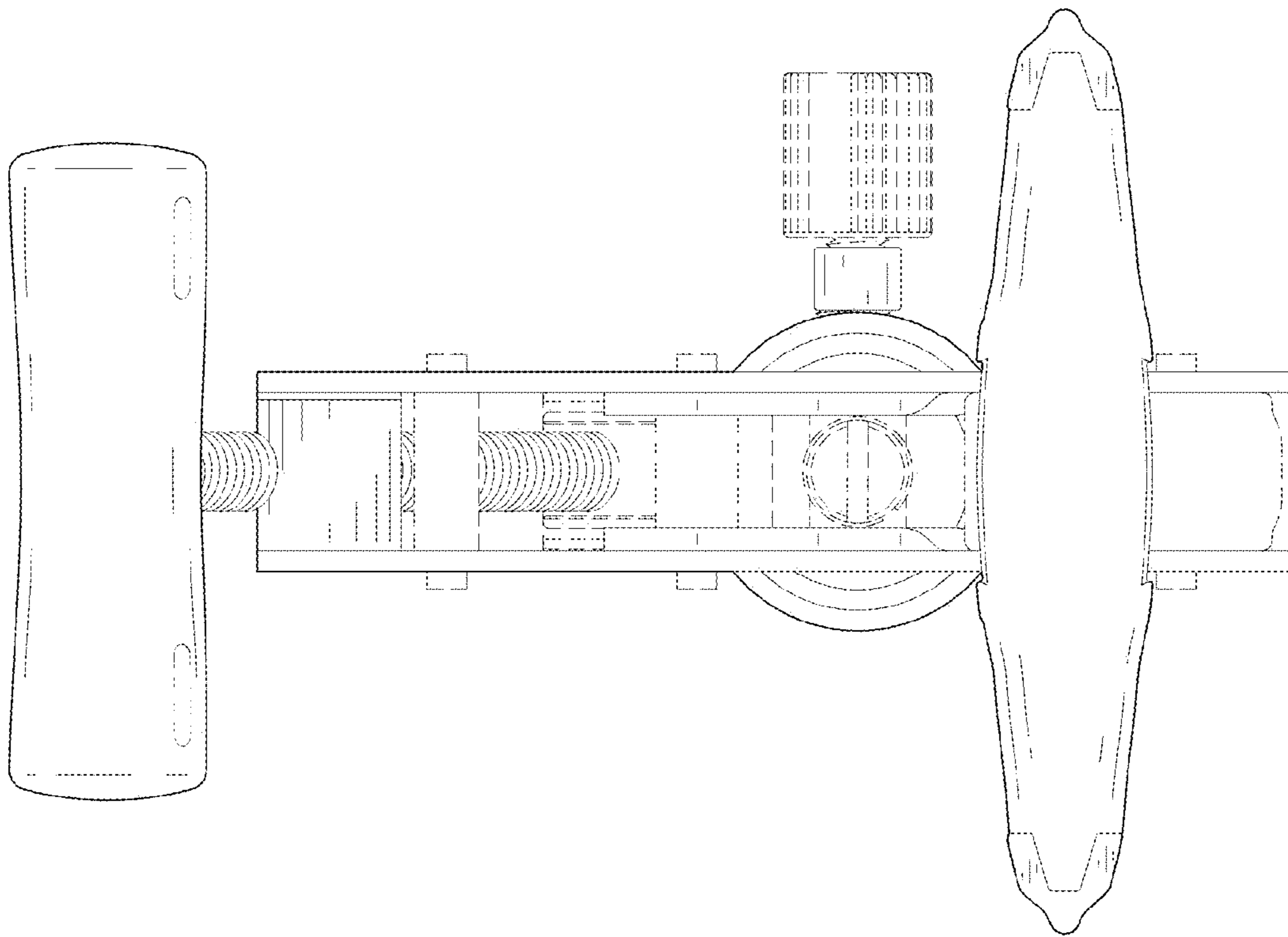


FIG. 7

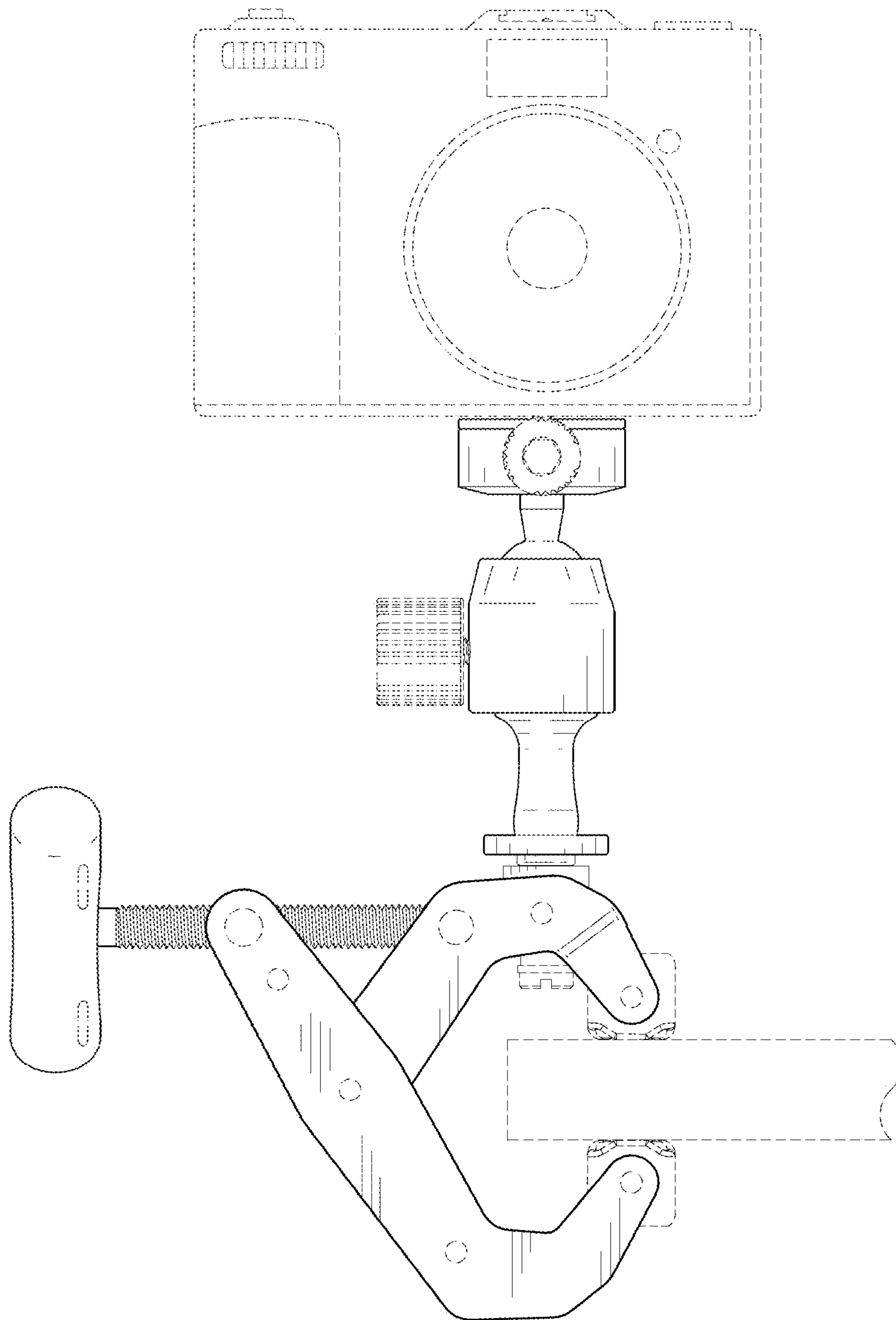


FIG. 8