



US00D757840S

(12) **United States Design Patent**
Sakamoto

(10) **Patent No.:** **US D757,840 S**

(45) **Date of Patent:** **** May 31, 2016**

(54) **VIDEO PROJECTOR**

(71) Applicant: **Sharp Kabushiki Kaisha**, Osaka-shi,
Osaka (JP)

(72) Inventor: **Harumi Sakamoto**, Osaka (JP)

(73) Assignee: **SHARP KABUSHIKI KAISHA**,
Osaka-shi, Osaka (JP)

(**) Term: **14 Years**

(21) Appl. No.: **29/524,907**

(22) Filed: **Apr. 24, 2015**

(30) **Foreign Application Priority Data**

Oct. 30, 2014 (JP) 2014-024245

(51) **LOC (10) Cl.** **16-02**

(52) **U.S. Cl.**
USPC **D16/231; D16/225**

(58) **Field of Classification Search**

USPC D16/221, 225, 230-231, 234; D21/514
CPC G03B 21/14; G03B 21/145; G03B 21/00;
G03B 21/001; G03B 21/12; G03B 21/54
See application file for complete search history.

(56) **References Cited**

U.S. PATENT DOCUMENTS

D343,850 S	2/1994	Saeki et al.
D356,103 S	3/1995	Saeki et al.
D364,416 S	11/1995	Saeki et al.
D365,587 S	12/1995	Saeki et al.
D387,795 S	12/1997	Sakamoto
D388,111 S	12/1997	Iida
D391,592 S	3/1998	Sakamoto et al.
D394,264 S	5/1998	Sakamoto et al.
D398,321 S	9/1998	Iida
D398,622 S	9/1998	Saeki et al.
D412,926 S	8/1999	Saeki et al.
D419,172 S	1/2000	Saeki et al.
D428,619 S	7/2000	Saeki et al.

D434,430 S	11/2000	Saeki et al.
D441,387 S	5/2001	Saeki et al.
D449,060 S	10/2001	Saeki et al.
D454,360 S	3/2002	Shimizu et al.
D454,361 S	3/2002	Saeki et al.
D457,179 S	5/2002	Saeki et al.
D459,341 S	6/2002	Saeki et al.

(Continued)

OTHER PUBLICATIONS

Design U.S. Appl. No. 29/508,789, filed Nov. 12, 2014, entitled
"Video Projector".

Primary Examiner — Wan Laymon

(74) *Attorney, Agent, or Firm* — Nixon & Vanderhye, P.C.

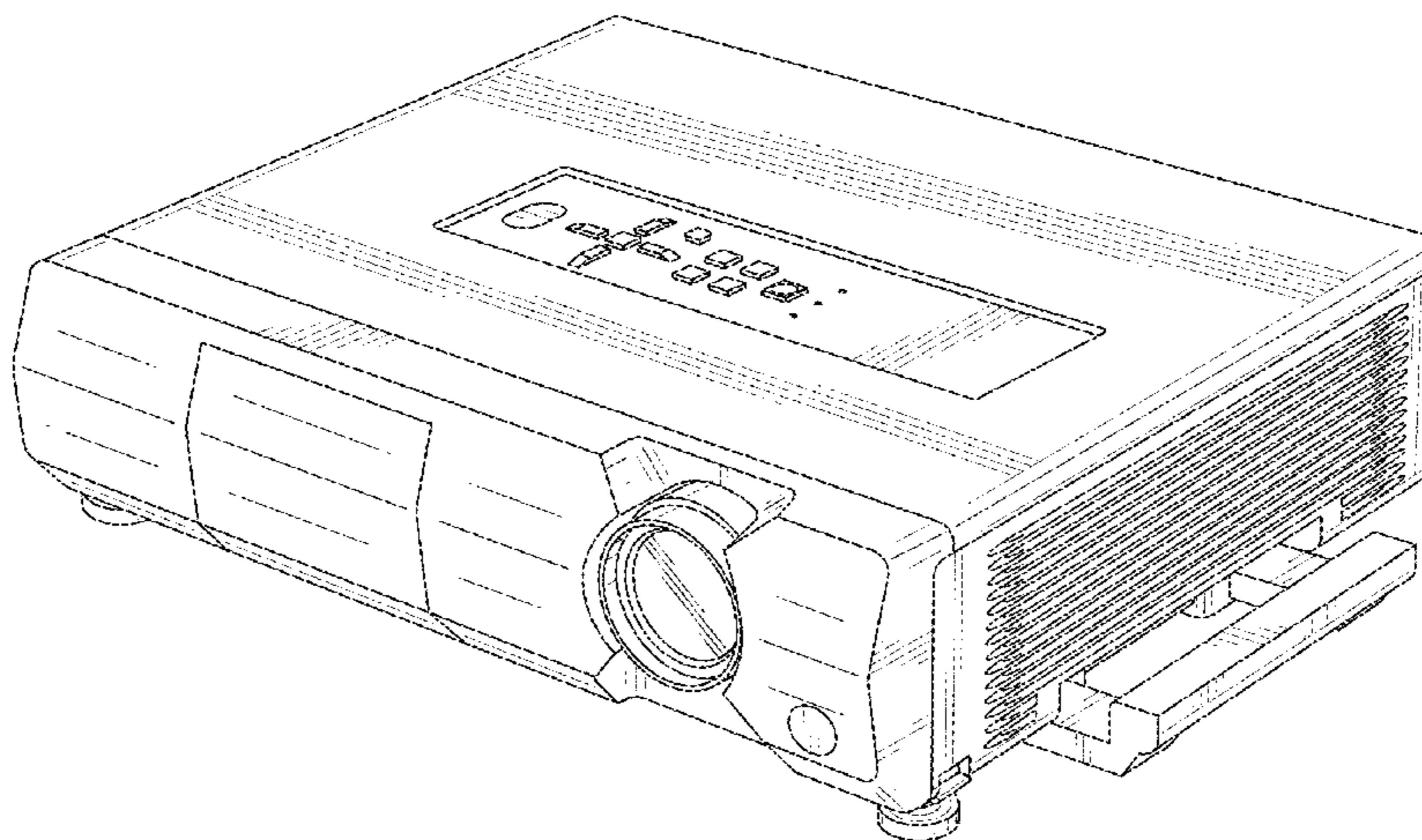
(57) **CLAIM**

The ornamental design for a video projector, as shown and
described.

DESCRIPTION

FIG. 1 is a top, right perspective view of a video projector in
accordance with my new design;
FIG. 2 is a front elevation view thereof;
FIG. 3 is a rear elevation view thereof;
FIG. 4 is top plan view thereof;
FIG. 5 is a bottom plan view thereof;
FIG. 6 is a right-side elevation view thereof;
FIG. 7 is a left-side elevation view thereof;
FIG. 8 is a right side cross section taken along the line 8-8 in
FIG. 2;
FIG. 9 is a right side cross section taken along the line 9-9 in
FIG. 2;
FIG. 10 is a front cross section taken along the line 10-10 in
FIG. 4; and,
FIG. 11 is a top, right perspective view showing an extracted
handle of the video projector.
The broken line showing in the drawings is included for the
purpose of illustrating portions of video projector and forms
no part of the claimed design.

1 Claim, 9 Drawing Sheets



(56)

References Cited

U.S. PATENT DOCUMENTS

D464,074 S 10/2002 Miyazaki
D470,525 S * 2/2003 Nakayama D16/231
D473,252 S 4/2003 Shimamoto et al.
D473,253 S 4/2003 Shimamoto
D476,024 S 6/2003 Shimamoto
6,616,282 B2 * 9/2003 Ozawa G03B 21/00
353/119
D498,490 S 11/2004 Kawasaki et al.
D506,770 S 6/2005 Saeki et al.

D564,565 S 3/2008 Oota et al.
D566,160 S 4/2008 Shimamoto
D577,051 S 9/2008 Yamamizu
D578,150 S 10/2008 Otsuki
D618,718 S 6/2010 Oota et al.
D648,768 S 11/2011 Sakamoto
8,118,437 B2 2/2012 Otsuki
D655,739 S 3/2012 Ogawa et al.
D668,285 S 10/2012 Sakamoto
D691,188 S * 10/2013 Yuyama D16/225
D711,453 S 8/2014 Fujii
D711,454 S 8/2014 Fujii et al.

* cited by examiner

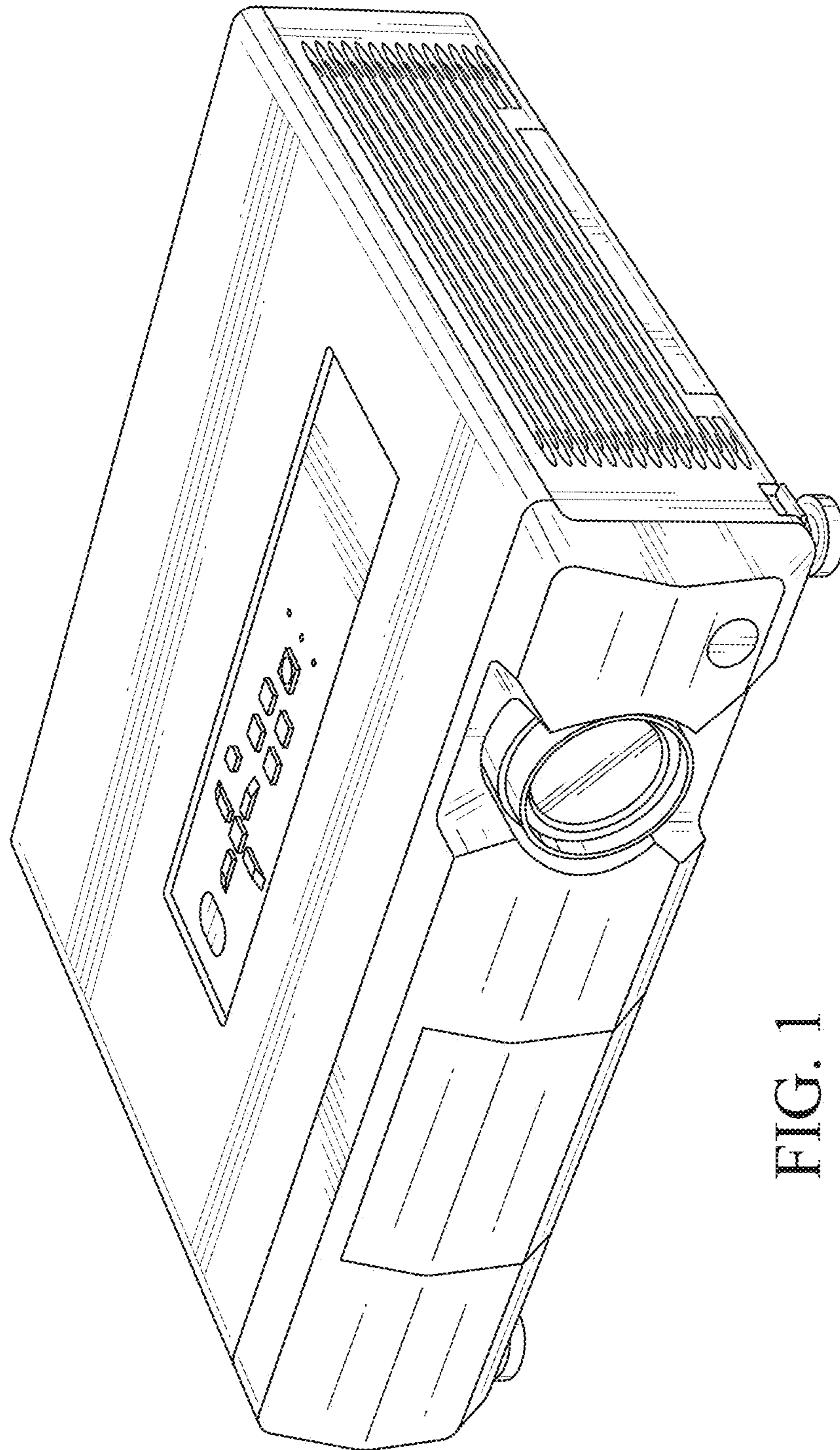


FIG. 1

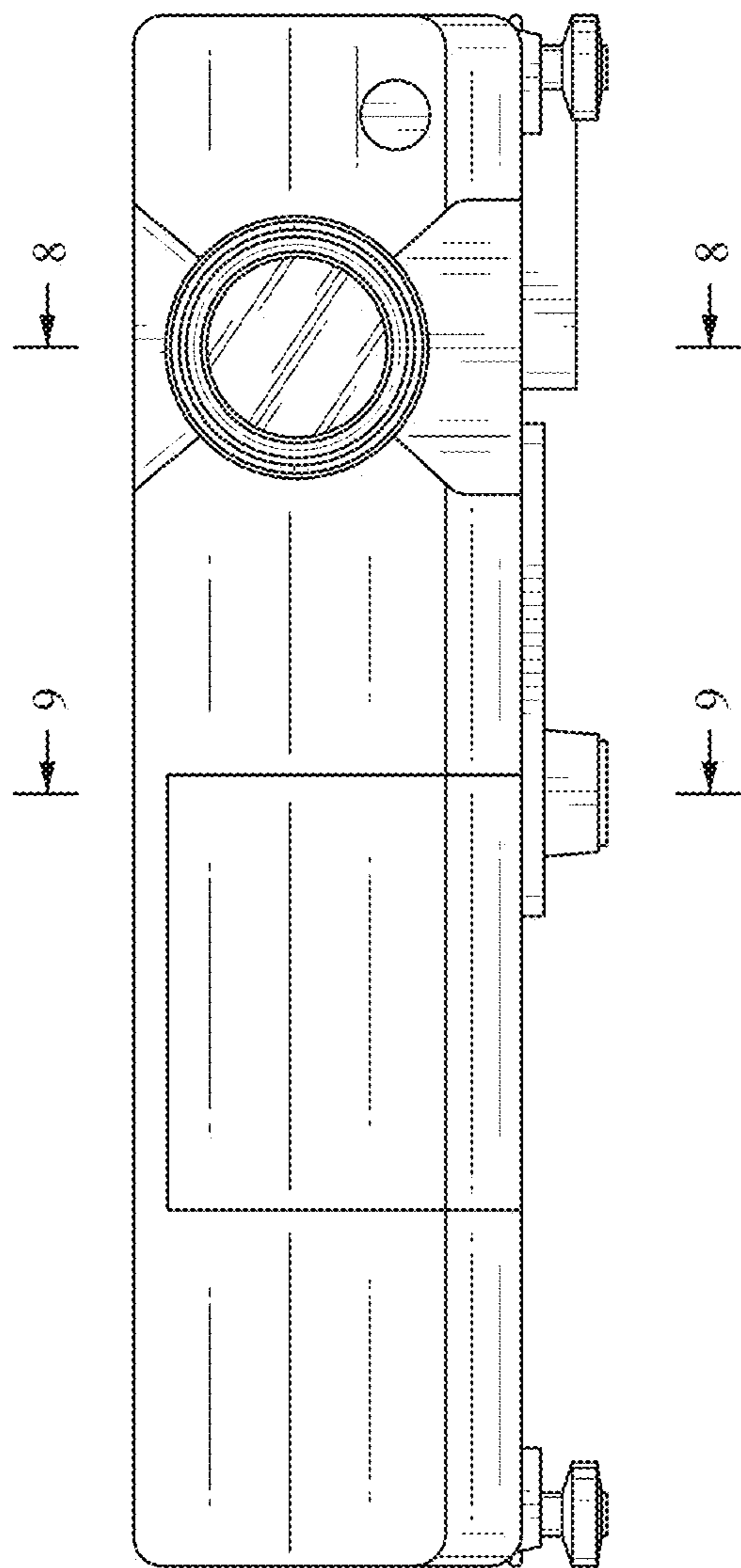


FIG. 2

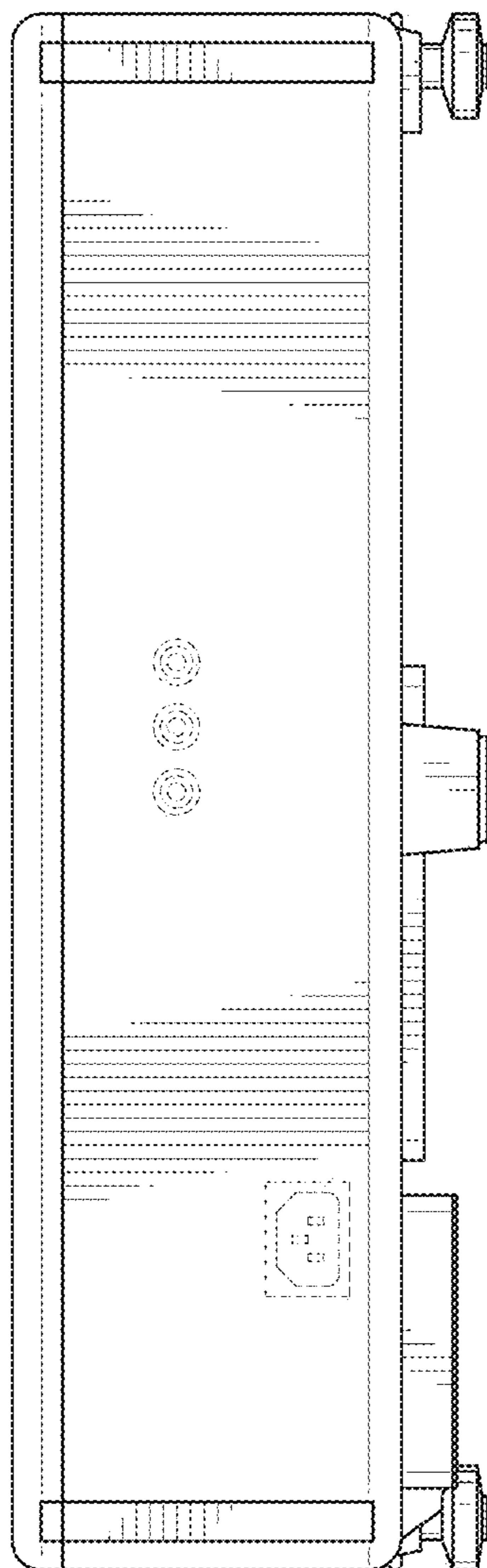


FIG. 3

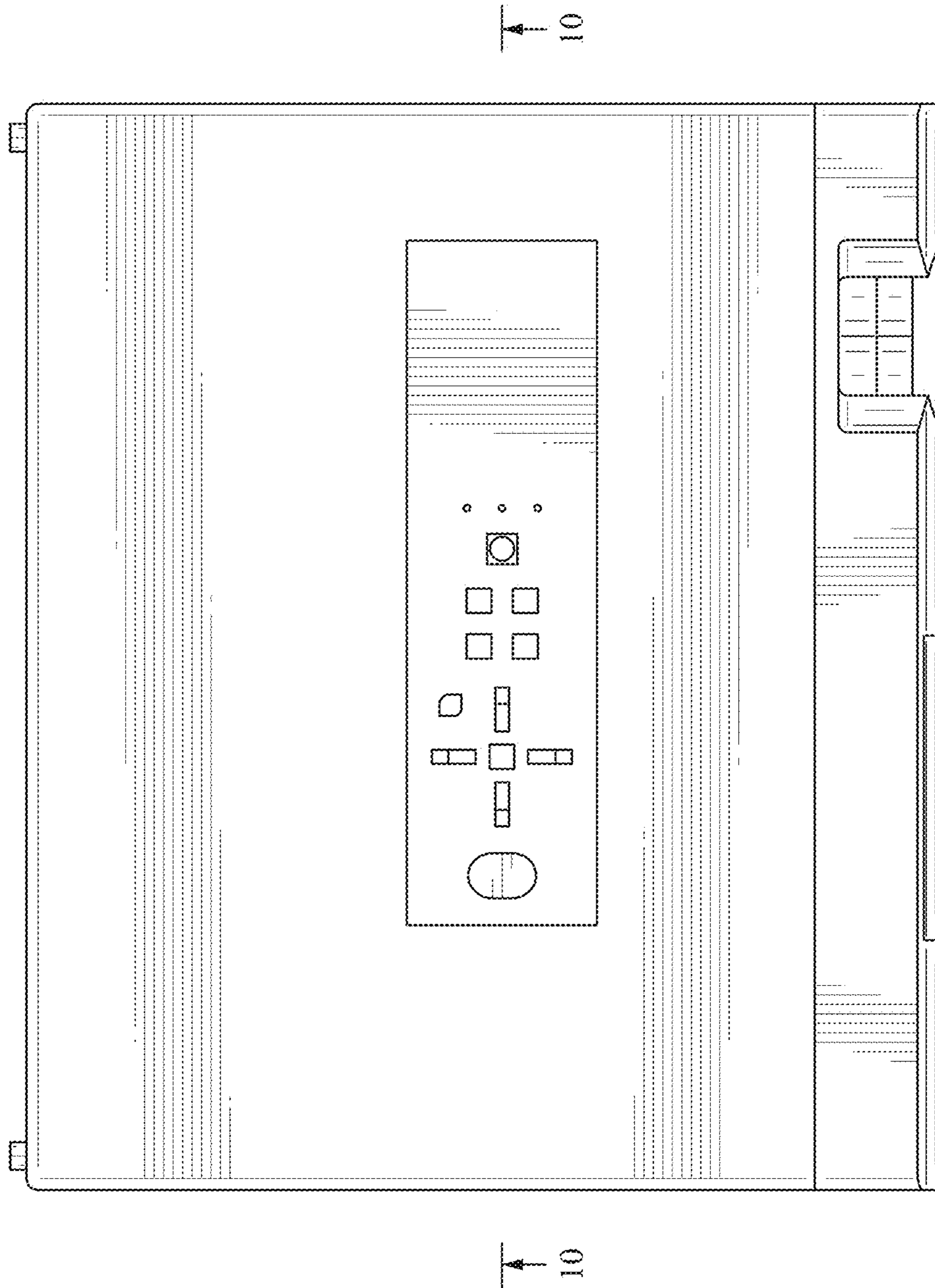


FIG. 4

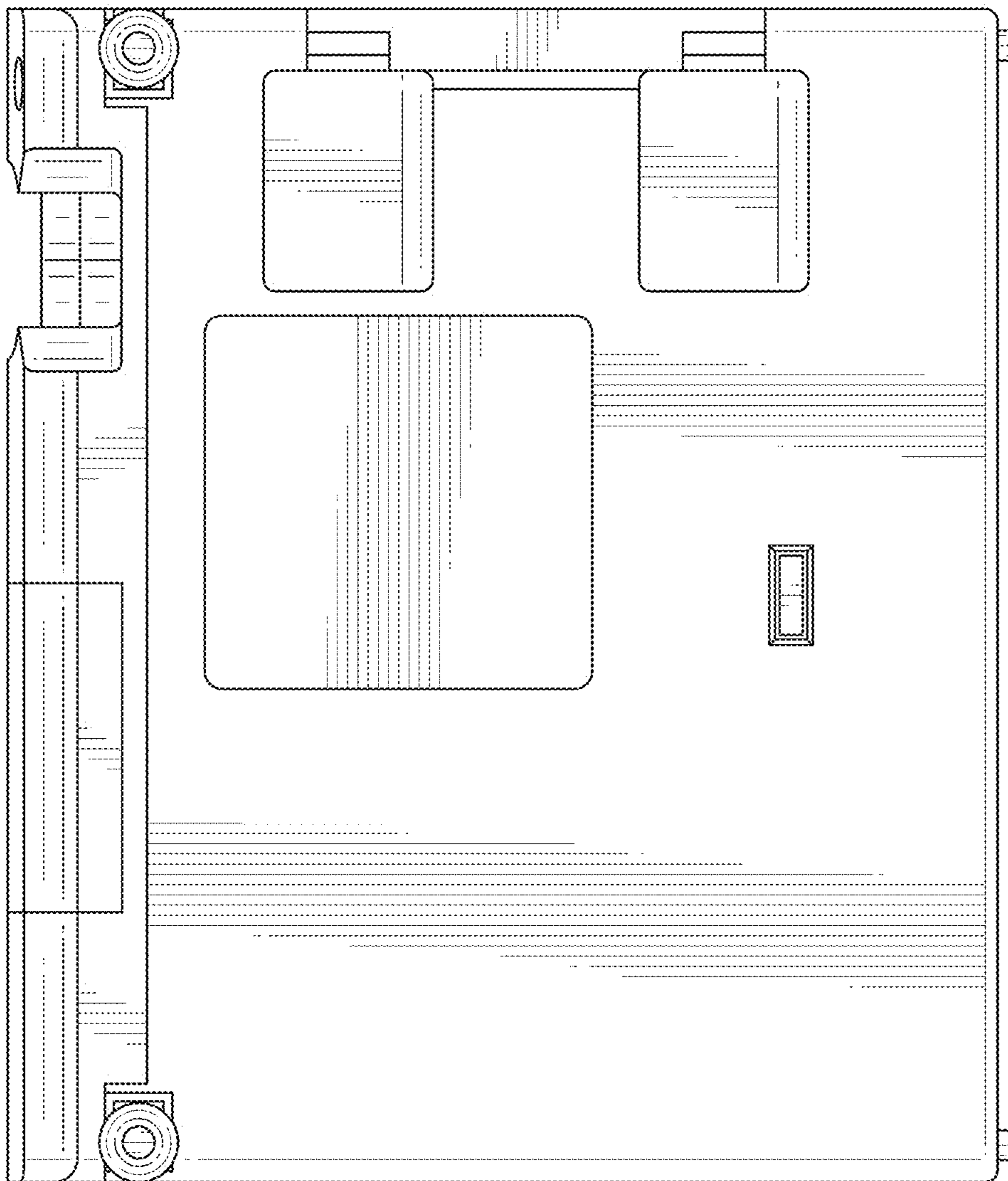


FIG. 5

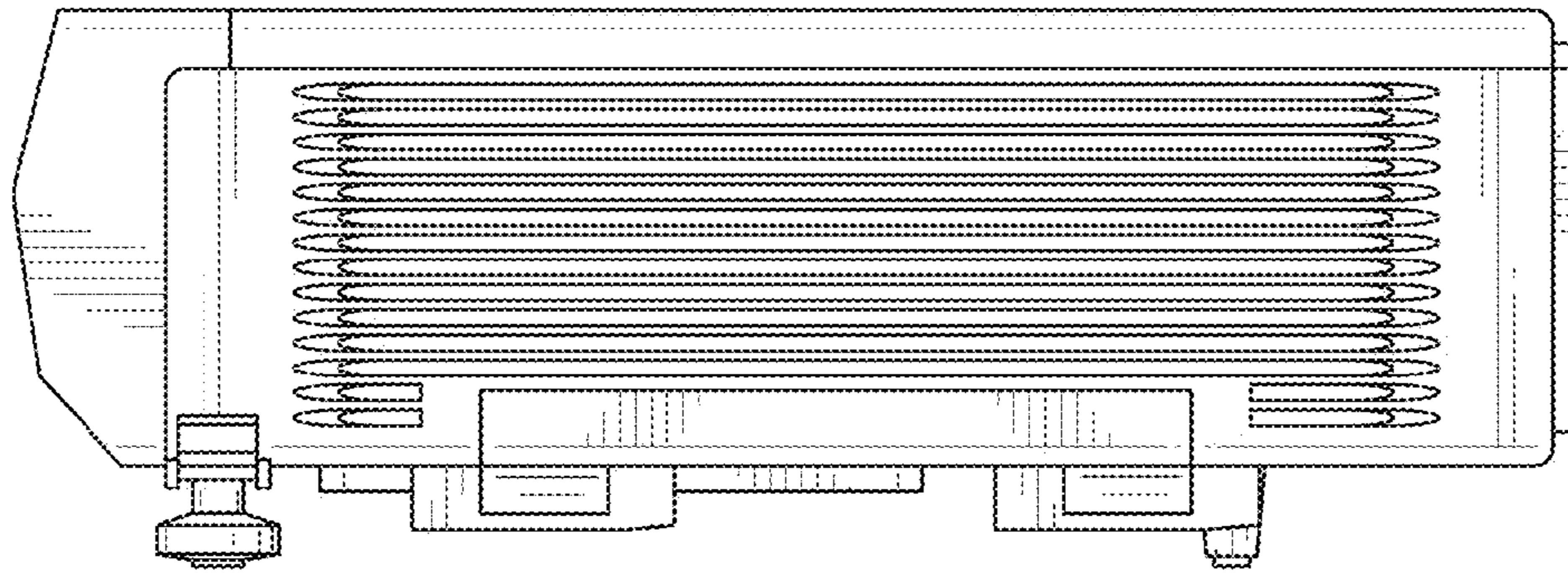


FIG. 6

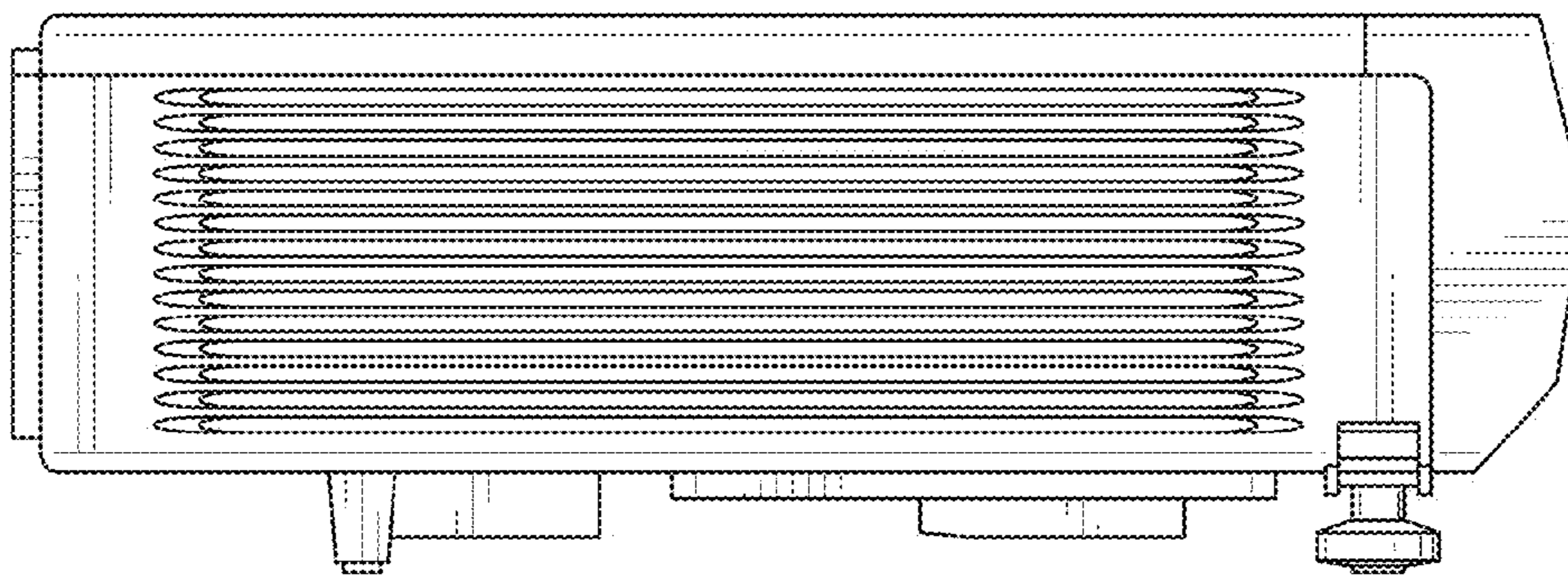


FIG. 7

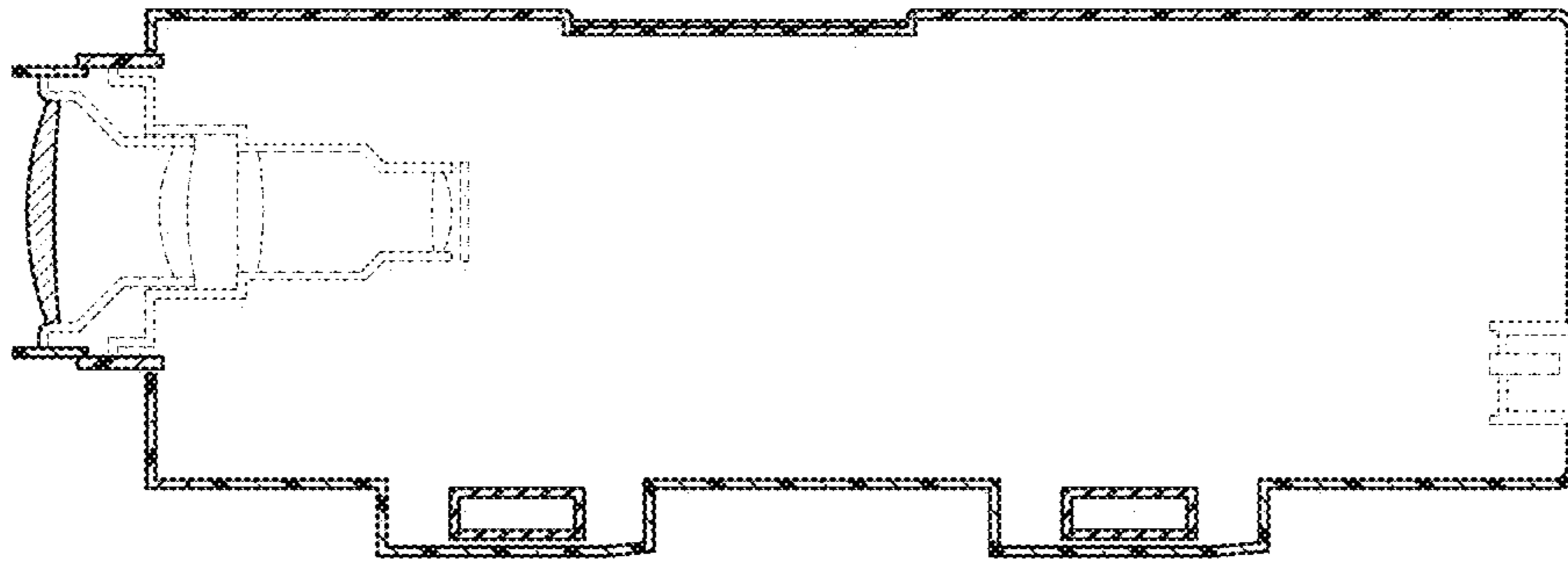


FIG. 8

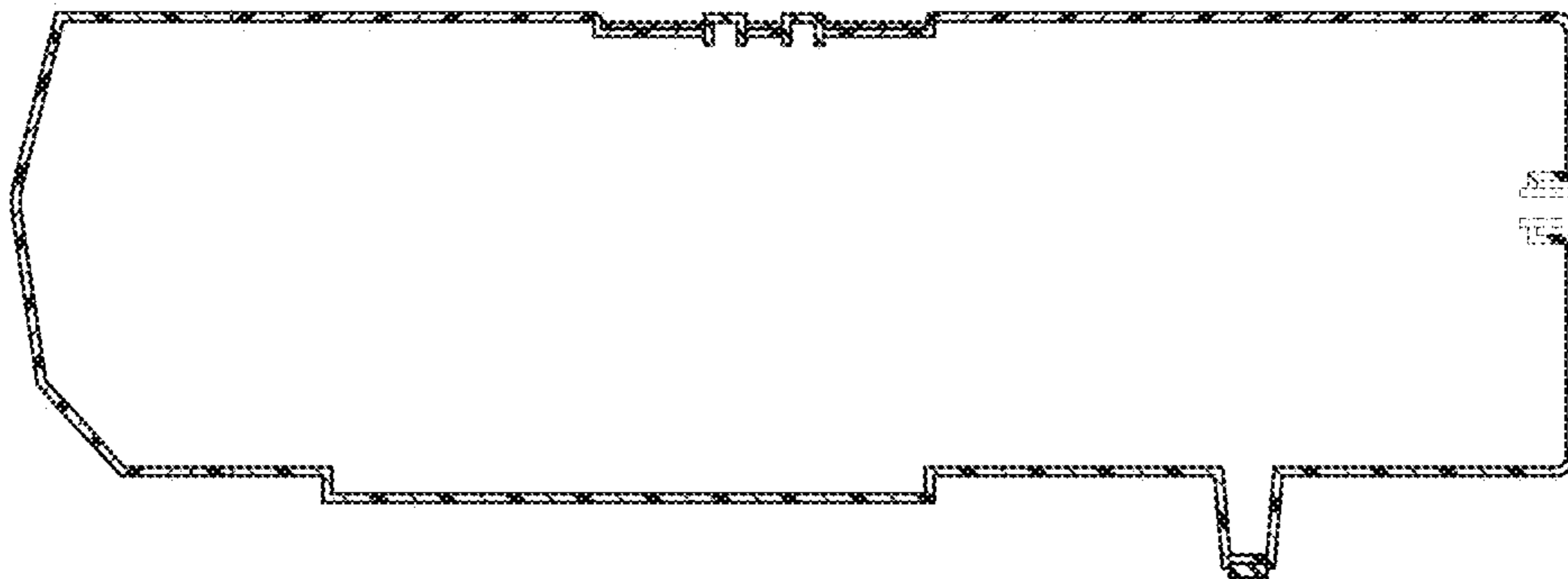


FIG. 9

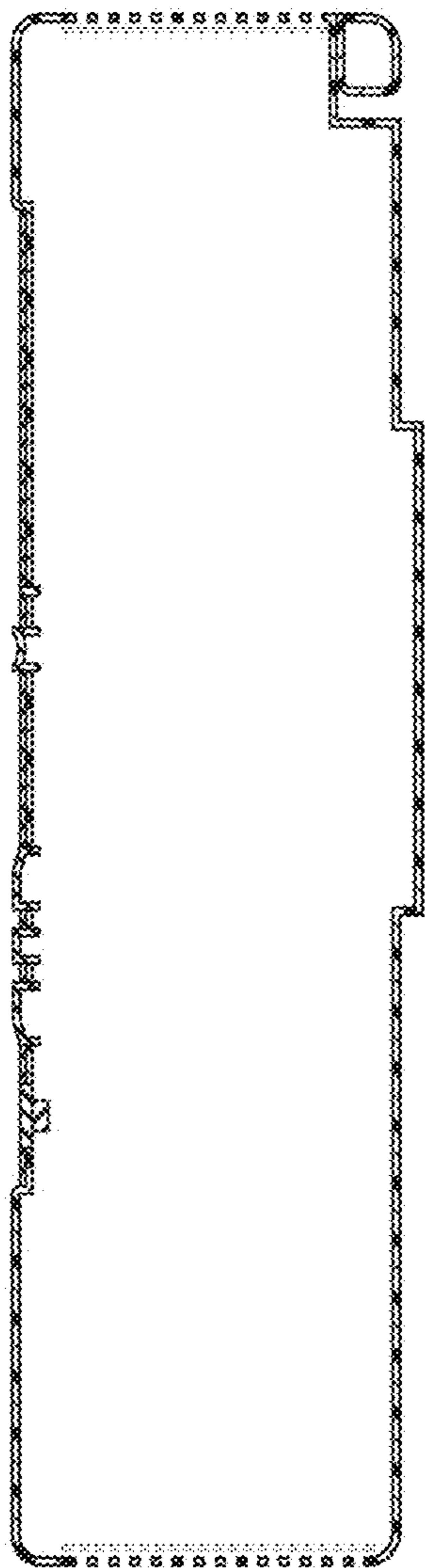


FIG. 10

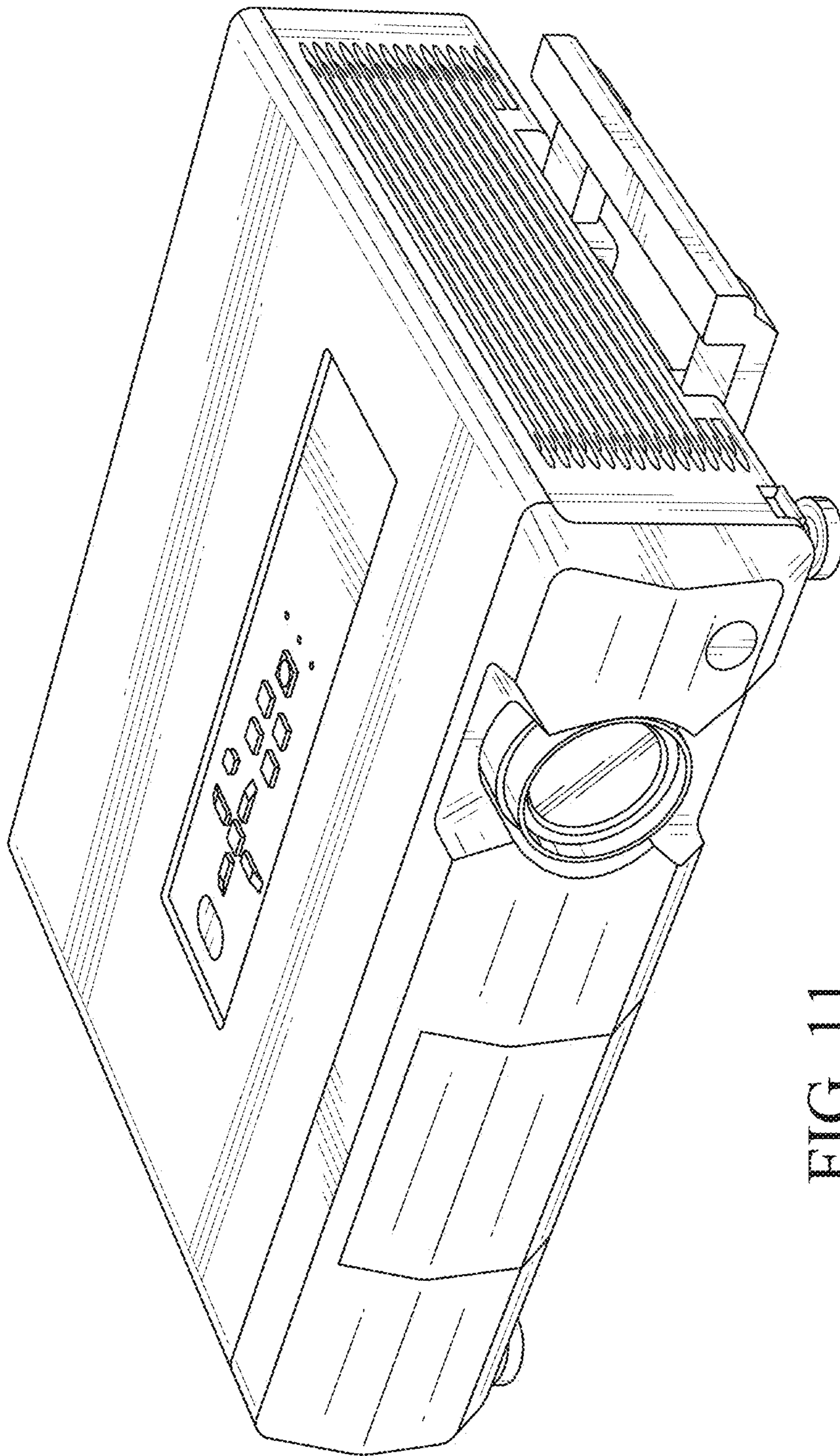


FIG. 11