



US00D757839S

(12) **United States Design Patent**  
**Morohoshi**

(10) **Patent No.:** **US D757,839 S**  
(45) **Date of Patent:** **\*\* May 31, 2016**

(54) **PROJECTOR**

(71) Applicant: **Hiroshi Morohoshi**, Ohta-ku (JP)

(72) Inventor: **Hiroshi Morohoshi**, Ohta-ku (JP)

(73) Assignee: **RICOH COMPANY, LTD.**, Tokyo (JP)

(\*\*) Term: **14 Years**

(21) Appl. No.: **29/524,000**

(22) Filed: **Apr. 15, 2015**

**Related U.S. Application Data**

(62) Division of application No. 29/459,340, filed on Jun. 28, 2013, now Pat. No. Des. 735,791.

(30) **Foreign Application Priority Data**

Jan. 8, 2013 (JP) ..... 2013-000093

(51) **LOC (10) Cl.** ..... **16-02**

(52) **U.S. Cl.**  
USPC ..... **D16/230; D16/225**

(58) **Field of Classification Search**  
USPC ..... D16/208, 221, 225, 230–231, 234;  
D21/514

CPC .... G03B 21/00; G03B 21/001; G03B 21/003;  
G03B 21/12; G03B 21/16

See application file for complete search history.

(56) **References Cited**

**U.S. PATENT DOCUMENTS**

D428,619 S 7/2000 Saeki et al.  
D434,430 S 11/2000 Saeki et al.  
D454,360 S 3/2002 Shimizu et al.  
D464,074 S 10/2002 Miyazaki

D473,253 S 4/2003 Shimamoto  
D475,729 S 6/2003 Shiota et al.  
6,616,282 B2\* 9/2003 Ozawa ..... G03B 21/00  
353/119  
D506,770 S 6/2005 Saeki et al.  
D577,051 S 9/2008 Yamamizu  
D578,150 S 10/2008 Sakamaki et al.  
7,841,721 B2 11/2010 Momose et al.  
D663,346 S 7/2012 Fujikawa et al.  
D711,453 S 8/2014 Fujii et al.  
2015/0029469 A1\* 1/2015 Kubo ..... G03B 21/16  
353/57

**OTHER PUBLICATIONS**

U.S. Appl. No. 29/522,900, filed Apr. 3, 2015.

\* cited by examiner

*Primary Examiner* — Wan Laymon

(74) *Attorney, Agent, or Firm* — Oblon, McClelland, Maier & Neustadt, L.L.P.

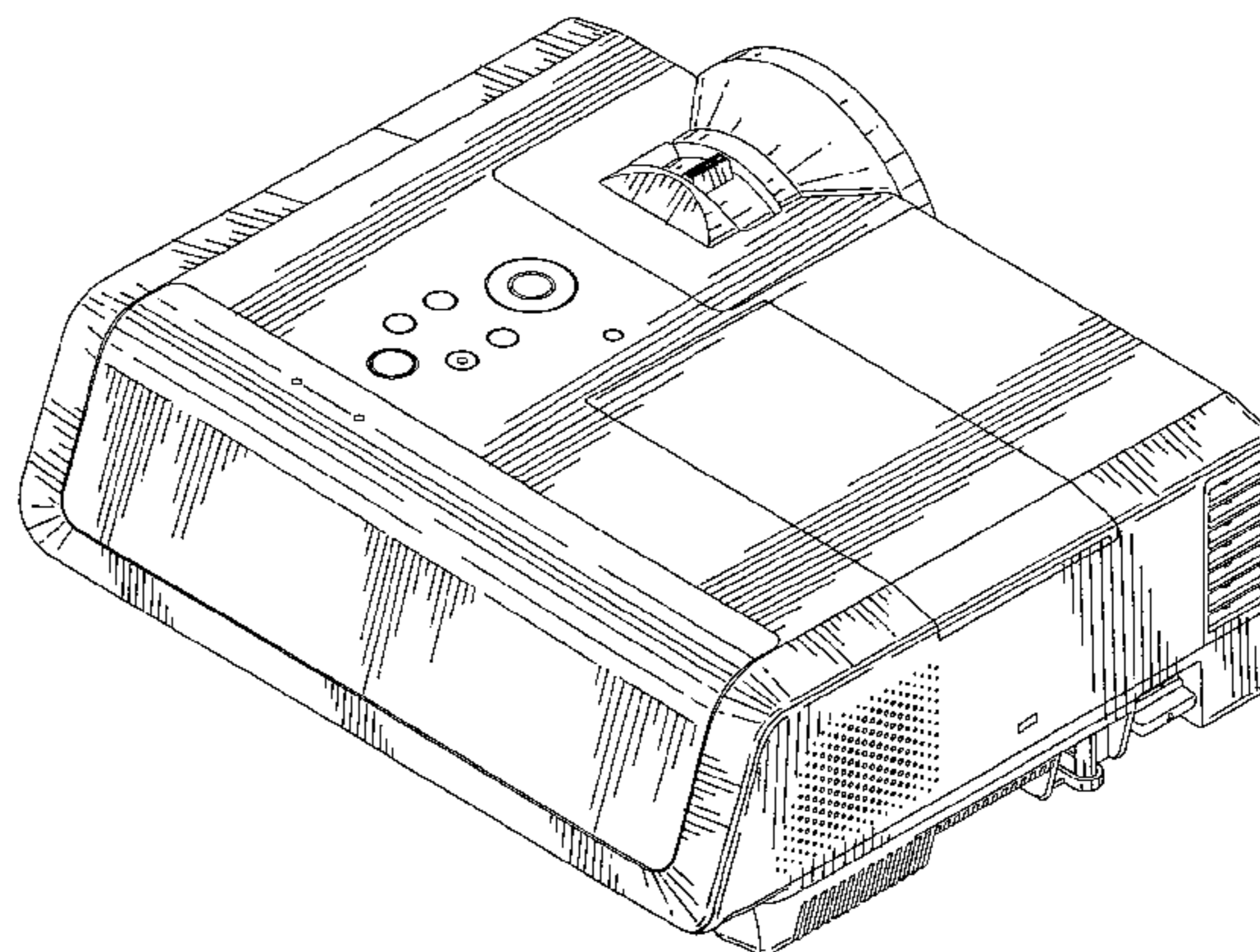
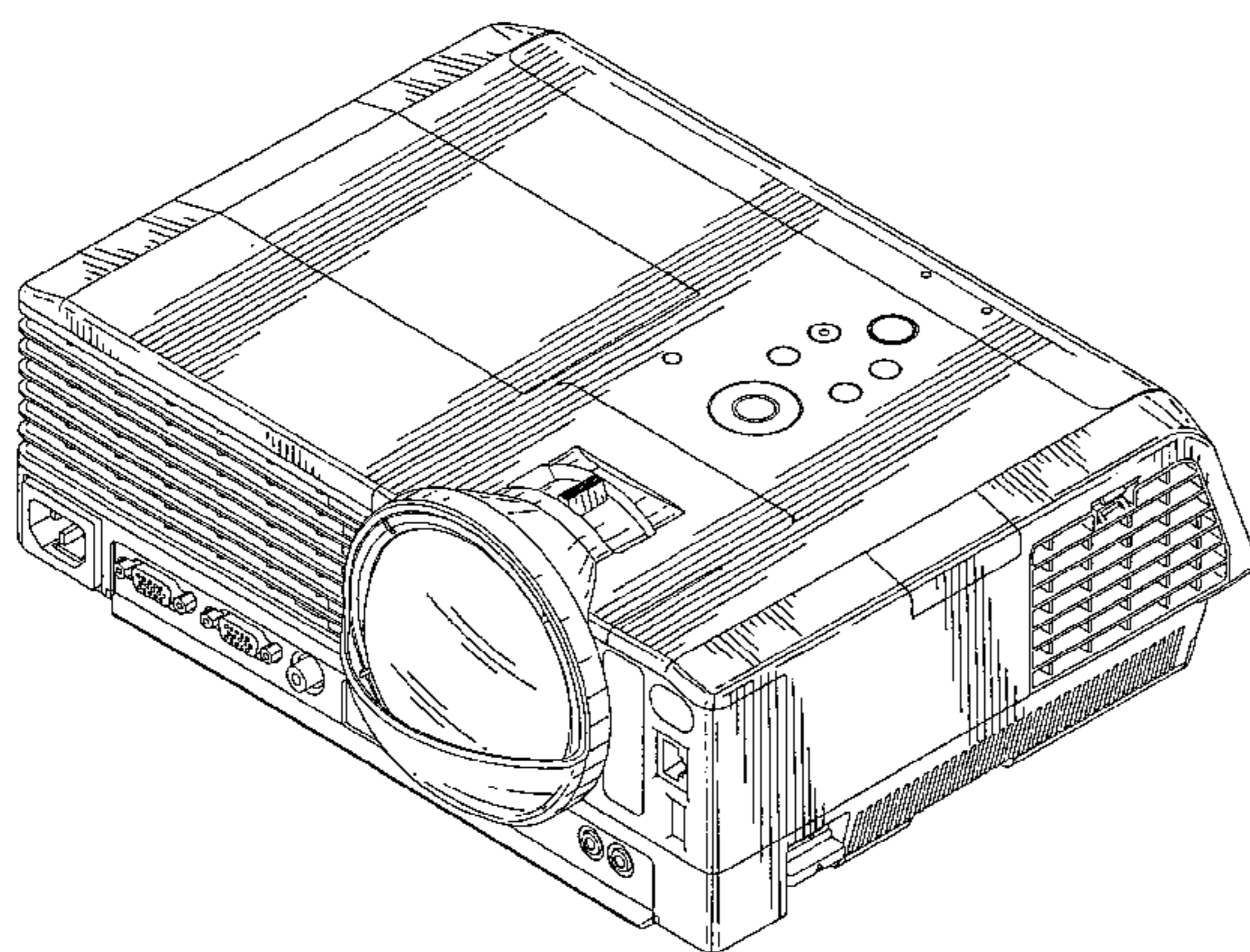
(57) **CLAIM**

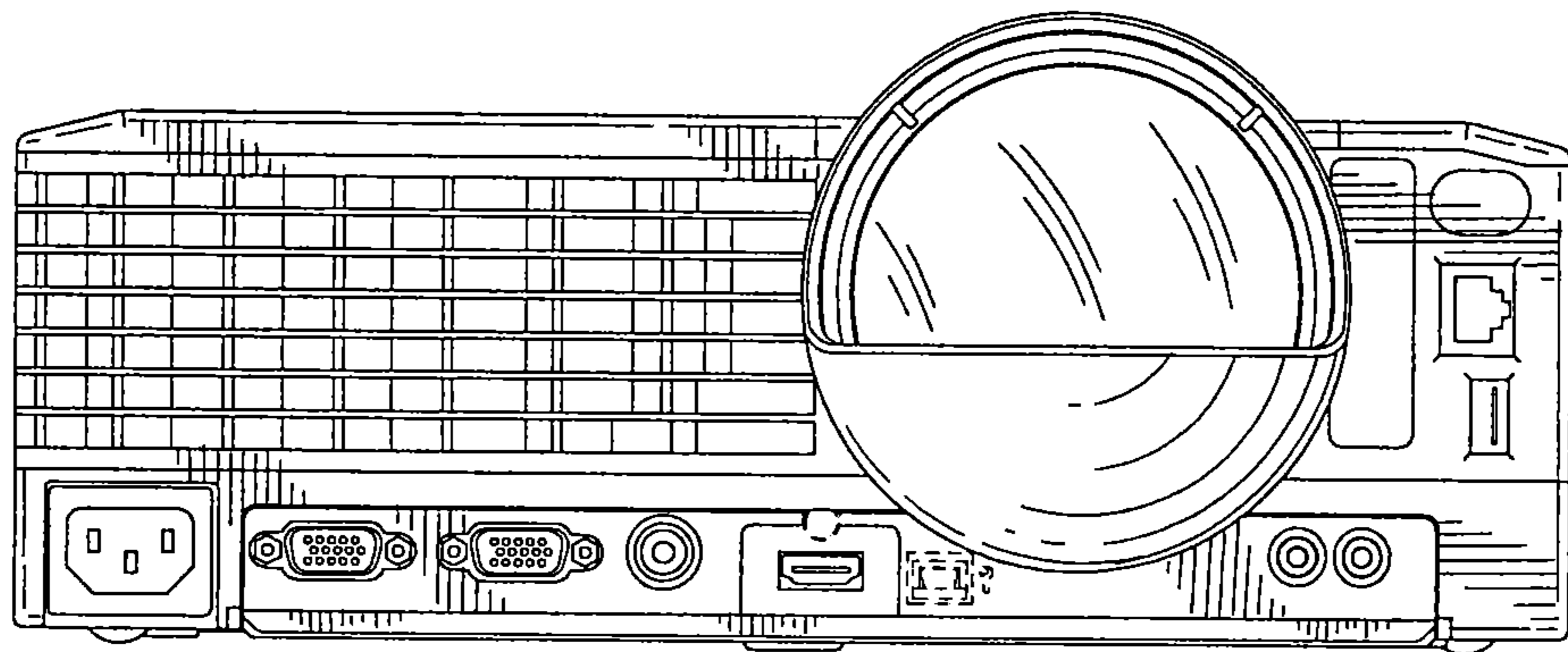
The ornamental design for a projector, as shown and described.

**DESCRIPTION**

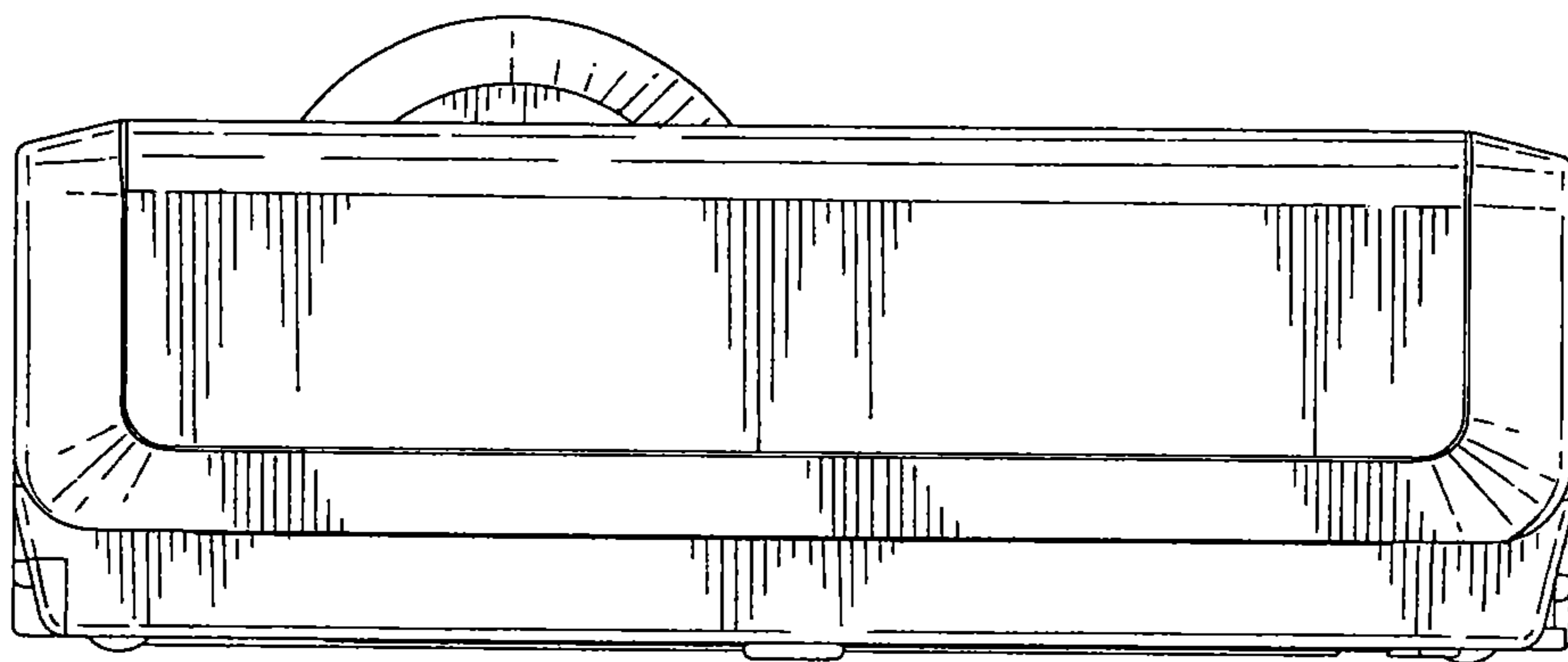
FIG. 1 is a front elevational view of a projector;  
FIG. 2 is a rear elevational view thereof;  
FIG. 3 is a left side elevational view thereof;  
FIG. 4 is a right side elevational view thereof;  
FIG. 5 is a top plan view thereof;  
FIG. 6 is a bottom plan view thereof;  
FIG. 7 is a front, top, and right side perspective view thereof;  
and,  
FIG. 8 is a rear, top, and left side perspective view thereof.  
The broken lines in the drawings illustrate subject matter that forms no part of the claimed design.

**1 Claim, 4 Drawing Sheets**

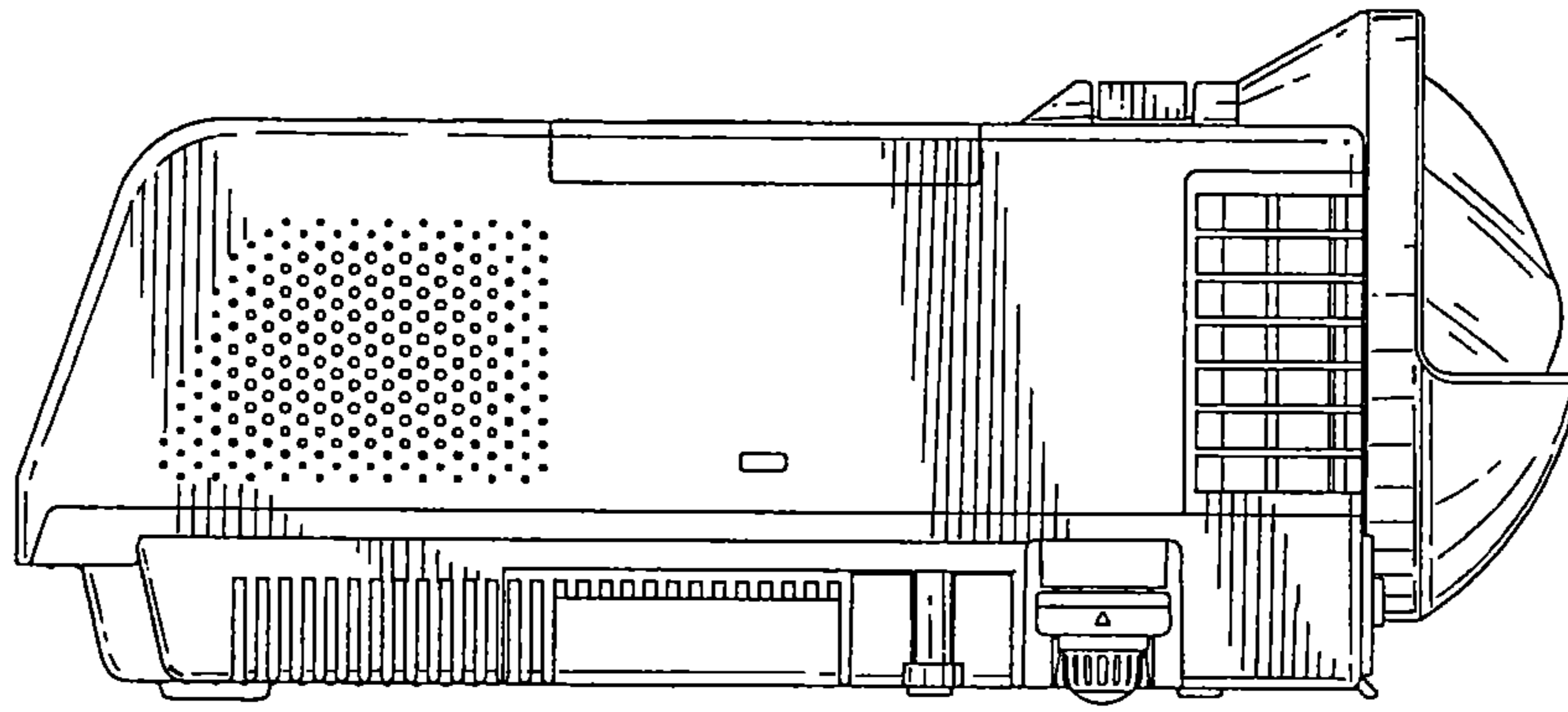




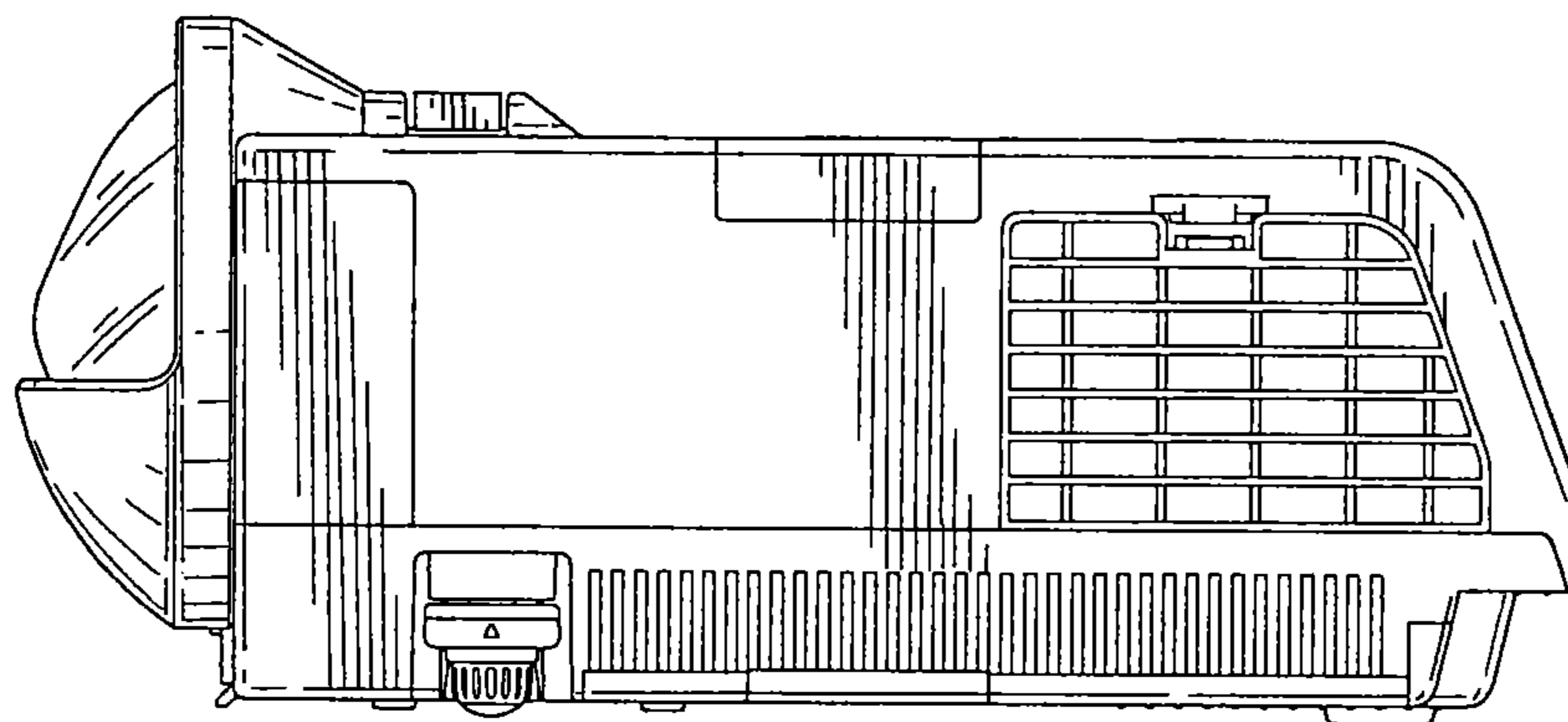
*Fig. 1*



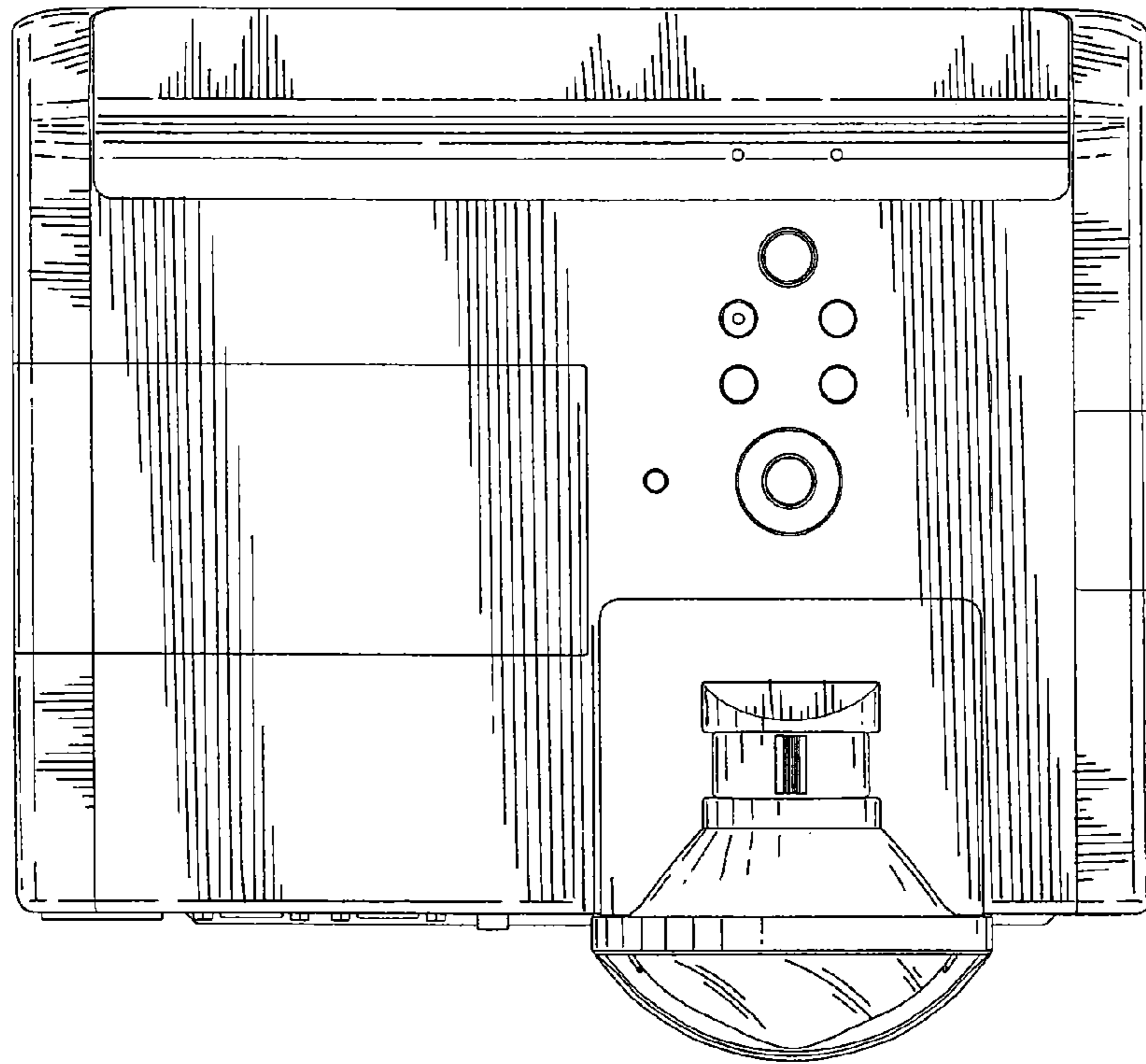
*Fig. 2*



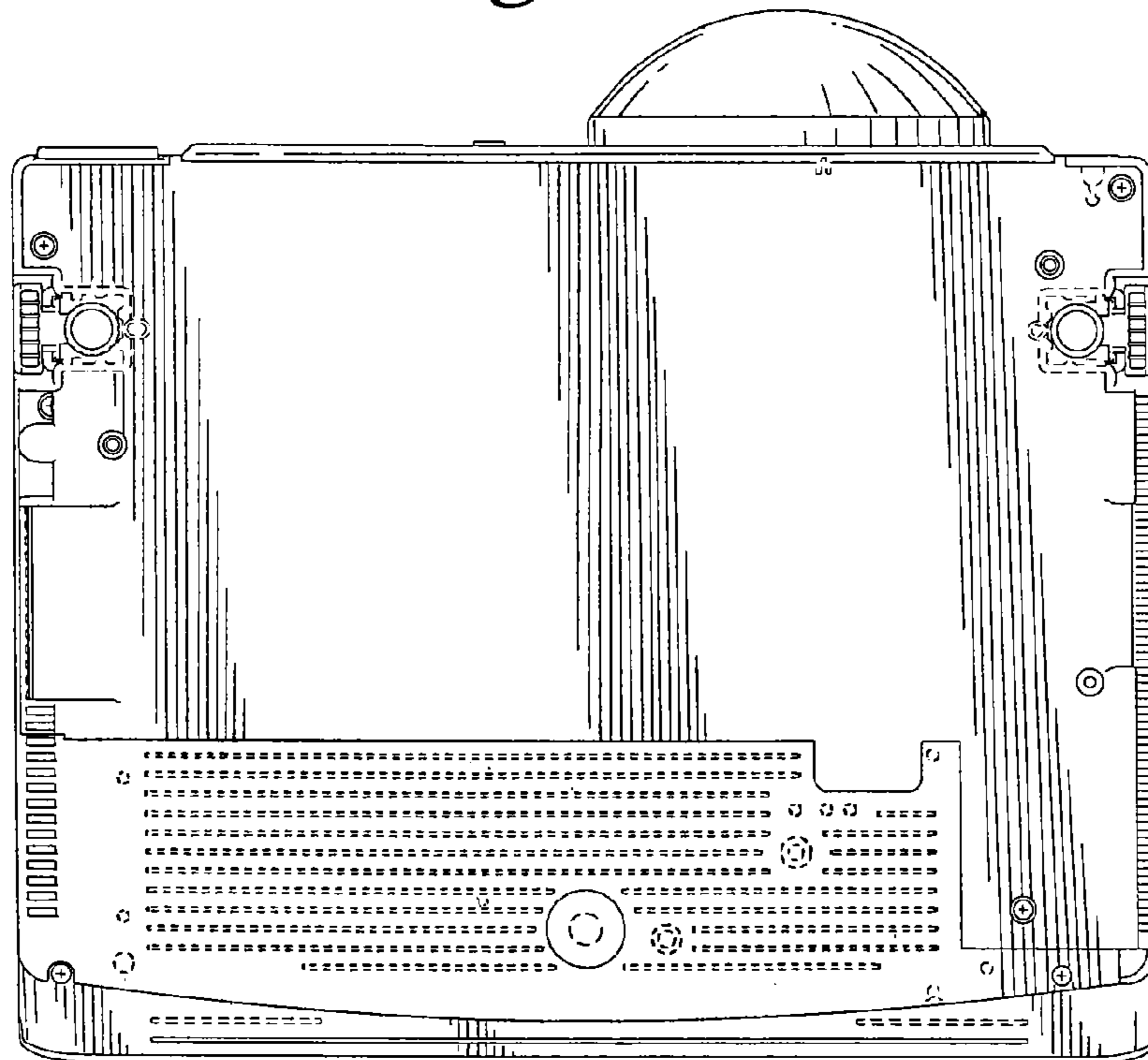
*Fig. 3*



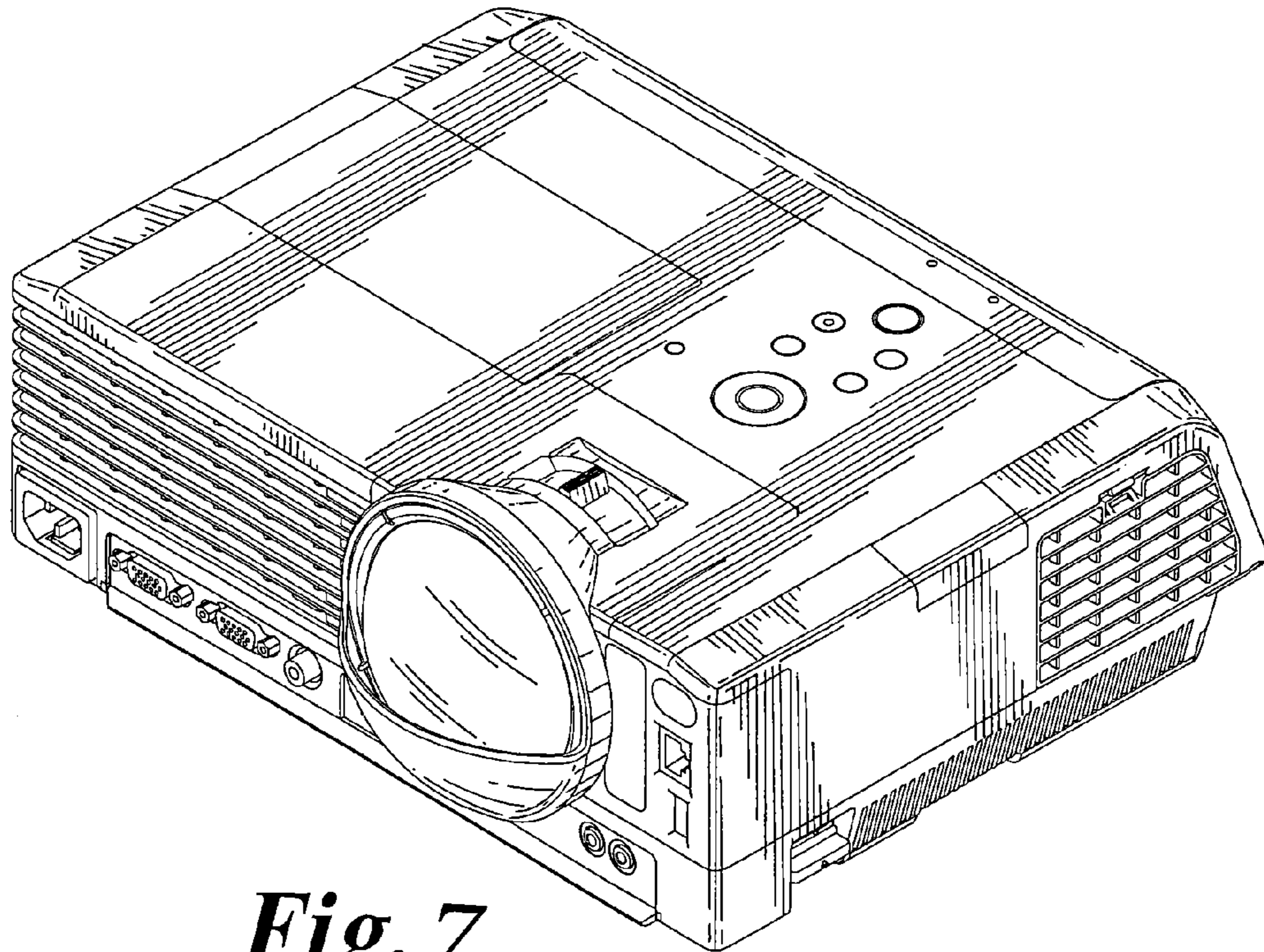
*Fig. 4*



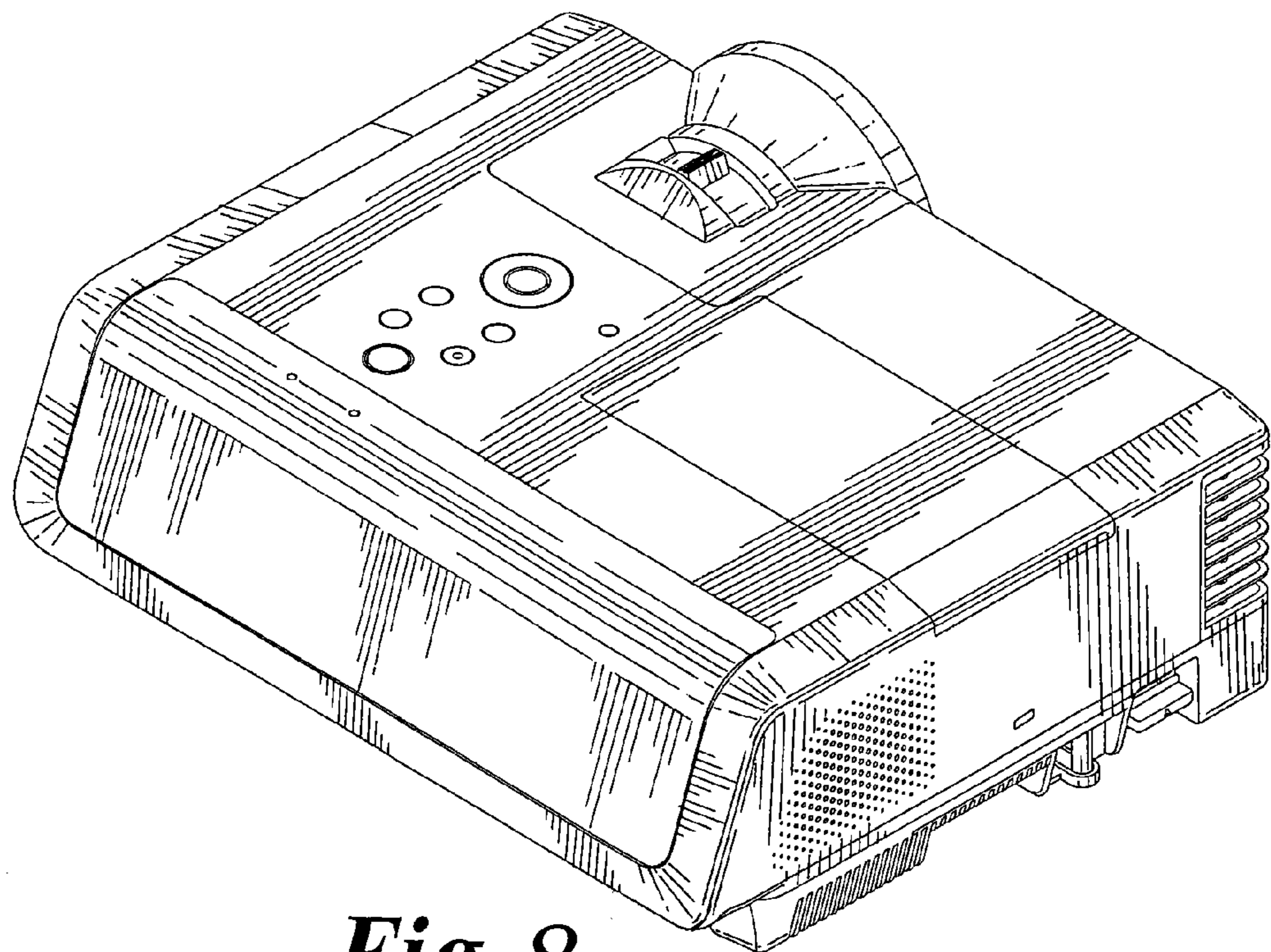
*Fig. 5*



*Fig. 6*



*Fig. 7*



*Fig. 8*