



US00D757838S

(12) **United States Design Patent**
Laho et al.

(10) **Patent No.:** **US D757,838 S**
(45) **Date of Patent:** **** May 31, 2016**

- (54) **THERMAL IMAGER**
- (71) Applicant: **Fluke Corporation**, Everett, WA (US)
- (72) Inventors: **Aaron Robert Laho**, Big Lake, MN (US); **Jeffrey M. Elrod**, Seattle, WA (US); **Timothy J. Kesti**, Monticello, MN (US)
- (73) Assignee: **Fluke Corporatrion**, Everett, WA (US)

8,102,424 B2 *	1/2012	Sheard	H04N 5/2252	348/164
D658,222 S *	4/2012	Elrod	D16/206	
D665,440 S *	8/2012	Sigward	D16/206	
D677,298 S *	3/2013	Hallgren	D16/206	
D710,424 S *	8/2014	Hallgren	D16/206	
D723,605 S *	3/2015	Palm	D16/206	
D727,393 S *	4/2015	Elrod	D16/206	
D733,783 S *	7/2015	Wu	D16/206	
D741,390 S *	10/2015	Mayeur	D16/206	
2014/0002668 A1 *	1/2014	Nguyen	G01J 5/0205	348/164

(**) Term: **15 Years**

(21) Appl. No.: **29/529,641**

(22) Filed: **Jun. 9, 2015**

(51) **LOC (10) Cl.** **16-05**

(52) **U.S. Cl.**
USPC **D16/219**; D16/206

(58) **Field of Classification Search**
USPC D16/200, 202–206, 208, 218, 219;
348/164, 373–376; 396/535, 539–541
CPC G03B 15/03; G03B 17/02; G03B 17/04;
G03B 17/56; G03B 19/04; H04N 5/2251;
H04N 5/2252; H04N 5/2253; H04N 5/2254;
H04N 2101/00; H04N 5/33; H04N 5/332
See application file for complete search history.

(56) **References Cited**

U.S. PATENT DOCUMENTS

D466,540 S *	12/2002	Lannstedt	D16/202
D540,838 S *	4/2007	Aronsson	D16/206
D585,927 S *	2/2009	Sheard	D16/206

* cited by examiner

Primary Examiner — Adir Aronovich

Assistant Examiner — Ramzi Almatrahi

(74) *Attorney, Agent, or Firm* — Fredrikson & Byron, P.A.

(57) **CLAIM**

We claim the ornamental design for a thermal imager, as shown and described.

DESCRIPTION

FIG. 1 is a rear perspective view of a thermal imager showing our new design;

FIG. 2 is a rear elevational view thereof;

FIG. 3 is a front elevational view thereof;

FIG. 4 is a left side elevational view thereof;

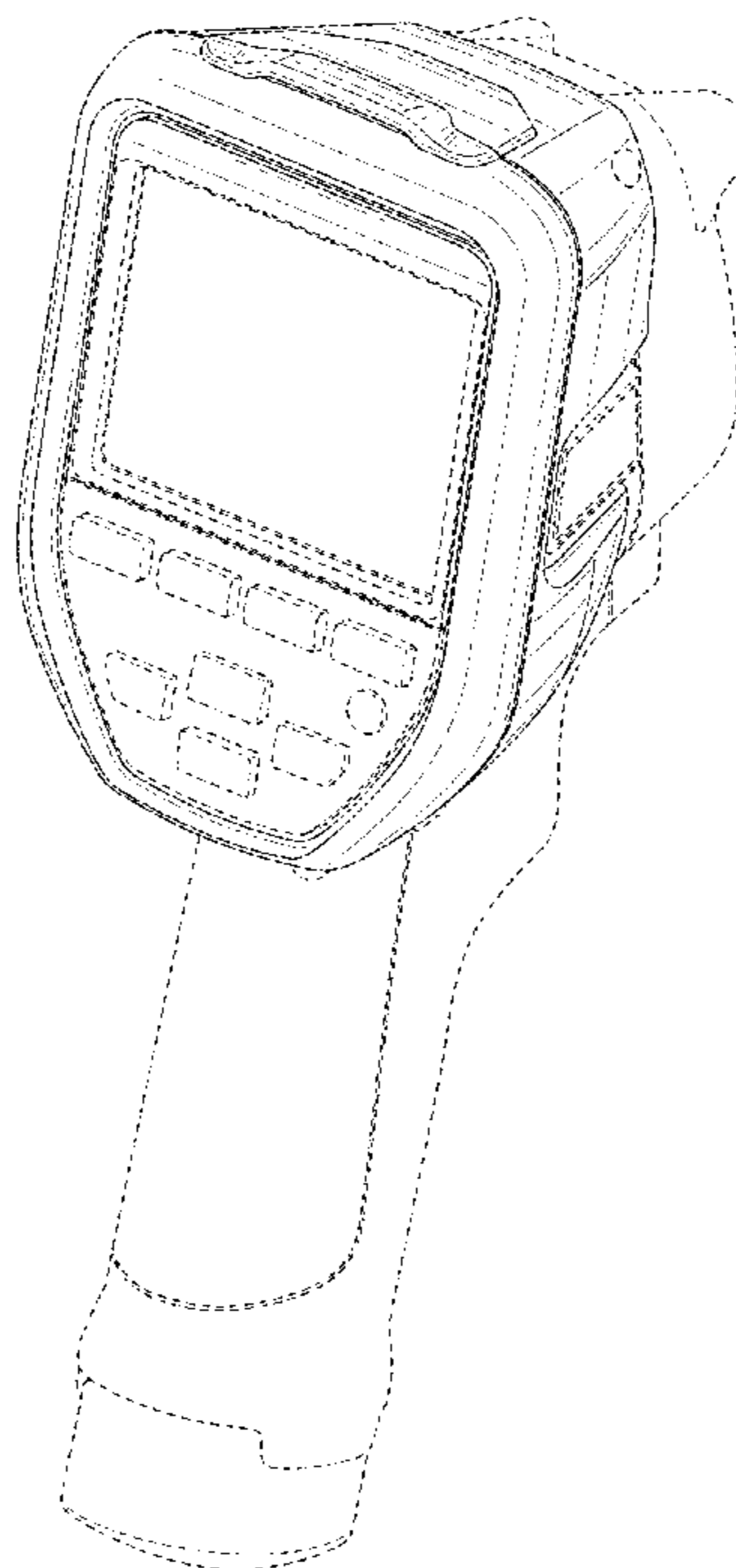
FIG. 5 is a right side elevational view thereof;

FIG. 6 is a top plan view thereof; and,

FIG. 7 is a bottom plan view thereof.

The broken lines depict portions of a thermal imager in which the design is embodied and form no part of the claimed design.

1 Claim, 7 Drawing Sheets



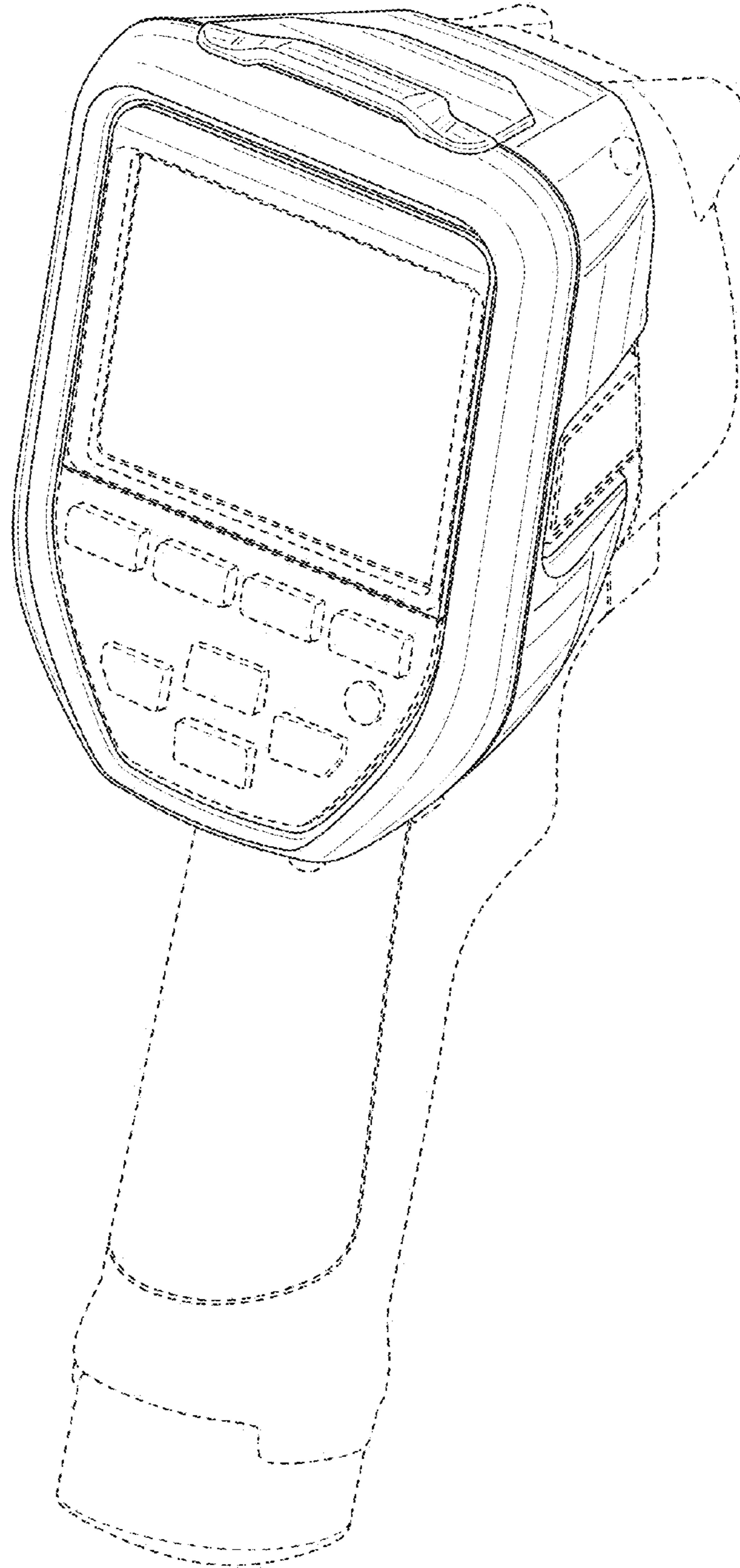


FIG. 1

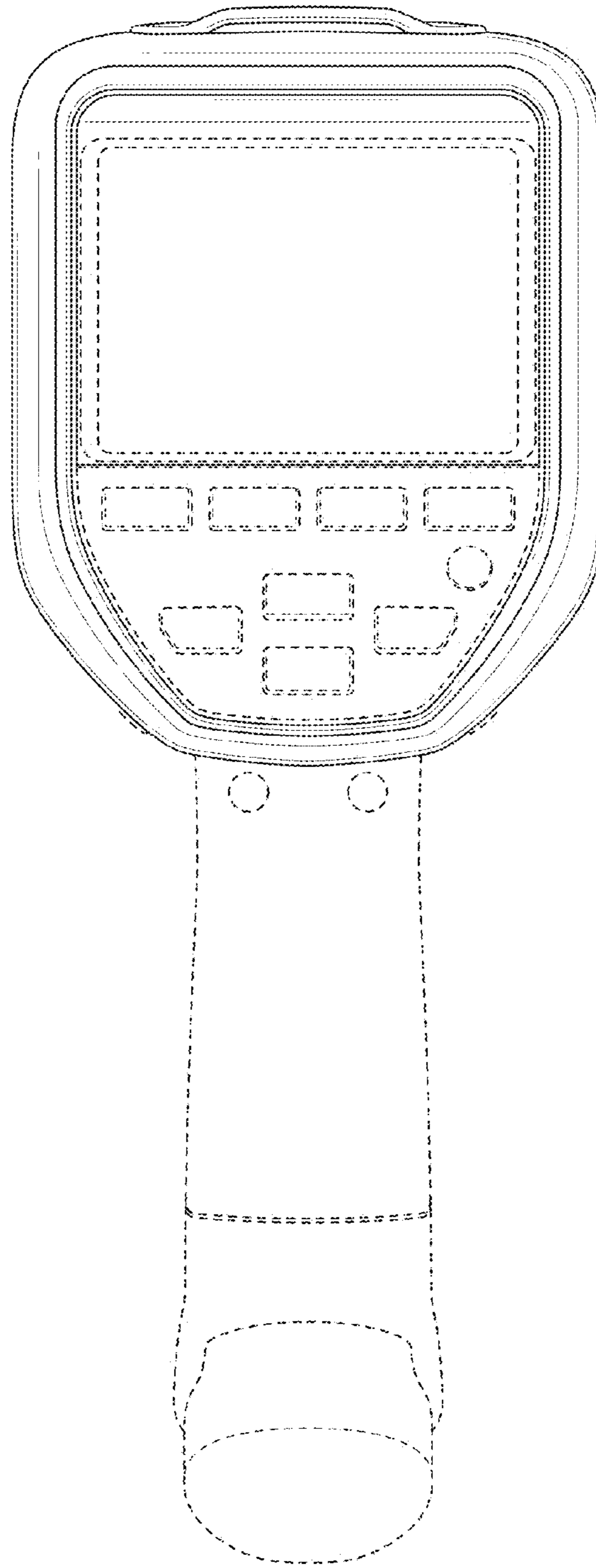


FIG. 2

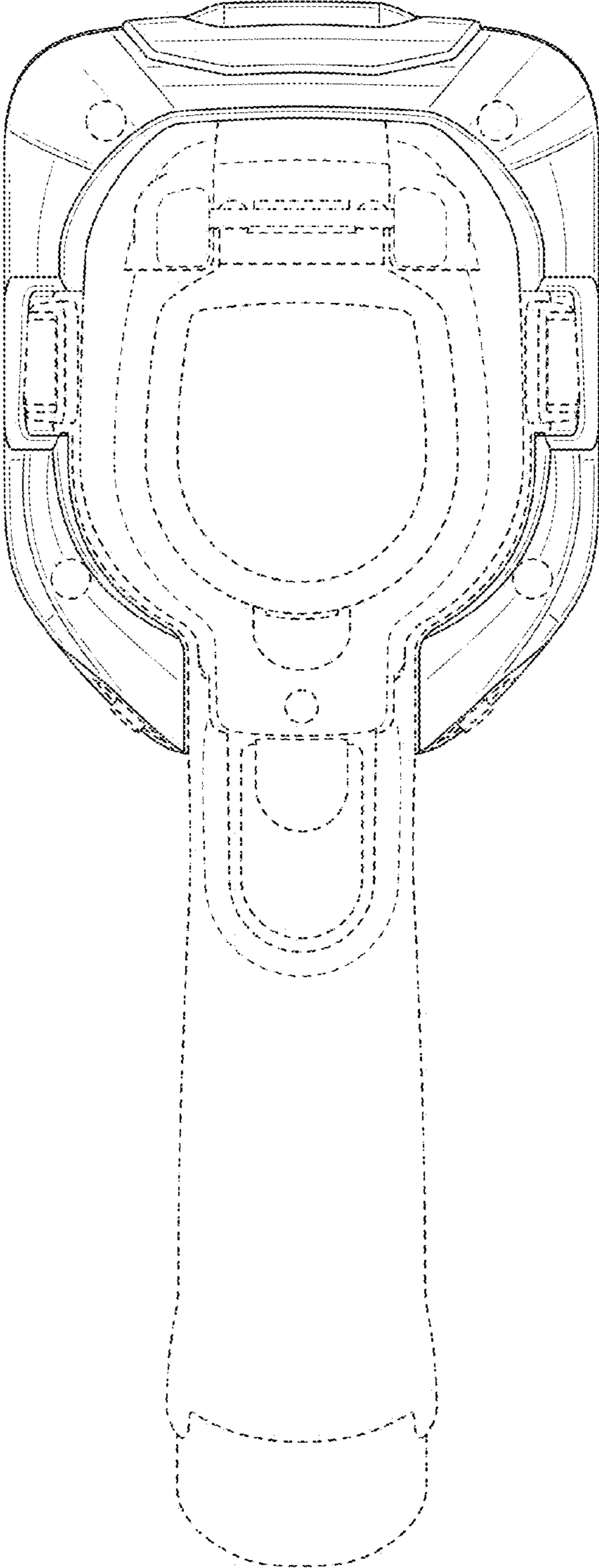


FIG. 3

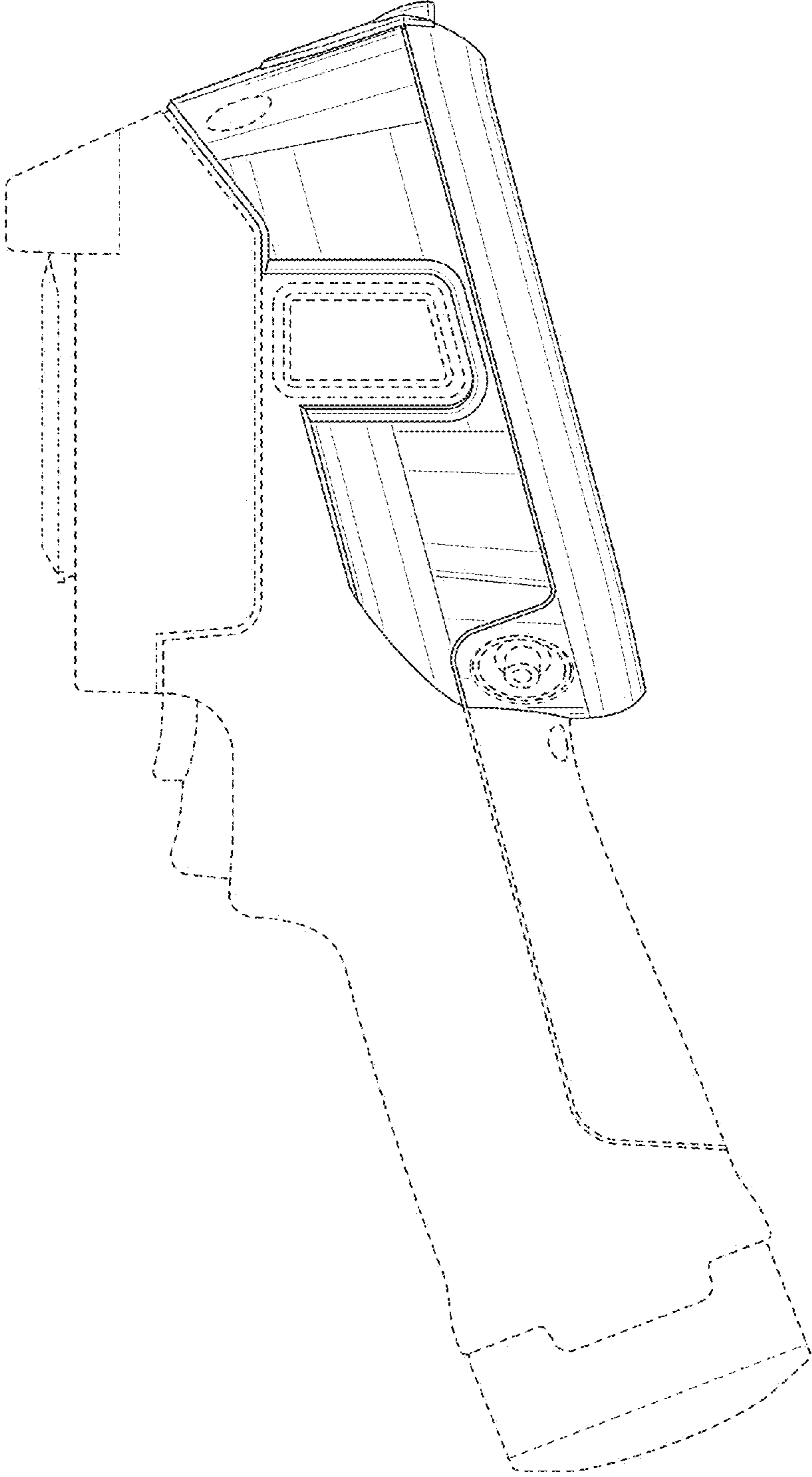


FIG. 4

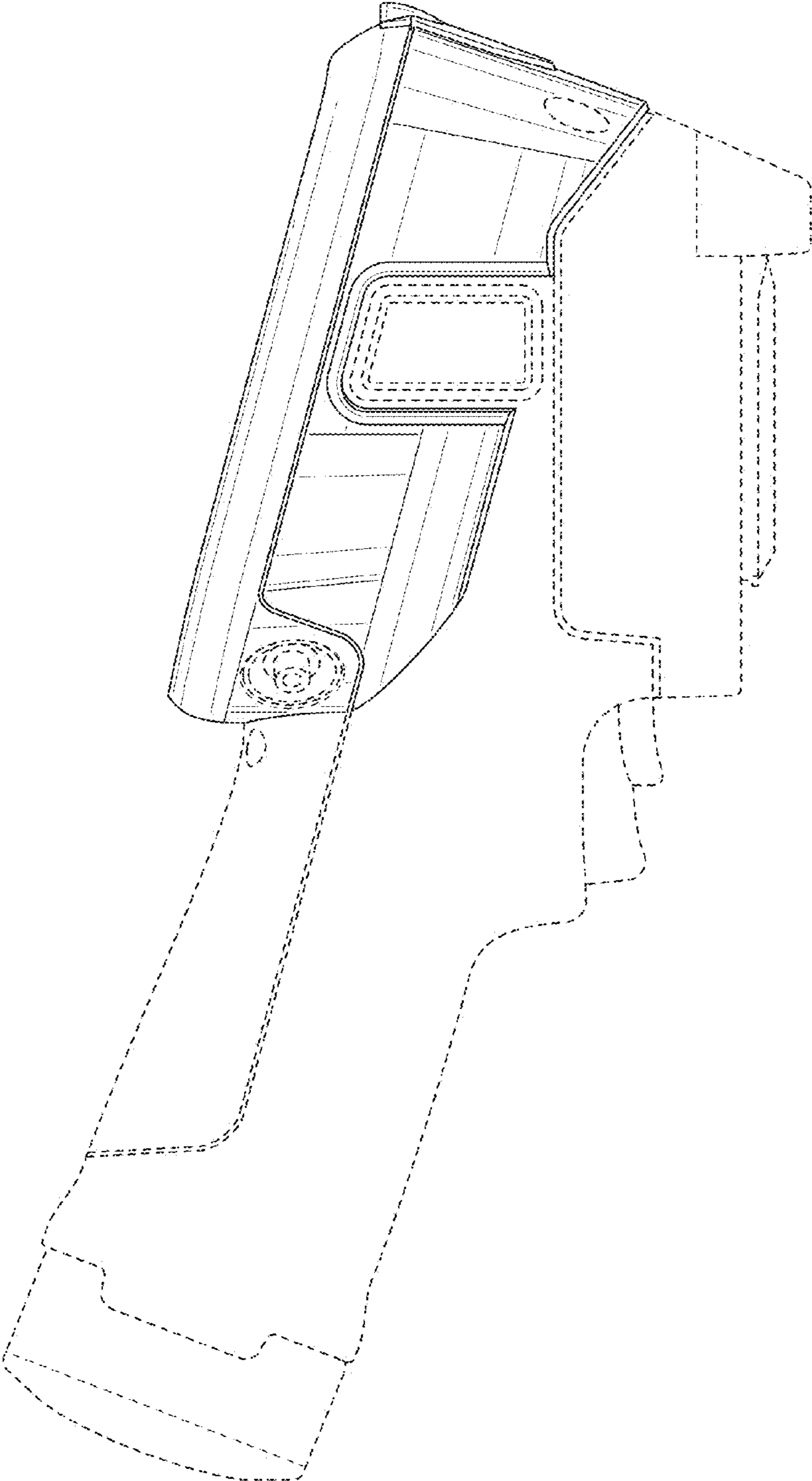


FIG. 5

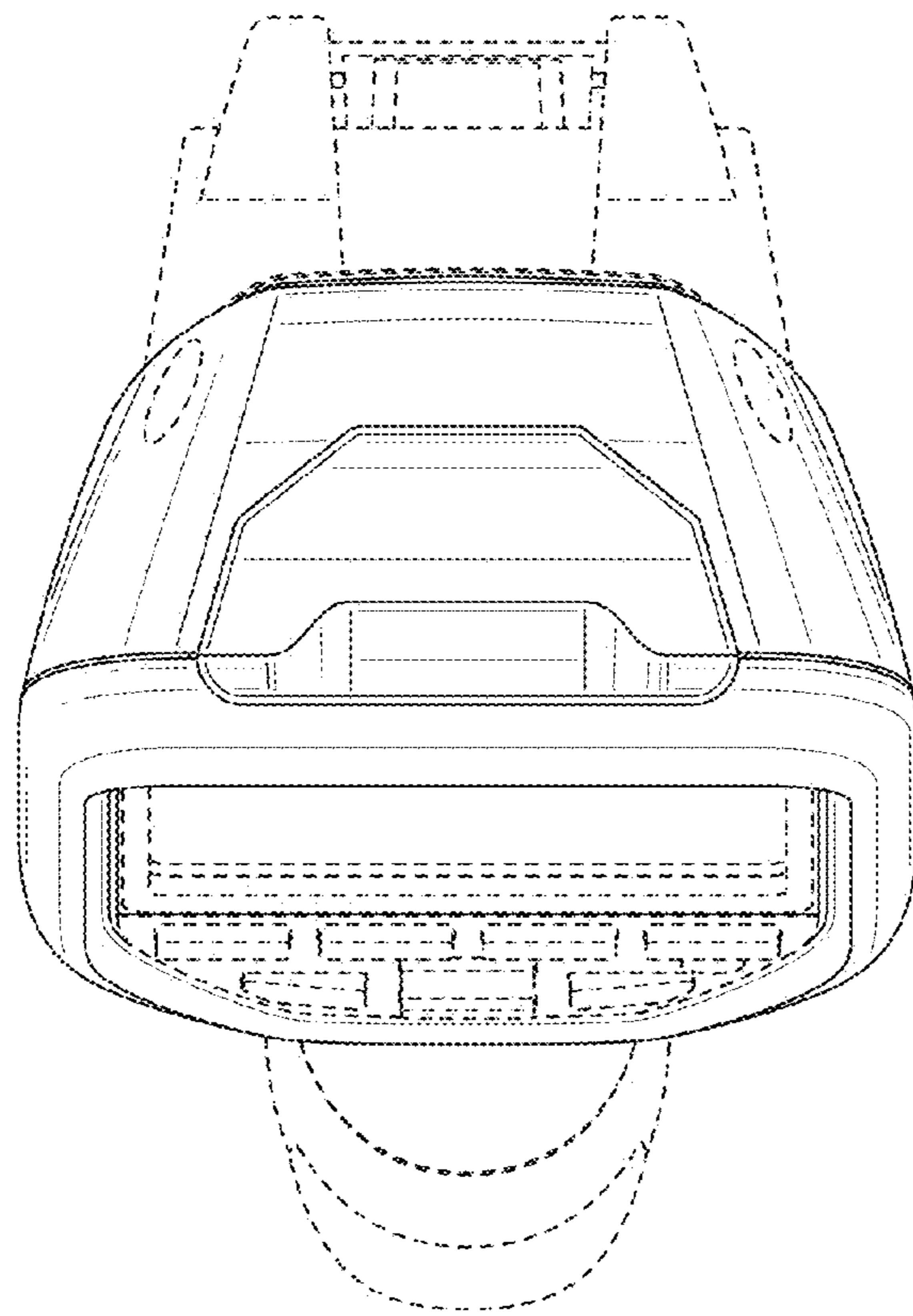


FIG. 6

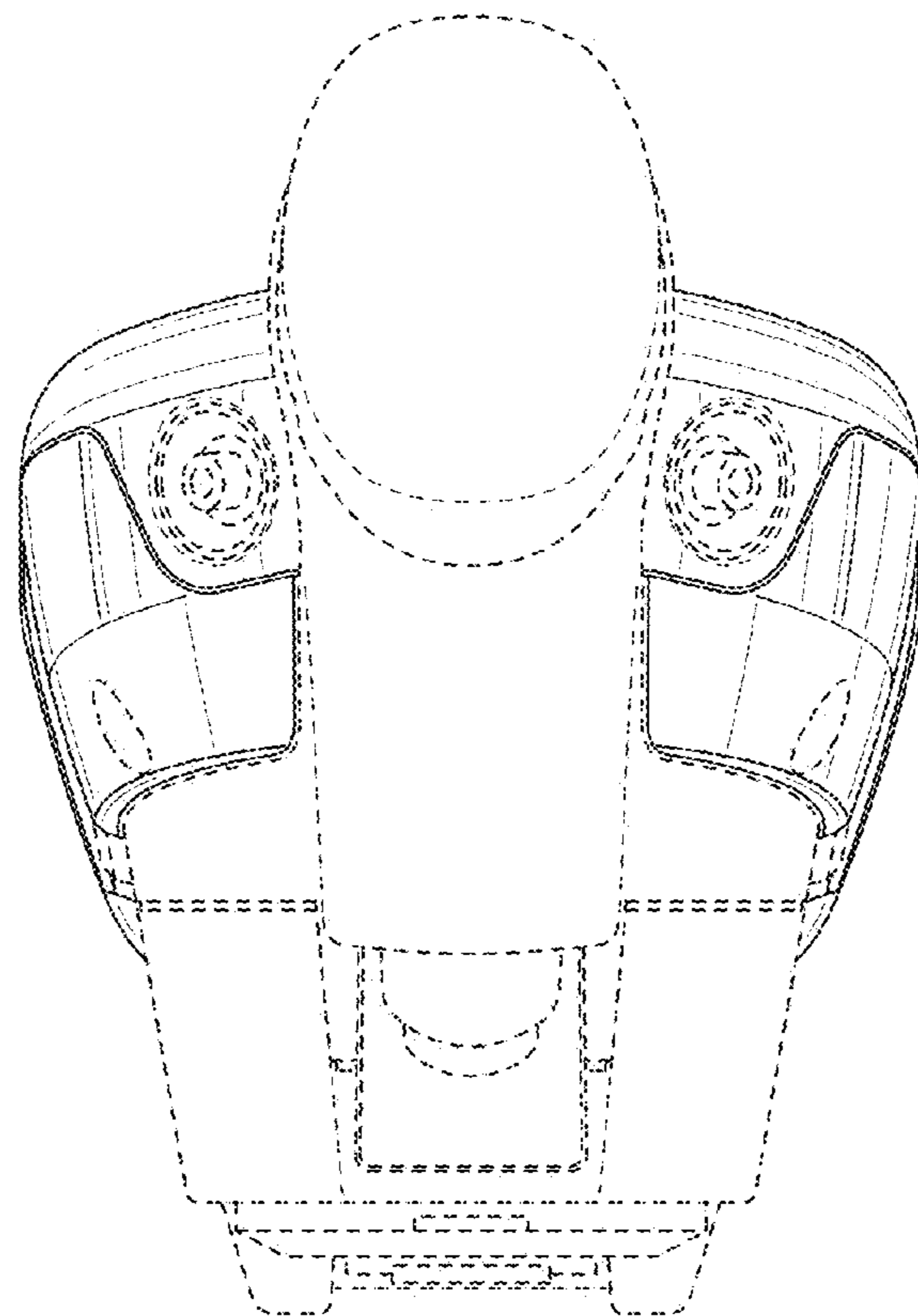


FIG. 7