



US00D757836S

(12) **United States Design Patent**
Miyazaki

(10) **Patent No.:** **US D757,836 S**

(45) **Date of Patent:** **** May 31, 2016**

(54) **VIDEO CAMERA**

(75) Inventor: **Takeshi Miyazaki**, Tokyo (JP)

(73) Assignee: **Sony Corporation**, Tokyo (JP)

(**) Term: **14 Years**

(21) Appl. No.: **29/421,438**

(22) Filed: **Jul. 27, 2012**

(51) **LOC (10) Cl.** **16-05**

(52) **U.S. Cl.**
USPC **D16/219**

(58) **Field of Classification Search**

USPC D16/200, 202–208, 218, 219;
348/373–376; 396/535, 539–541
CPC G03B 15/03; G03B 17/02; G03B 17/04;
G03B 17/56; G03B 19/04; H04N 5/2251;
H04N 5/2252; H04N 5/2253; H04N 5/2254;
H04N 2101/00

See application file for complete search history.

(56) **References Cited**

U.S. PATENT DOCUMENTS

3,667,365	A *	6/1972	Fujimoto et al.	396/505
D257,258	S *	10/1980	Schlagheck et al.	D16/205
D410,663	S *	6/1999	Ogasawara	D16/202
D421,618	S *	3/2000	Chen	D16/202
D463,809	S *	10/2002	Lo	D16/202
D484,164	S *	12/2003	Ogura	D16/219
D486,510	S *	2/2004	Ogura	D16/219
D523,457	S *	6/2006	Tan	D16/202
D524,343	S *	7/2006	Naruki	D16/202
D556,803	S *	12/2007	Ishida	D16/203
D568,362	S *	5/2008	Horikiri et al.	D16/212

(Continued)

FOREIGN PATENT DOCUMENTS

JP	D1149265	S	8/2002
JP	D1228745	S	1/2005

(Continued)

OTHER PUBLICATIONS

Web page, “Camcorders—Sony Develops an Ultra Compact HD Video Camera Solution for Point-of-View Shooting and Action Sports”, https://news.sel.sony.com/en/press_room/consumer/digital_imaging/camcorders/release/63286.html?CSRT=16081534960929536390, 2 sheets, Sony Electronics Inc., Jun. 26, 2012.

(Continued)

Primary Examiner — Adir Aronovich

Assistant Examiner — Ramzi Almatrahi

(74) *Attorney, Agent, or Firm* — Michael Best & Friedrich LLP

(57) **CLAIM**

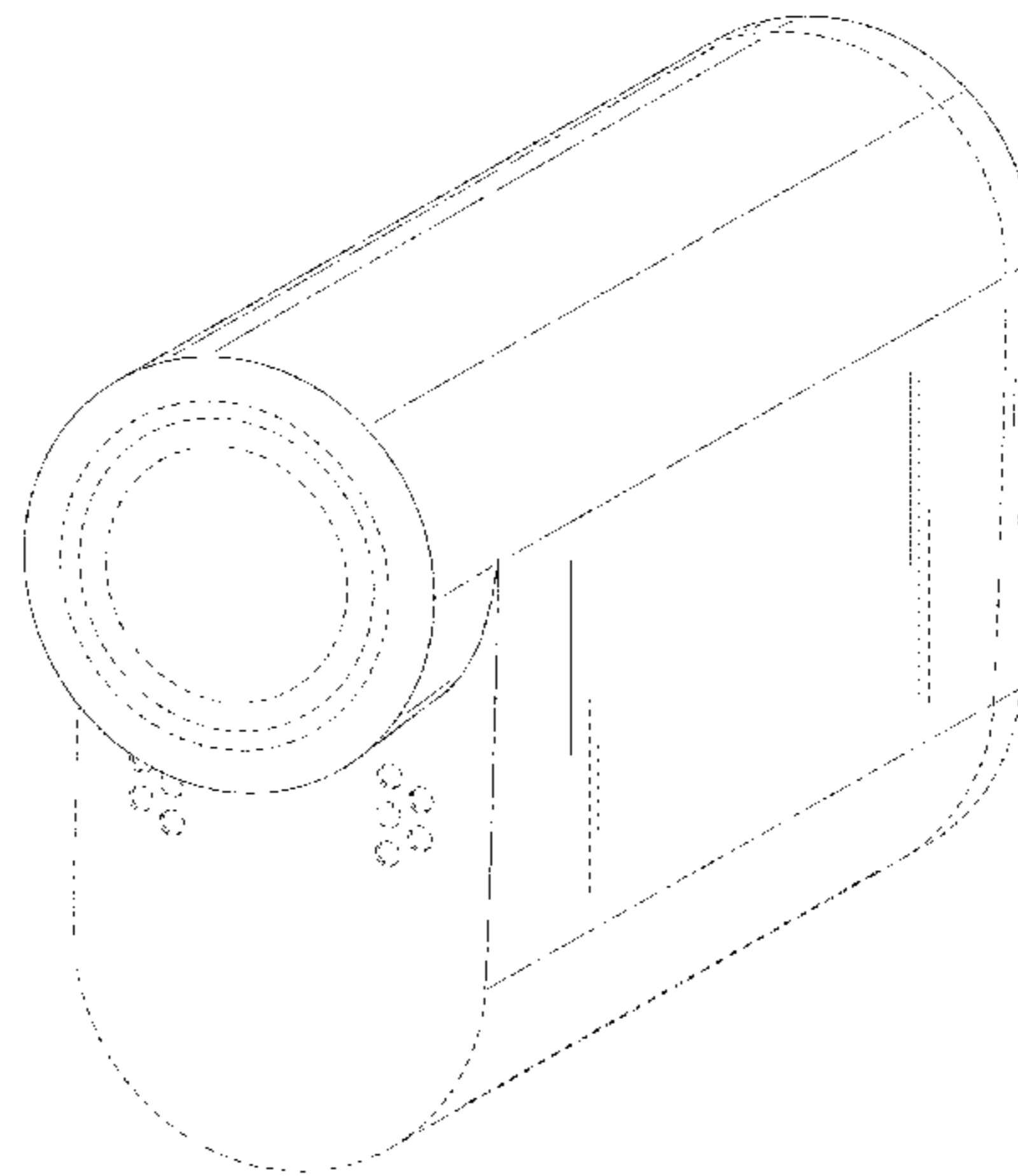
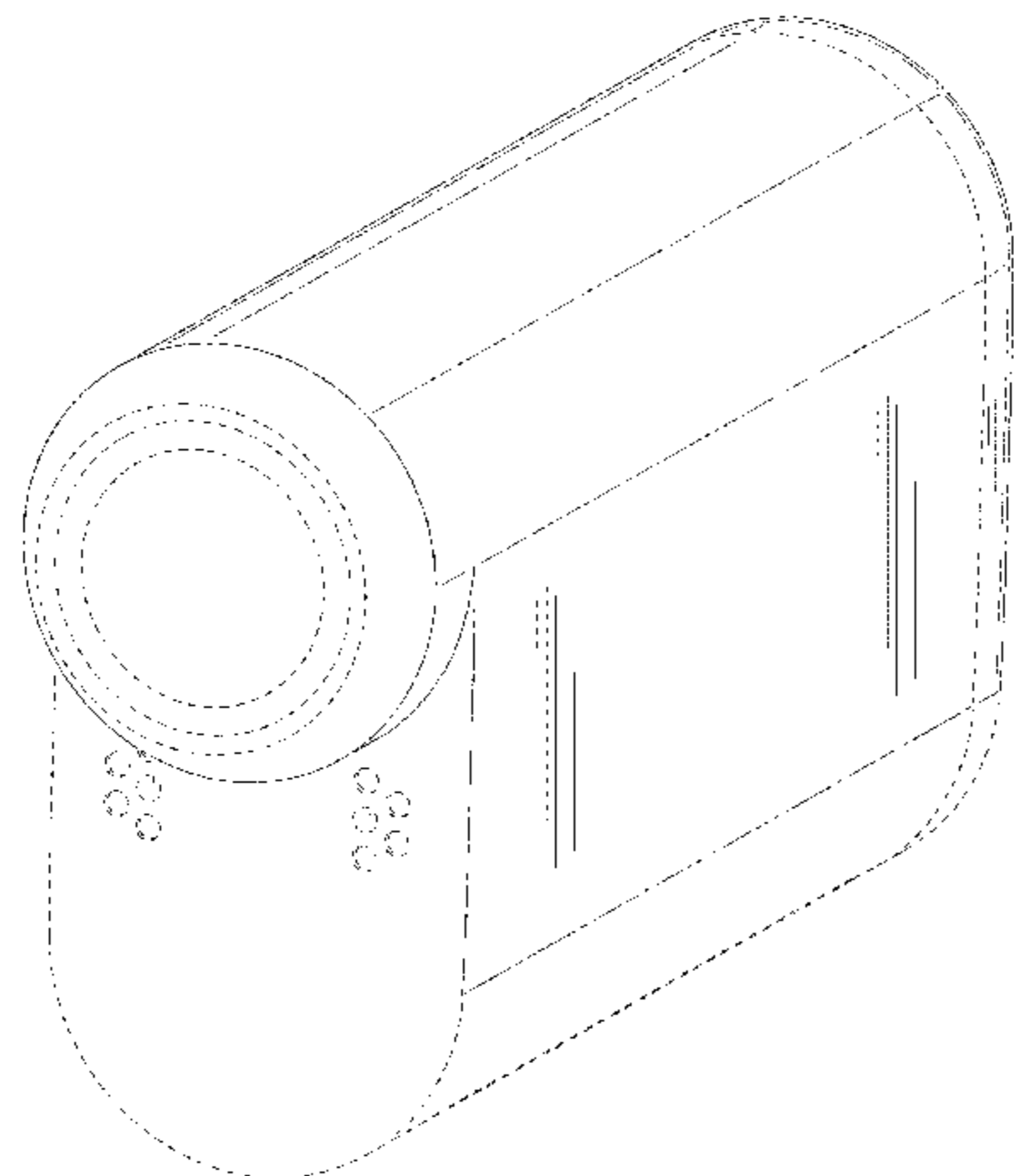
The ornamental design for a video camera, as shown and described.

DESCRIPTION

FIG. 1 is a perspective view of a first embodiment of a video camera showing my new design;
FIG. 2 is a front elevational view thereof;
FIG. 3 is a rear elevational view thereof;
FIG. 4 is a left side elevational view thereof;
FIG. 5 is a right side elevational view thereof;
FIG. 6 is a top plan view thereof; and
FIG. 7 is a bottom plan view thereof.
FIG. 8 is a perspective view of a second embodiment showing my new design;
FIG. 9 is a front elevational view thereof;
FIG. 10 is a rear elevational view thereof;
FIG. 11 is a left side elevational view thereof;
FIG. 12 is a right side elevational view thereof;
FIG. 13 is a top plan view thereof; and,
FIG. 14 is a bottom plan view thereof.

The broken lines depict portions of a video camera in which the design is embodied and form no part of the claimed design. The dot-dash lines denote the boundary of the claim and form no part of the claimed design.

1 Claim, 10 Drawing Sheets



(56)

References Cited

U.S. PATENT DOCUMENTS

D571,839 S * 6/2008 Andresen D16/202
 D594,497 S * 6/2009 Hatori et al. D16/202
 D598,942 S * 8/2009 Yanai et al. D16/202
 D616,006 S 5/2010 Green et al.
 D621,435 S * 8/2010 Green et al. D16/219
 D631,497 S * 1/2011 Han et al. D16/202
 D636,421 S * 4/2011 Sagen et al. D16/202
 D640,721 S * 6/2011 Satine D16/204
 D640,722 S * 6/2011 Green et al. D16/219
 D660,339 S * 5/2012 Yoshida D16/202
 8,253,796 B2 * 8/2012 Renkis 348/143
 D694,797 S * 12/2013 Parker D16/203
 2008/0012980 A1 * 1/2008 Yamane et al. 348/373

FOREIGN PATENT DOCUMENTS

JP D1302303 S 6/2007
 JP D1316584 S 12/2007
 JP D1341471 S 10/2008
 JP D1404062 S 12/2010
 JP D1430212 S 12/2011
 JP D1430213 S 12/2011

OTHER PUBLICATIONS

Web page, "First Look: Sony's new action camera", <http://blog.sony.com/povcamera>, 9 sheets, Sony Electronics Inc., Jun. 26, 2012.

* cited by examiner

FIG. 1

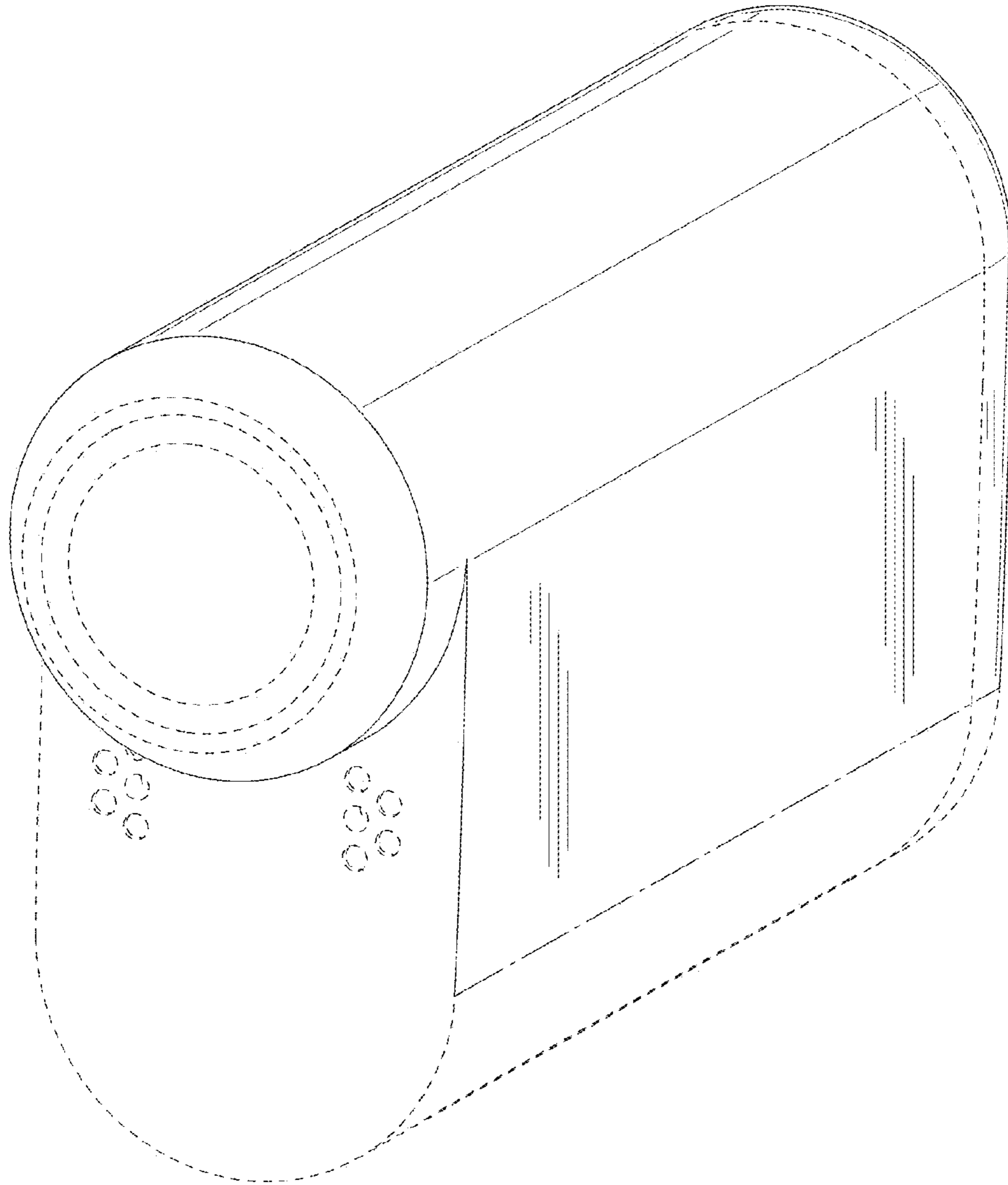


FIG.2

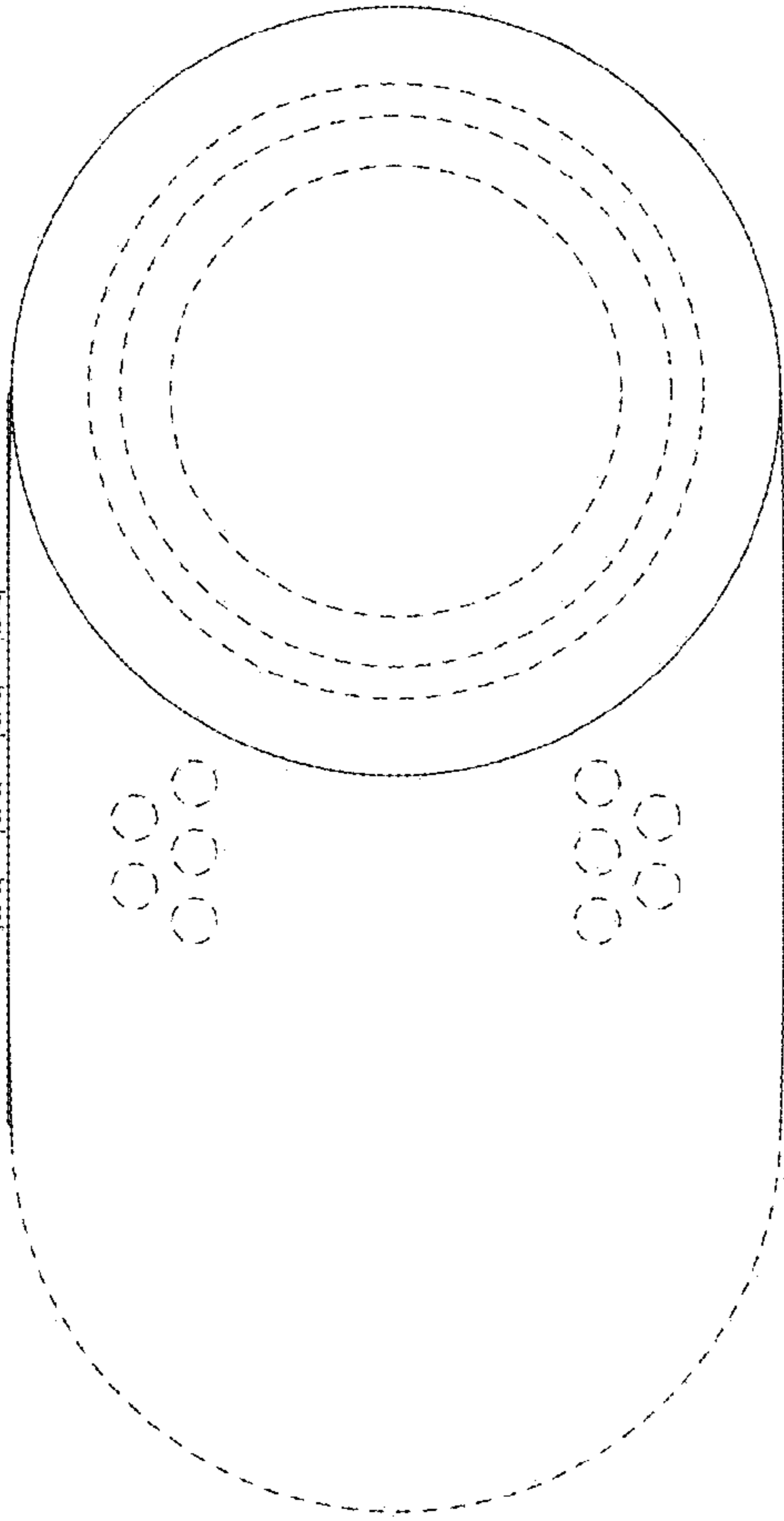


FIG.3

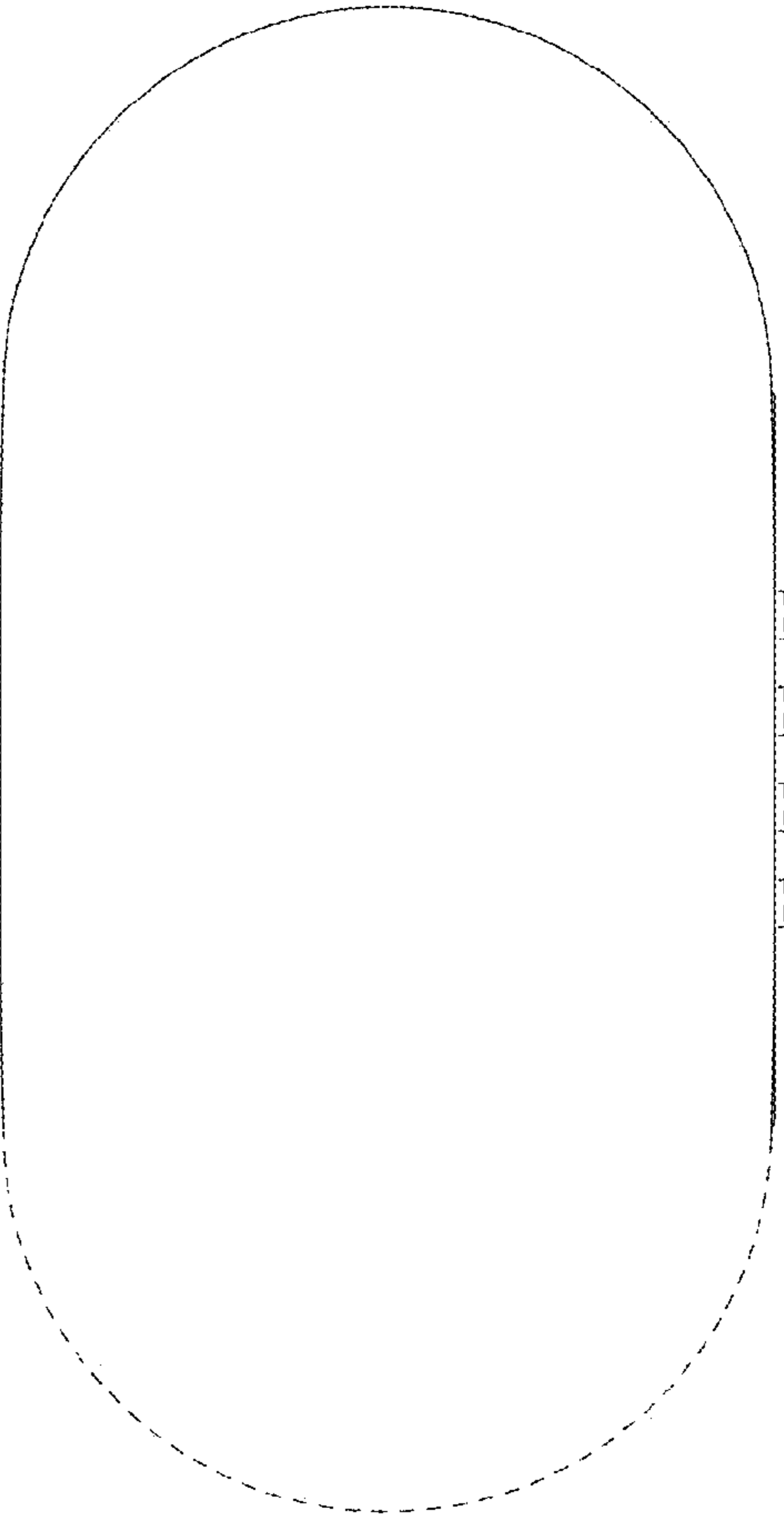


FIG.4

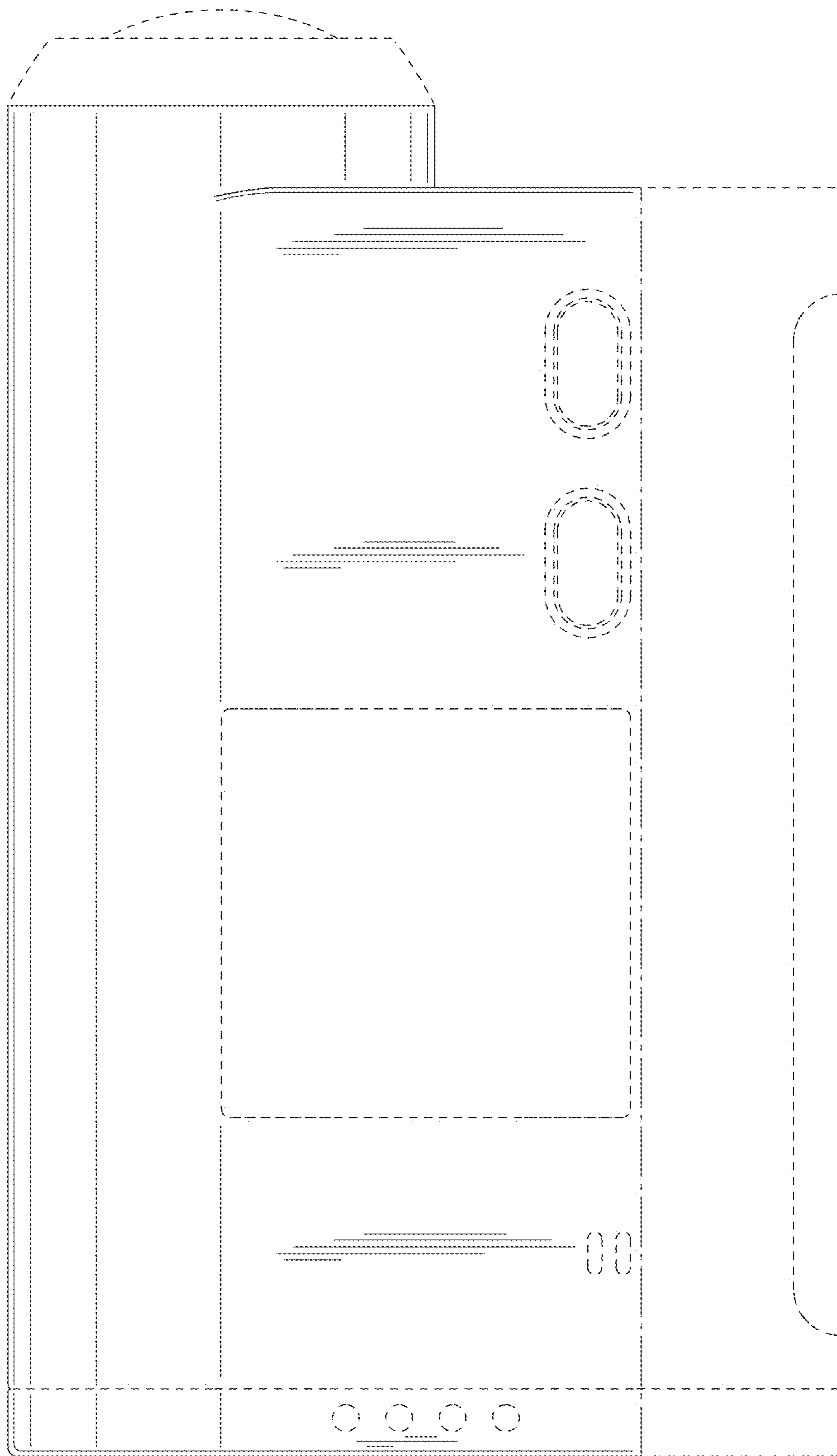


FIG. 5

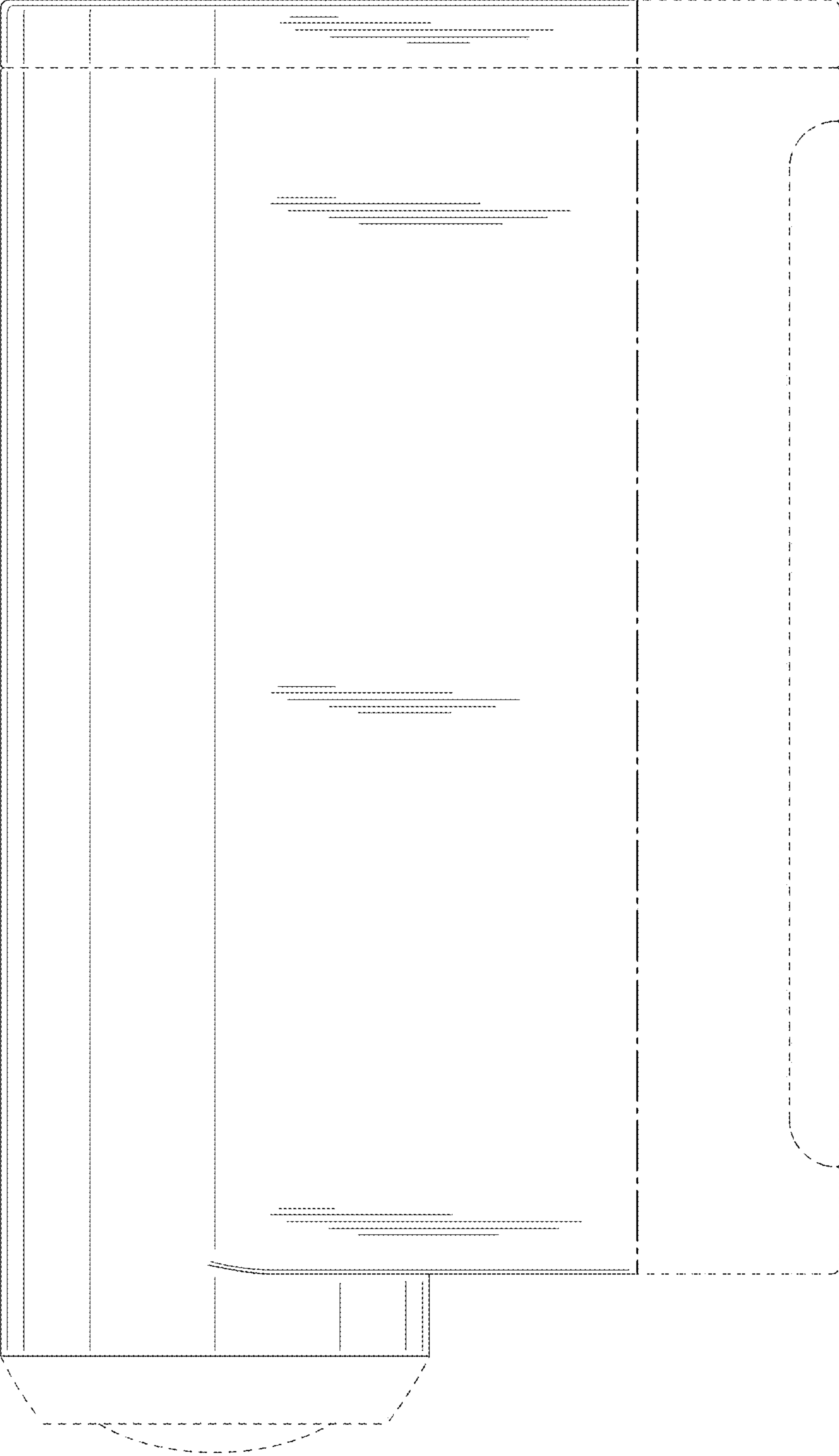


FIG.6

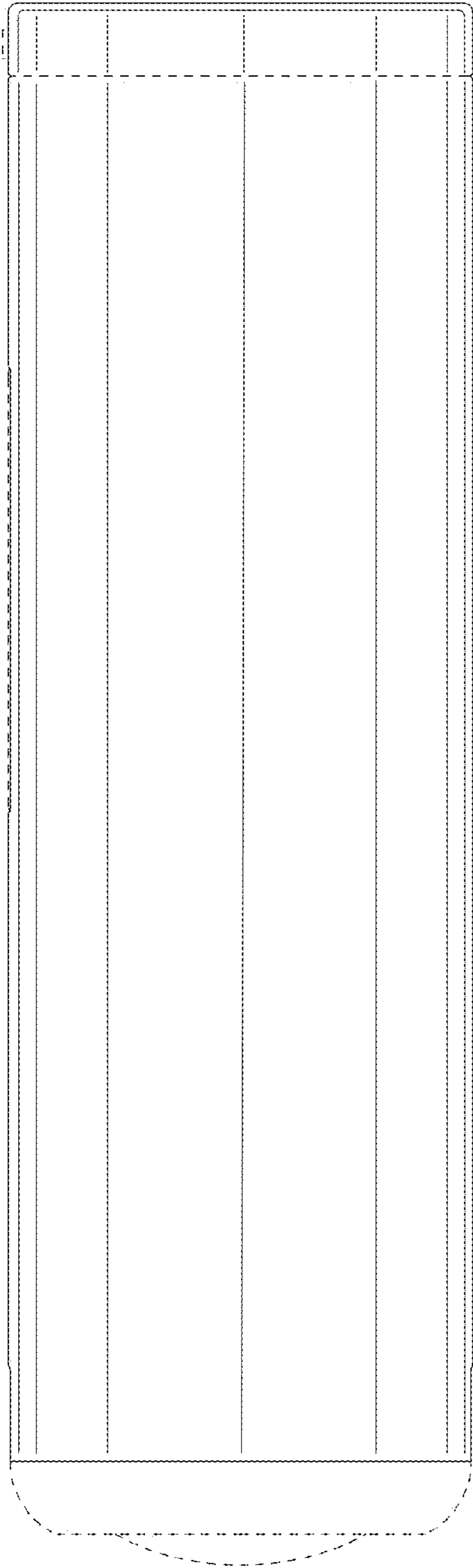


FIG.7

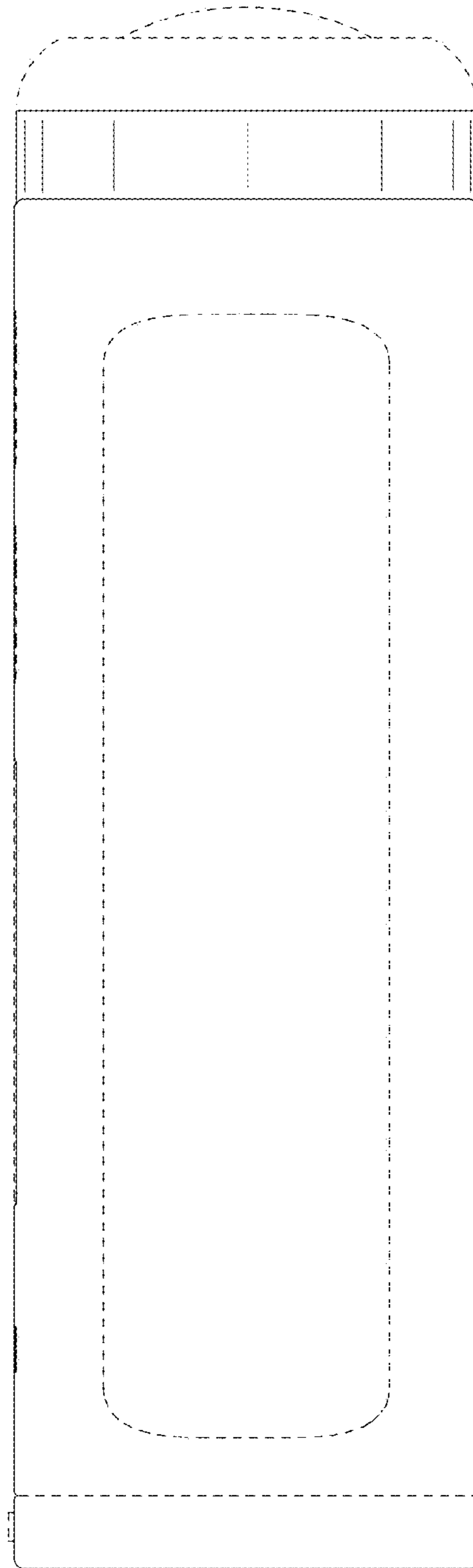


FIG.8

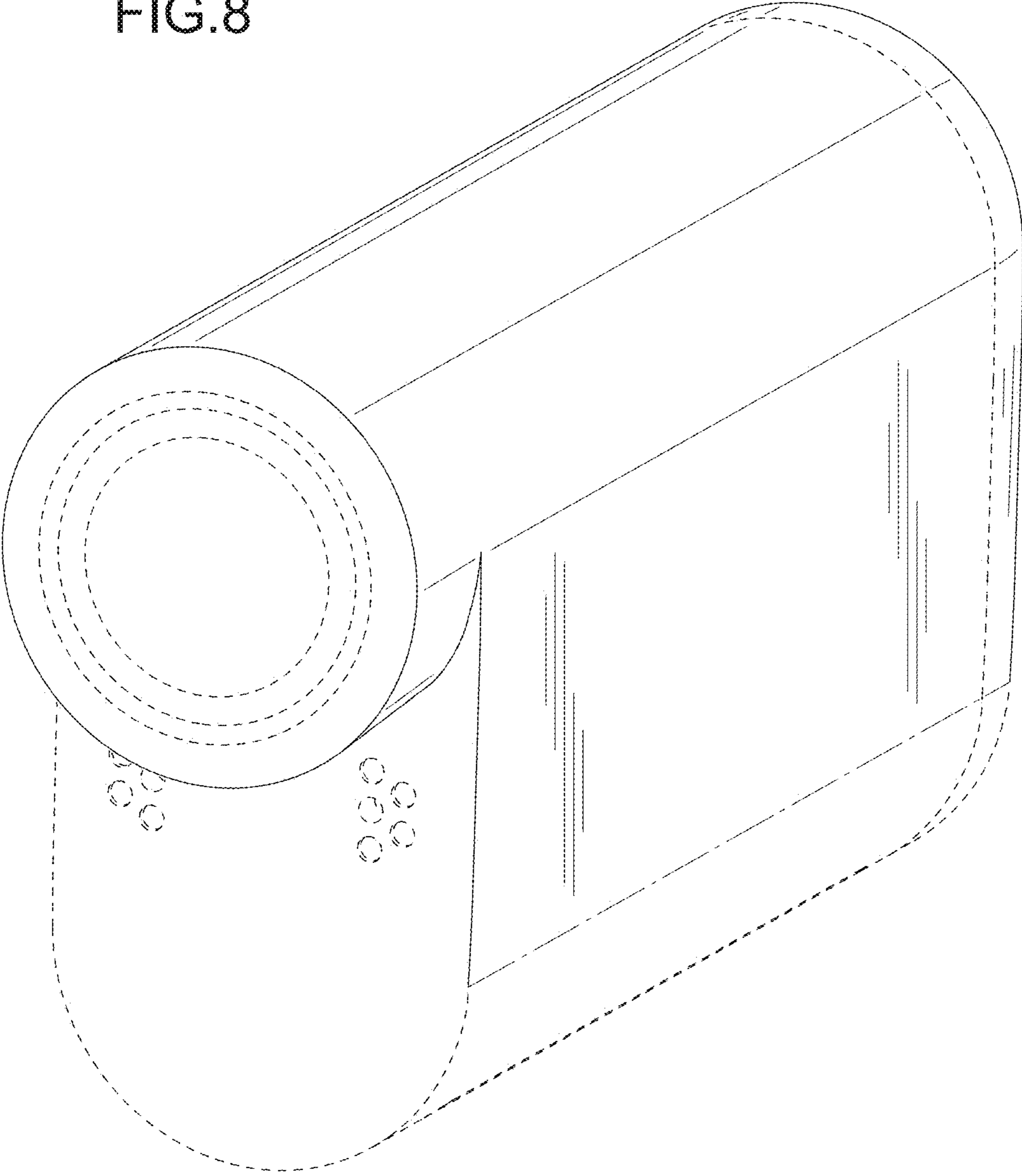


FIG.9

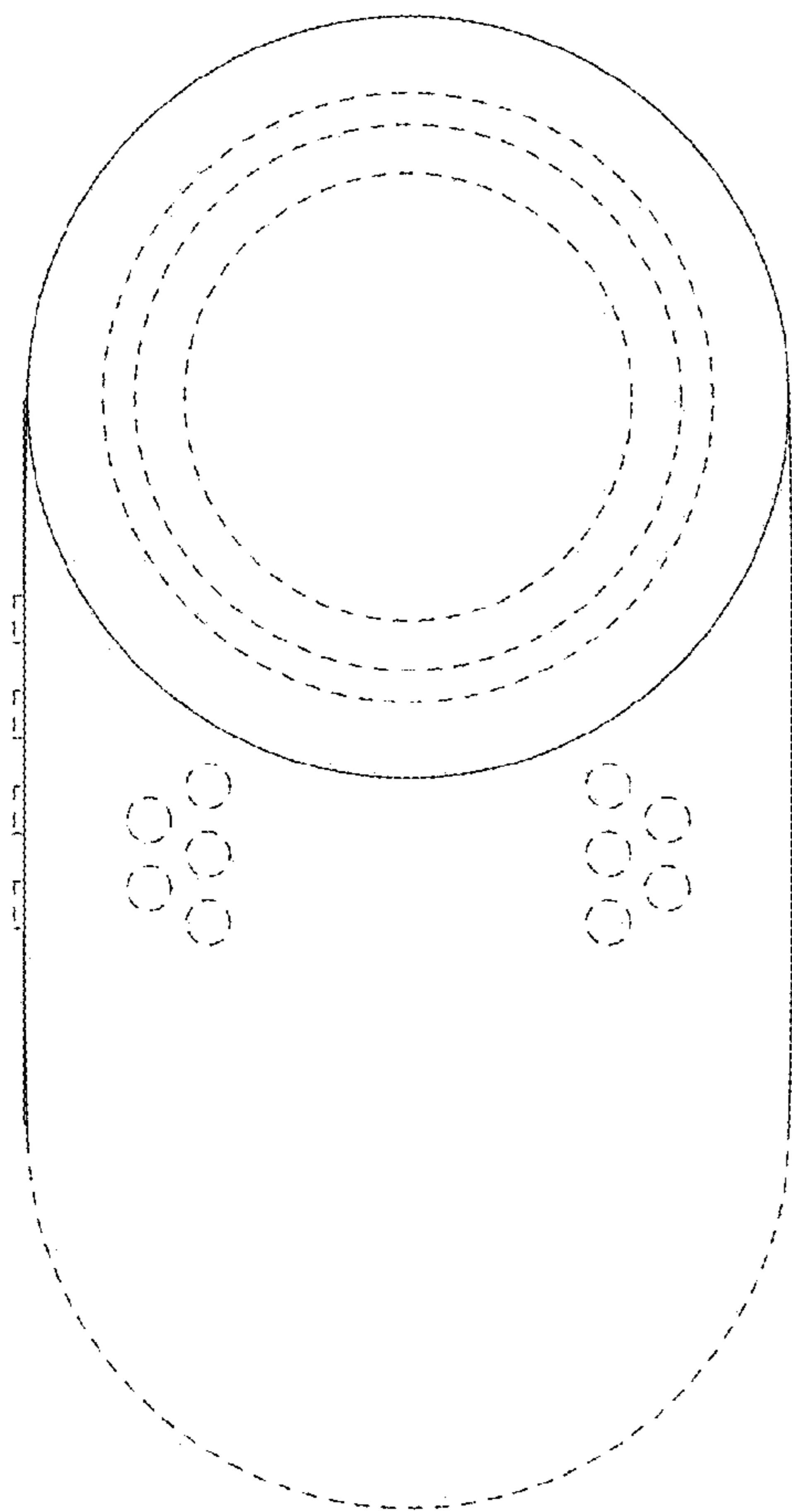


FIG.10

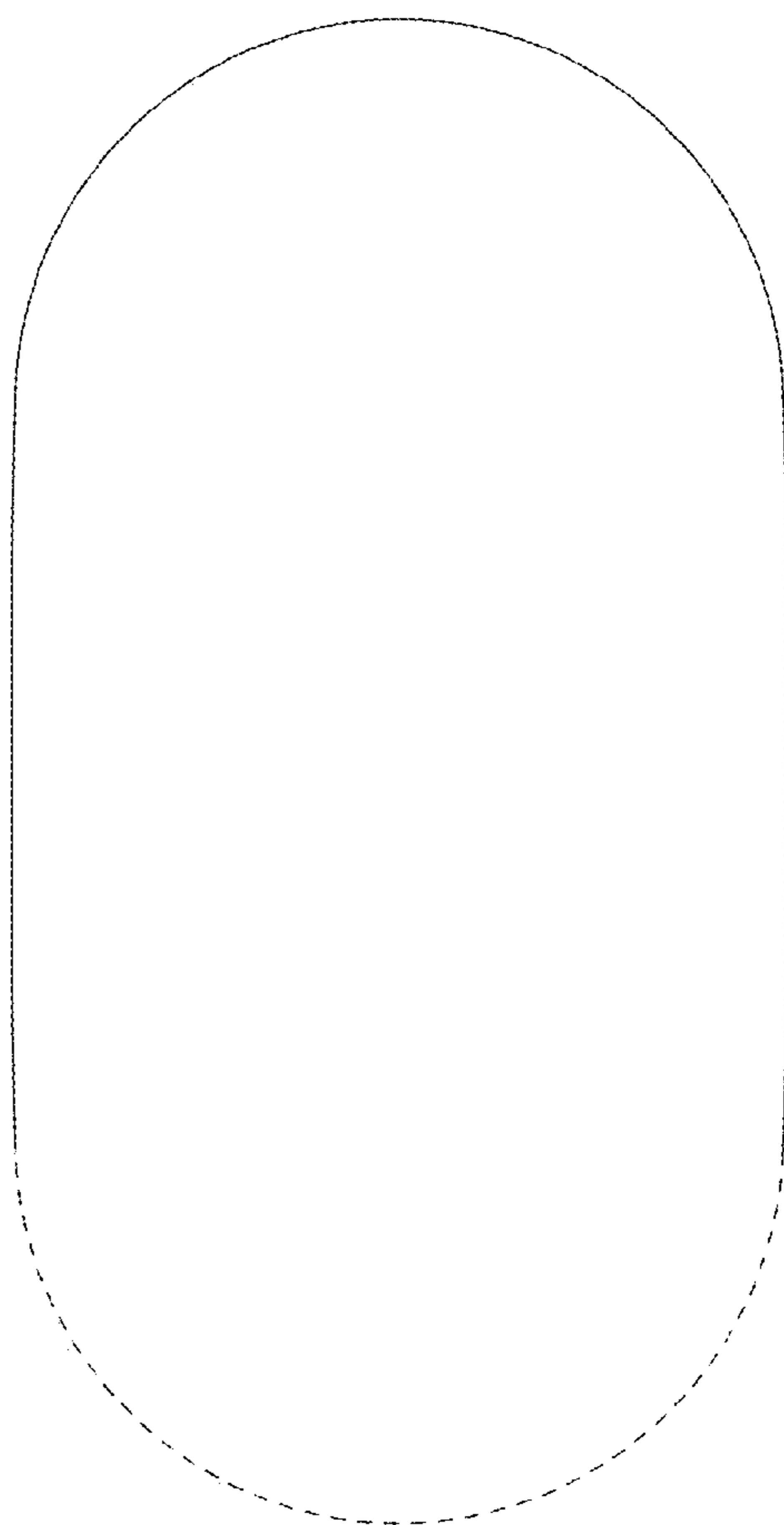


FIG.11

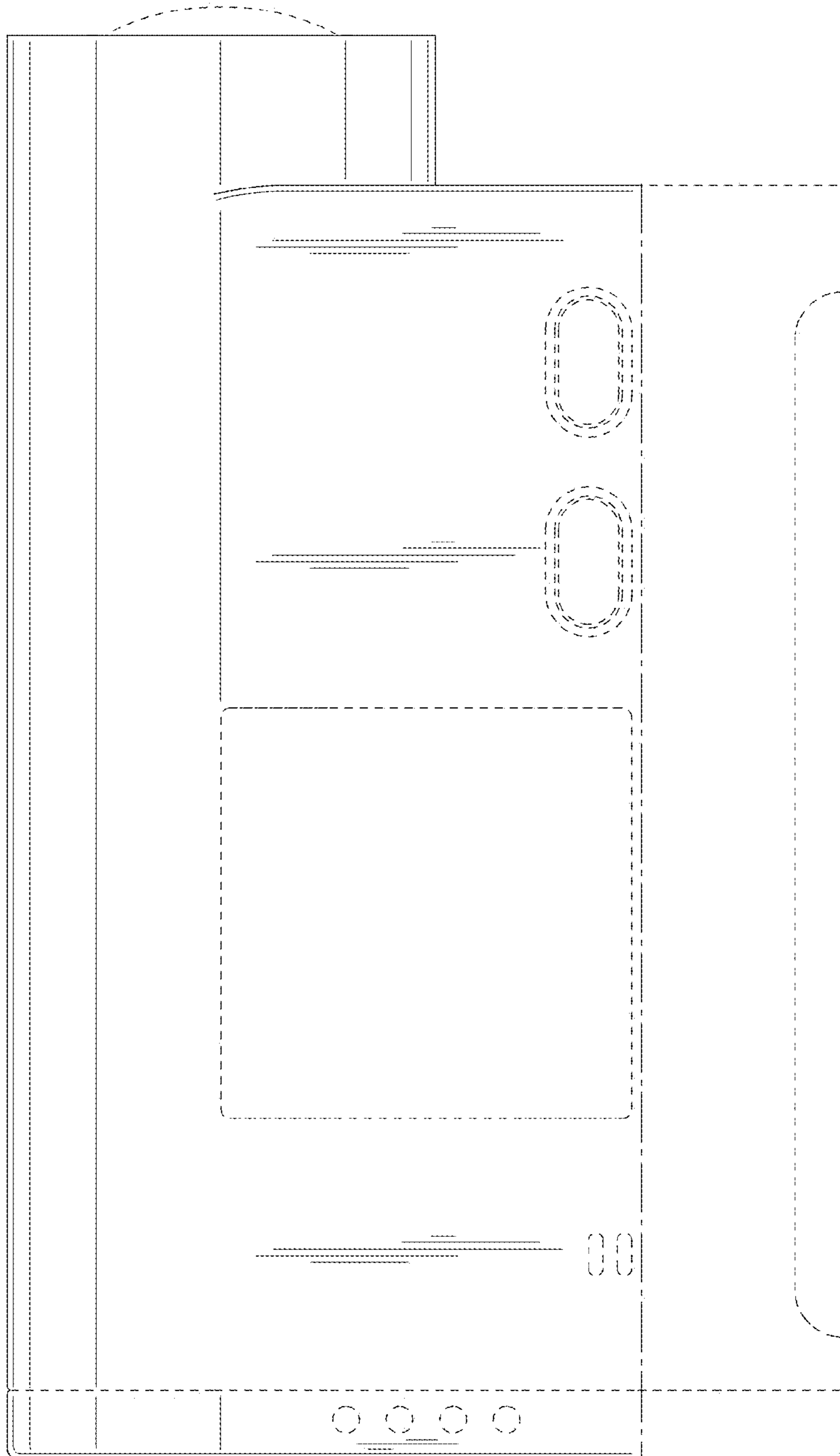


FIG.12

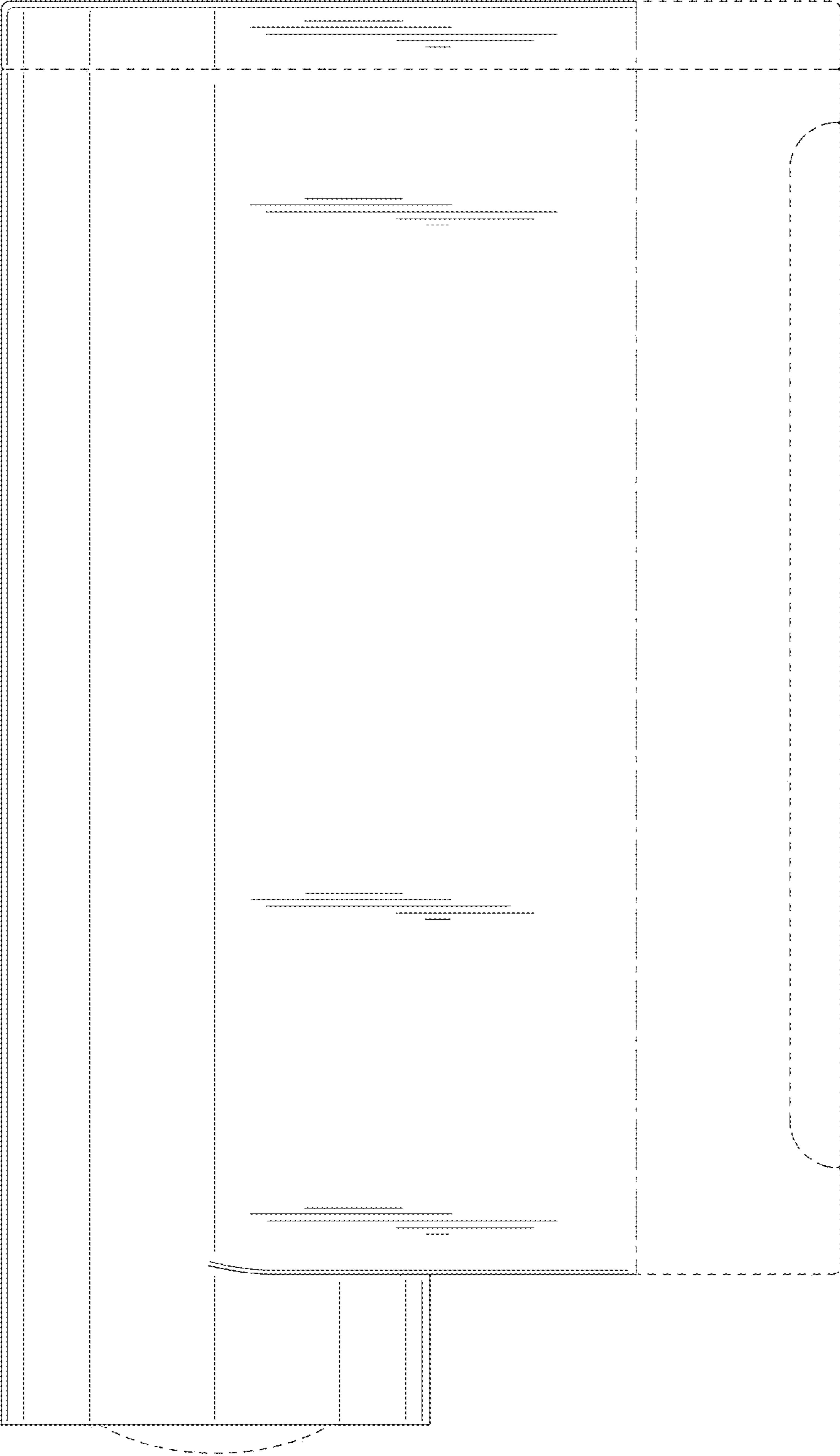


FIG.13

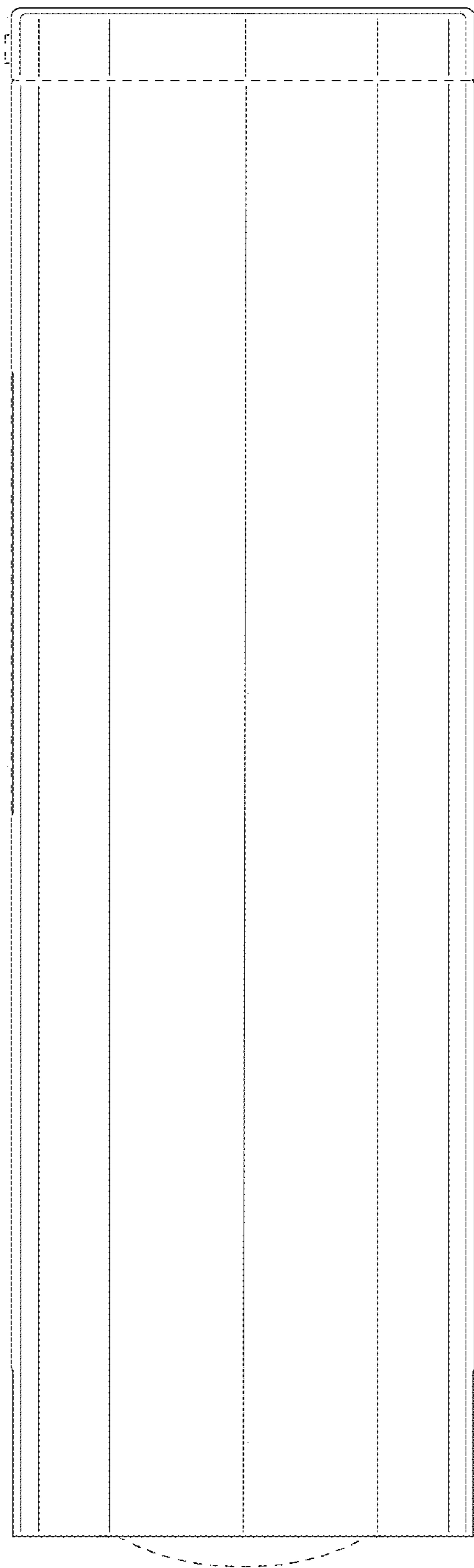


FIG.14

