



US00D757835S

(12) **United States Design Patent**  
**Tabuchi**

(10) **Patent No.:** **US D757,835 S**  
(45) **Date of Patent:** **\*\* May 31, 2016**

(54) **CAMERA**  
(71) Applicant: **Elmo Co., Ltd.**, Nagoya-shi, Aichi (JP)  
(72) Inventor: **Junichiro Tabuchi**, Osaka (JP)  
(73) Assignee: **Elmo Co., Ltd.**, Nagoya-shi (JP)  
(\*\*) Term: **14 Years**  
(21) Appl. No.: **29/523,886**  
(22) Filed: **Apr. 15, 2015**

(30) **Foreign Application Priority Data**  
Dec. 8, 2014 (JP) ..... D2014-027367  
(51) **LOC (10) Cl.** ..... **16-01**  
(52) **U.S. Cl.**  
USPC ..... **D16/203**  
(58) **Field of Classification Search**  
USPC ..... D16/200, 202–205, 208, 218, 219, 242;  
348/14.01–14.06, 143, 148, 151,  
348/373–376; 396/419, 427, 535, 539–541;  
248/176.1, 187.1, 346.5; 224/908  
CPC ..... G03B 17/02; G03B 19/04; G03B 17/56;  
G03B 17/04; G03B 15/03; H04N 5/2251;  
H04N 5/2252; H04N 5/2253; H04N 5/2254;  
H04N 2007/145; H04N 7/141; H04N 7/142;  
H04N 7/147; H04N 7/148; H04N 7/15;  
H04N 17/152  
See application file for complete search history.

(56) **References Cited**  
U.S. PATENT DOCUMENTS  
3,916,097 A \* 10/1975 Imai ..... G08B 13/19619  
348/151  
D399,860 S \* 10/1998 Huang ..... D16/202

D542,320 S \* 5/2007 Cheng ..... D16/203  
D558,249 S \* 12/2007 Hsia ..... D16/203  
7,303,171 B1 \* 12/2007 Chen ..... B60R 11/00  
224/908  
D575,316 S \* 8/2008 Liu ..... D16/202  
D644,259 S \* 8/2011 Barley ..... D16/203  
D678,929 S \* 3/2013 Hancock ..... D16/202  
D690,344 S \* 9/2013 Hollinger ..... D16/200  
D716,863 S \* 11/2014 Zutell ..... D16/203  
D719,202 S \* 12/2014 Lee ..... D16/202  
D741,932 S \* 10/2015 Huang ..... D16/202  
2005/0247845 A1 \* 11/2005 Li ..... F16M 11/12  
248/346.5

\* cited by examiner

*Primary Examiner* — Adir Aronovich  
*Assistant Examiner* — Ramzi Almatrahi  
(74) *Attorney, Agent, or Firm* — Posz Law Group, PLC

(57) **CLAIM**  
The ornamental design for a camera, as shown and described.

**DESCRIPTION**

FIG. 1 is a front, top, and right side perspective view of a camera.  
FIG. 2 is a front elevation view thereof;  
FIG. 3 is a rear elevation view thereof;  
FIG. 4 is a right side elevation view thereof;  
FIG. 5 is a left side elevation view thereof;  
FIG. 6 is a top plan view thereof;  
FIG. 7 is a bottom plan view thereof;  
FIG. 8 is a front, top, and right side perspective view thereof, showing the camera tilted in an upward position; and,  
FIG. 9 is a front, top, and right side perspective view thereof, showing the camera tilted in a downward position.

**1 Claim, 9 Drawing Sheets**

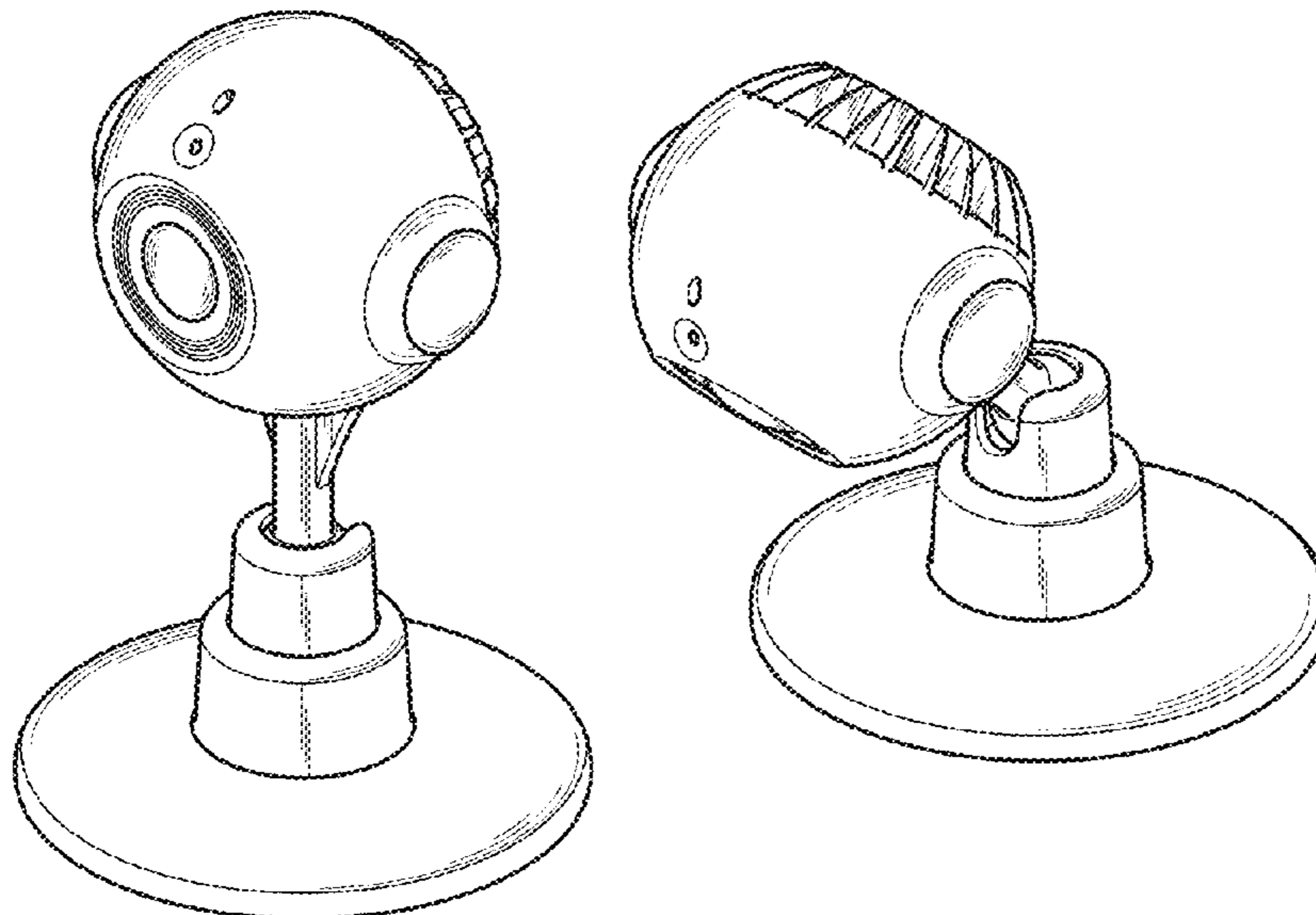


FIG. 1

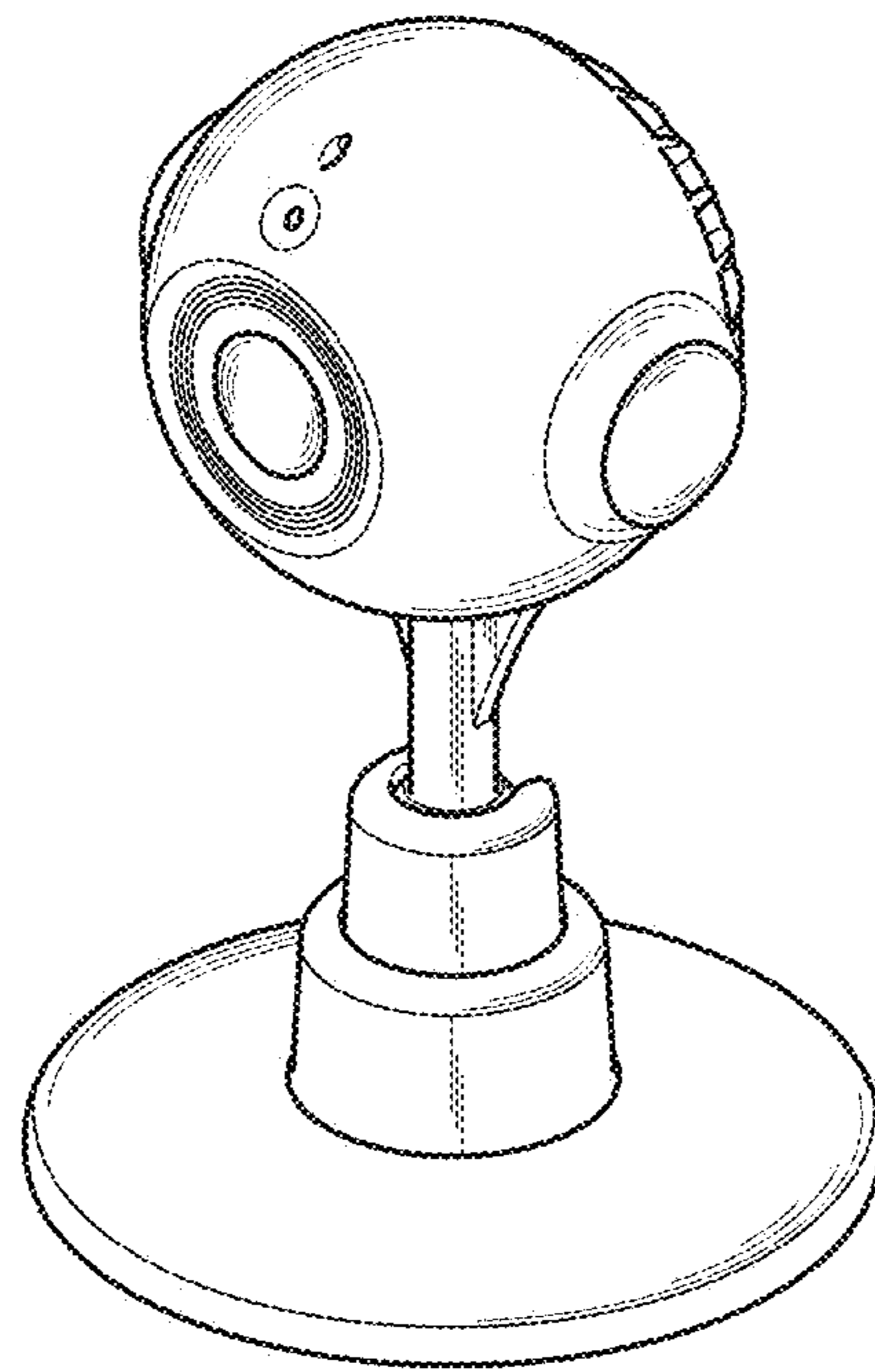


FIG. 2

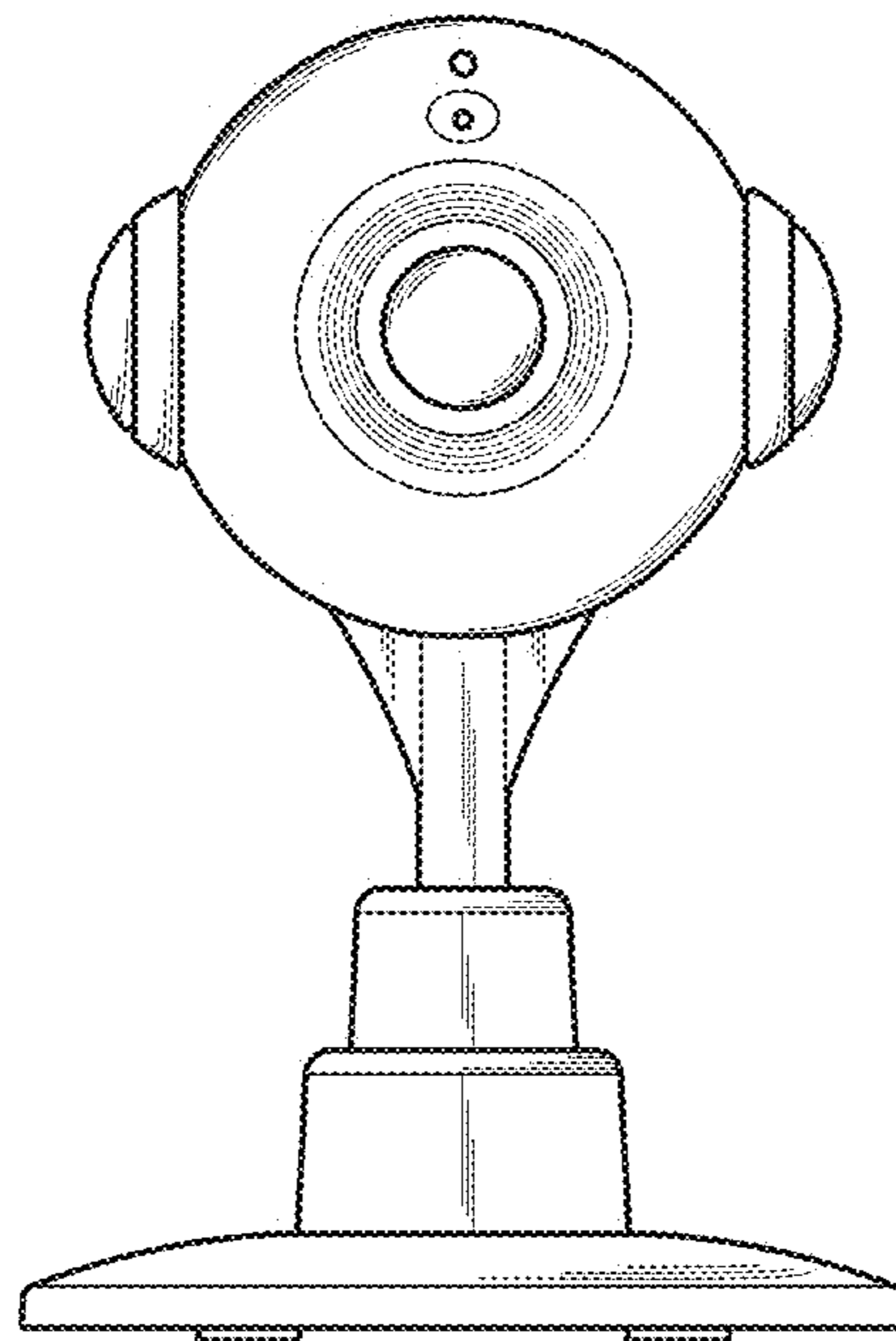


FIG. 3

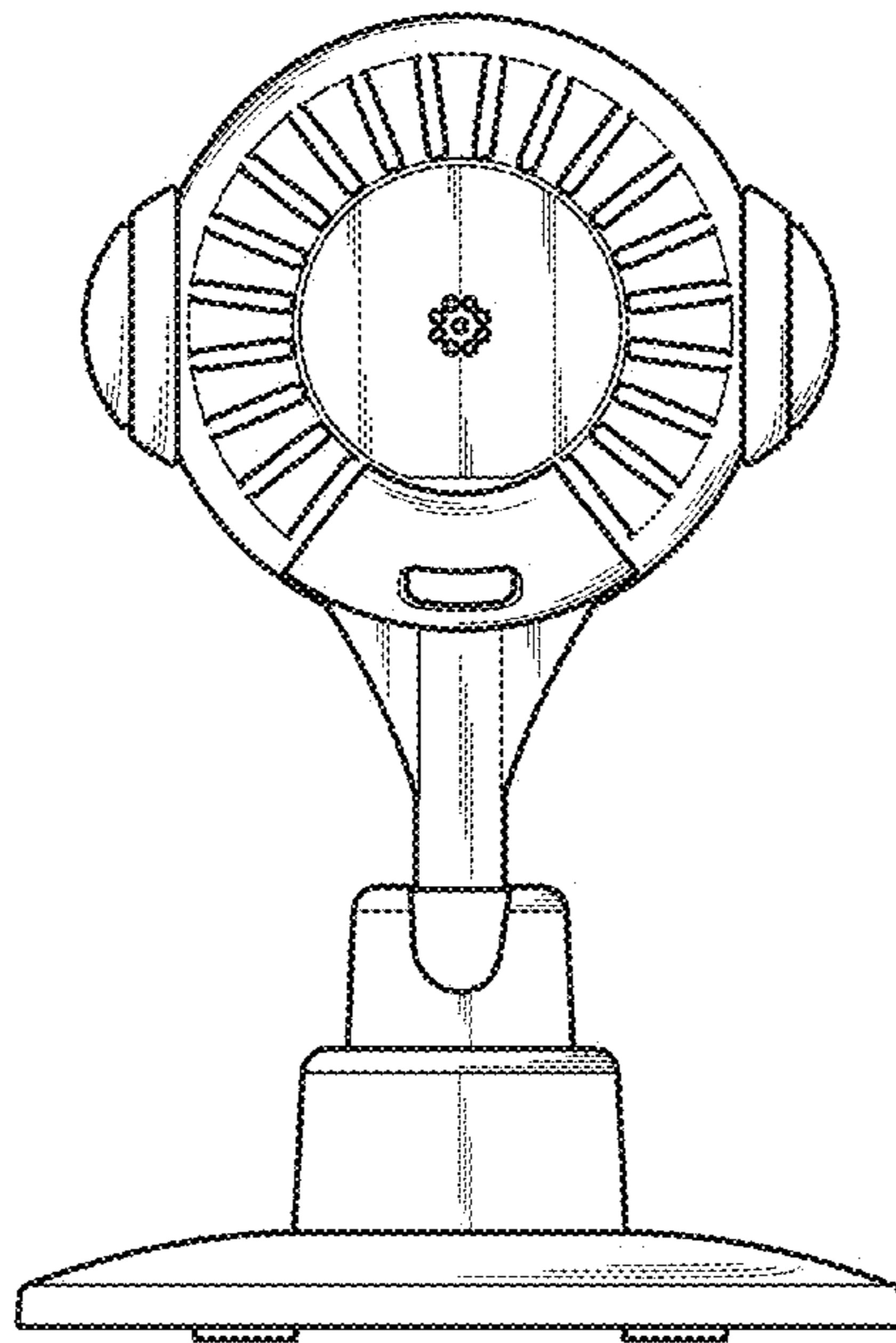


FIG. 4

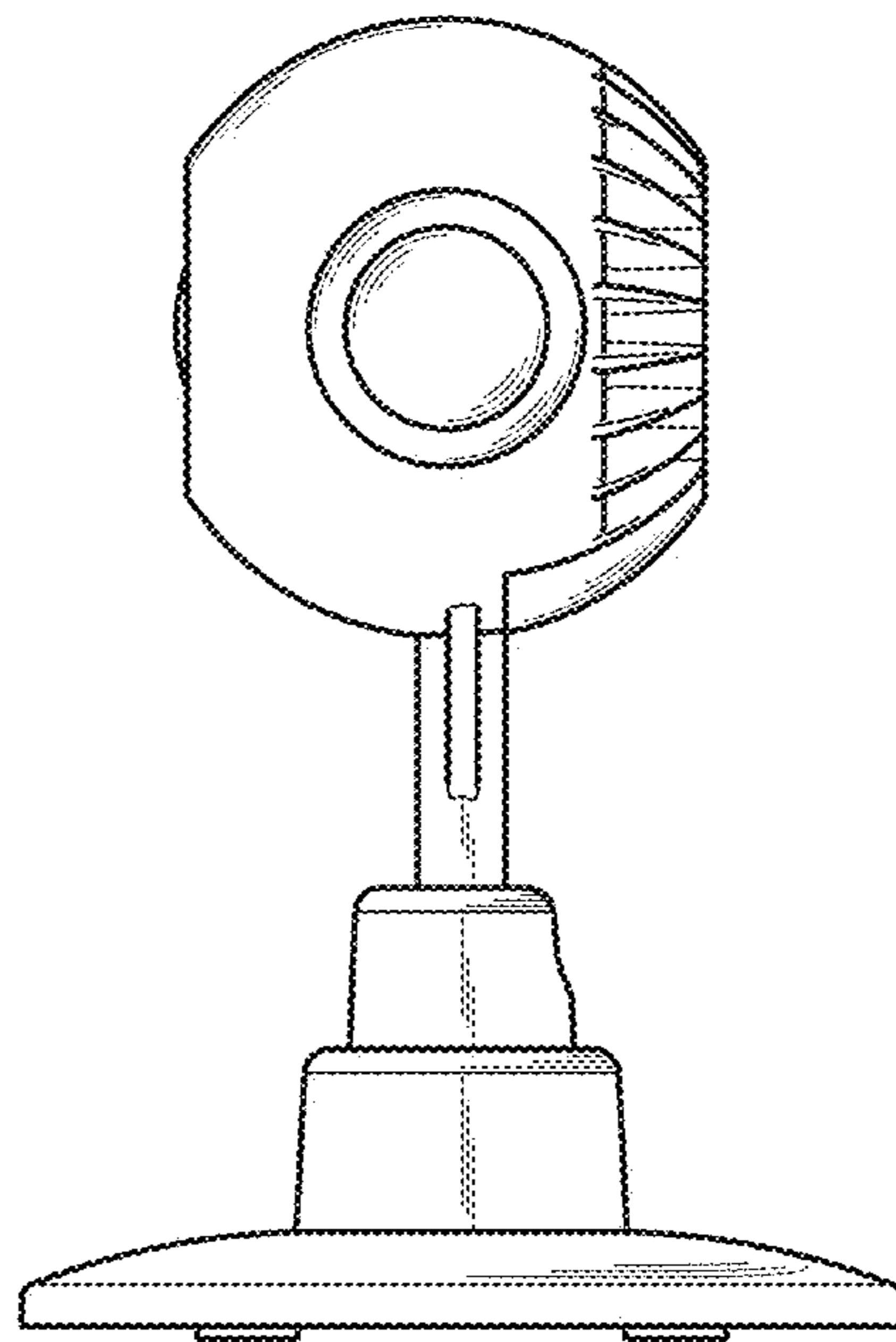


FIG. 5

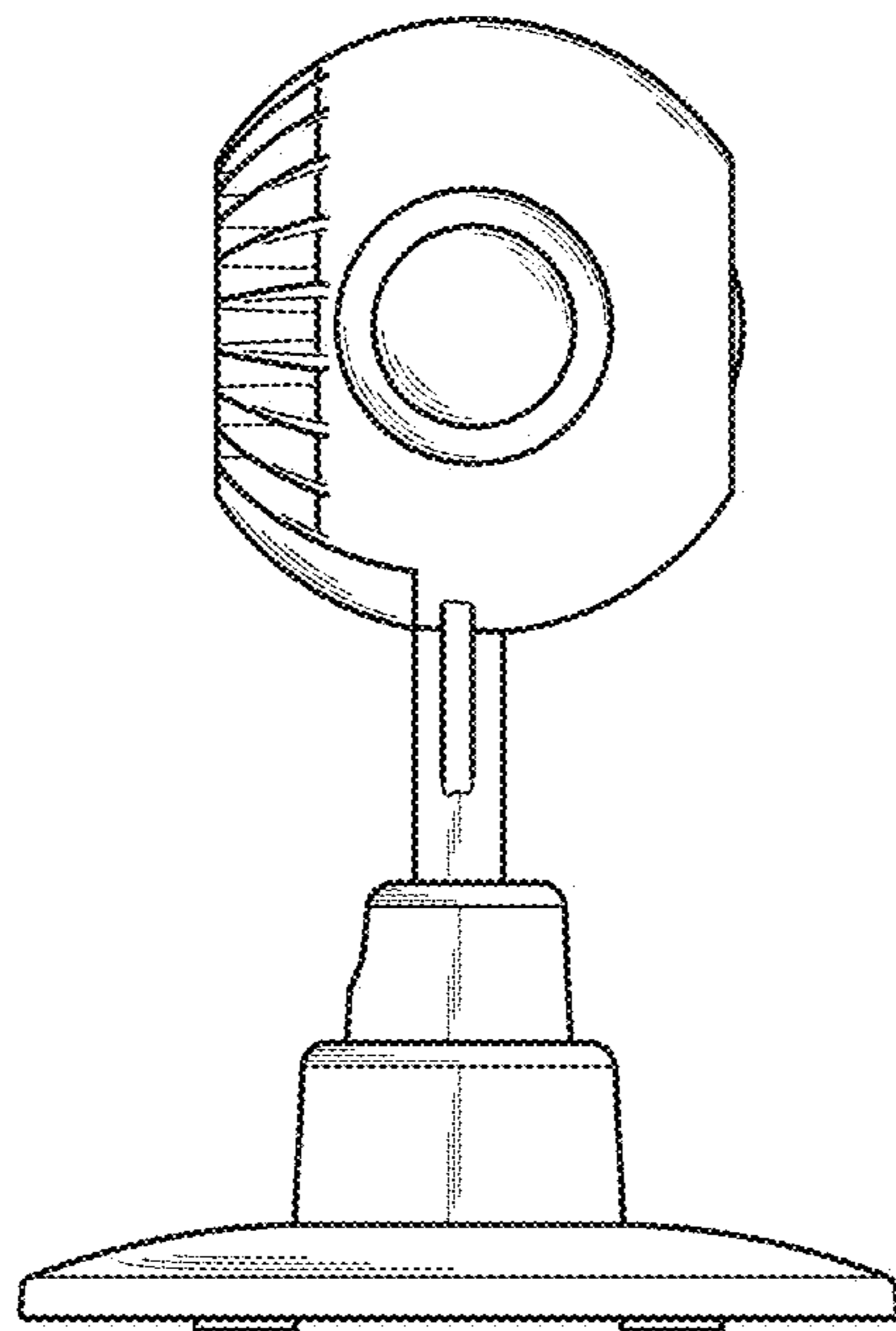


FIG. 6

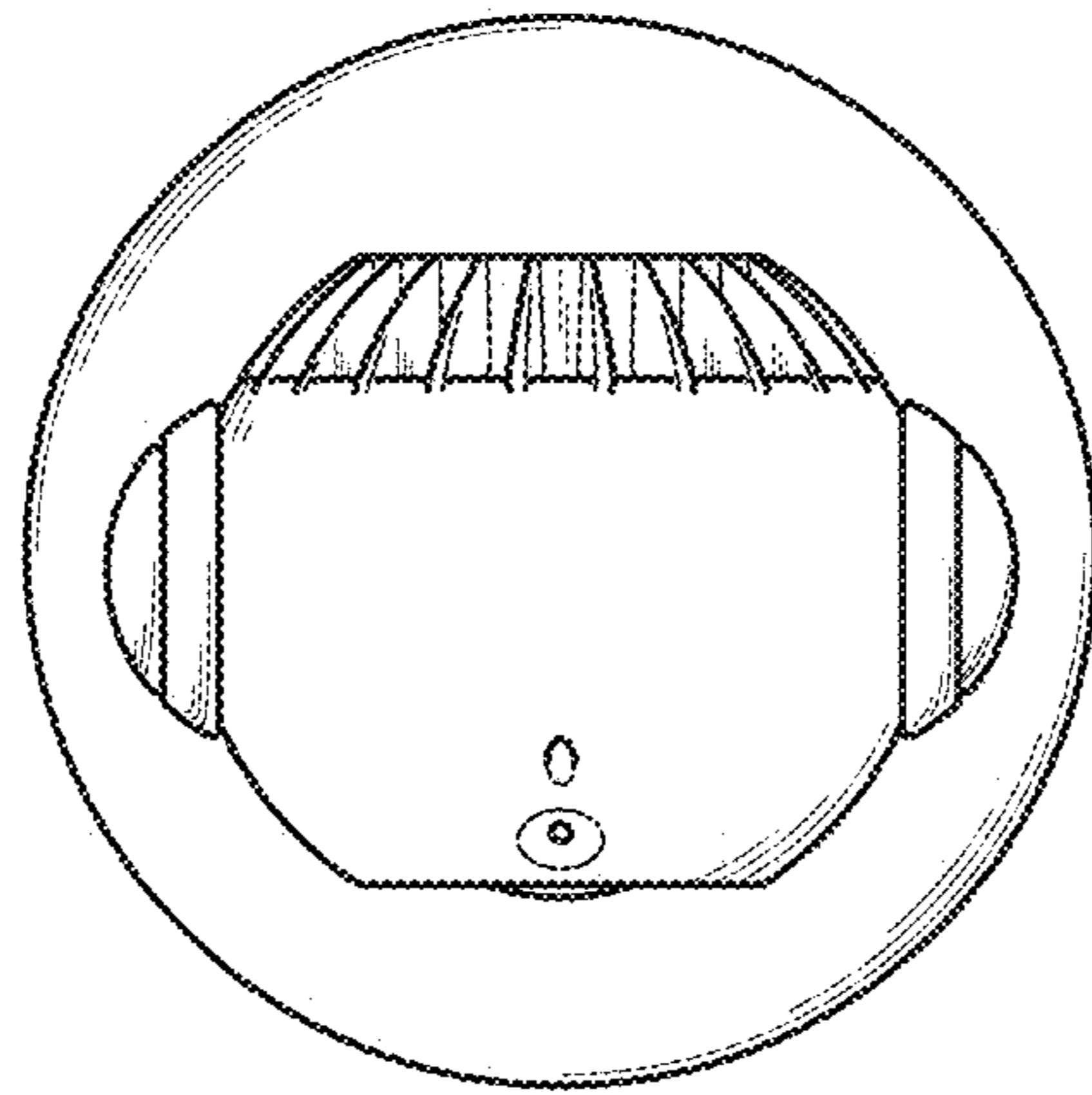


FIG. 7

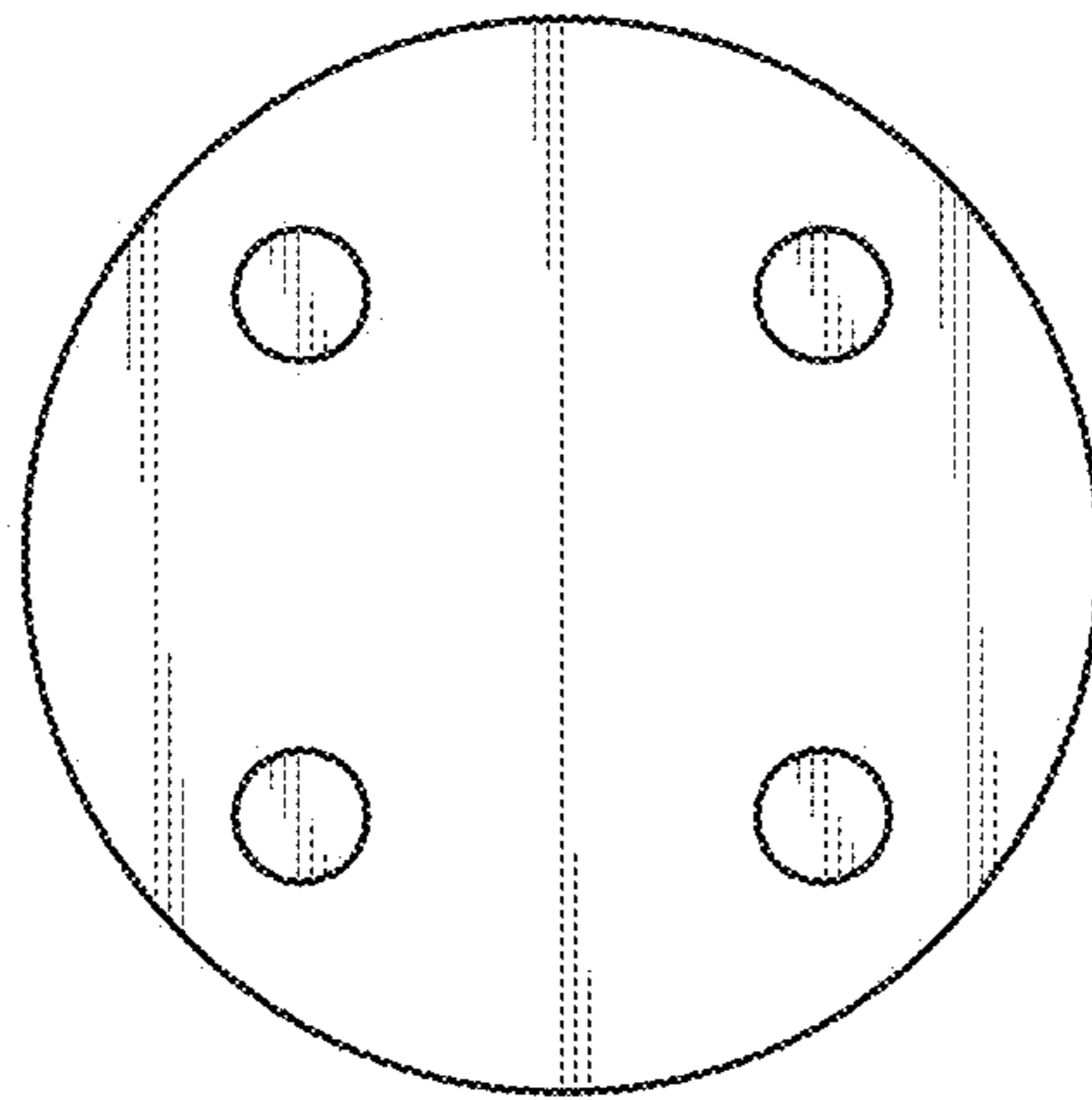




FIG. 8

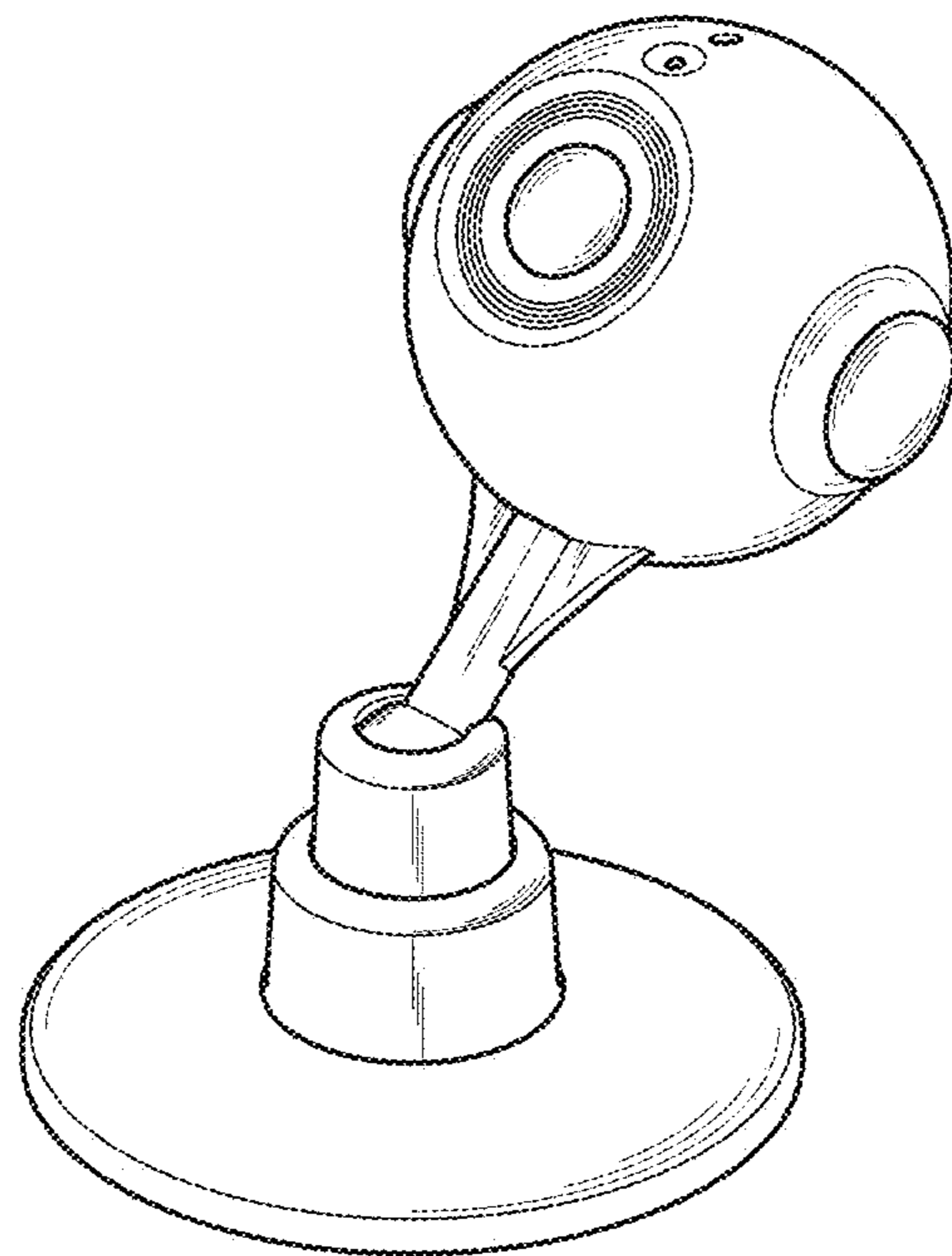


FIG. 9

