

US00D757831S

(12) **United States Design Patent**  
**Landqvist**

(10) **Patent No.:** **US D757,831 S**

(45) **Date of Patent:** **\*\* May 31, 2016**

(54) **WELDING FIXTURE**  
(71) Applicant: **Roxtec AB**, Karlskrona (SE)  
(72) Inventor: **Jorgen Landqvist**, Karlskrona (SE)  
(73) Assignee: **Roxtec AB**, Karlskrona (SE)  
(\*\*) Term: **14 Years**  
(21) Appl. No.: **29/511,272**  
(22) Filed: **Dec. 9, 2014**

4,538,956 A \* 9/1985 Kalkbrenner ..... B23K 26/08  
269/50  
D302,433 S \* 7/1989 Niedrig ..... D15/144  
D347,644 S \* 6/1994 Bezdicek ..... D15/144  
D417,162 S \* 11/1999 Thweatt ..... D10/64  
D451,937 S \* 12/2001 Selzer ..... D15/144.1  
D590,852 S \* 4/2009 Killion ..... D15/144  
D642,604 S \* 8/2011 Rohrer ..... D15/144  
D658,219 S \* 4/2012 Coryell ..... D15/144  
D678,372 S \* 3/2013 Trussell ..... D15/144  
D693,864 S \* 11/2013 Cooper ..... D15/144  
D727,381 S \* 4/2015 Thweatt, Jr. .... D13/131  
2015/0151378 A1\* 6/2015 Fujii ..... B23K 9/167  
219/74

\* cited by examiner

(30) **Foreign Application Priority Data**  
Jun. 10, 2014 (EM) ..... 002479691-0001  
Jun. 10, 2014 (EM) ..... 002479691-0002  
Jun. 10, 2014 (EM) ..... 002479691-0003  
(51) **LOC (10) Cl.** ..... **15-09**  
(52) **U.S. Cl.**  
USPC ..... **D15/144**  
(58) **Field of Classification Search**  
USPC ..... D8/29.1, 30; D15/144, 144.1, 144.2  
See application file for complete search history.

*Primary Examiner* — Patricia Palasik

(57) **CLAIM**  
The ornamental design for a welding fixture, as shown and described.

(56) **References Cited**  
U.S. PATENT DOCUMENTS  
D41,872 S \* 10/1911 Macneale ..... D15/144  
D147,348 S \* 8/1947 Panik ..... D15/144  
D179,334 S \* 11/1956 Webster ..... D15/144.2  
D272,743 S \* 2/1984 Knox ..... D15/144

**DESCRIPTION**

FIG. 1 is a top view of a welding fixture.  
FIG. 2 is a side view of the welding fixture of FIG. 1.  
FIG. 3 is an end view of the welding fixture of FIG. 1.  
FIG. 4 is a top and end perspective view of the welding fixture of FIG. 1.  
FIG. 5 is a bottom and end perspective view of the welding fixture of FIG. 1; and,  
FIG. 6 is an end view of the welding fixture of FIG. 1.  
The broken lines in the drawings depict unclaimed environmental subject matter.

**1 Claim, 6 Drawing Sheets**

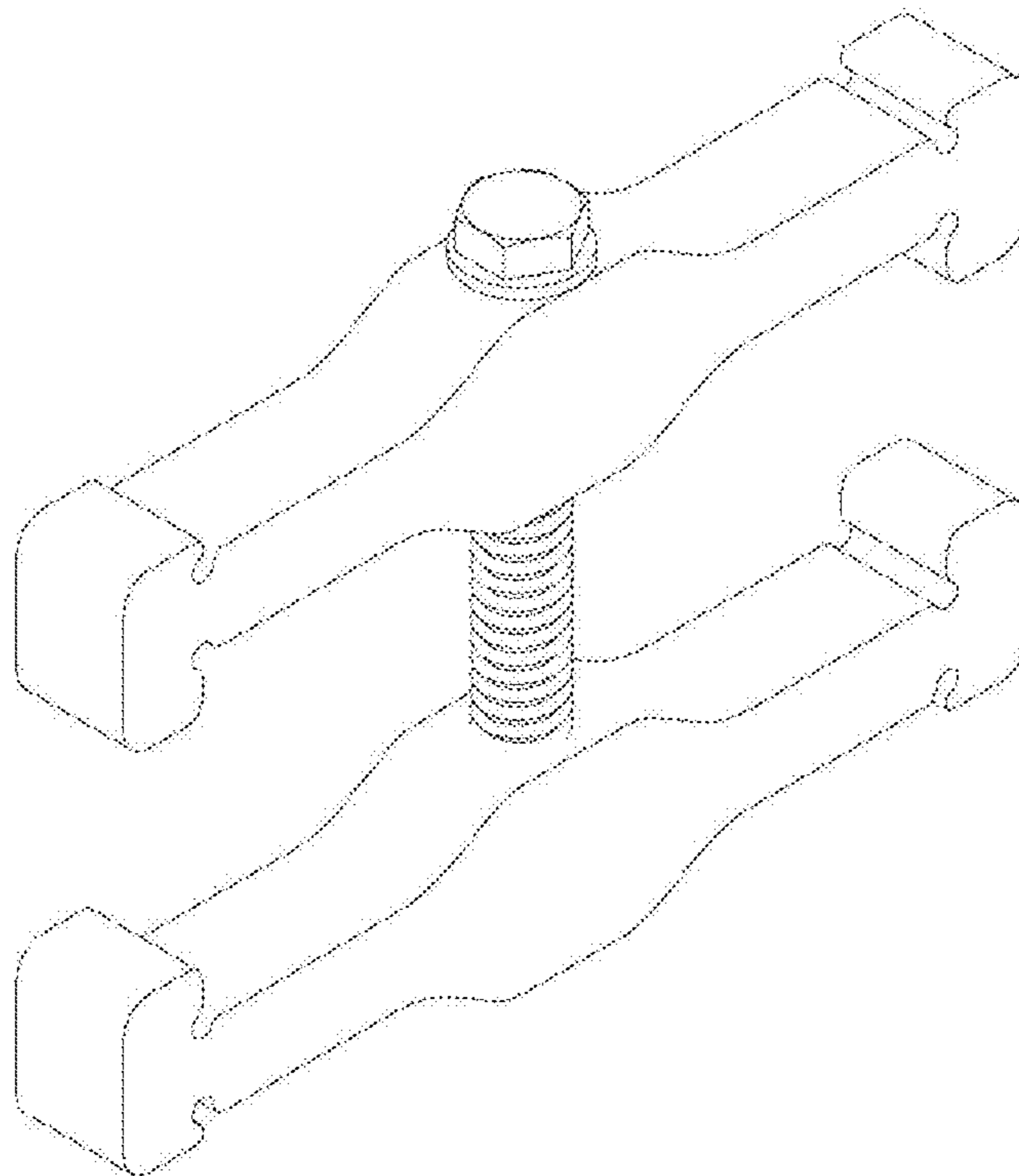
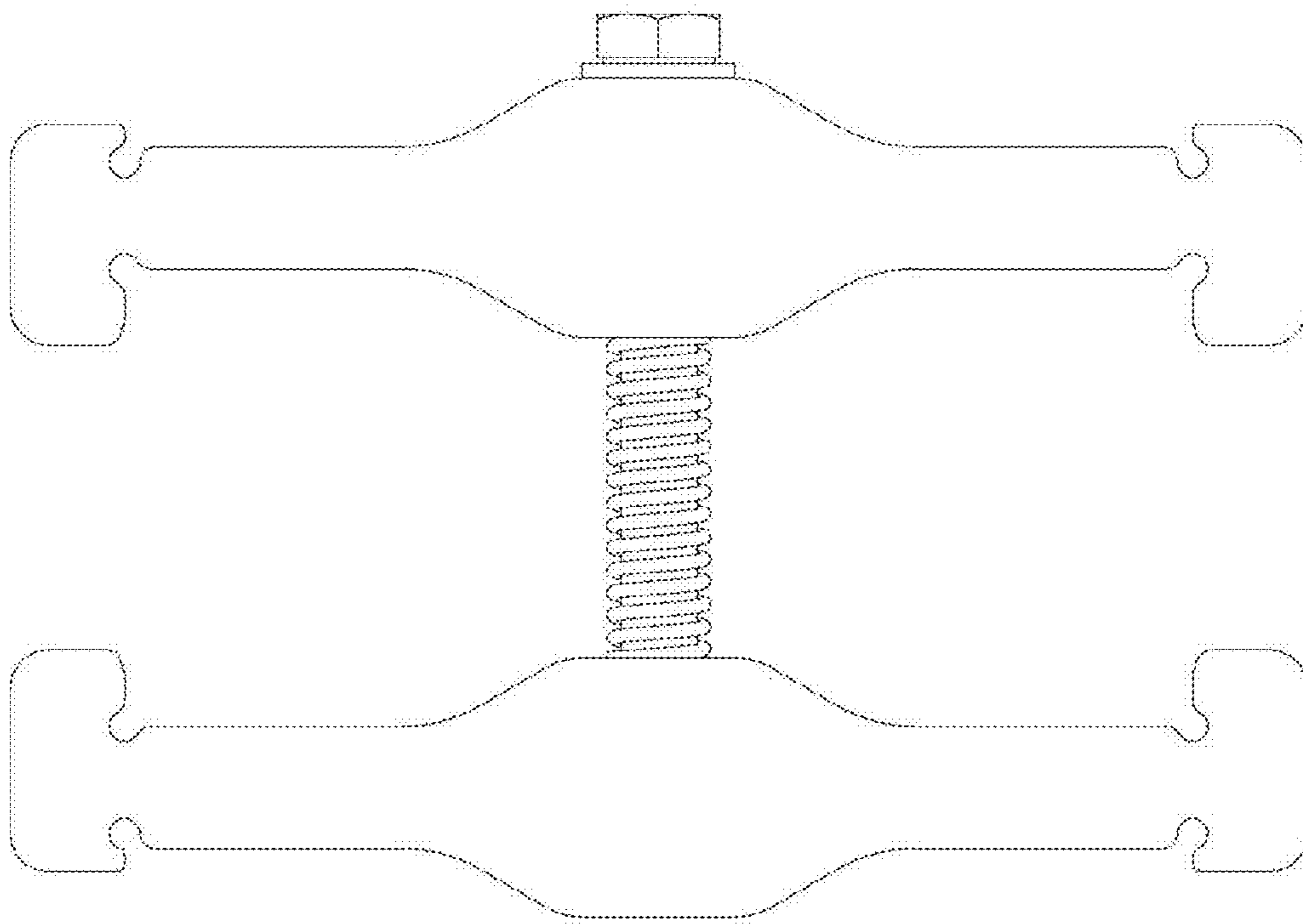


FIGURE 1



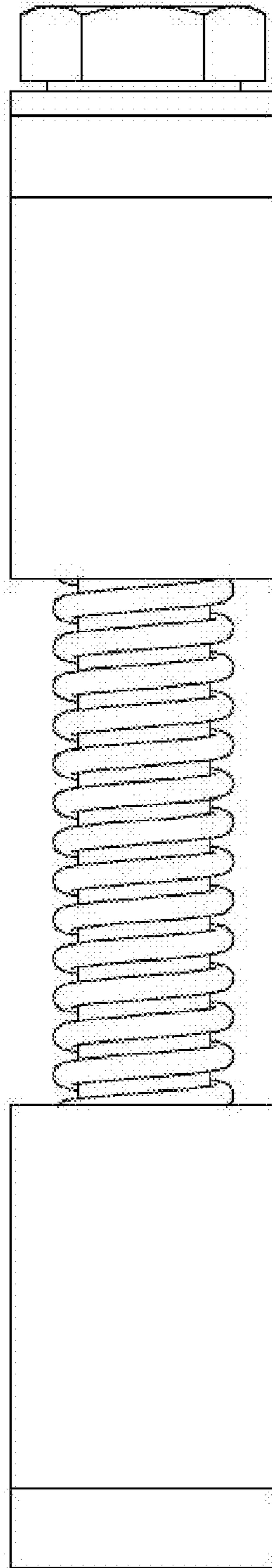
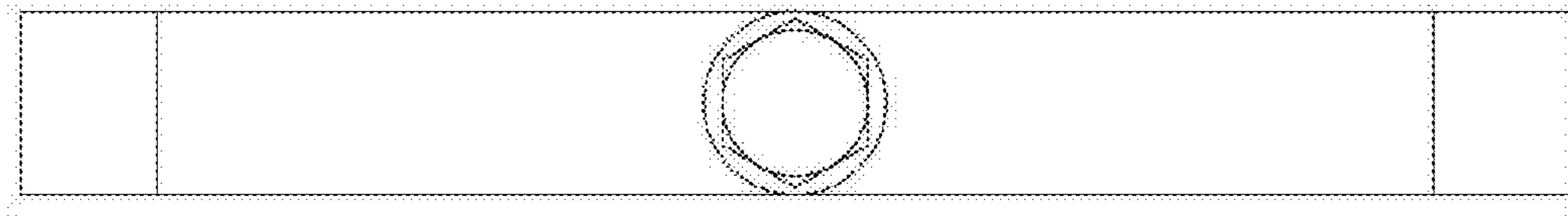


FIGURE 2

**FIGURE 3**



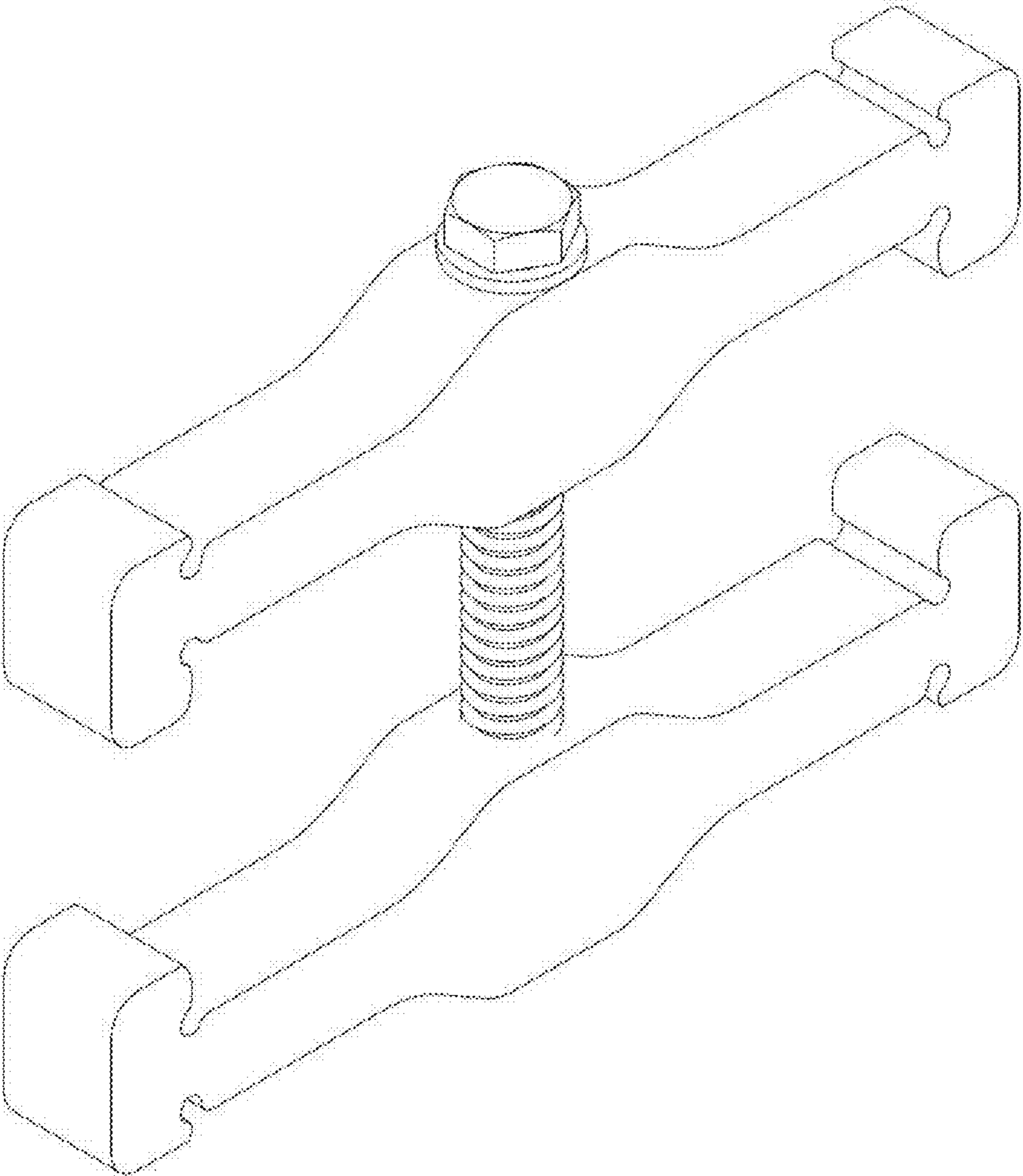


FIGURE 4

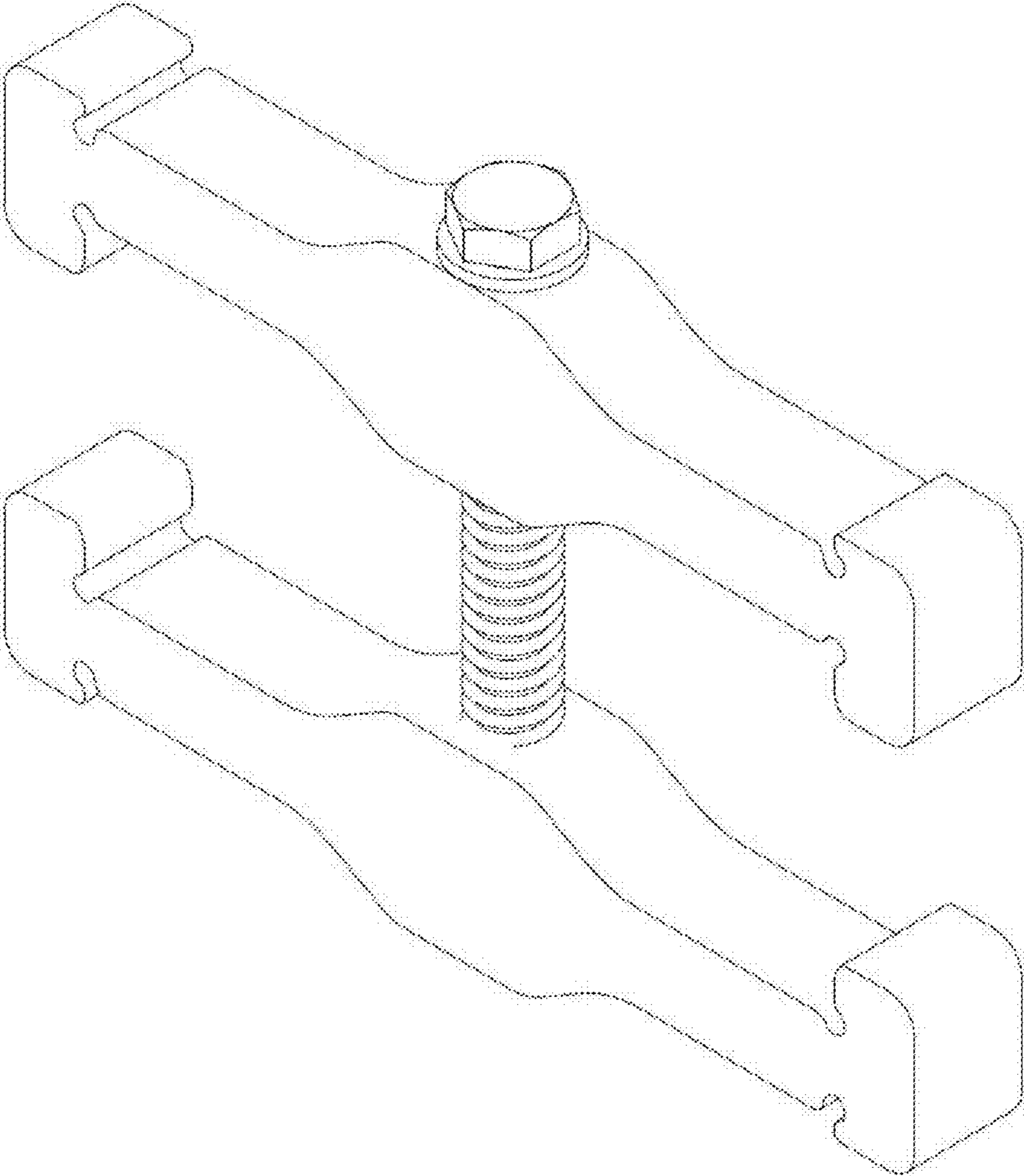


FIGURE 5

FIGURE 6

