



US00D757829S

(12) **United States Design Patent**
Dallimore et al.

(10) **Patent No.:** **US D757,829 S**
(45) **Date of Patent:** **** May 31, 2016**

(54) **CRUSHER**

(56) **References Cited**

- (71) Applicant: **SANDVIK INTELLECTUAL PROPERTY AB**, Sandviken (SE)
- (72) Inventors: **Rowan Dallimore**, Bath (GB); **Andreas Forsberg**, Malmo (SE); **Knut Kjaerran**, Svedala (SE)
- (73) Assignee: **SANDVIK INTELLECTUAL PROPERTY AB**, Sandviken (SE)
- (**) Term: **14 Years**
- (21) Appl. No.: **29/523,430**
- (22) Filed: **Apr. 9, 2015**

U.S. PATENT DOCUMENTS

3,843,068	A *	10/1974	Allen	B02C 2/04 228/185
8,070,084	B2 *	12/2011	Biggin	B02C 2/06 241/209
D716,853	S *	11/2014	Malmqvist	D15/123
D730,415	S *	5/2015	Malmqvist	D15/123
2011/0006143	A1 *	1/2011	Gunnarsson	B02C 2/04 241/215
2012/0223171	A1 *	9/2012	Flath	B02C 2/04 241/207
2013/0075508	A1 *	3/2013	Stemper	B02C 2/005 241/207
2013/0334348	A1 *	12/2013	Dricken	B02C 2/047 241/32
2014/0084095	A1 *	3/2014	Glauberman	B02C 18/142 241/277

* cited by examiner

Related U.S. Application Data

- (62) Division of application No. 29/460,756, filed on Jul. 15, 2013, now Pat. No. Des. 734,789.
- (51) **LOC (10) Cl.** **15-09**
- (52) **U.S. Cl.**
USPC **D15/123**
- (58) **Field of Classification Search**
USPC D15/122, 123; 72/448, 455, 465;
100/207, 208, 214, 268, 282, 292;
241/31, 58, 159, 179, 186, 236, 285;
435/86, 135, 347, 348.5, 349, 350,
435/353, 355, 358, 360

See application file for complete search history.

Primary Examiner — Patricia Palasik

(74) *Attorney, Agent, or Firm* — Corinne R. Gorski

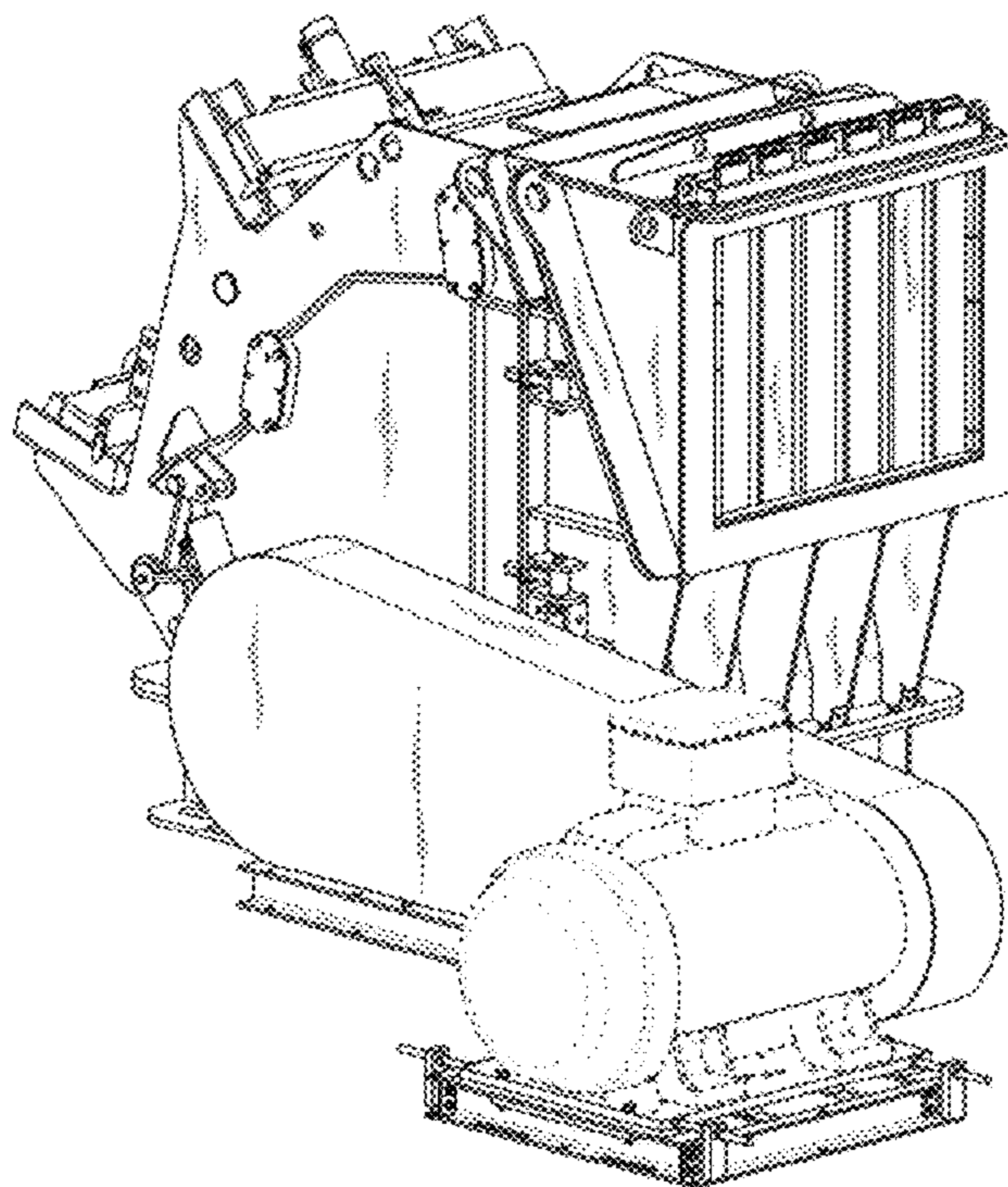
(57) **CLAIM**

The ornamental design for a crusher, as shown and described.

DESCRIPTION

FIG. 1 is a perspective view of a crusher;
FIG. 2 is a top view thereof;
FIG. 3 is a left elevational view thereof;
FIG. 4 is a right elevational view thereof;
FIG. 5 is a front elevational view thereof; and,
FIG. 6 is a rear elevational view.

1 Claim, 6 Drawing Sheets



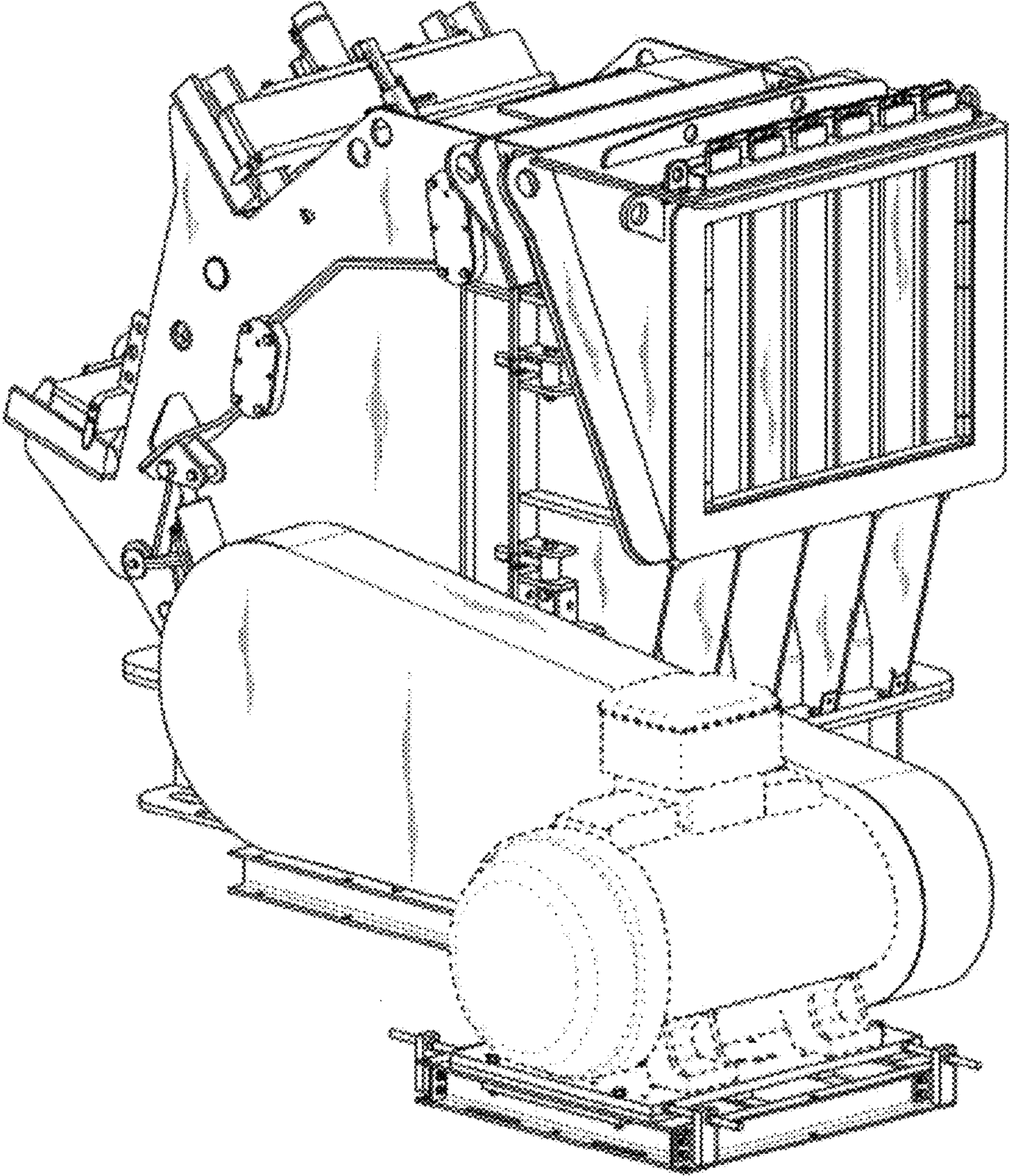


Fig. 1

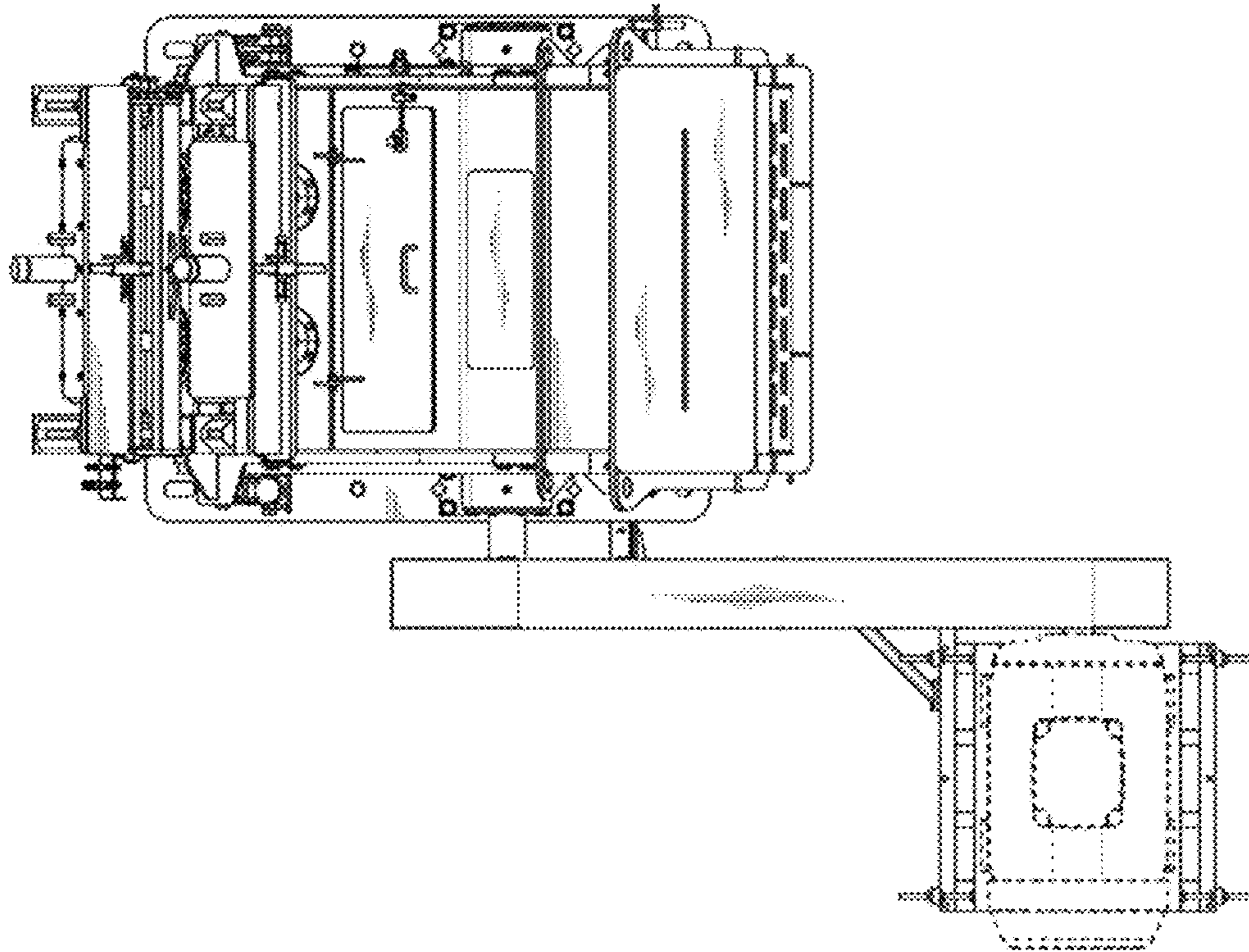


Fig. 2

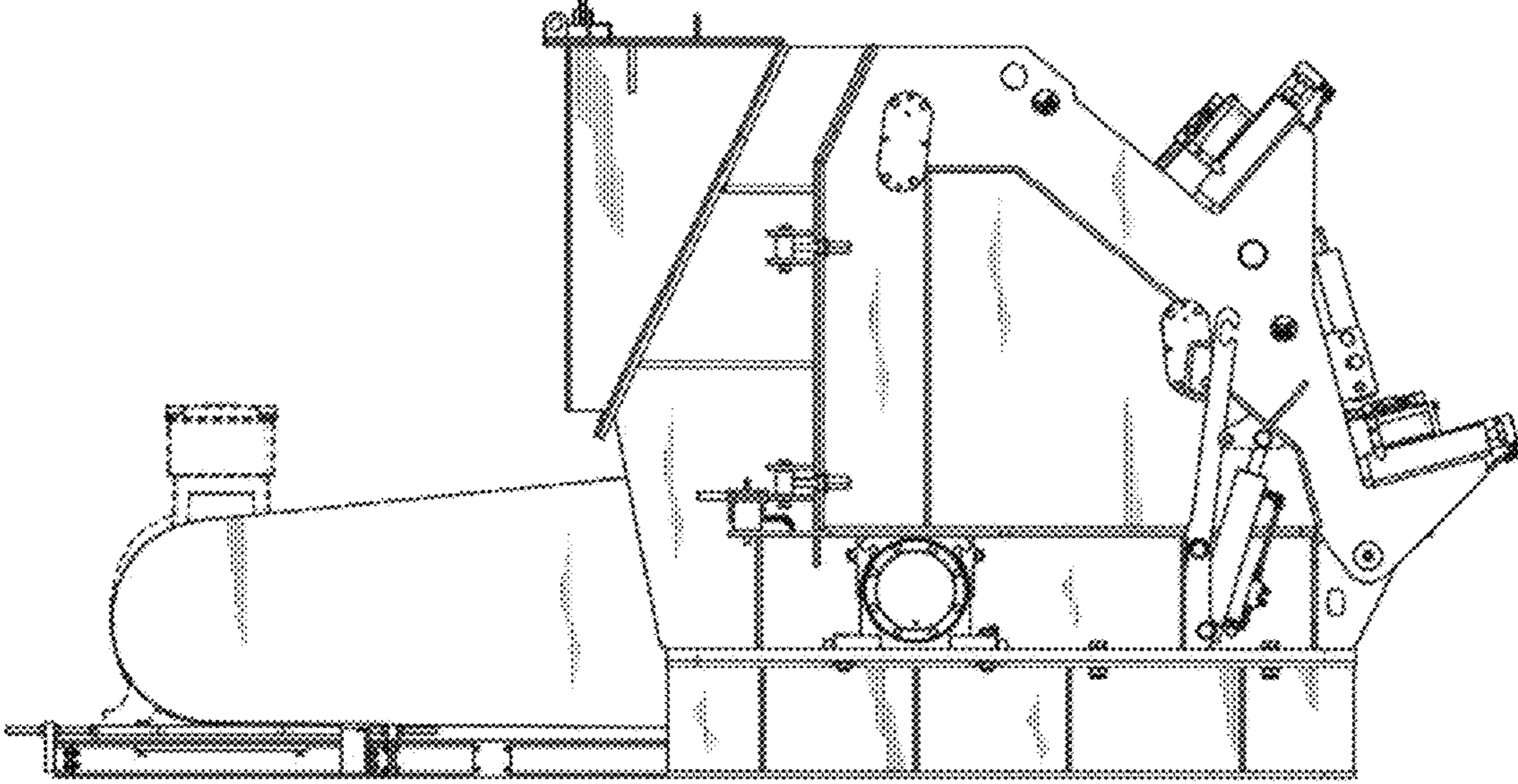


Fig. 3

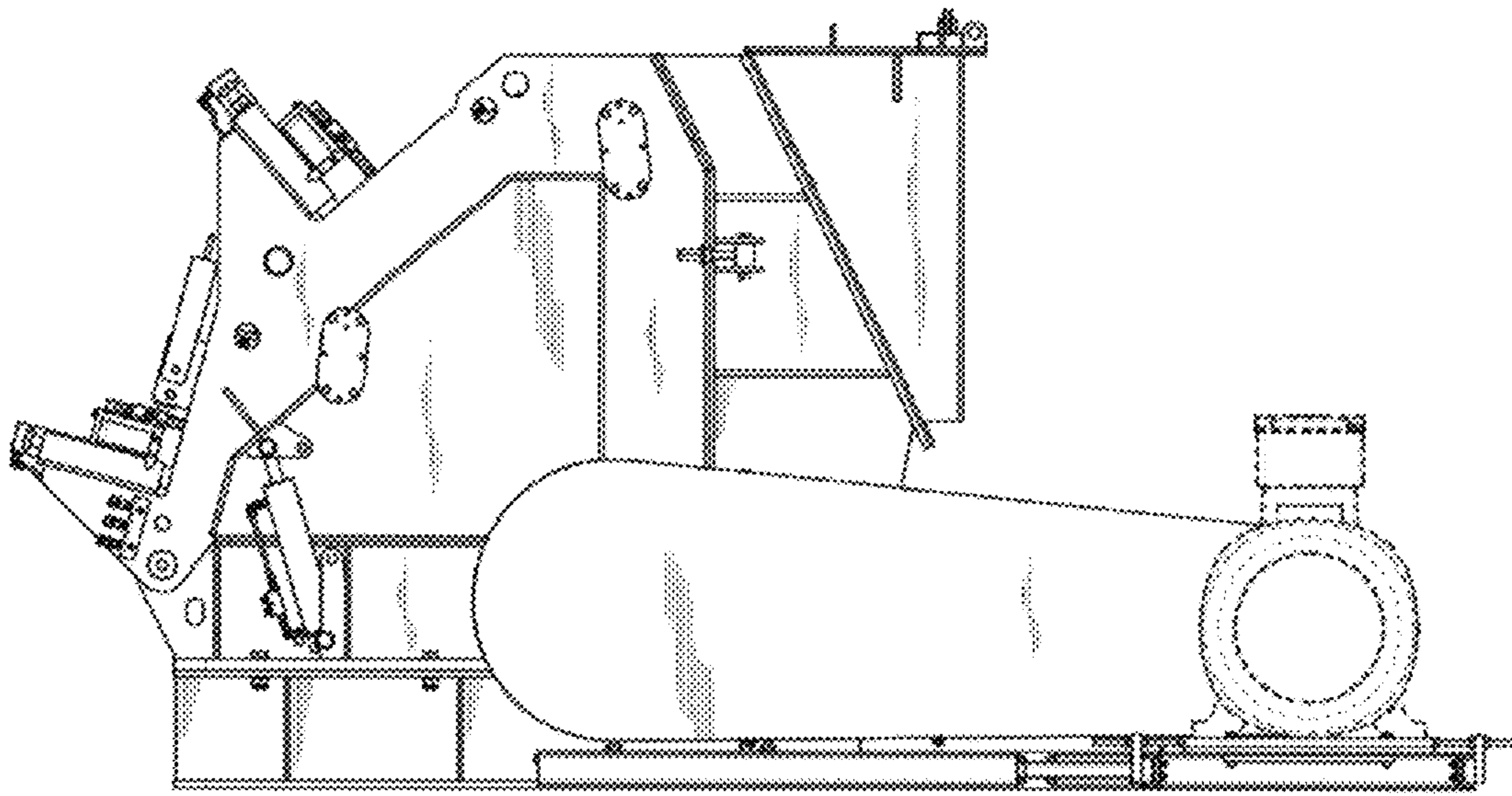


Fig. 4

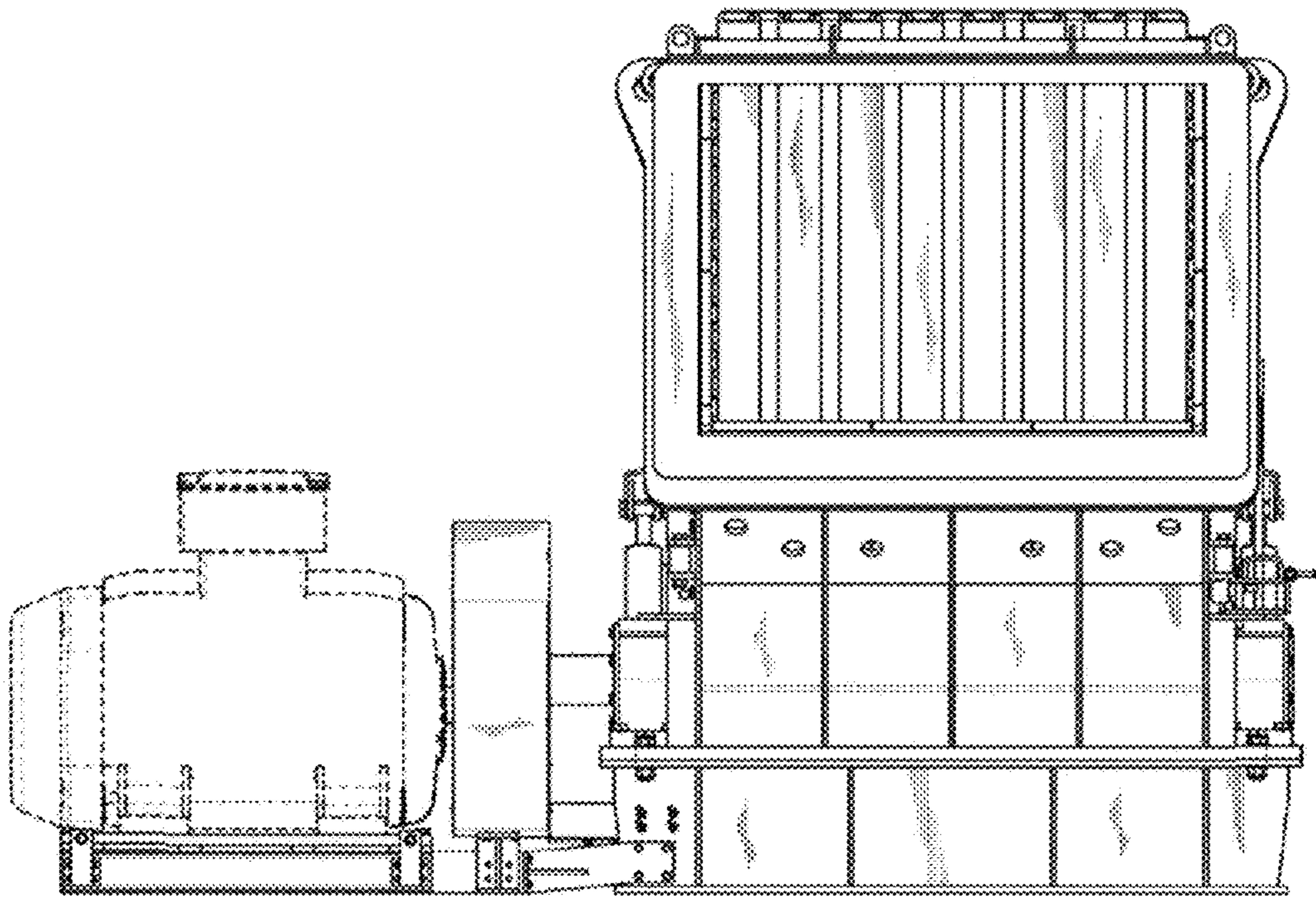


Fig. 5

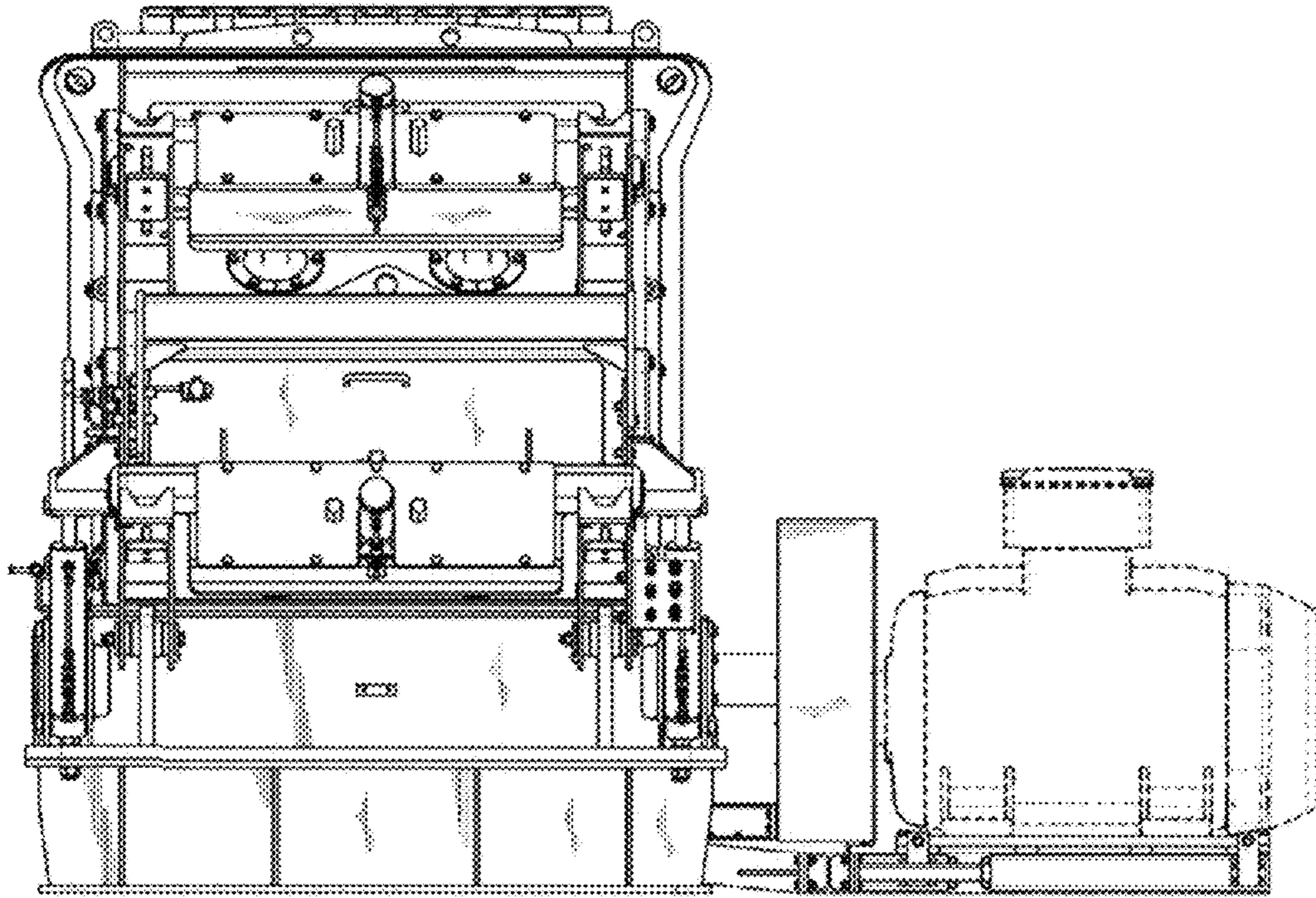


Fig. 6