



US00D757828S

(12) **United States Design Patent**  
**Lange et al.**

(10) **Patent No.:** **US D757,828 S**  
(45) **Date of Patent:** **\*\* May 31, 2016**

- (54) **WORKSTATION FOR PRODUCT INSPECTION AND CONTROL**
- (71) Applicant: **Mettler-Toledo Garvens GmbH**, Giesen (DE)
- (72) Inventors: **Anastasia Lange**, Salzhemmendorf (DE); **Uwe Helbig**, Lamspringe (DE)
- (73) Assignee: **Mettler-Toledo Garvens GmbH**, Giesen (DE)
- (\*\*) Term: **14 Years**
- (21) Appl. No.: **29/508,759**
- (22) Filed: **Nov. 11, 2014**
- (30) **Foreign Application Priority Data**

- May 23, 2014 (EM) ..... 002469775
- (51) **LOC (10) Cl.** ..... **15-09**
- (52) **U.S. Cl.**  
USPC ..... **D15/122**
- (58) **Field of Classification Search**  
USPC ..... D15/122, 141  
See application file for complete search history.

- (56) **References Cited**  
U.S. PATENT DOCUMENTS
- D231,351 S \* 4/1974 Preston ..... D15/138
- D244,277 S \* 5/1977 Der-Avanessian ..... D15/126
- D265,319 S \* 7/1982 Watanabe ..... D15/130
- 4,521,677 A \* 6/1985 Sarwin ..... G06F 3/147  
235/383
- D320,607 S \* 10/1991 Smith ..... D15/126
- D331,066 S \* 11/1992 Englert ..... D15/122
- D399,221 S \* 10/1998 Schwartz ..... D15/130
- D422,289 S \* 4/2000 Mariotta ..... D15/122
- D446,796 S \* 8/2001 Rose ..... D15/144

- 6,382,515 B1 \* 5/2002 Good ..... G02B 26/106  
235/462.01
- D489,077 S \* 4/2004 Bloch ..... D15/122
- D493,808 S \* 8/2004 Tanaka ..... D15/122
- D494,988 S \* 8/2004 Tanaka ..... D15/122
- 6,932,270 B1 \* 8/2005 Fajkowski ..... G06Q 20/387  
235/381
- D614,210 S \* 4/2010 Basler ..... D15/122
- 7,756,604 B1 \* 7/2010 Davis ..... G06Q 20/342  
700/236
- D633,115 S \* 2/2011 Brown ..... D15/127
- D651,620 S \* 1/2012 Schindler ..... D15/122
- 8,156,886 B2 \* 4/2012 Velcic ..... B63B 23/28  
114/366
- 8,175,746 B2 \* 5/2012 Godlewski ..... A61J 7/0069  
700/236
- 8,256,672 B2 \* 9/2012 Haibara ..... G06Q 30/06  
235/375
- 9,081,887 B2 \* 7/2015 Olson ..... G07F 17/0092
- 9,129,288 B2 \* 9/2015 Wike ..... G06Q 20/202

\* cited by examiner

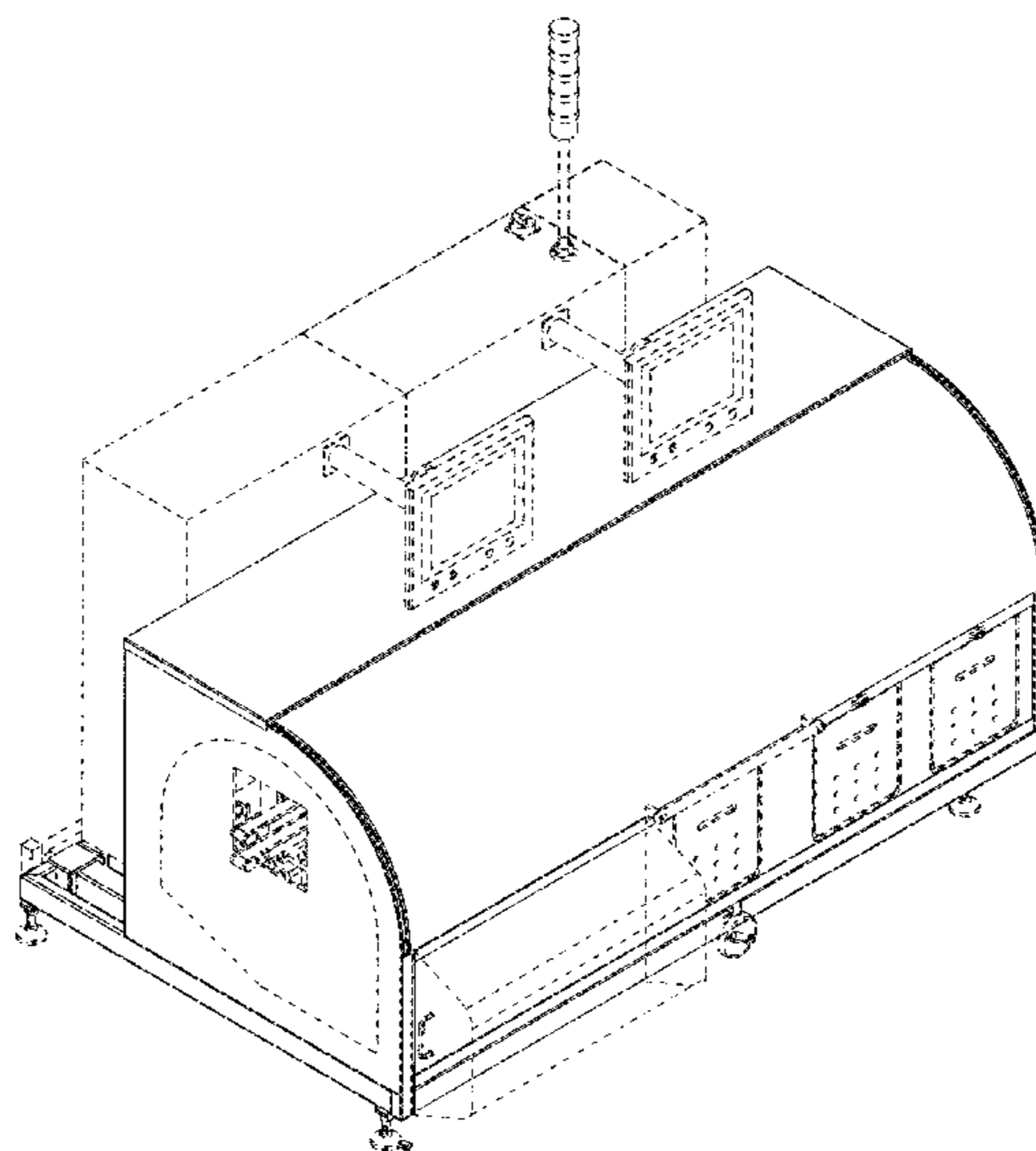
*Primary Examiner* — Patricia Palasik  
(74) *Attorney, Agent, or Firm* — Standley Law Group LLP

(57) **CLAIM**  
The ornamental design for a workstation for product inspection and control, as shown and described.

**DESCRIPTION**

FIG. 1 is a front perspective view of the workstation for product inspection and control;  
FIG. 2 is a front elevation view of the FIG. 1 device;  
FIG. 3 is a rear elevation view of the FIG. 1 device;  
FIG. 4 is a right side elevation view of the FIG. 1 device;  
FIG. 5 is a left side elevation view of the FIG. 1 device;  
FIG. 6 is a top plan view of the FIG. 1 device; and,  
FIG. 7 is a bottom plan view of the FIG. 1 device.  
The broken lines in the drawings depict unclaimed environmental subject matter.

**1 Claim, 7 Drawing Sheets**



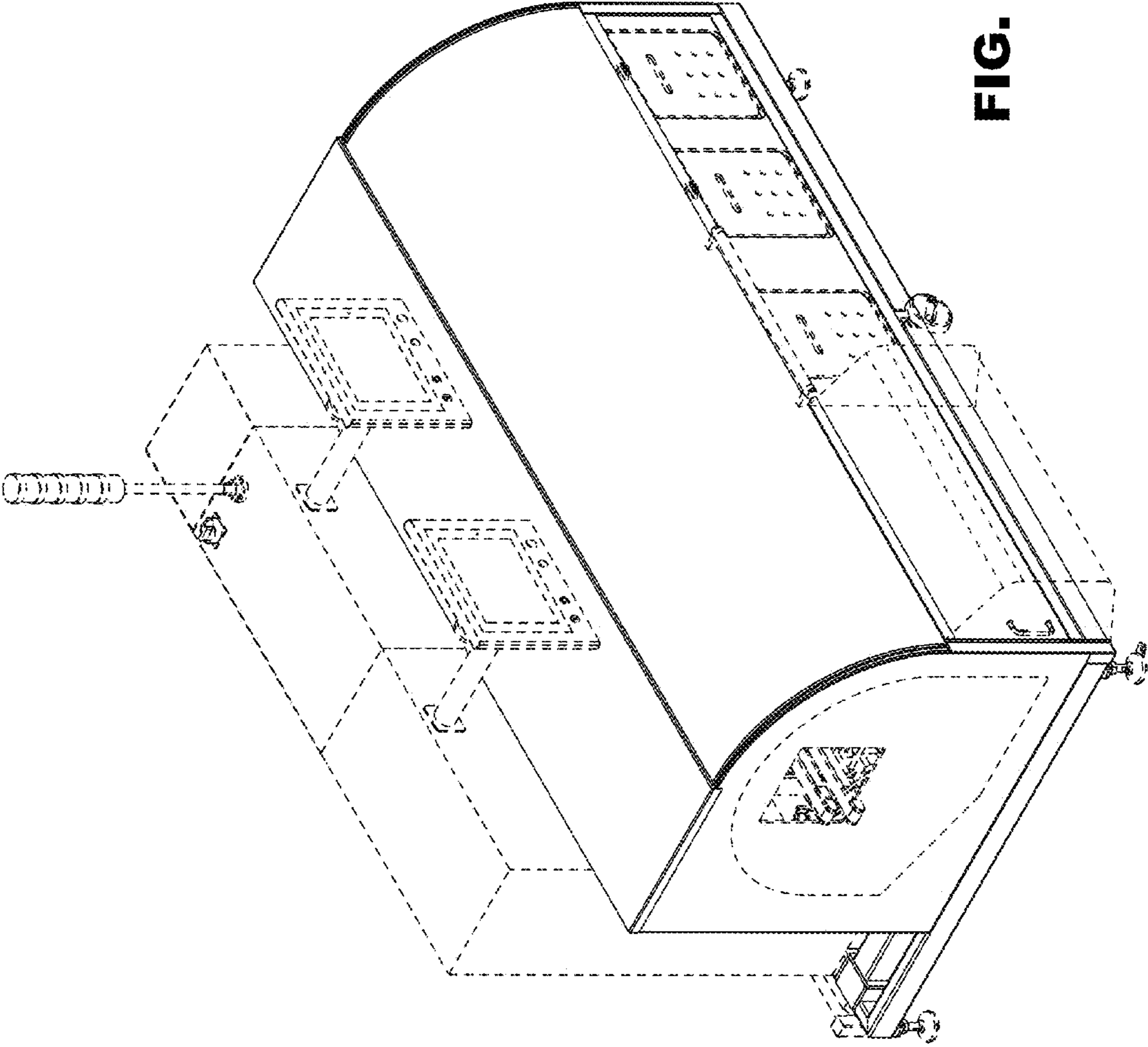
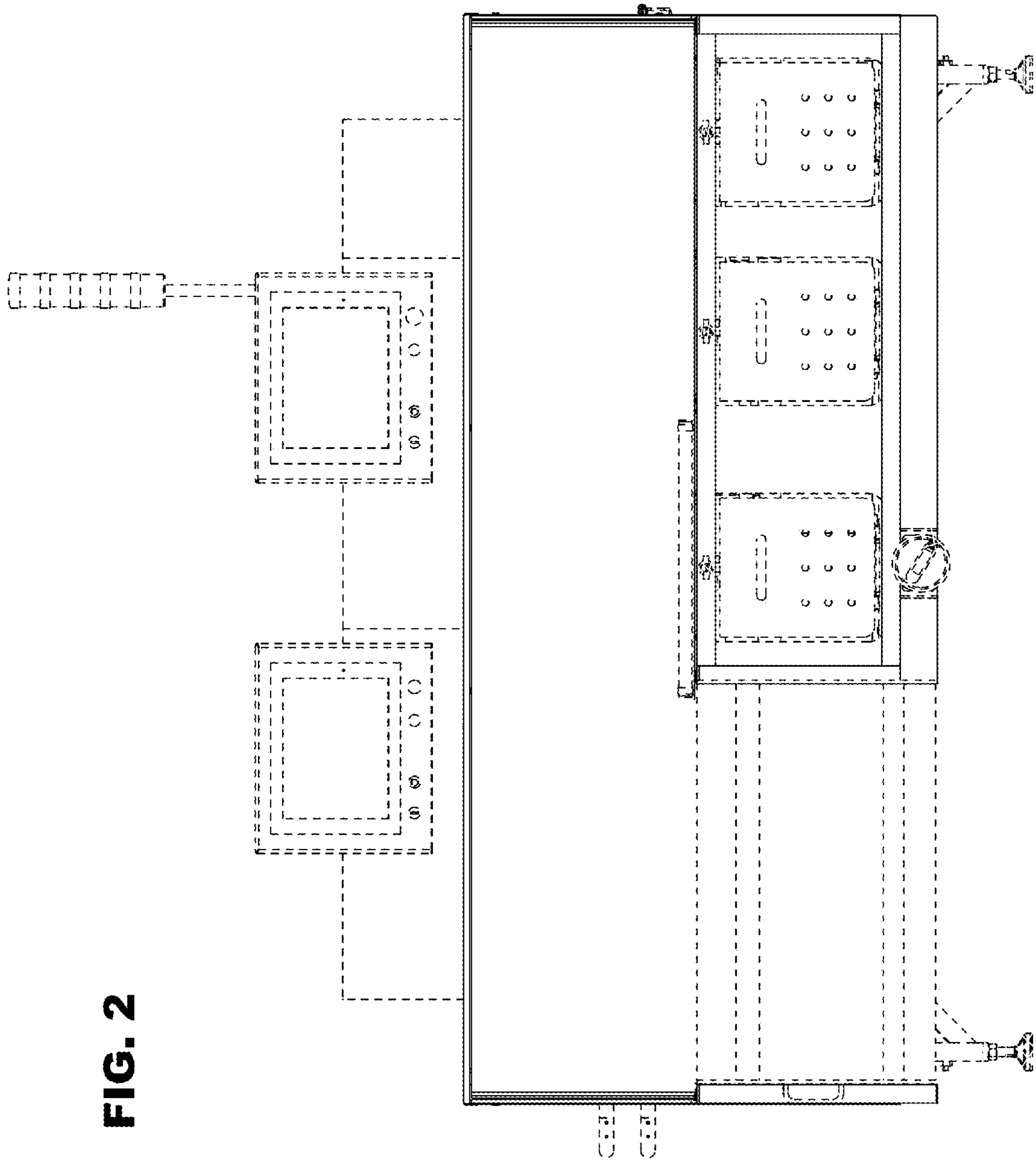
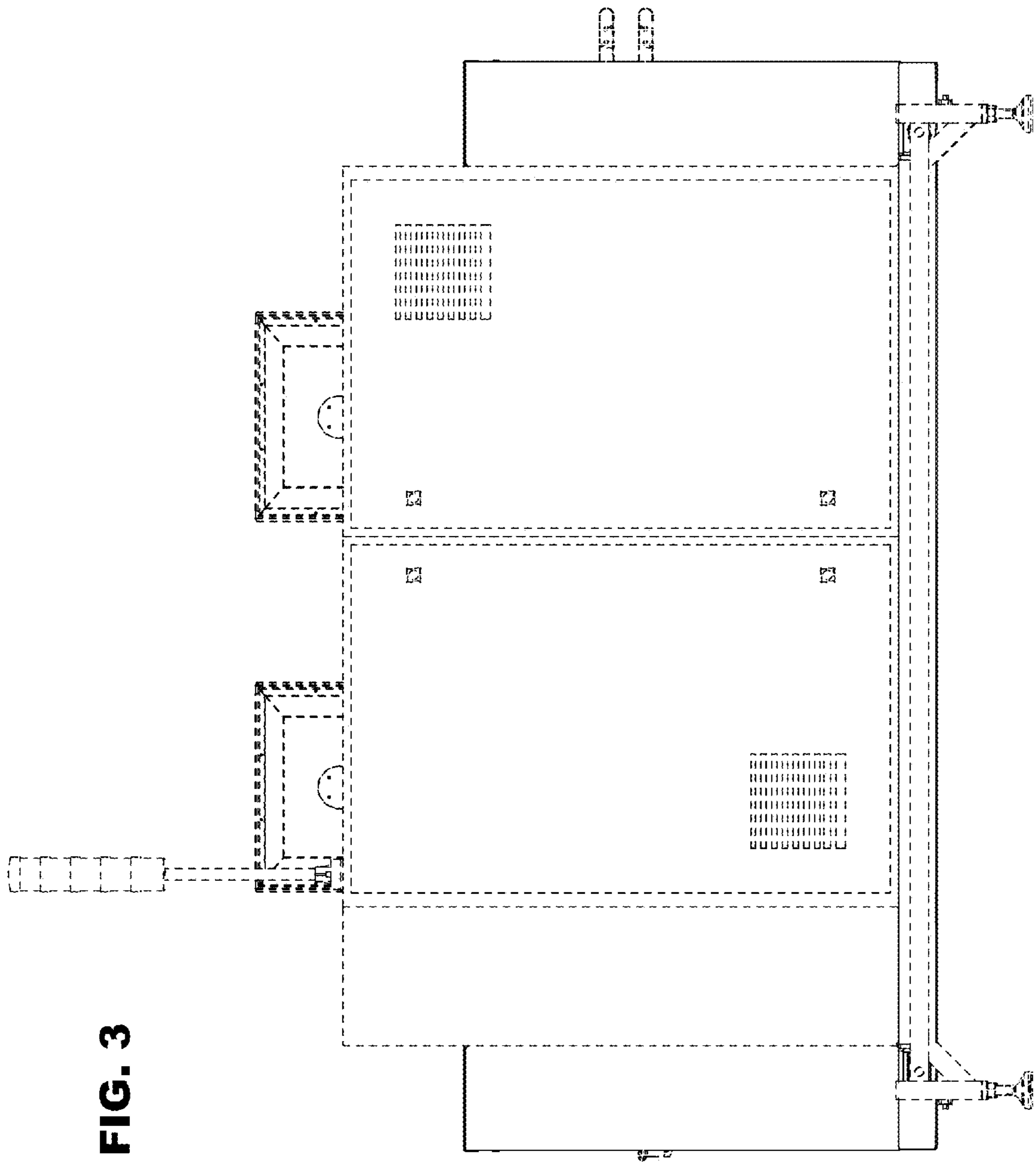


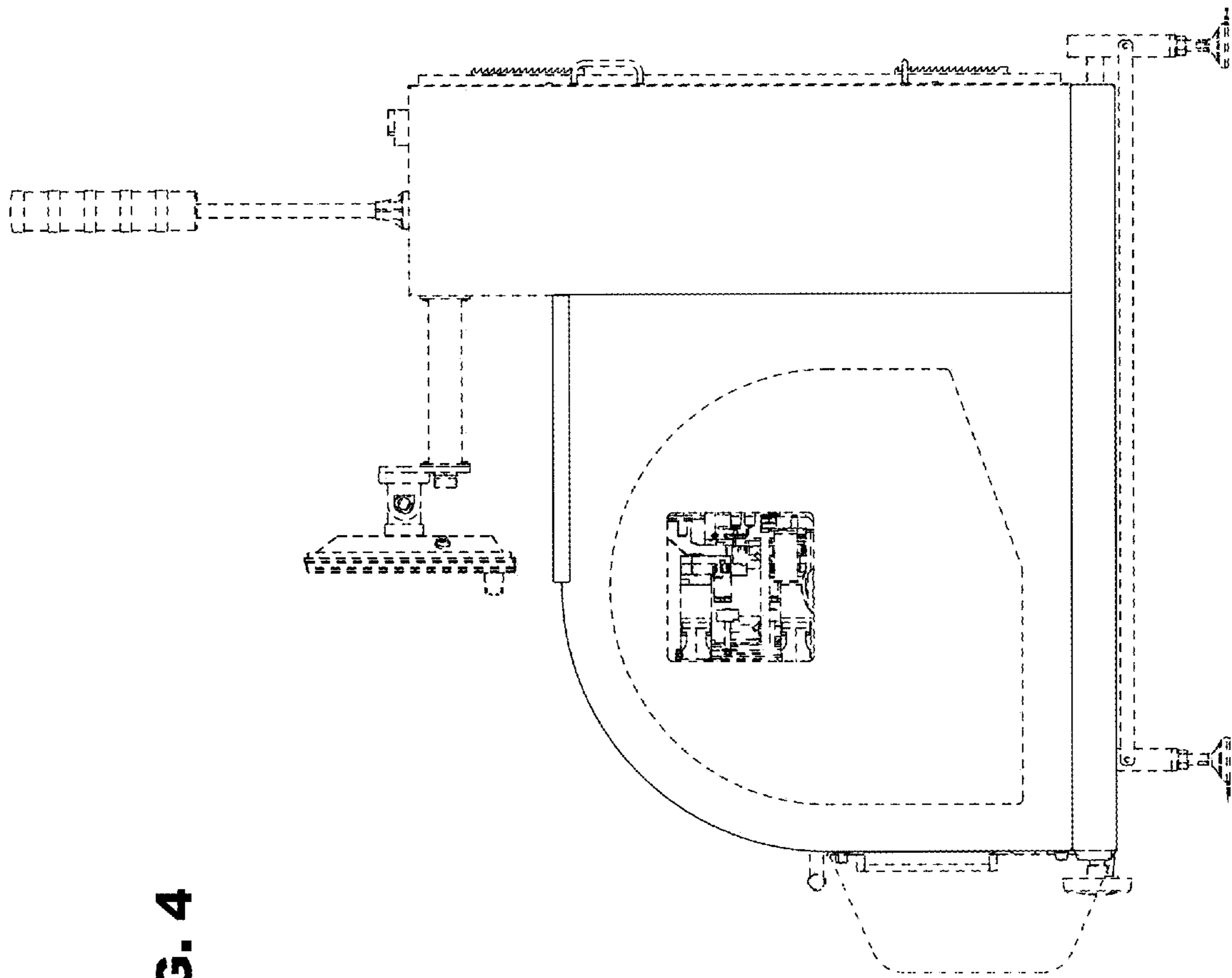
FIG. 1



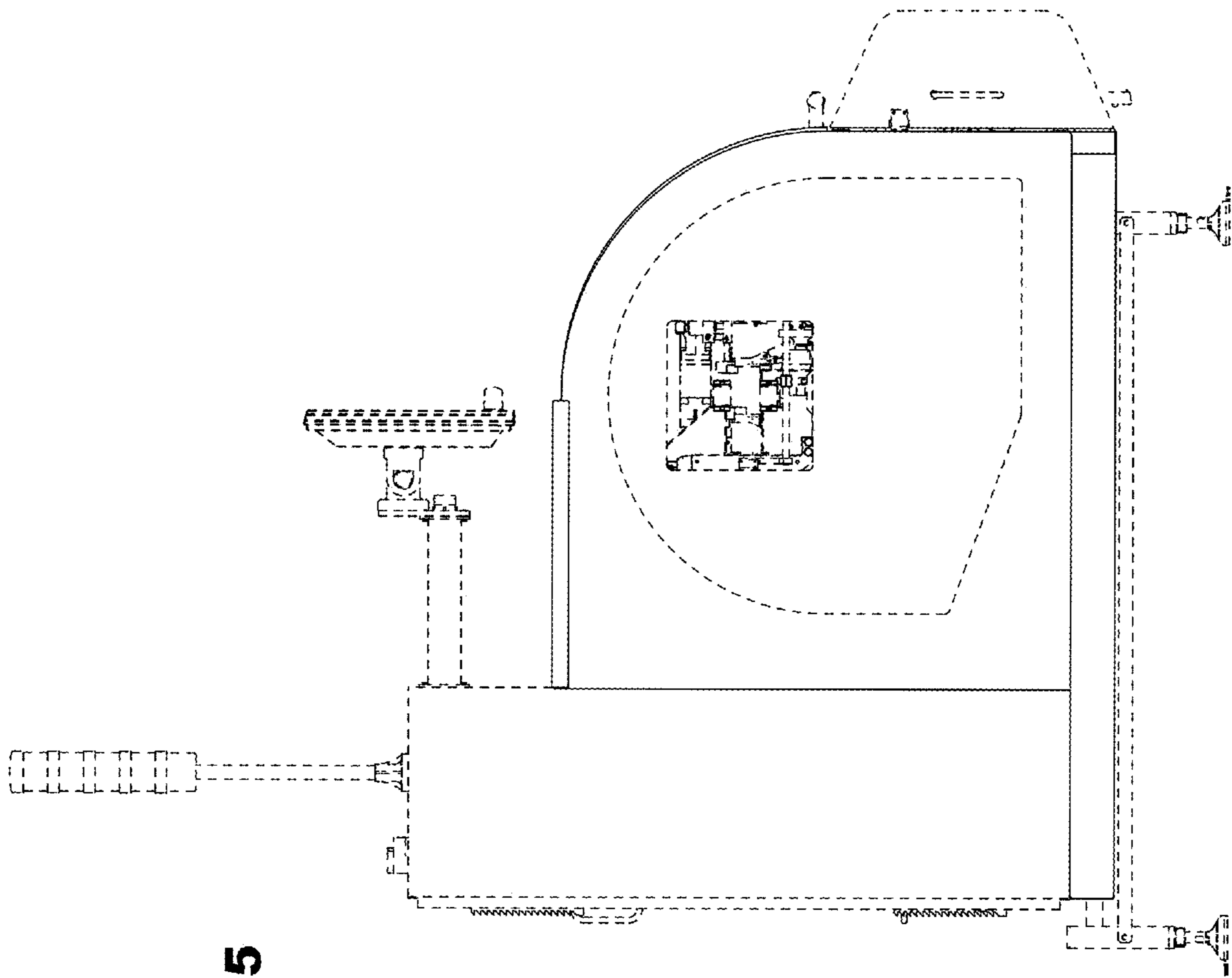
**FIG. 2**



**FIG. 3**

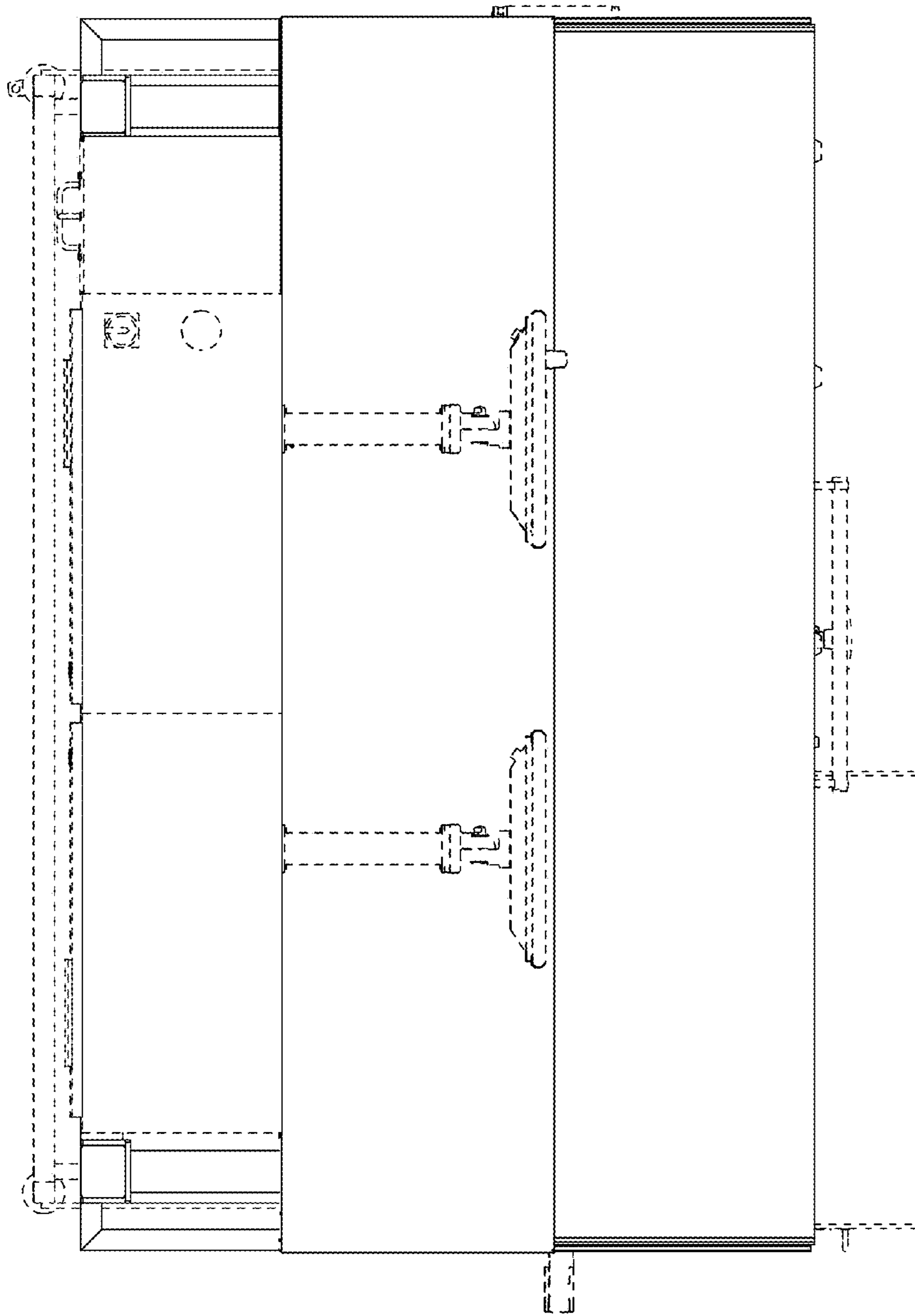


**FIG. 4**



**FIG. 5**





**FIG. 6**

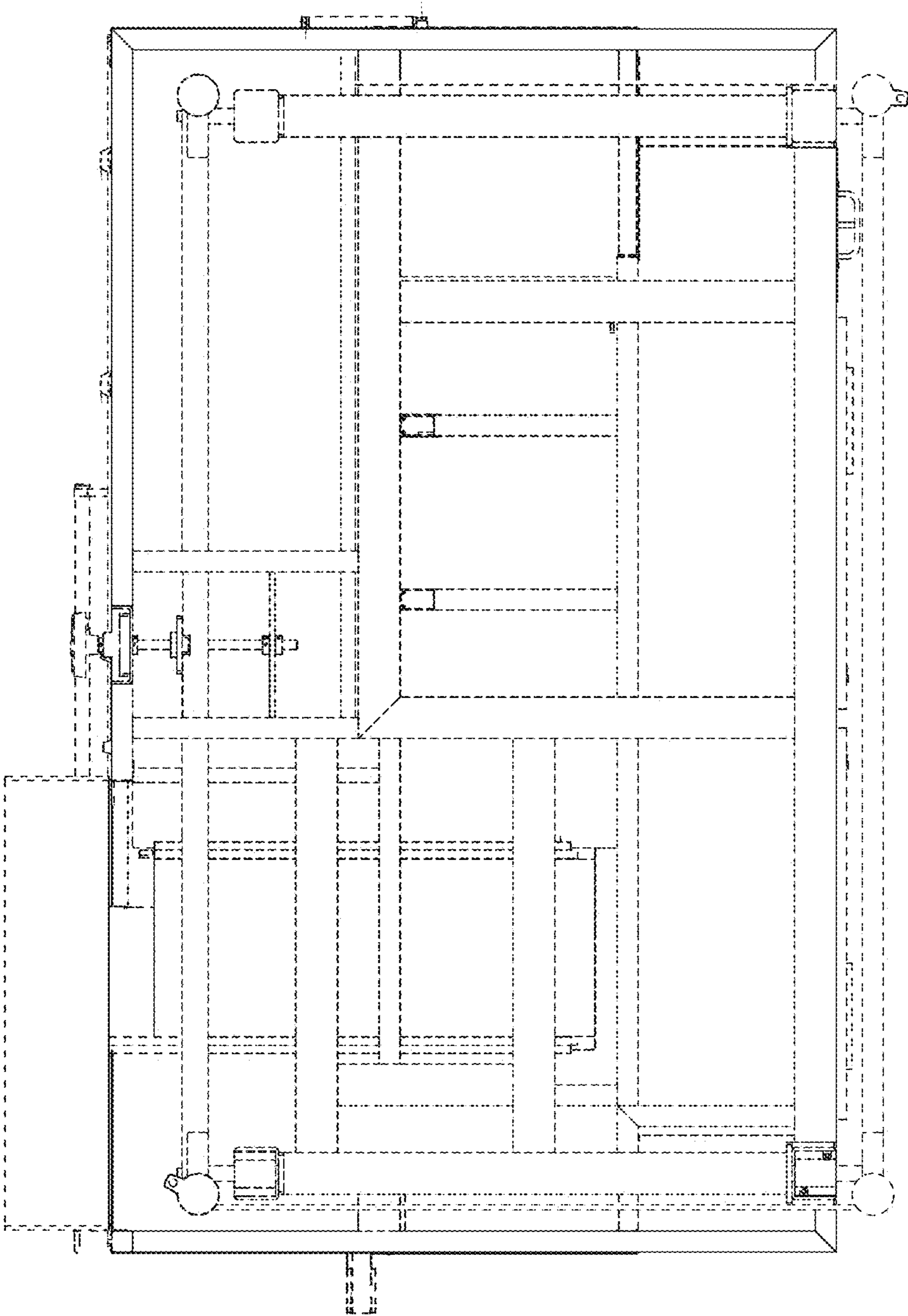


FIG. 7