



US00D757826S

(12) **United States Design Patent**  
**Hartz et al.**

(10) **Patent No.:** **US D757,826 S**  
(45) **Date of Patent:** **\*\* May 31, 2016**

(54) **HOOD FOR A WHEEL LOADER MACHINE**

(71) Applicant: **Caterpillar Inc.**, Peoria, IL (US)

(72) Inventors: **Phillip Hartz**, Sugar Grove, IL (US);  
**Daniel Hatfield**, Rochelle, IL (US);  
**Christopher Runestad**, North Aurora,  
IL (US); **Terril Johnson**, Washington, IL  
(US)

(73) Assignee: **Caterpillar Inc.**, Peoria, IL (US)

(\*\*) Term: **14 Years**

(21) Appl. No.: **29/501,126**

(22) Filed: **Sep. 2, 2014**

(51) **LOC (10) Cl.** ..... **15-03**

(52) **U.S. Cl.**  
USPC ..... **D15/31**

(58) **Field of Classification Search**  
USPC ..... D15/28, 31  
CPC ..... B60R 19/52; B60K 11/08; B60K 11/085;  
B62D 25/10  
See application file for complete search history.

(56) **References Cited**

**U.S. PATENT DOCUMENTS**

D624,567 S \* 9/2010 Kelley ..... D15/30  
D626,153 S \* 10/2010 Gavin ..... D15/31

D629,818 S \* 12/2010 Rummer ..... D15/31  
D632,313 S \* 2/2011 Kelley ..... D15/30  
D633,927 S \* 3/2011 Kelley ..... D15/30  
D676,466 S \* 2/2013 Ewringmann ..... D15/20  
D739,445 S \* 9/2015 Turner ..... D15/31

\* cited by examiner

*Primary Examiner* — Mitchell Siegel

(74) *Attorney, Agent, or Firm* — Finnegan, Henderson,  
Farabow, Garrett & Dunner, LLP

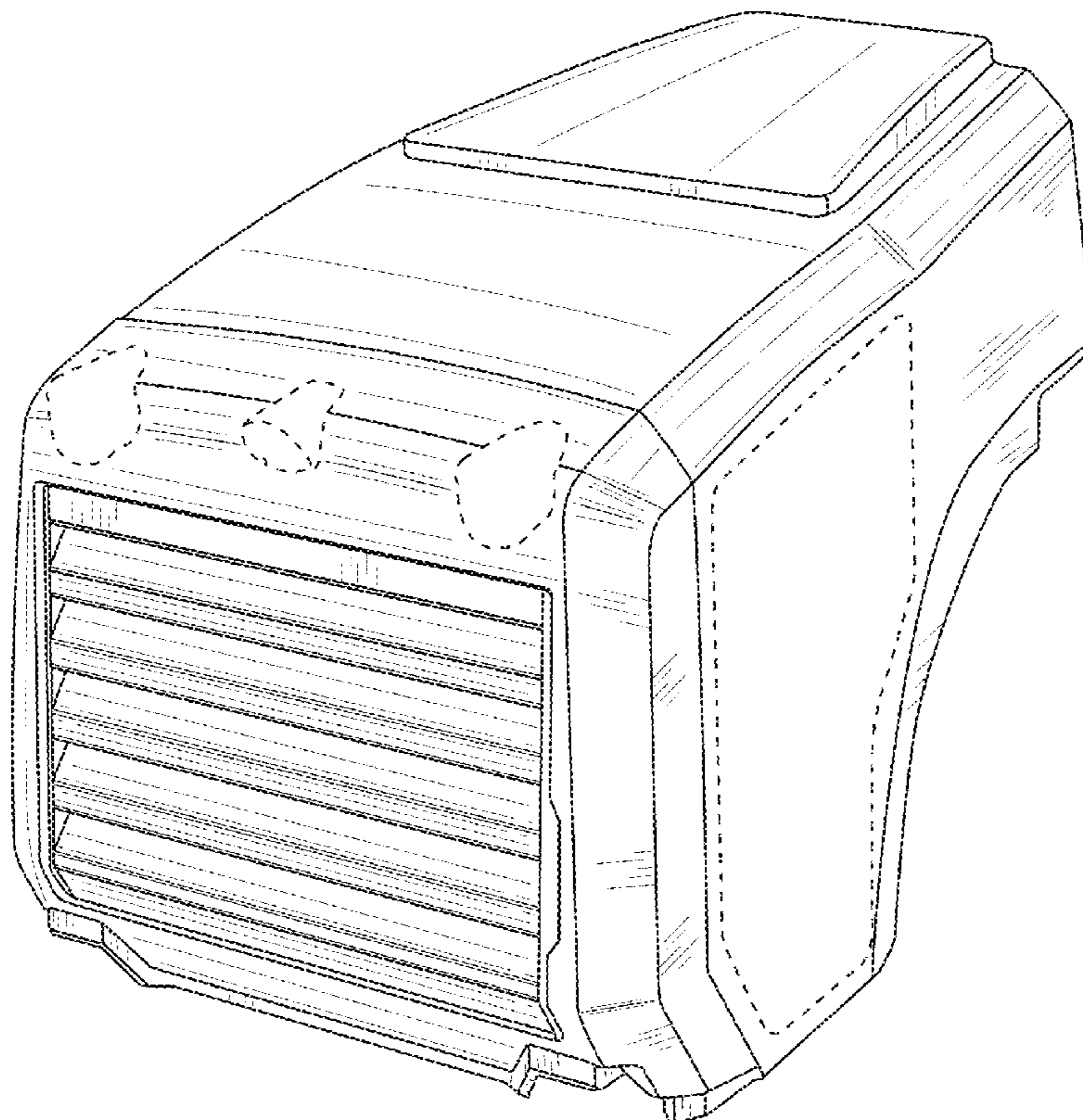
(57) **CLAIM**

The ornamental design for a hood for a wheel loader machine,  
as shown and described.

**DESCRIPTION**

FIG. 1 is a front left perspective view of a hood for a wheel loader machine showing our new design; FIG. 2 is a front elevation view thereof; FIG. 3 is a rear elevation view thereof; FIG. 4 is a left side view thereof; FIG. 5 is a right side view thereof; FIG. 6 is a top plan view thereof; and, FIG. 7 is a bottom plan view thereof. The broken lines of uneven length define the boundary of the claimed design. The broken lines shown in the drawings illustrate portions of the hood that form no part of the claimed design.

**1 Claim, 7 Drawing Sheets**



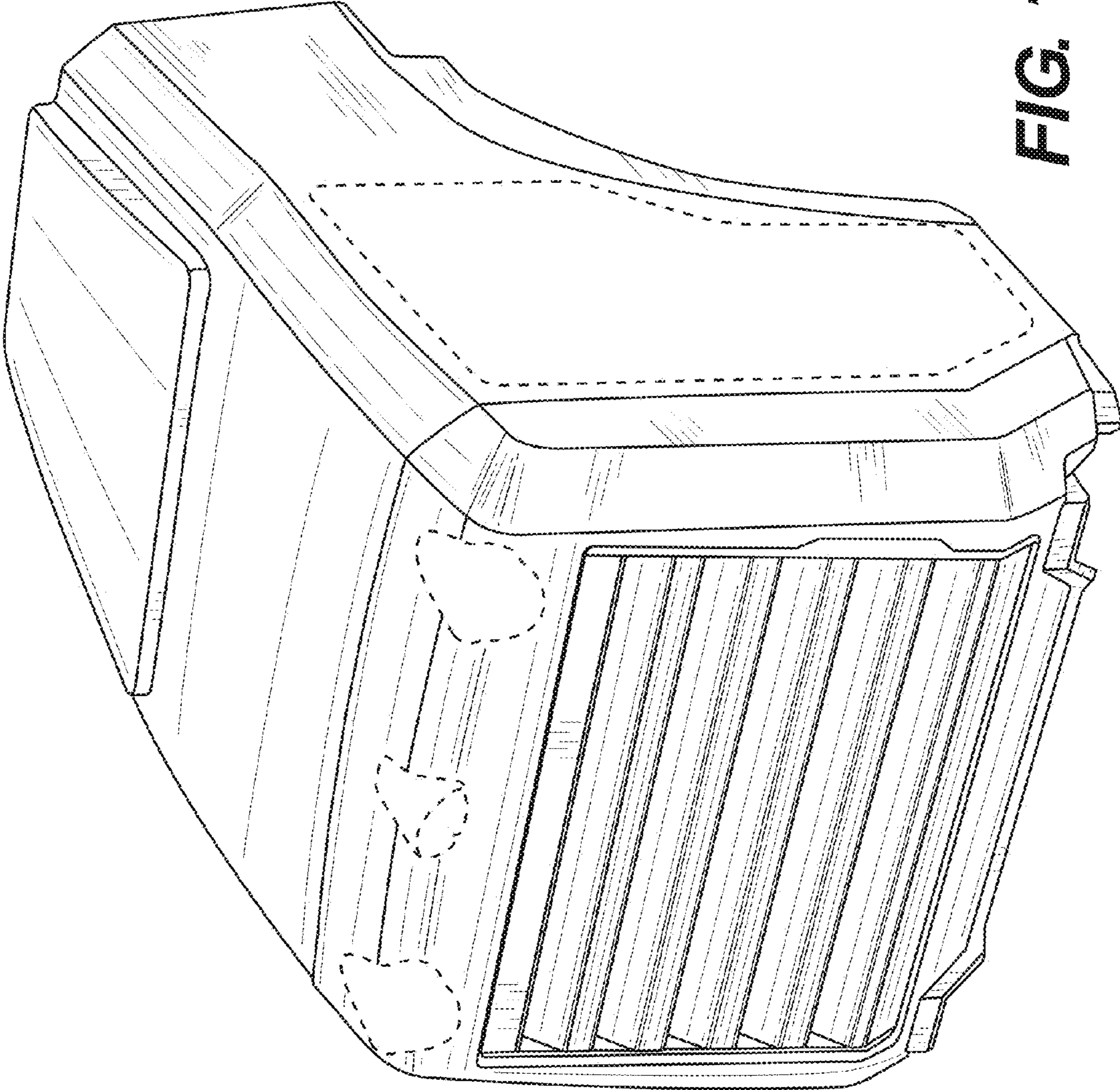
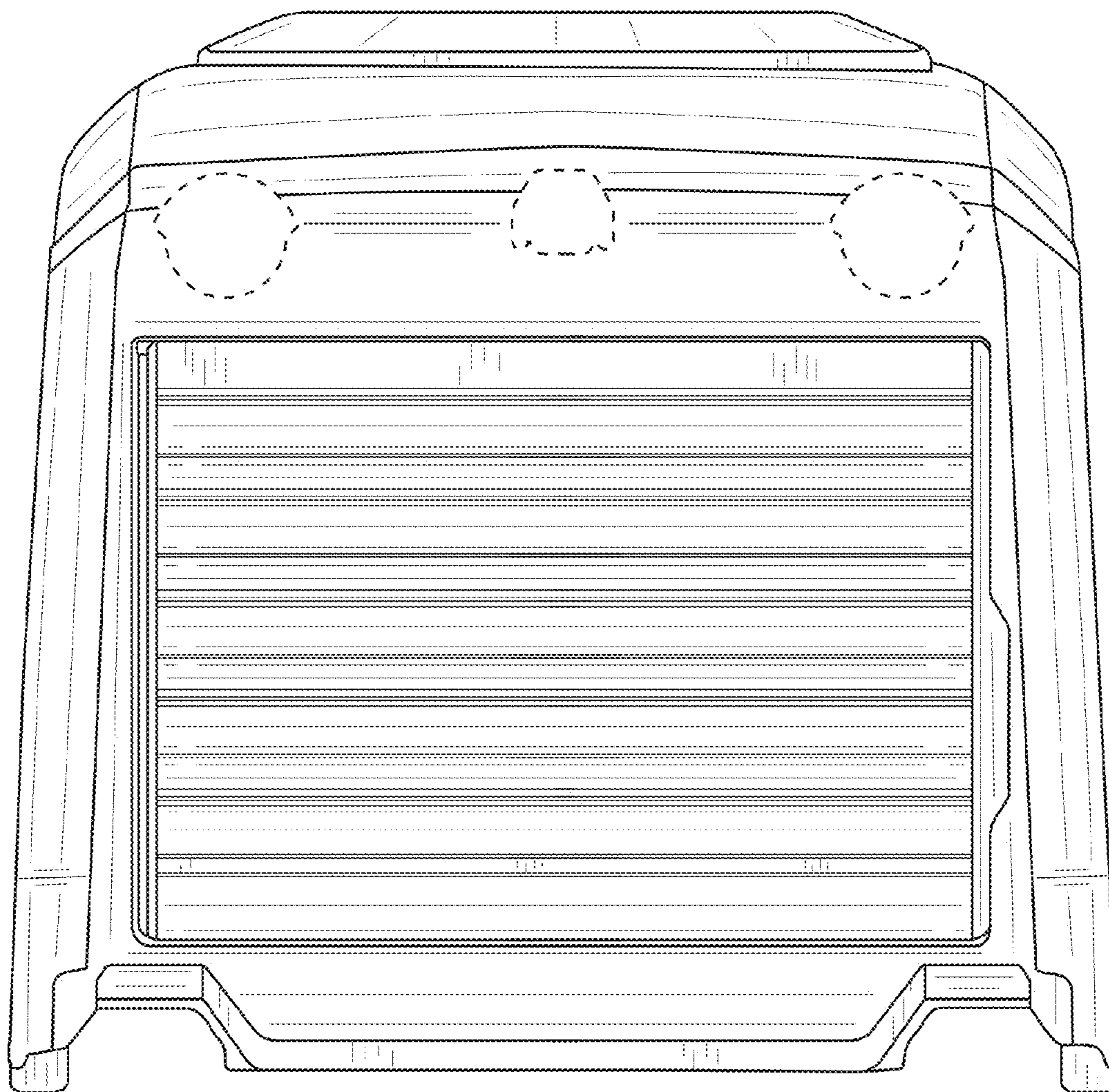
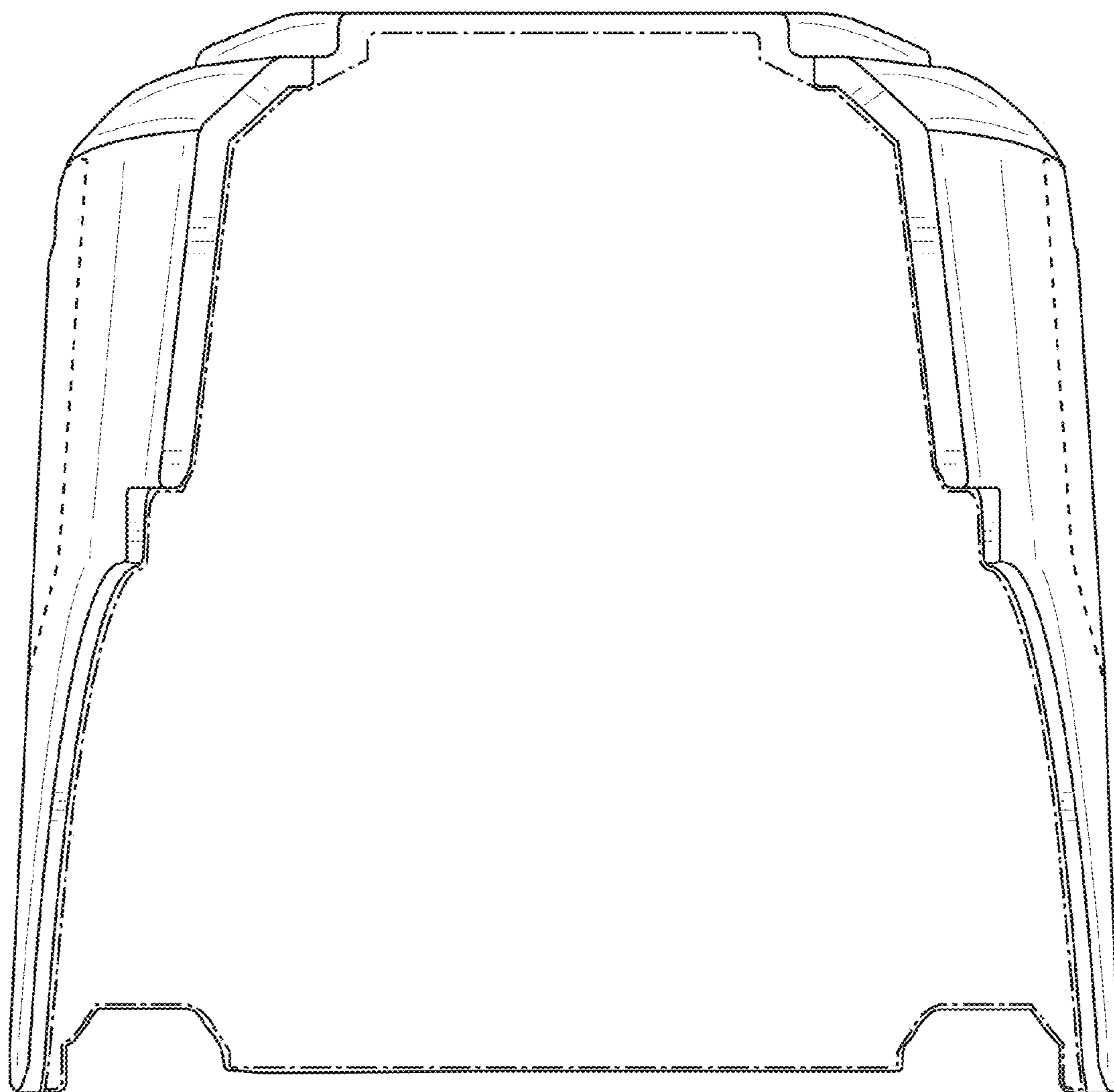


FIG. 1



**FIG. 2**





**FIG. 3**

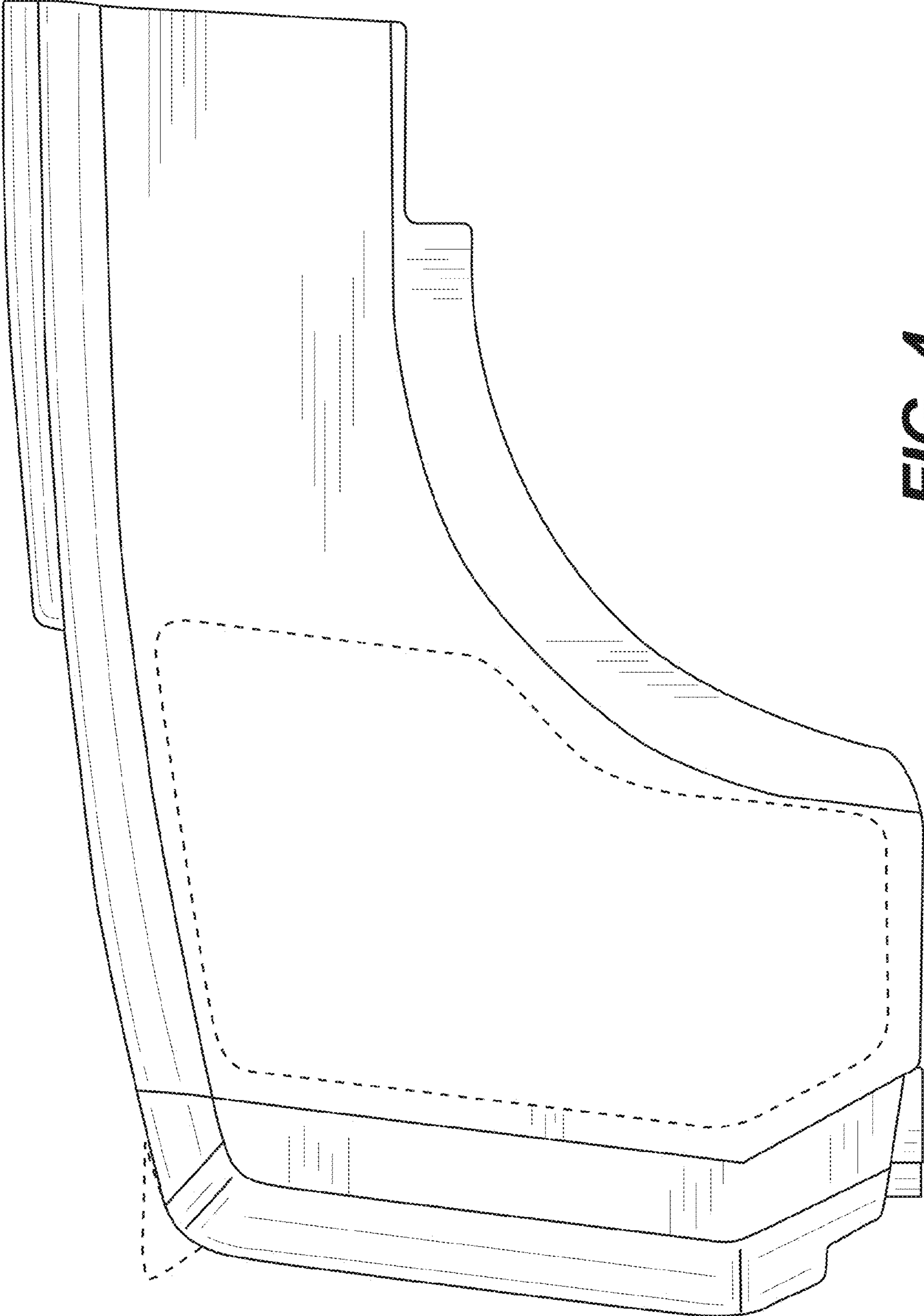
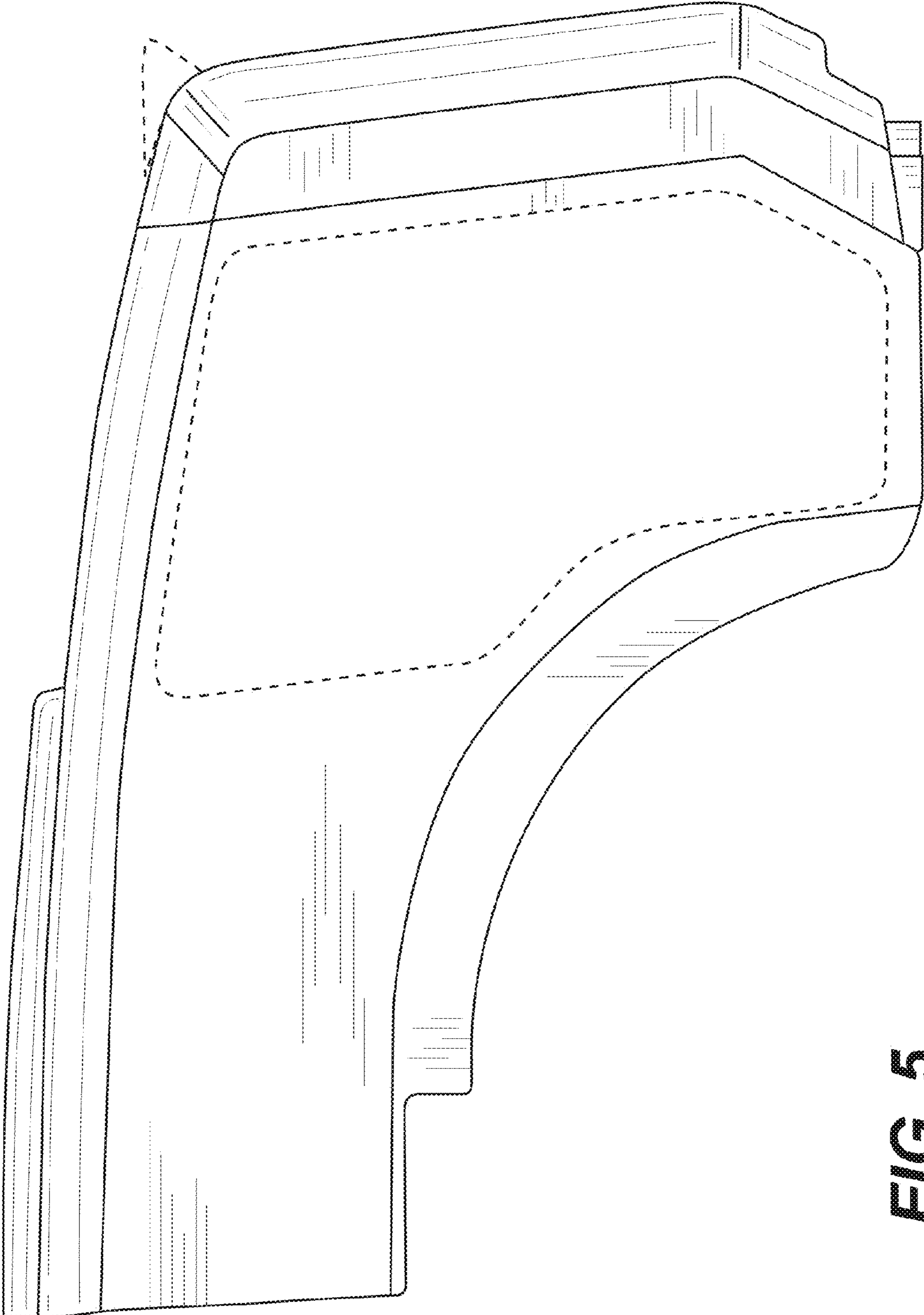
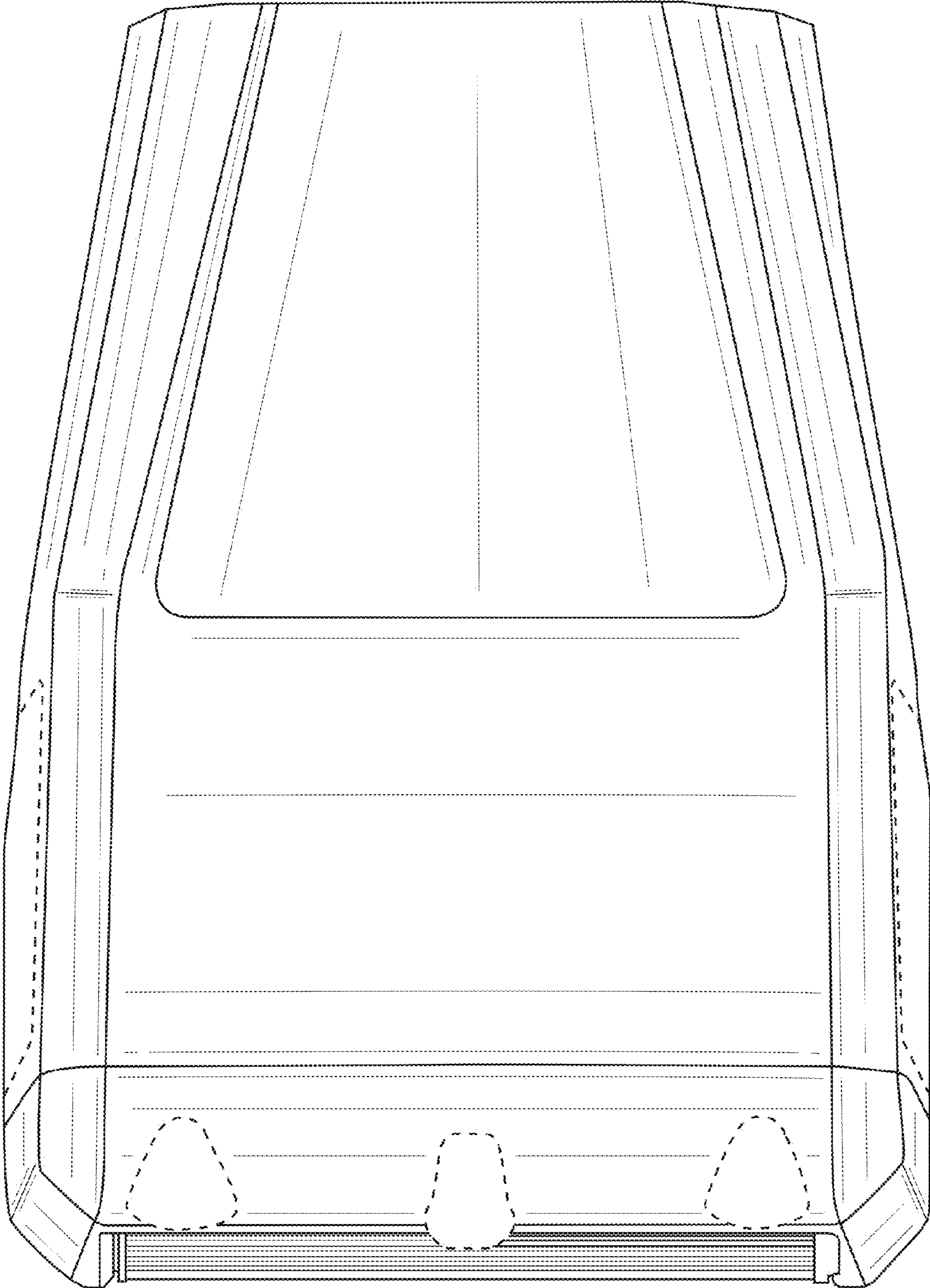


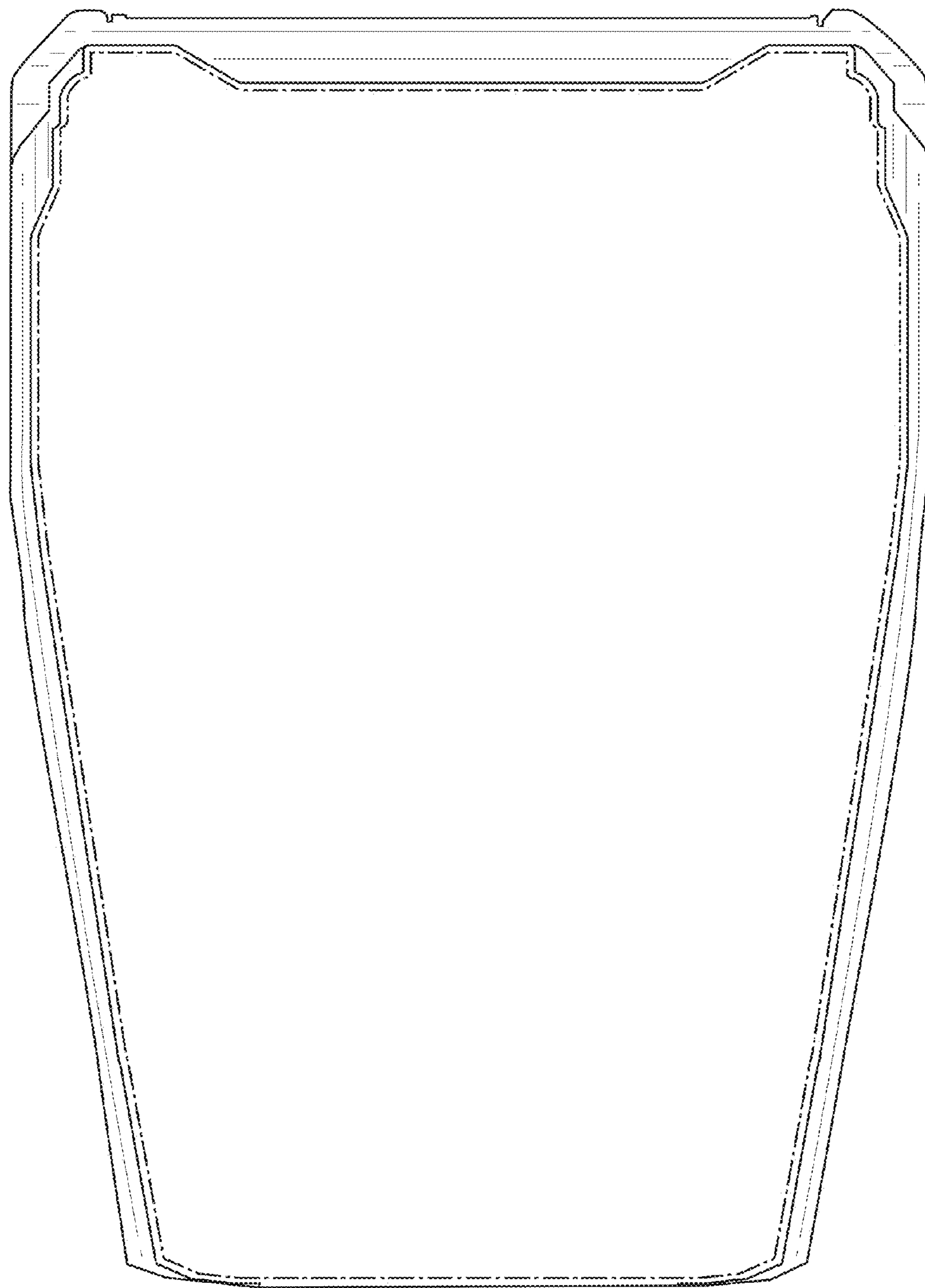
FIG. 4



**FIG. 5**



**FIG. 6**



**FIG. 7**