



US00D757825S

(12) **United States Design Patent**
Chevallier et al.

(10) **Patent No.:** **US D757,825 S**
(45) **Date of Patent:** **** May 31, 2016**

(54) **METERING PUMP**

D602,502 S * 10/2009 Hopper D15/9
D613,771 S * 4/2010 Gaertner D15/7
D712,435 S * 9/2014 Kodera D15/7

(71) Applicant: **Milton Roy, LLC**, Ivyland, PA (US)

* cited by examiner

(72) Inventors: **Yoann Chevallier**, Malaunay (FR);
Benjamin E. Heisey, Yardley, PA (US);
Patrick Sweeney, Philadelphia, PA (US)

Primary Examiner — Ralf Seifert

(74) *Attorney, Agent, or Firm* — James R. Gourley; Carstens & Cahoon, LLP

(73) Assignee: **Milton Roy, LLC**, Ivyland, PA (US)

(**) Term: **15 Years**

(57) **CLAIM**

The ornamental design for a metering pump, as shown and described.

(21) Appl. No.: **29/534,533**

DESCRIPTION

(22) Filed: **Jul. 29, 2015**

(51) **LOC (10) Cl.** **15-02**

(52) **U.S. Cl.**
USPC **D15/7**

(58) **Field of Classification Search**
USPC D15/7-9; D23/231, 232, 225; 417/60,
417/235, 265, 321, 355, 358, 363, 359,
417/410.1, 415-416, 405, 900, 476, 477.1;
60/408, 412; 415/140-147; 226/91;
604/135; D24/108, 111, 164, 169
CPC F04B 43/12; F04B 43/1253
See application file for complete search history.

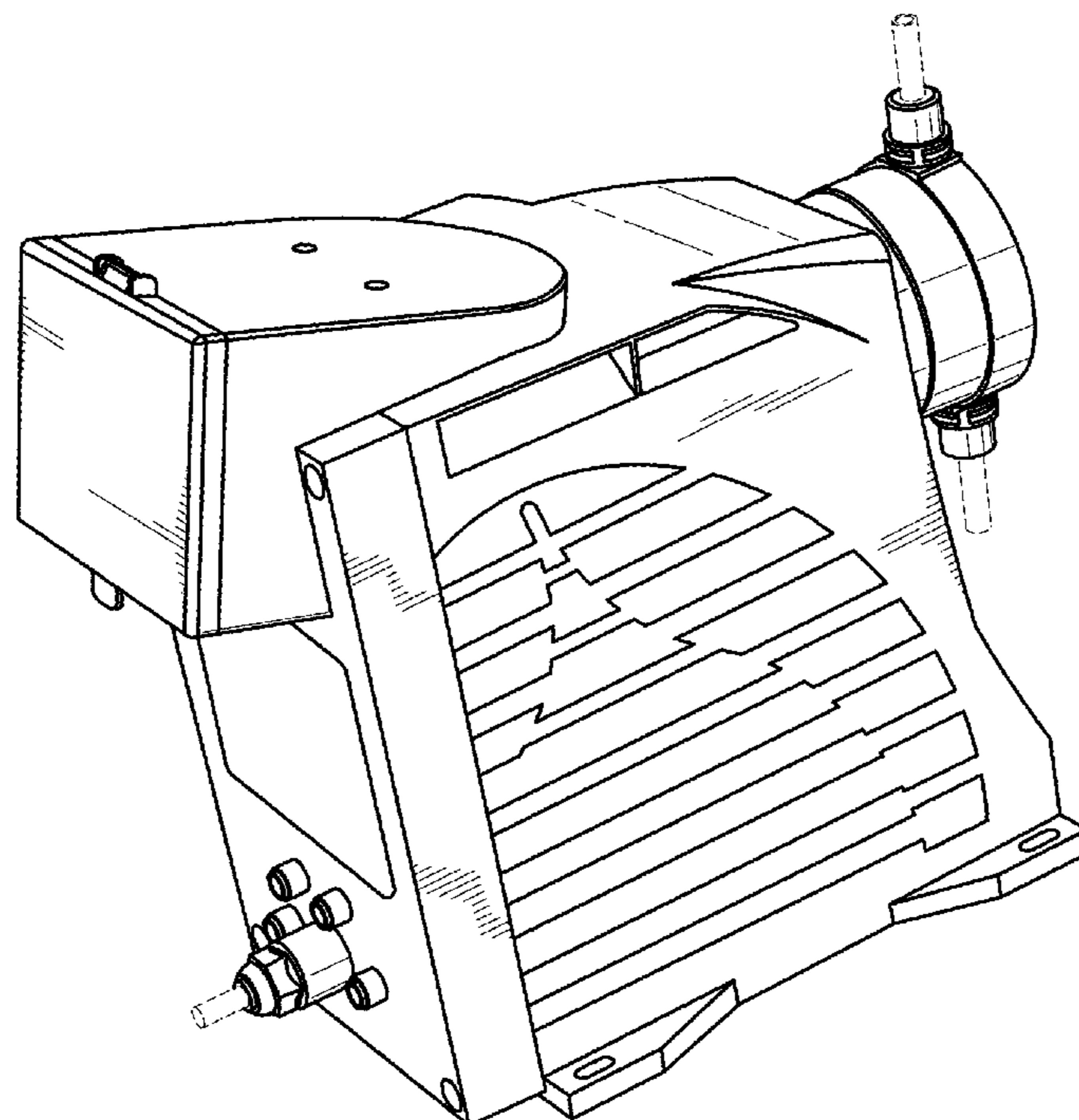
FIG. 1 is a front perspective view of the metering pump of the present invention;
FIG. 2 is a rear perspective view of the metering pump of the present invention;
FIG. 3 is a top elevation view of the metering pump of the present invention;
FIG. 4 is a bottom elevation view of the metering pump of the present invention;
FIG. 5 is a right side elevation view of the metering pump of the present invention; and
FIG. 6 is a left side elevation view of the metering pump of the present invention;
FIG. 7 is a front elevation view of the metering pump of the present invention in use; and,
FIG. 8 is a rear elevation view of the metering pump of the present invention in use.
The broken lines are for illustrative purposes only and form no part of the claimed design.

(56) **References Cited**

U.S. PATENT DOCUMENTS

D315,739 S * 3/1991 Lannoch D15/7
D344,735 S * 3/1994 Ohman D15/7
D376,199 S * 12/1996 Rozek D15/9
D515,102 S * 2/2006 Buck D15/7
D529,926 S * 10/2006 Krieger D15/9

1 Claim, 6 Drawing Sheets



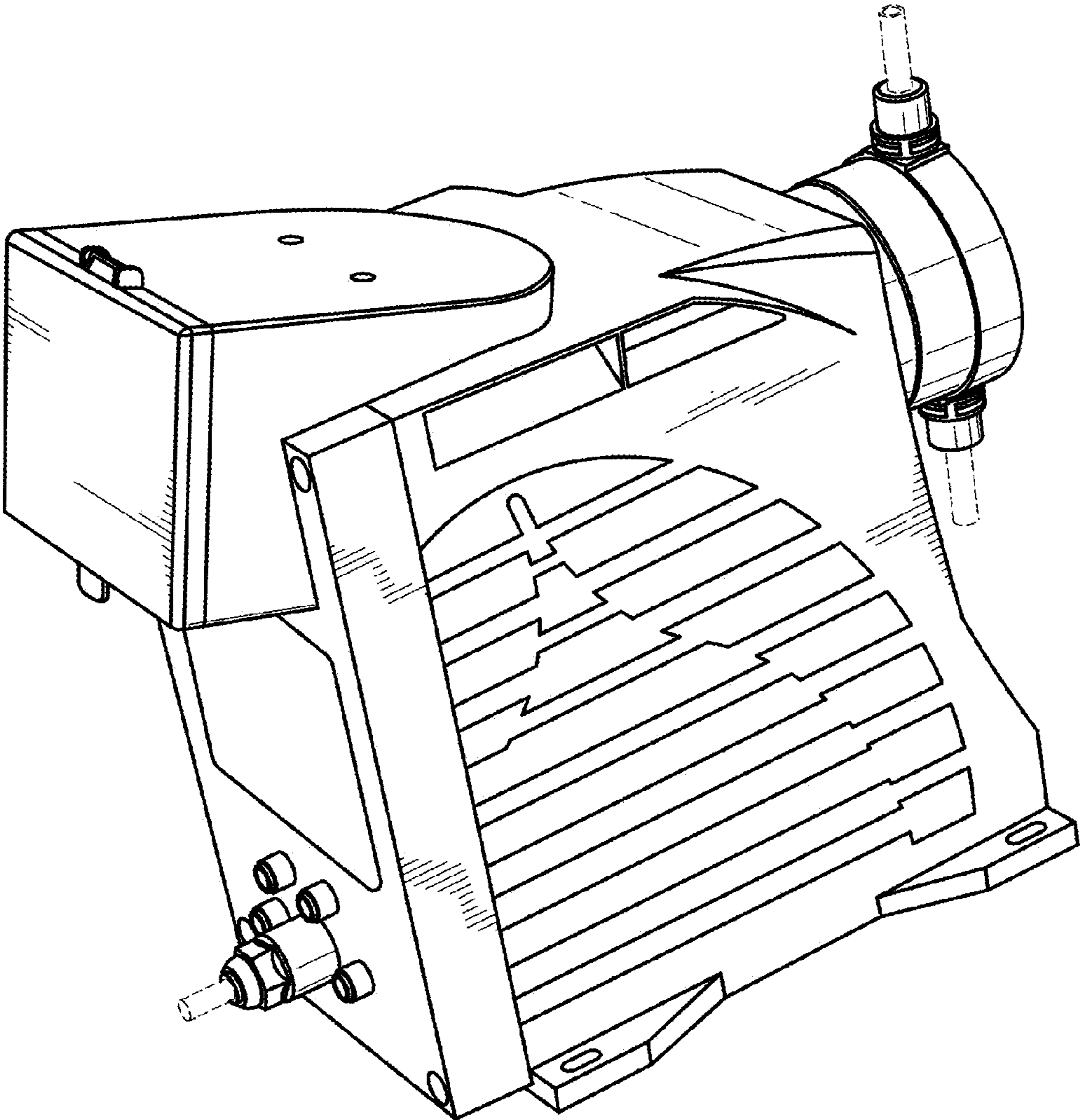


FIG. 1

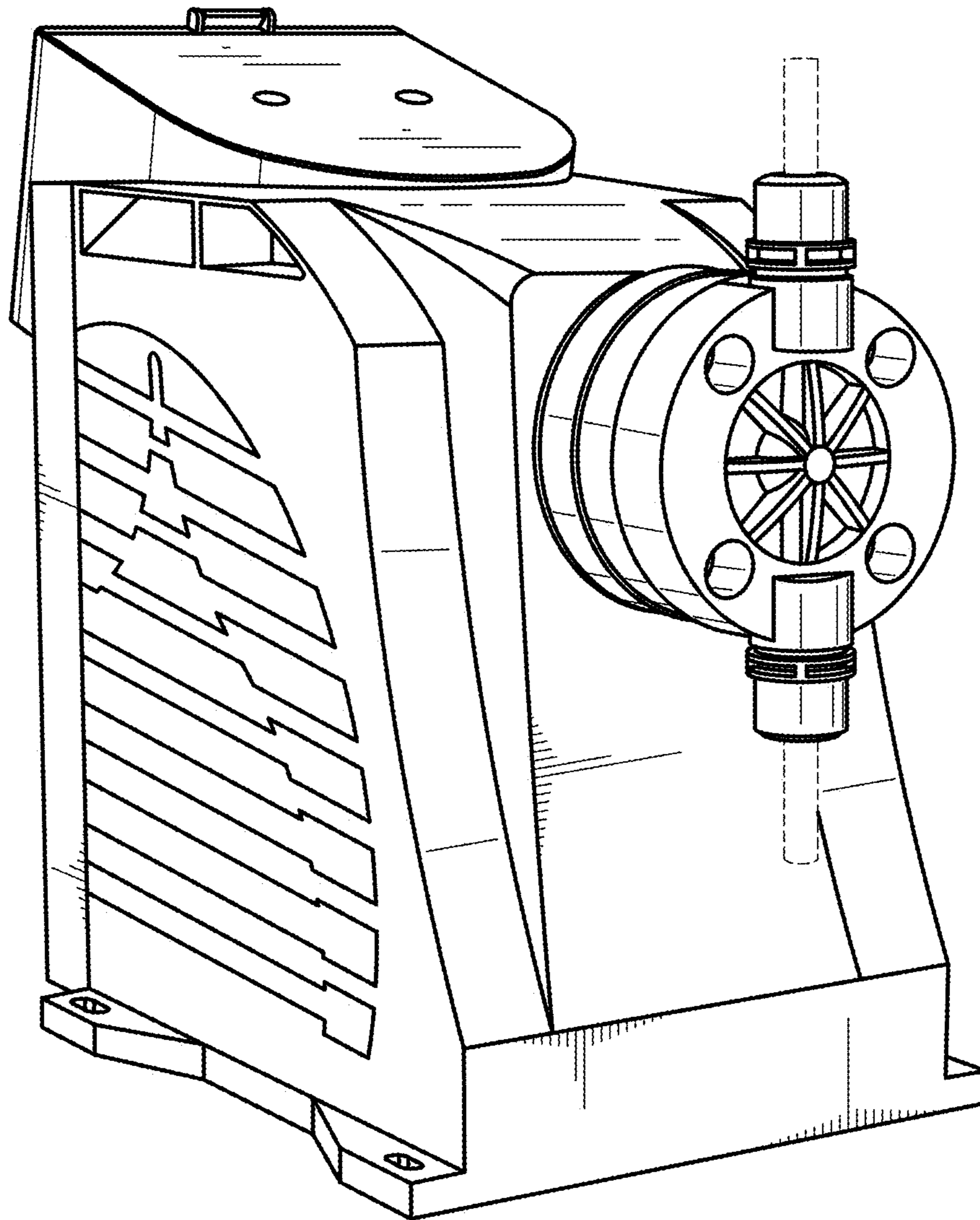


FIG. 2

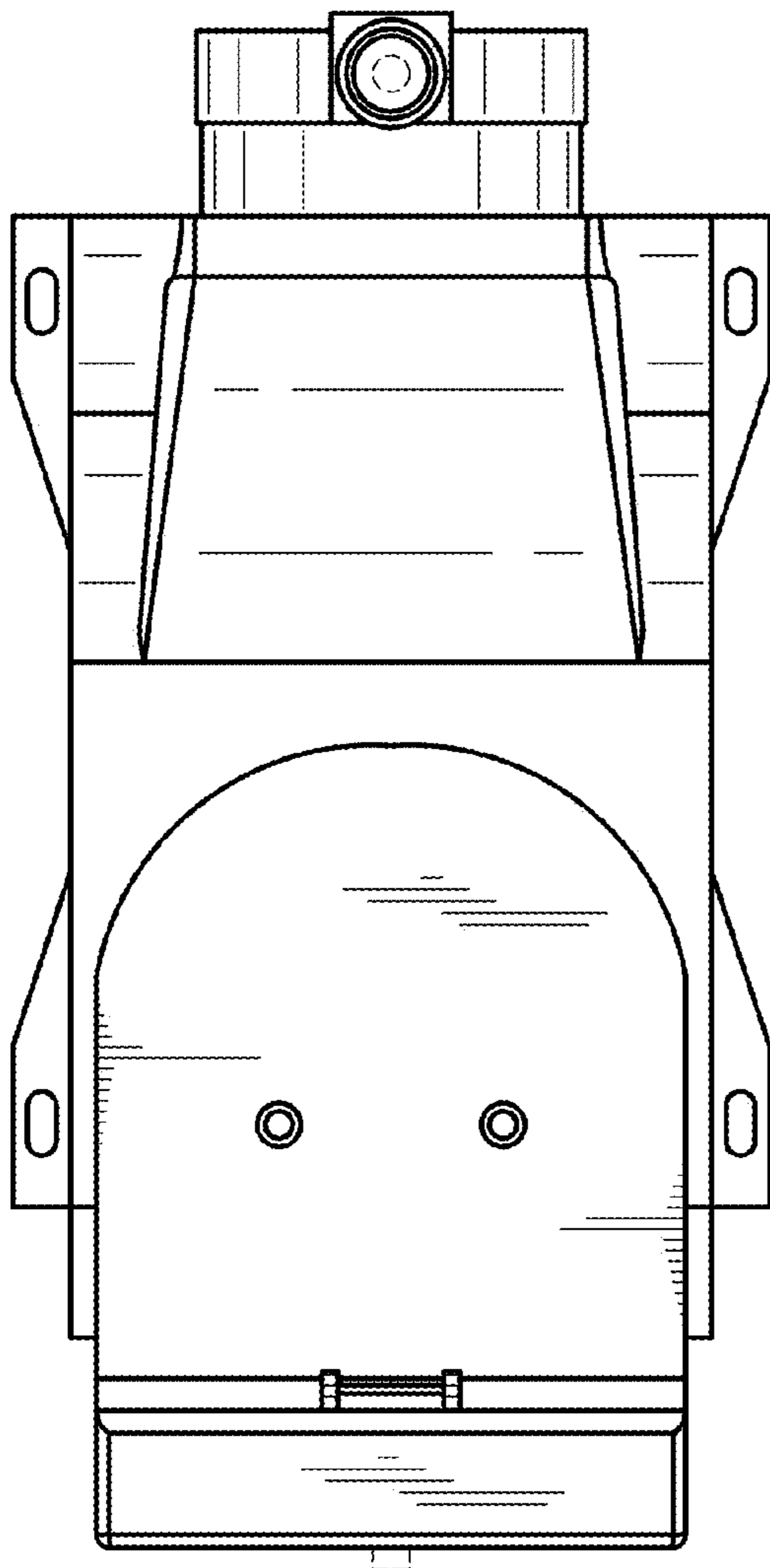


FIG. 3

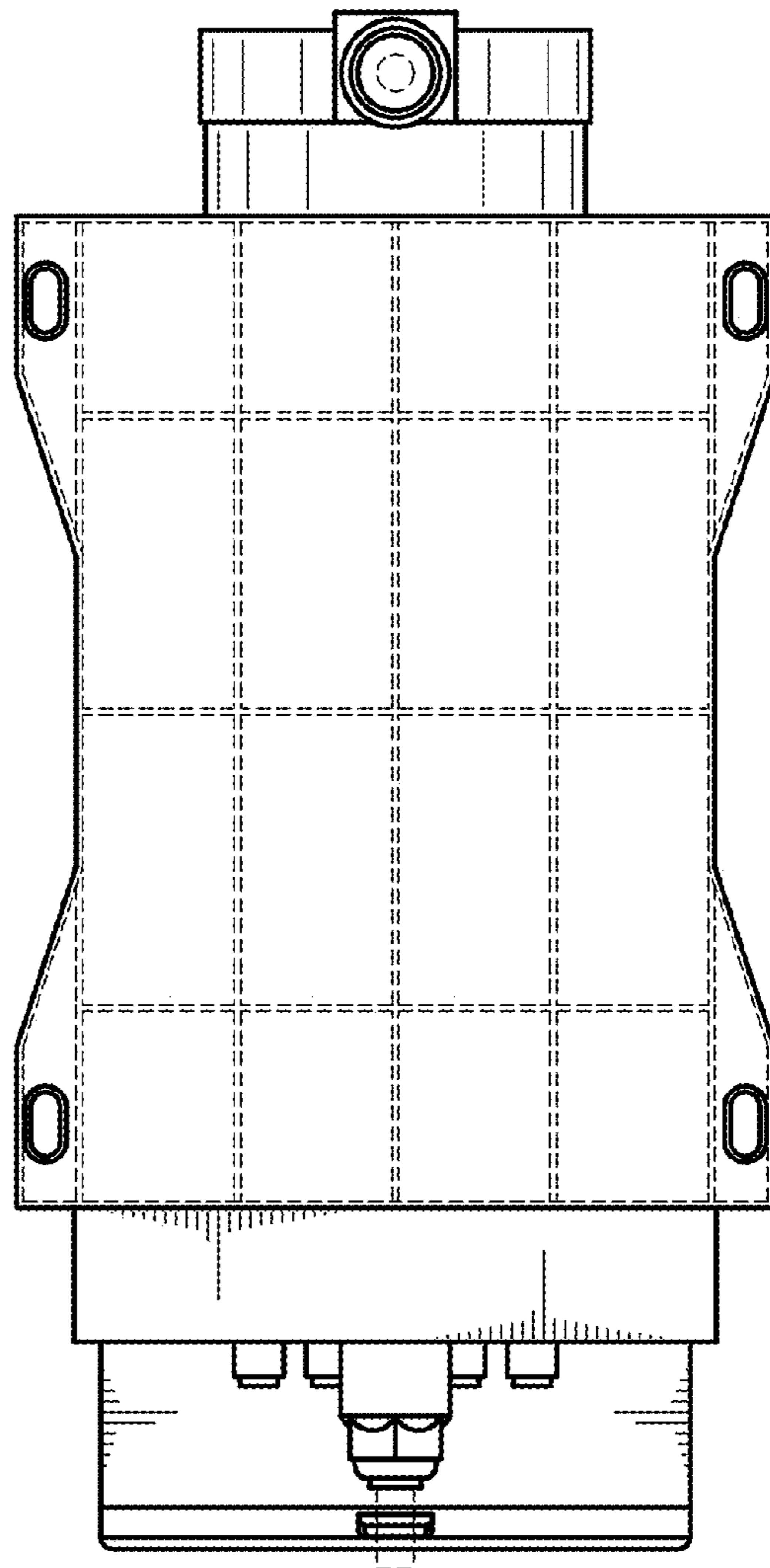


FIG. 4

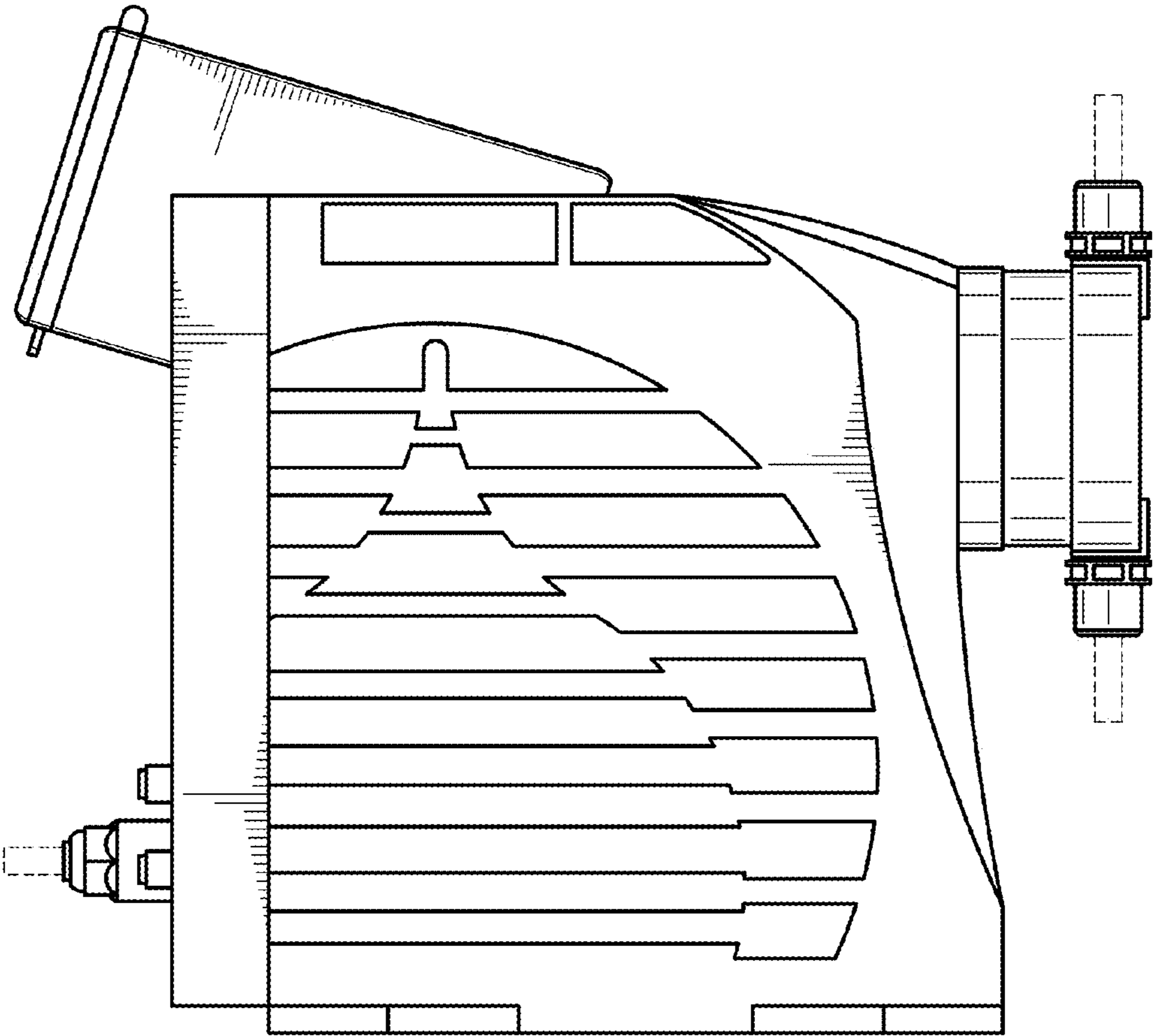


FIG. 5

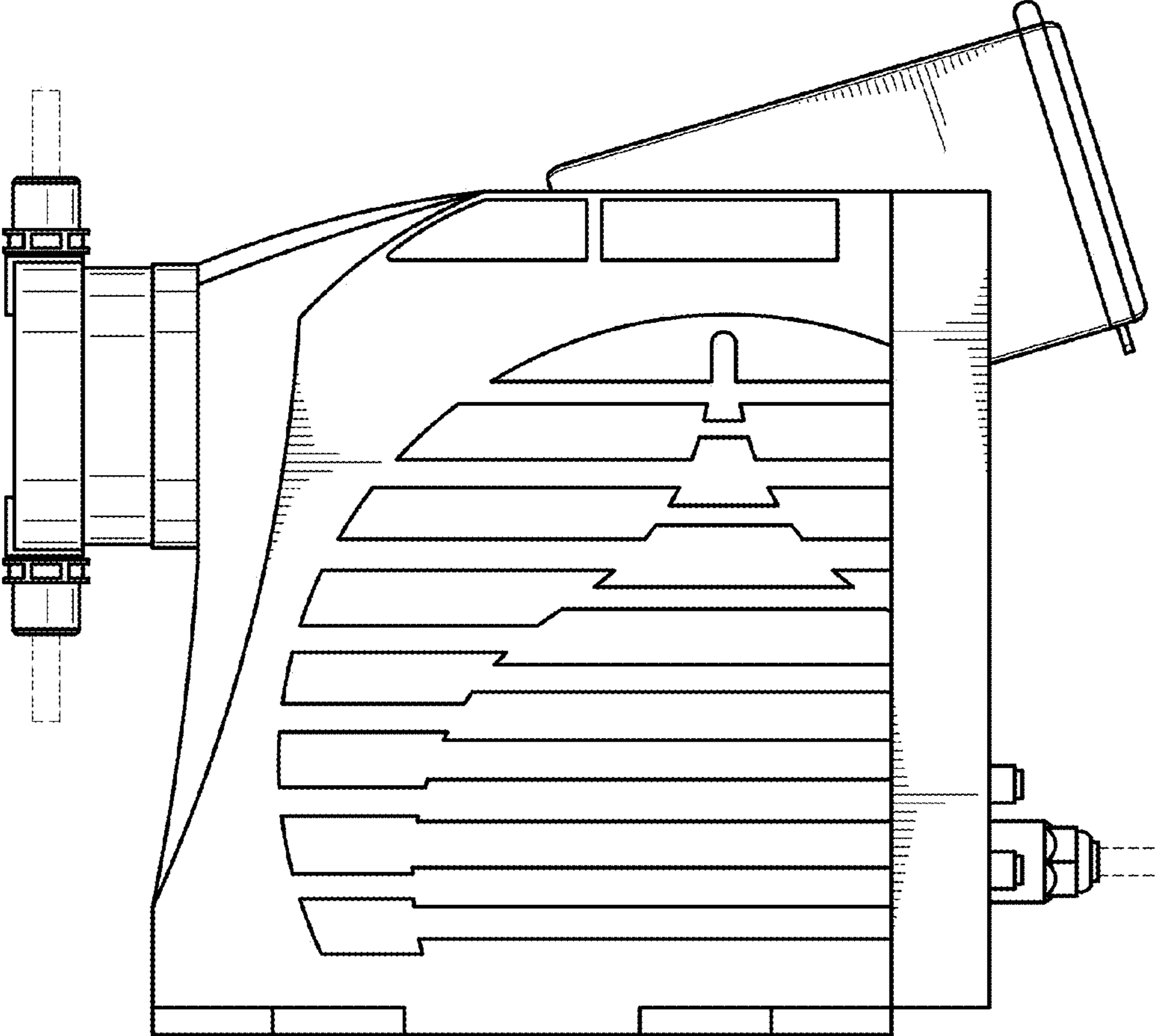


FIG. 6

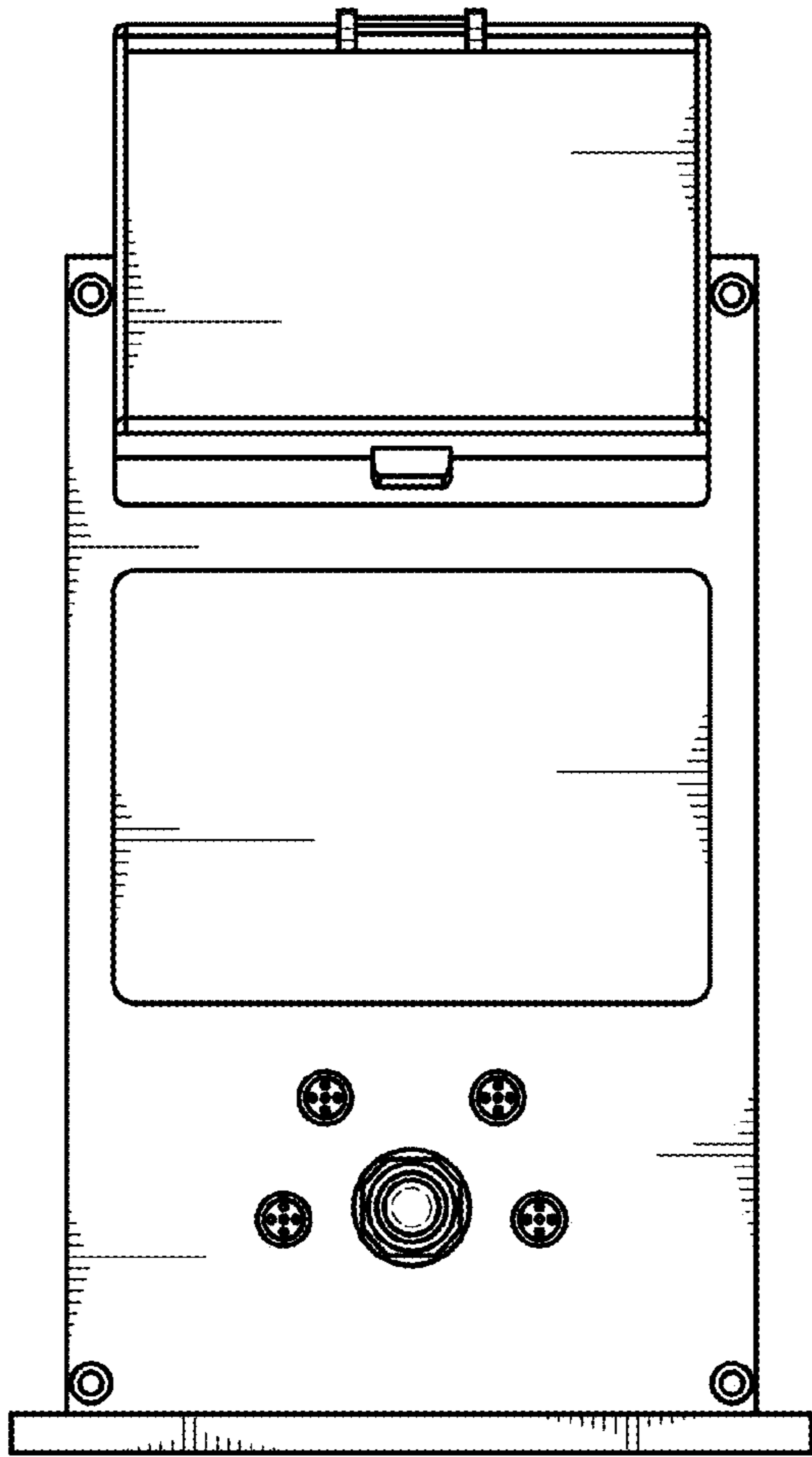


FIG. 7

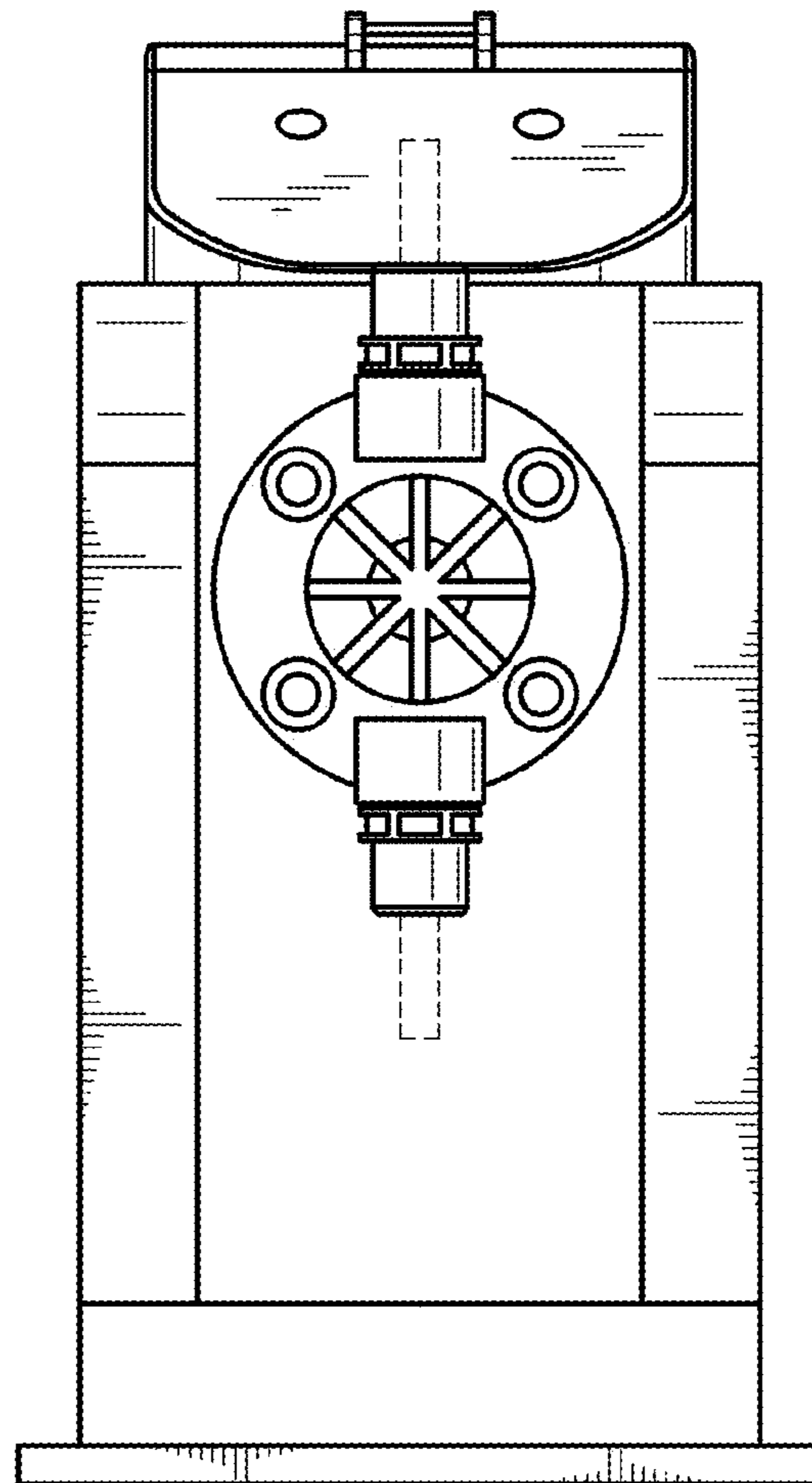


FIG. 8