



US00D757824S

(12) **United States Design Patent**
Green

(10) **Patent No.:** **US D757,824 S**

(45) **Date of Patent:** **** May 31, 2016**

(54) **HOUSING**

(71) Applicant: **Homer TLC, Inc.**, Wilmington, DE
(US)

(72) Inventor: **Adam Green**, Atlanta, GA (US)

(73) Assignee: **Home Depot Product Authority, LLC**,
Atlanta, GA (US)

(**) Term: **14 Years**

(21) Appl. No.: **29/501,520**

(22) Filed: **Sep. 4, 2014**

(51) **LOC (10) Cl.** **15-02**

(52) **U.S. Cl.**
USPC **D15/7**

(58) **Field of Classification Search**
USPC D15/7-9; D23/231, 232, 225; 417/60,
417/235, 265, 321, 355, 358, 363, 359,
417/410.1, 415-416, 405, 900; 60/408,
60/412; 184/26-37; 415/140-147;
123/495, 509; 137/565.34
CPC F02M 37/04; F02M 37/14
See application file for complete search history.

(56) **References Cited**

U.S. PATENT DOCUMENTS

D281,691 S	*	12/1985	Vitaloni	D15/9
D455,761 S	*	4/2002	Graber	D15/9
D472,560 S	*	4/2003	Shiau	D15/9
D484,514 S	*	12/2003	Hsiao	D15/9
D484,893 S	*	1/2004	Hsiao	D15/9

D497,917 S	*	11/2004	Harper	D15/9
D507,279 S	*	7/2005	Harper	D15/9
D515,102 S	*	2/2006	Buck	D15/7
D517,569 S	*	3/2006	Hsiao	D15/7
D528,566 S	*	9/2006	Hsiao	D15/9
D534,549 S	*	1/2007	Beecham	D15/9
D534,926 S	*	1/2007	Beecham	D15/9
D539,309 S	*	3/2007	Matsuoka	D15/9
D575,308 S	*	8/2008	Plunk	D15/9
D579,463 S	*	10/2008	Plunk	D15/9
D613,771 S	*	4/2010	Gaertner	D15/7
D617,347 S	*	6/2010	Plunk	D15/9
D622,739 S	*	8/2010	Bass	D15/9
D648,352 S	*	11/2011	Hsiao	D15/7
D707,719 S	*	6/2014	Kamijyo	D15/7
D712,435 S	*	9/2014	Kodera	D15/7

* cited by examiner

Primary Examiner — Ralf Seifert

(74) *Attorney, Agent, or Firm* — Greenberg Traurig, LLP

(57) **CLAIM**

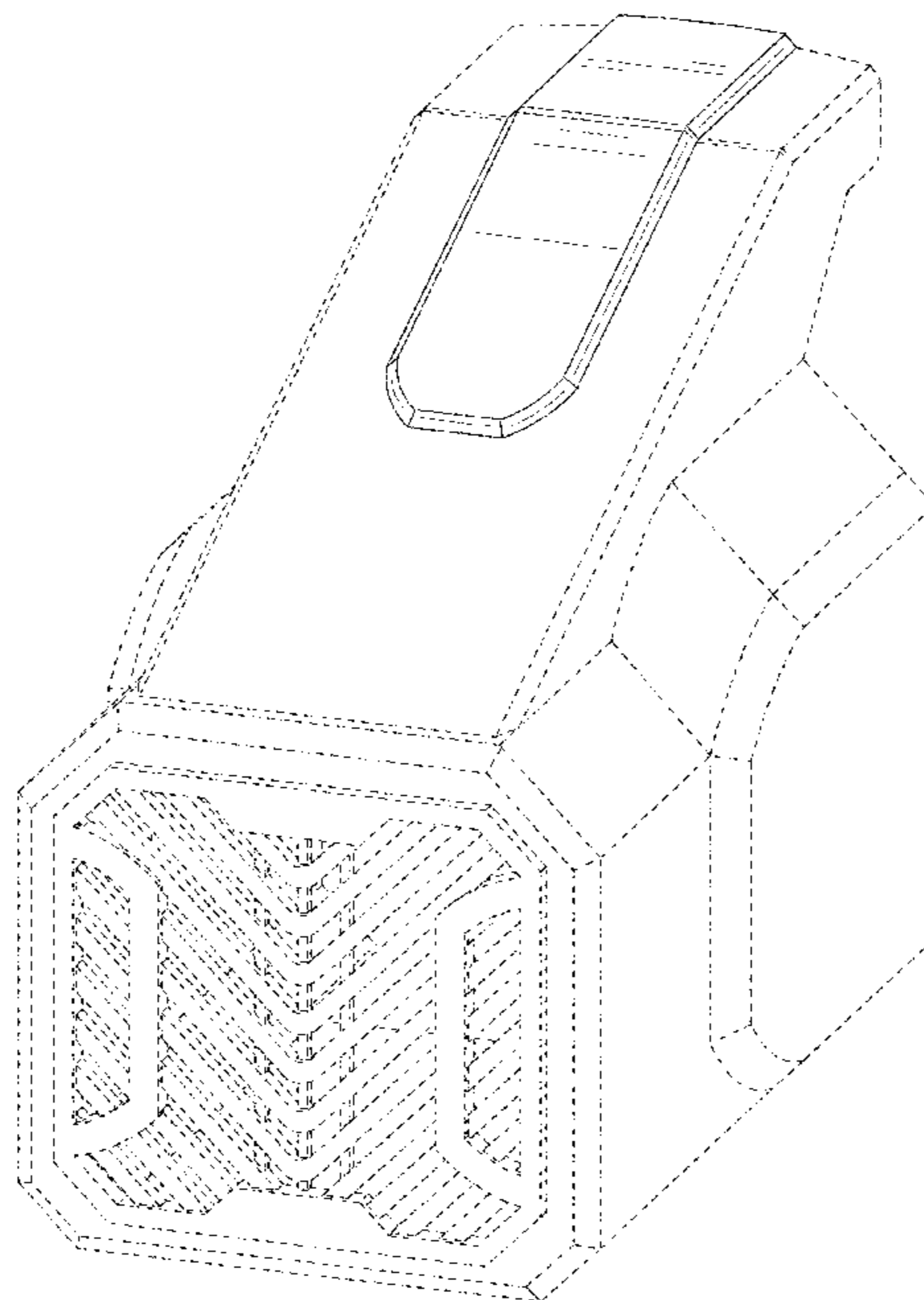
The ornamental design for a housing, as shown and described.

DESCRIPTION

FIG. 1 is a perspective view of my housing;
FIG. 2 is another perspective view thereof;
FIG. 3 is front view thereof;
FIG. 4 is a back view thereof; and,
FIG. 5 is a top view thereof.

The dashed lines in the figures form no part of the claimed design. All other surface(s) or portion(s) of my housing not shown in the figures or otherwise described in the specification form no part of the claimed design.

1 Claim, 5 Drawing Sheets



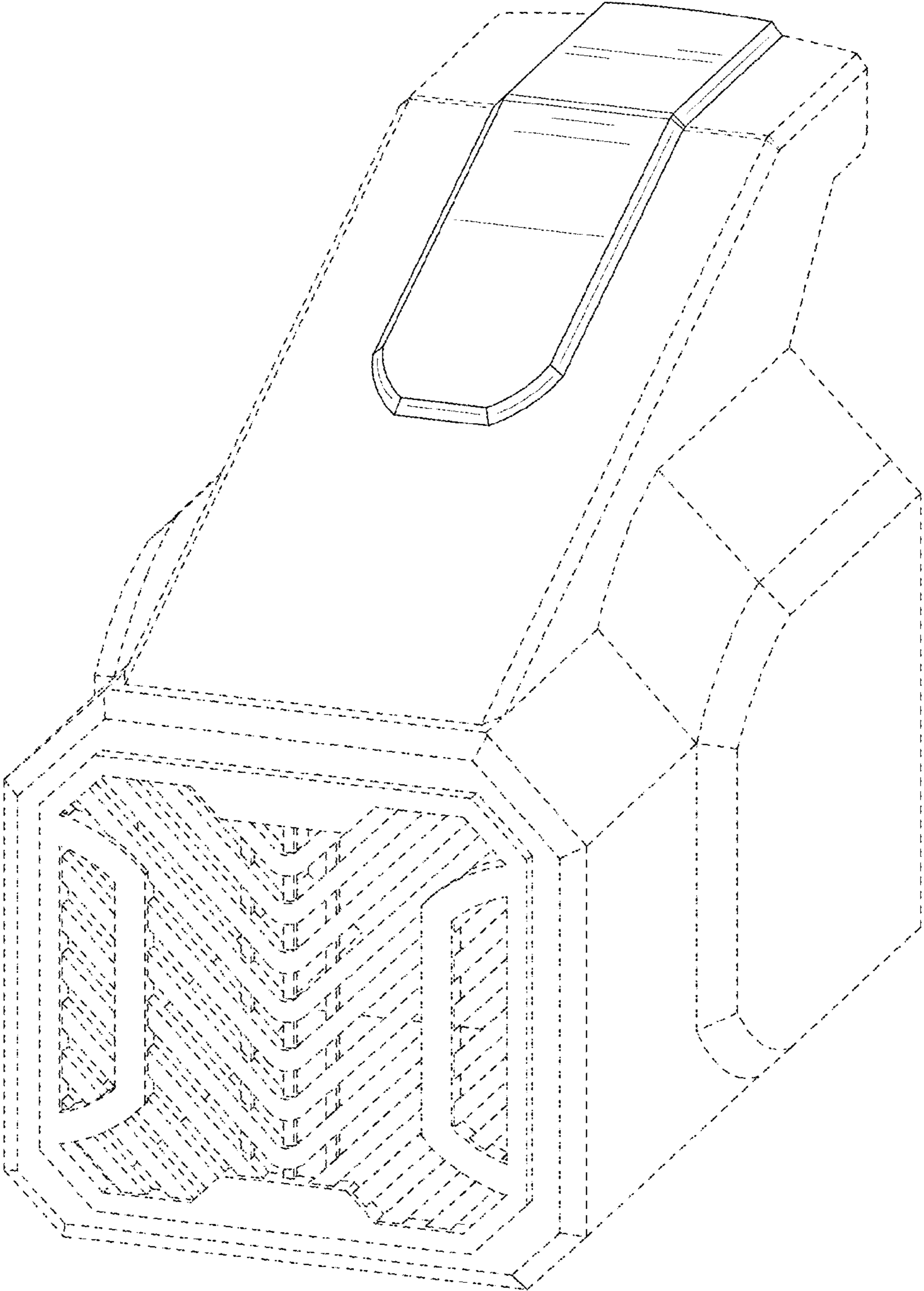


FIG. 1

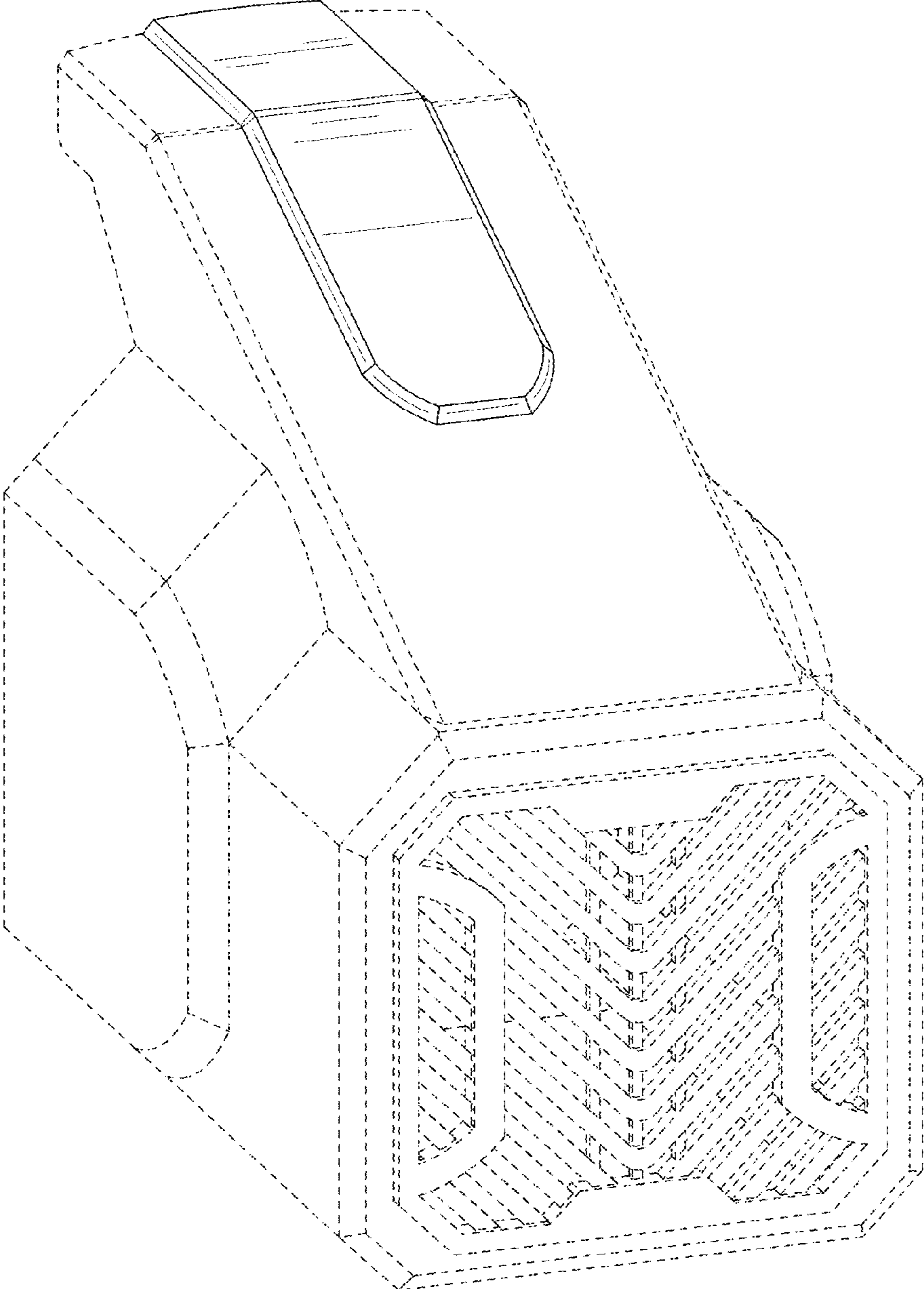


FIG. 2

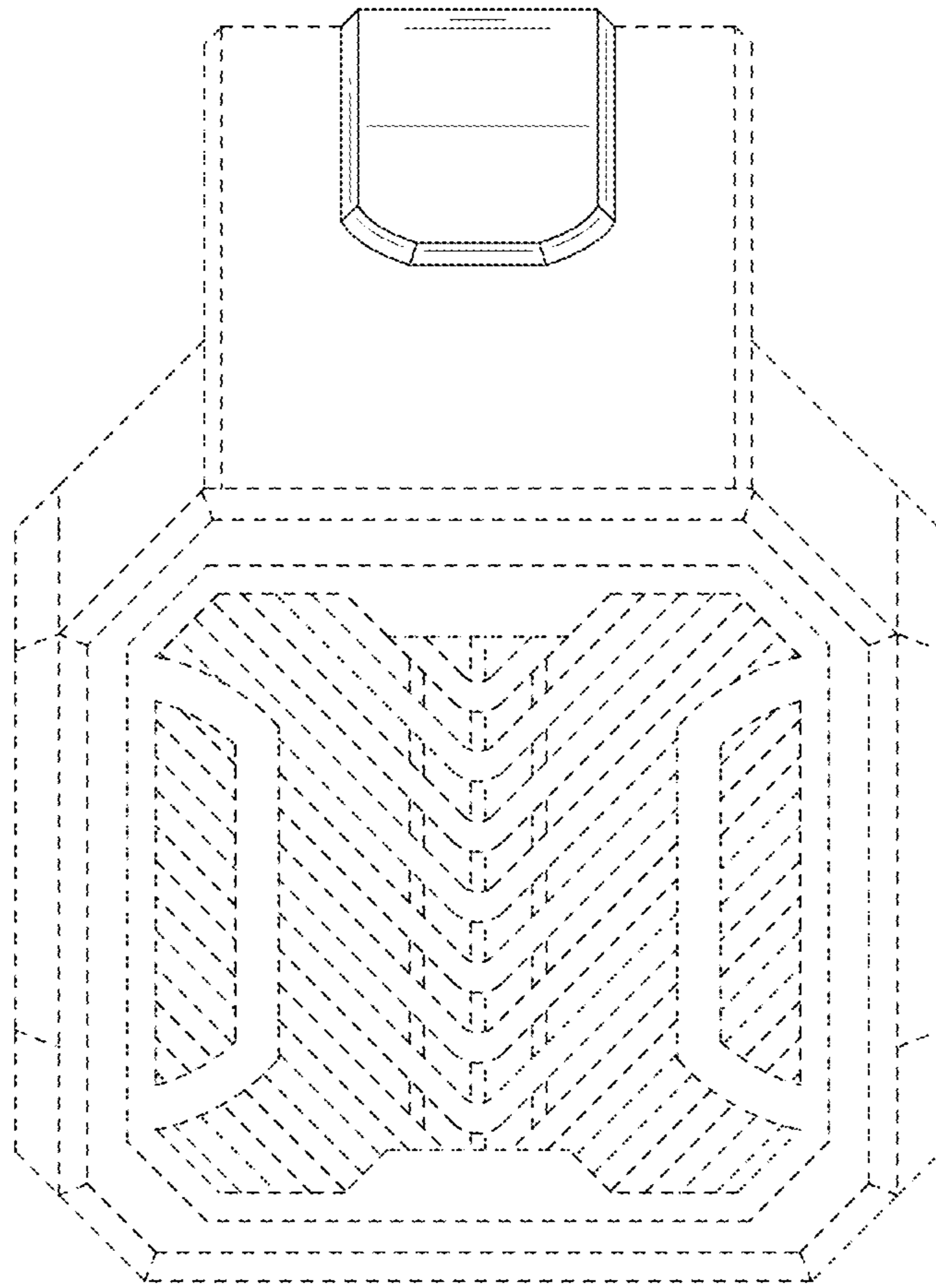


FIG. 3

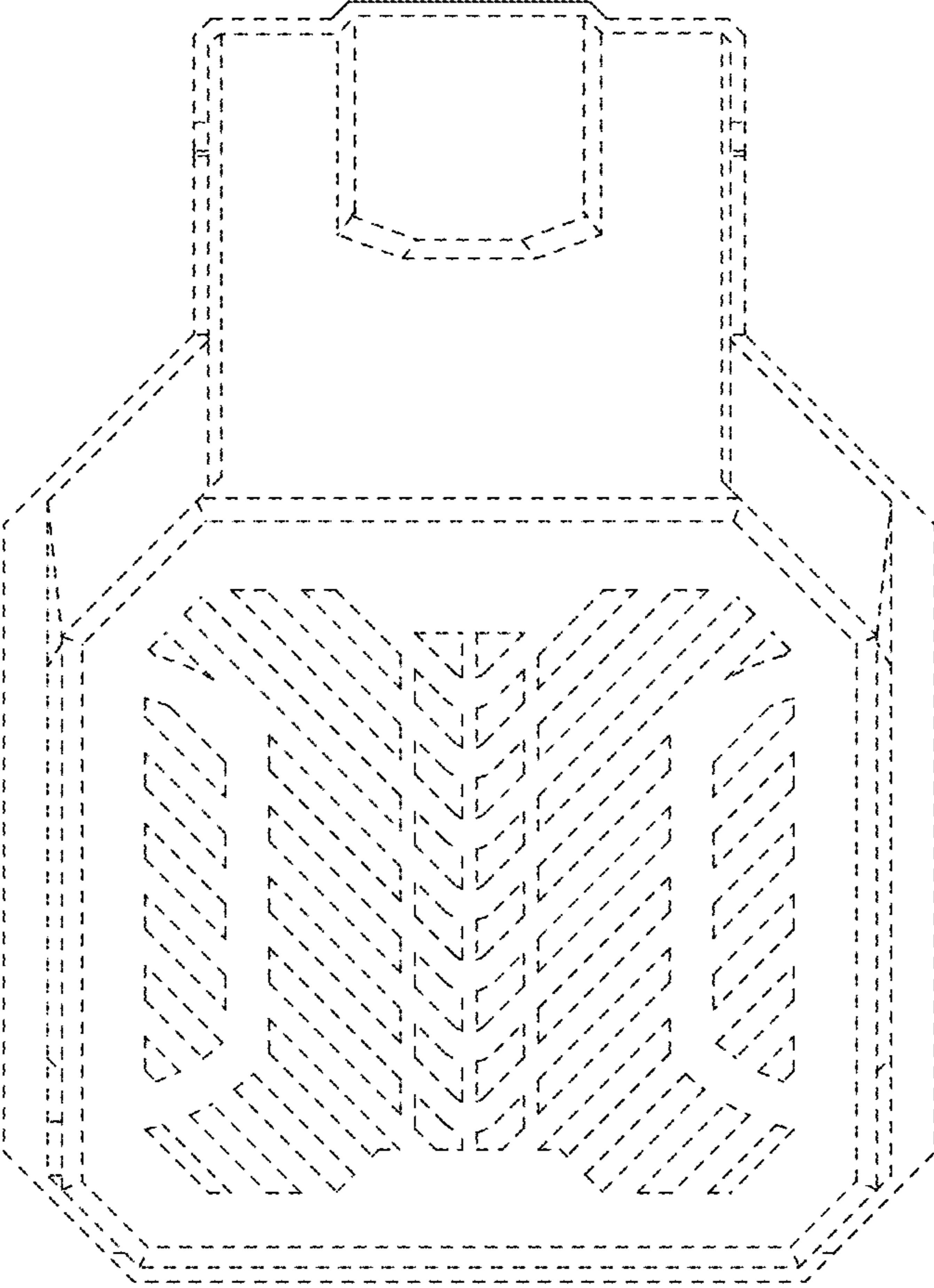


FIG. 4

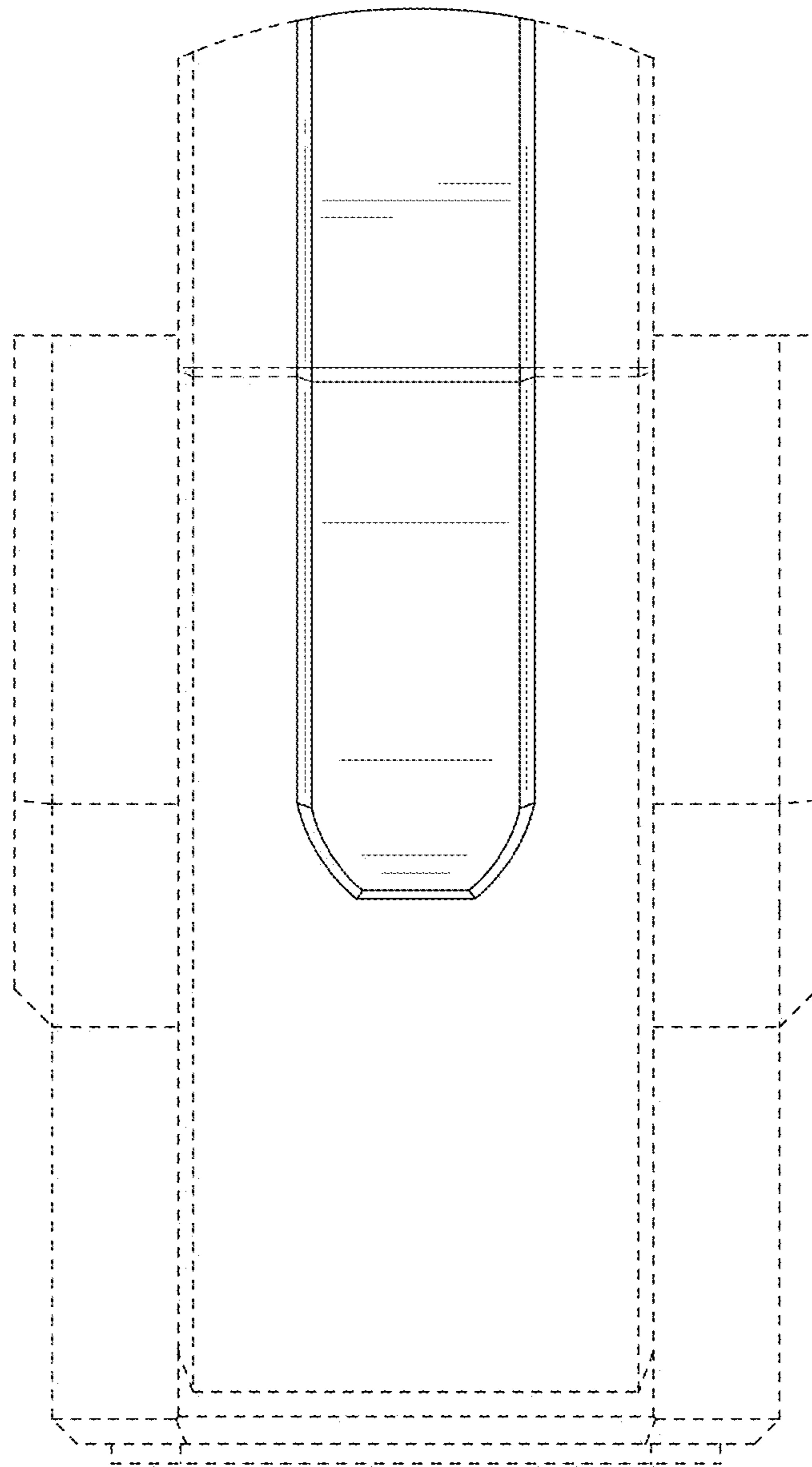


FIG. 5