



US00D757823S

(12) **United States Design Patent**
Yee et al.

(10) **Patent No.:** **US D757,823 S**
(45) **Date of Patent:** **** May 31, 2016**

- (54) **AIR INTAKE**
- (71) Applicants: **Clinton Yee**, Corona, CA (US); **Steven Alex Jenkins**, Riverside, CA (US)
- (72) Inventors: **Clinton Yee**, Corona, CA (US); **Steven Alex Jenkins**, Riverside, CA (US)
- (73) Assignee: **Group-A Autosports, Inc.**, Norco, CA (US)
- (**) Term: **14 Years**
- (21) Appl. No.: **29/507,360**
- (22) Filed: **Oct. 27, 2014**
- (51) **LOC (10) Cl.** **15-01**
- (52) **U.S. Cl.**
USPC **D15/5**
- (58) **Field of Classification Search**
USPC D15/1-5; D12/400
CPC F02M 35/10131; F02M 35/10; F02M 35/10006; F02M 35/048; F02M 35/10019; F02M 35/10091; F02M 23/003; F02M 35/0201; F02M 35/10072; F02M 35/10124; F02M 35/10163; F02M 35/10347; B60K 13/02
See application file for complete search history.

- (56) **References Cited**
U.S. PATENT DOCUMENTS
D708,231 S * 7/2014 Niakan D15/5
2006/0006012 A1* 1/2006 Khouw B60K 13/02 180/68.3
2008/0210188 A1* 9/2008 Koss F02M 35/1244 123/184.21

- 2010/0229817 A1* 9/2010 Hirai F02M 35/10131 123/184.21
- 2012/0298434 A1* 11/2012 Khouw B60K 13/02 180/68.3
- 2014/0048346 A1* 2/2014 Ricketts A01D 41/1208 180/68.1
- 2015/0233328 A1* 8/2015 Ghorpade F02M 35/086 415/121.2
- 2015/0233329 A1* 8/2015 Morey F02M 35/10242 123/184.53
- 2015/0343880 A1* 12/2015 Capellmann B60H 1/00514 137/351

* cited by examiner

Primary Examiner — T. Chase Nelson
Assistant Examiner — Ania Aman

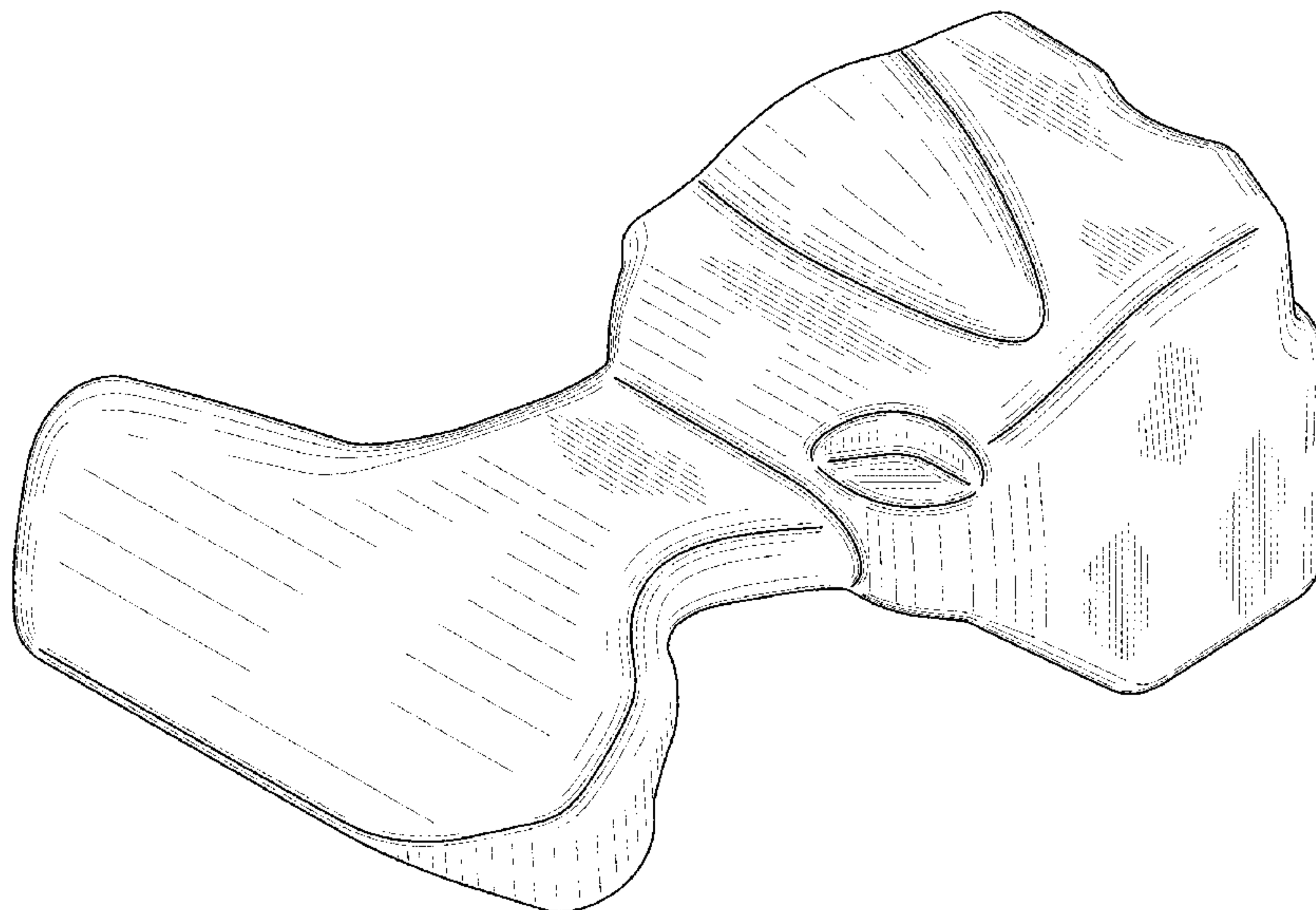
(74) *Attorney, Agent, or Firm* — Steven N. Fox, Esq.

(57) **CLAIM**
The ornamental design for an air intake, as shown and described.

DESCRIPTION

FIG. 1 is a front perspective view of an air intake according to the present invention;
FIG. 2 is a rear perspective view of the air intake according to the present invention;
FIG. 3 is a front view thereof;
FIG. 4 is a rear view thereof;
FIG. 5 is a top view thereof;
FIG. 6 is a bottom view thereof;
FIG. 7 is a left side view thereof; and,
FIG. 8 is a right side view thereof.
The broken lines shown in the drawings are for the purpose of illustrating portions of the article that form no part of the claimed design.

1 Claim, 6 Drawing Sheets



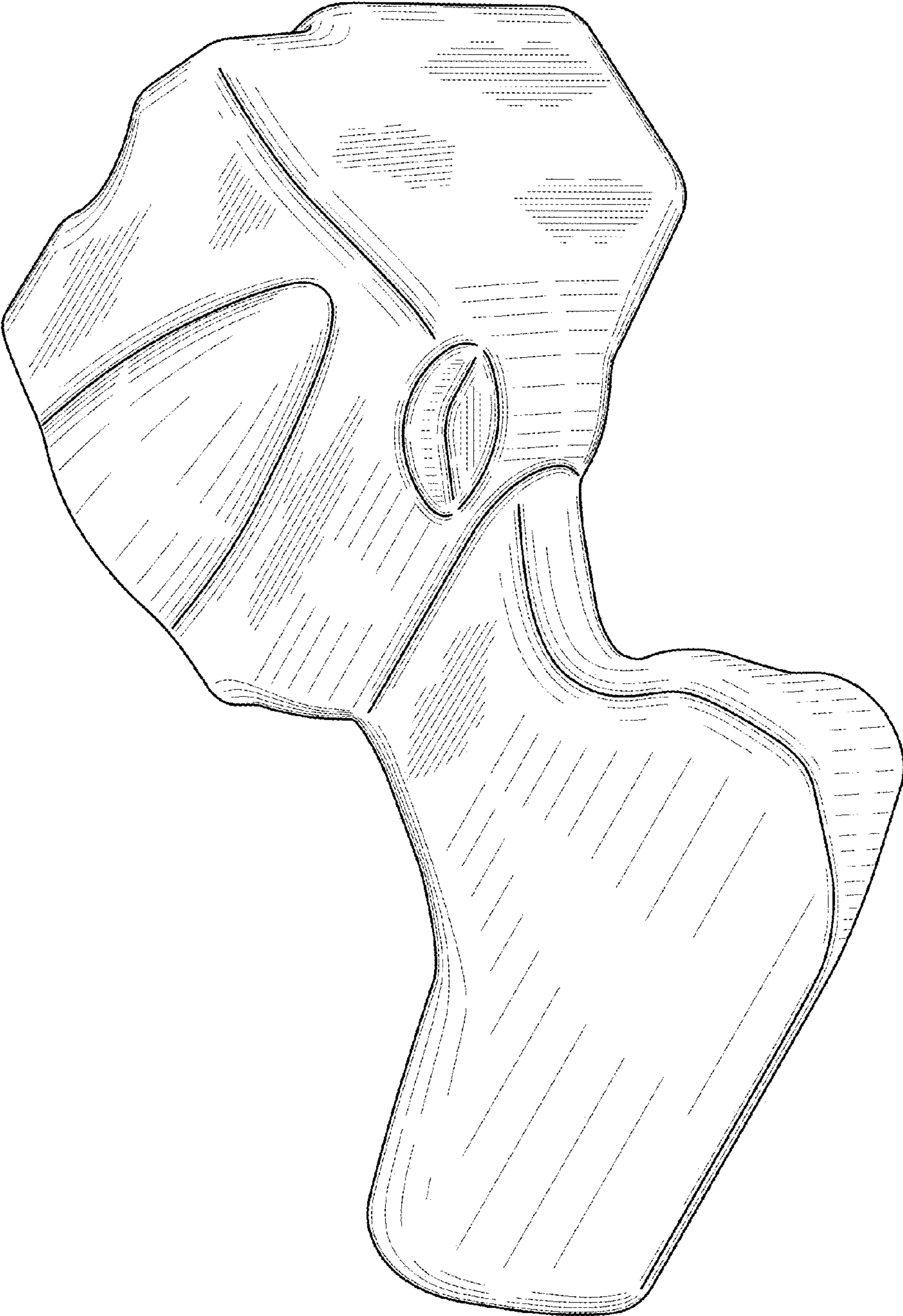


FIG. 1

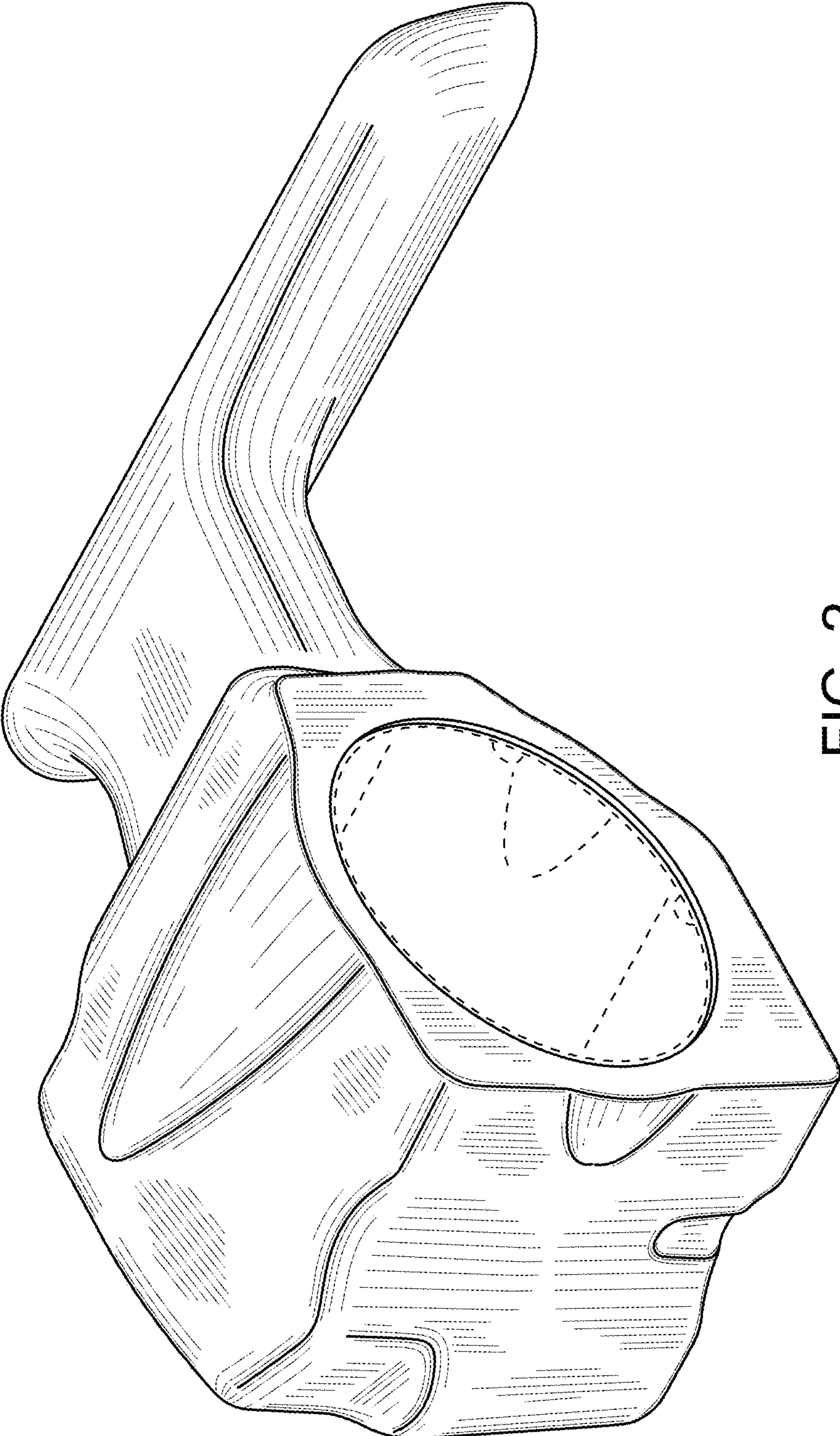


FIG. 2

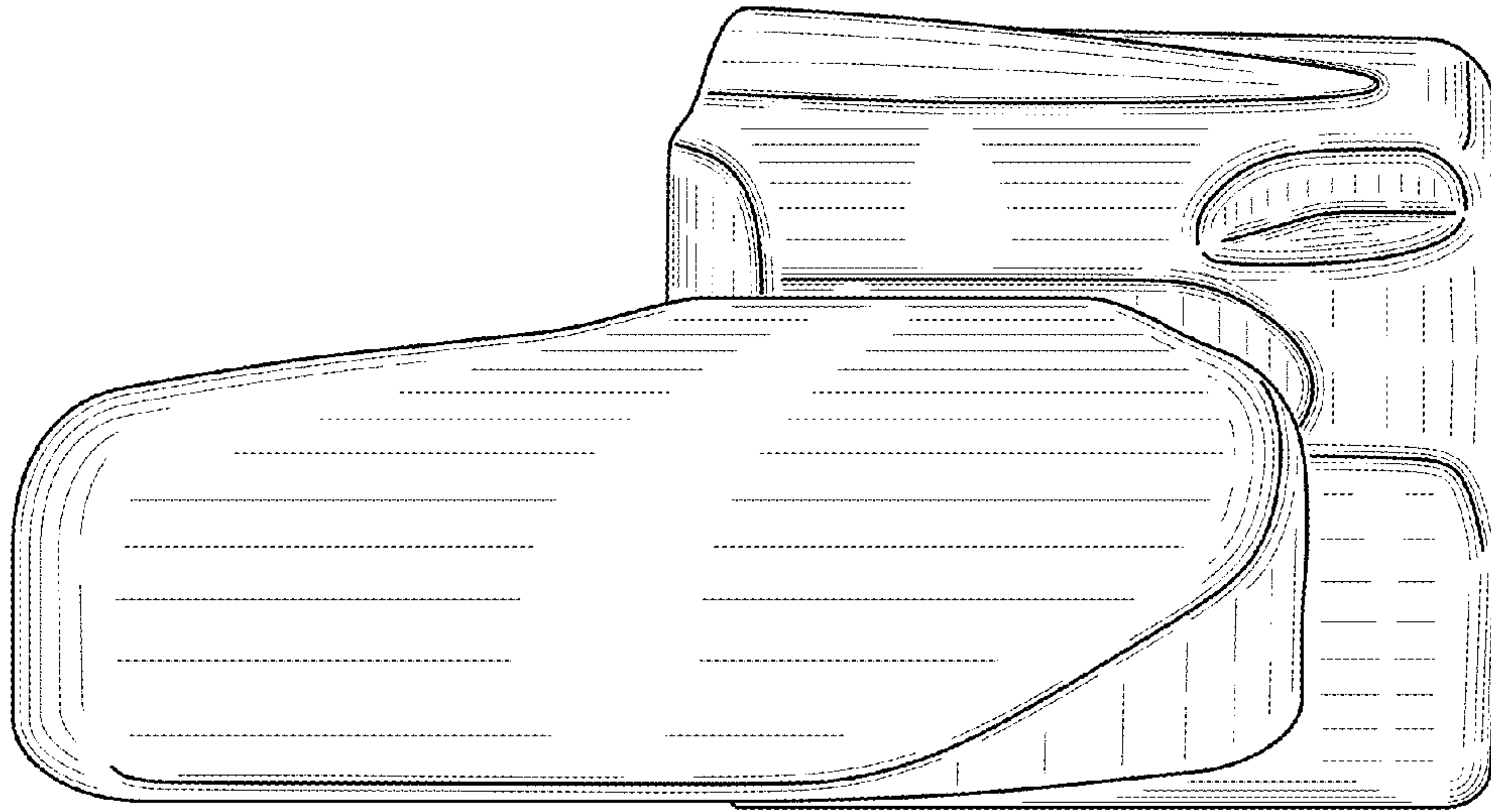


FIG. 3

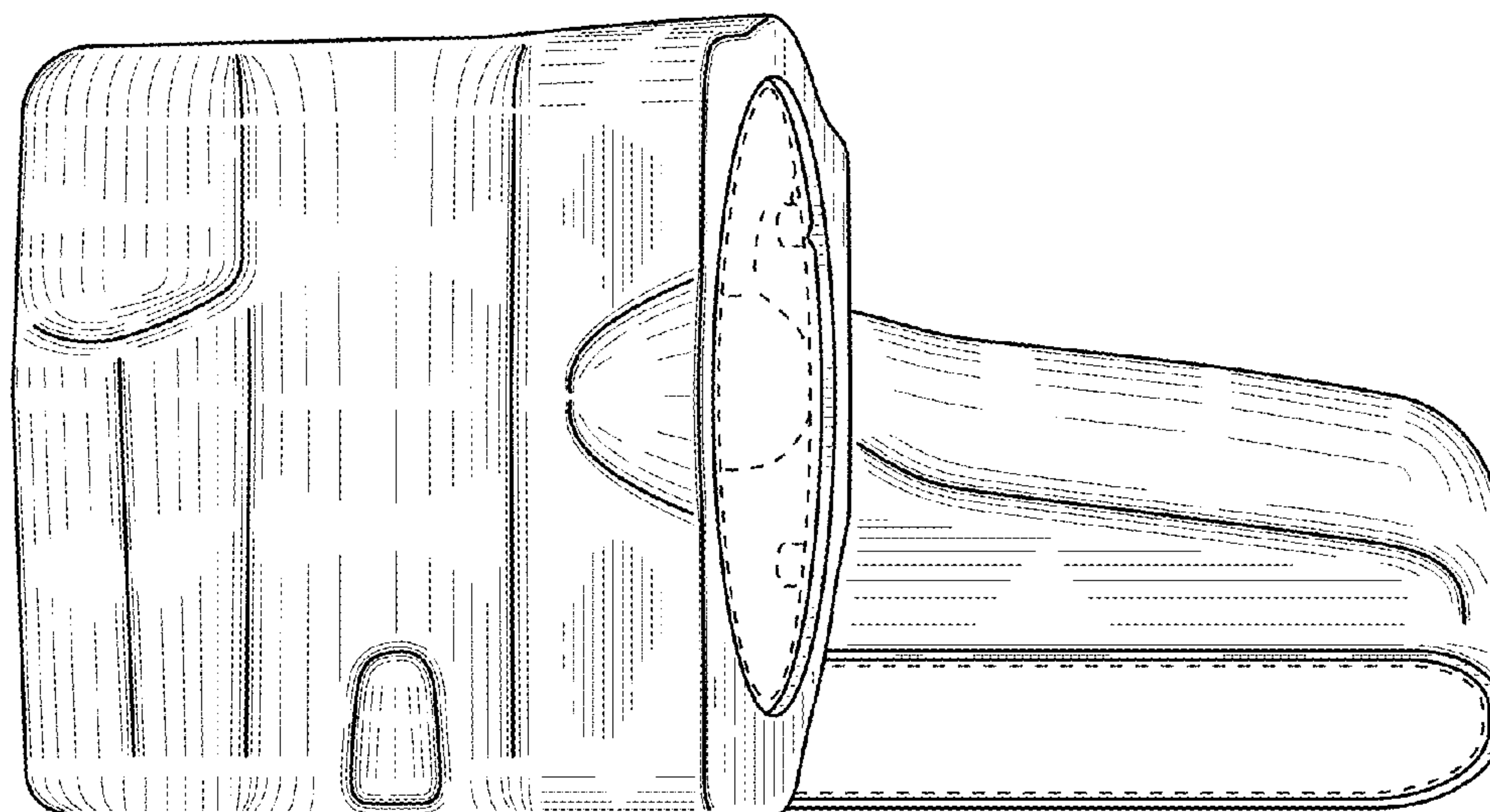


FIG. 4



FIG. 5

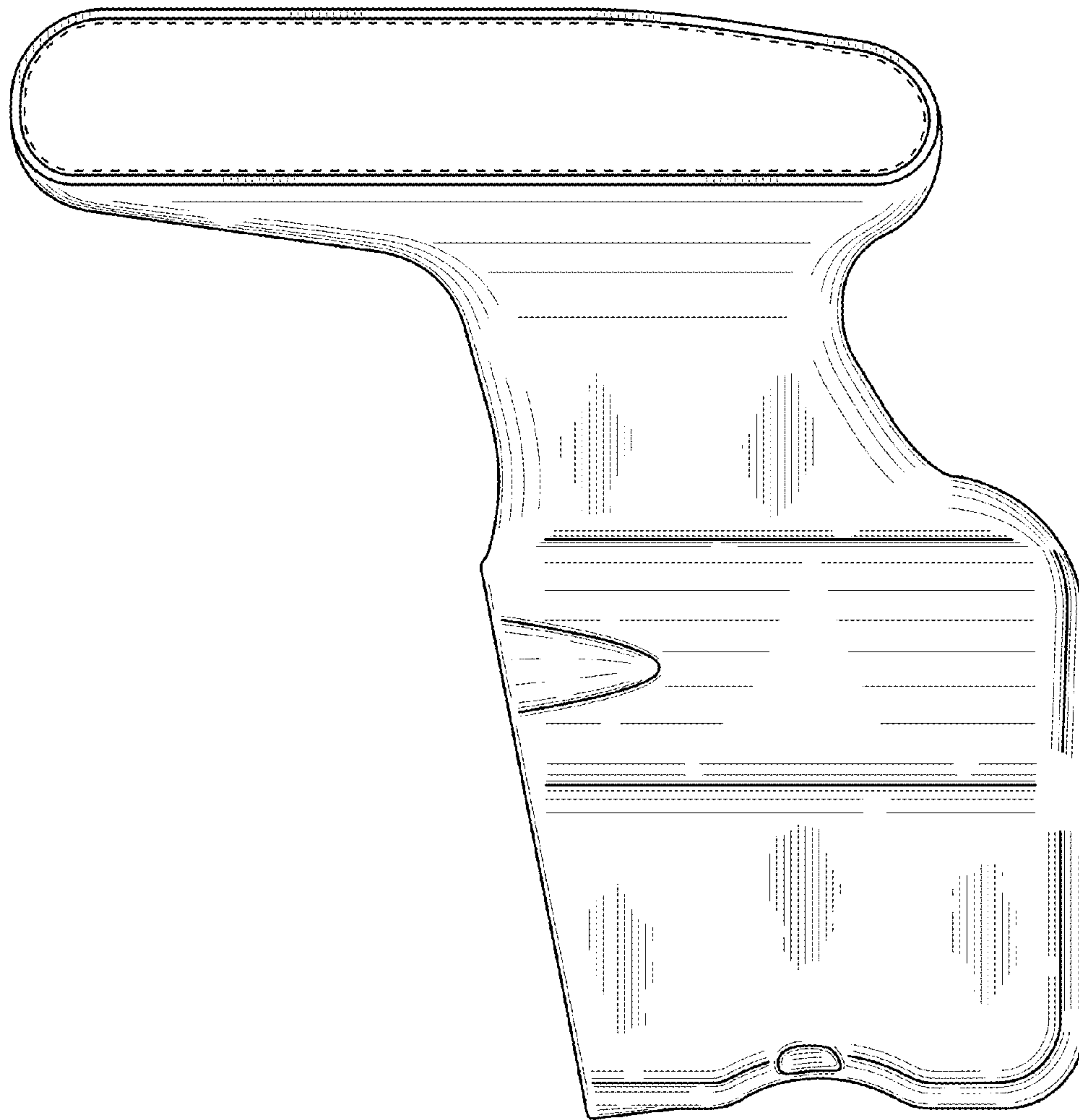


FIG. 6

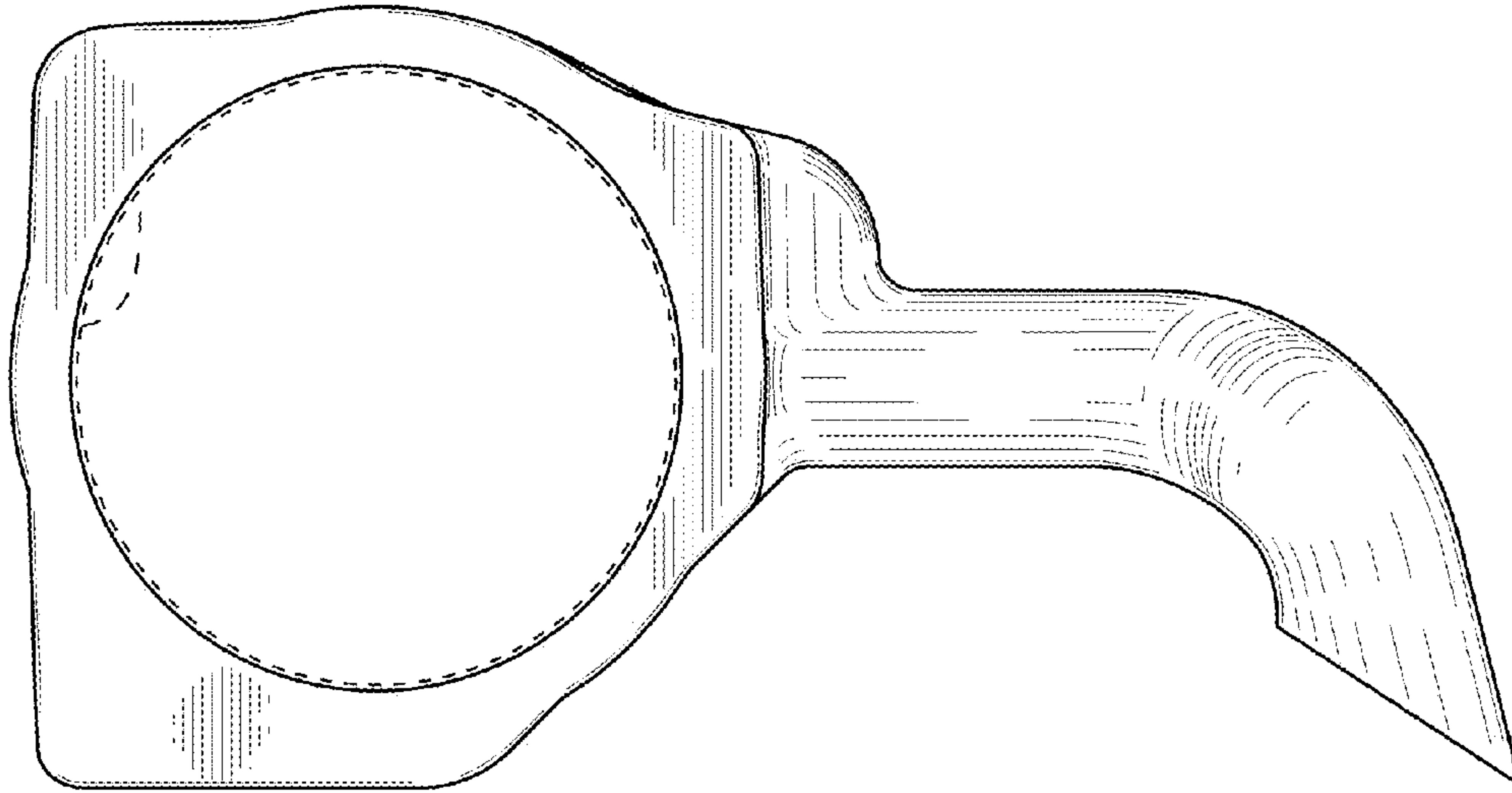


FIG. 7

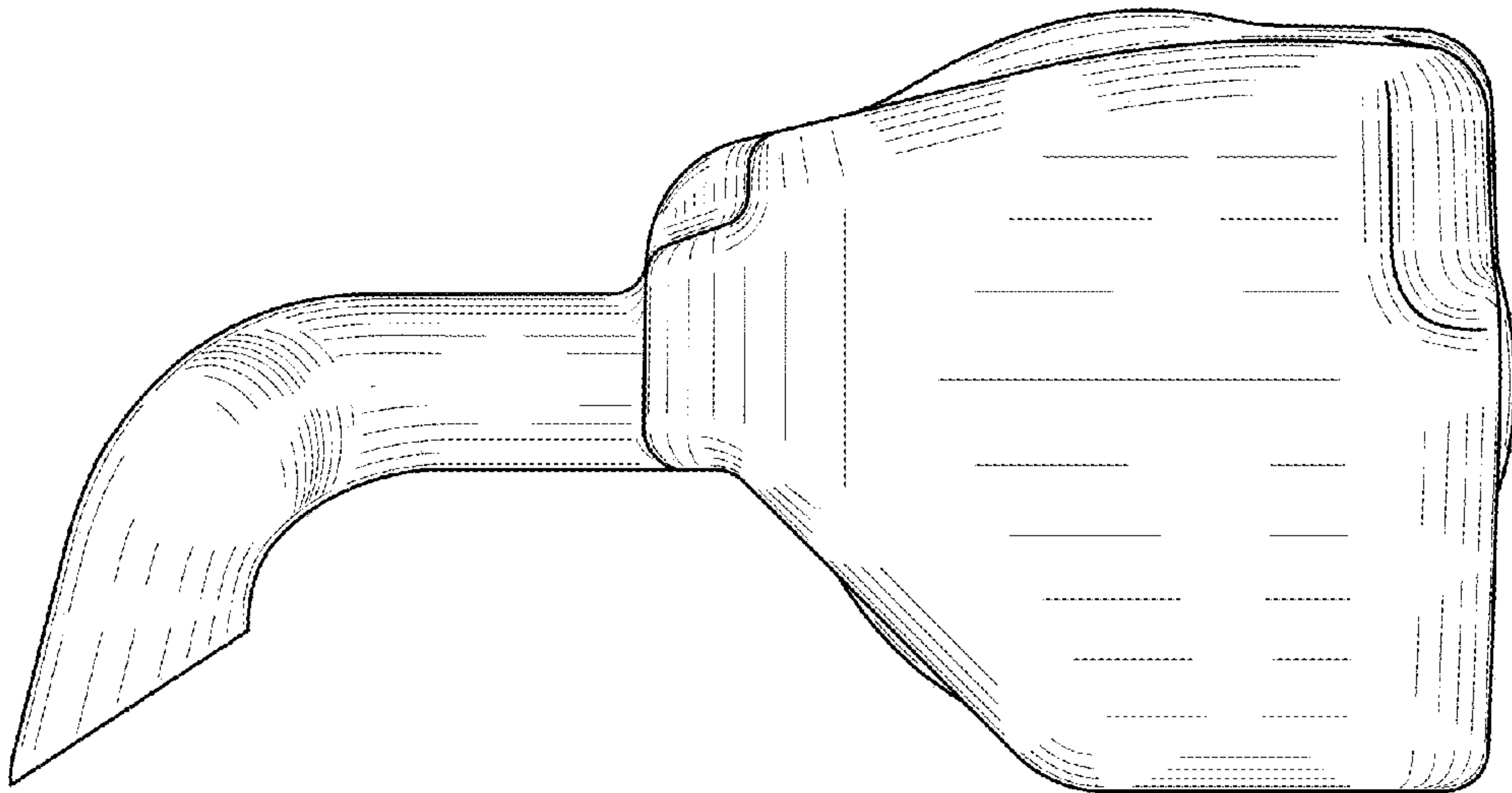


FIG. 8