



US00D757822S

(12) **United States Design Patent**
Bowyer et al.

(10) **Patent No.:** **US D757,822 S**
(45) **Date of Patent:** **** May 31, 2016**

- (54) **BRAKE SENSOR HOLDER**
- (71) Applicant: **SAF-HOLLAND, Inc.**, Holland, MI (US)
- (72) Inventors: **John Bowyer**, Whitehall, MI (US);
Edward Hammer, Muskegon, MI (US)
- (73) Assignee: **SAF-HOLLAND, Inc.**, Holland, MI (US)
- (**) Term: **14 Years**
- (21) Appl. No.: **29/493,042**
- (22) Filed: **Jun. 5, 2014**
- (51) **LOC (10) Cl.** **15-01**
- (52) **U.S. Cl.**
USPC **D15/5**
- (58) **Field of Classification Search**
USPC D15/1-5; 303/121; 188/181 R; D8/354,
D8/356, 371, 394-396
CPC G01P 3/443; G01P 1/026; B60T 8/329
See application file for complete search history.

- (56) **References Cited**
U.S. PATENT DOCUMENTS
D21,613 S * 6/1892 Hill D15/143
3,751,652 A * 8/1973 Peterson G03B 15/05
362/276
4,854,548 A * 8/1989 Wylie E04F 11/181
256/59
D319,966 S * 9/1991 Ellison D8/382
D369,782 S * 5/1996 Hashizawa D13/146
D409,580 S * 5/1999 Belinky D13/184
D415,117 S * 10/1999 Belinky D12/162
6,238,015 B1 * 5/2001 Garcia B60T 8/171
188/181 R
6,286,638 B1 * 9/2001 Rowan B60T 8/171
188/181 A
6,523,425 B1 * 2/2003 Kubik B60T 8/171
73/493
D471,078 S * 3/2003 Chen D8/349
6,929,332 B2 * 8/2005 Naslund B60T 8/171
248/74.1
7,253,545 B2 * 8/2007 Colgrove B07B 1/46
209/634

- 7,559,521 B2 * 7/2009 White B23P 15/00
188/181 A
D691,032 S * 10/2013 Chen D8/396
D738,191 S * 9/2015 Nas D8/349
2002/0175258 A1 * 11/2002 White B23P 15/00
248/314
2010/0271008 A1 * 10/2010 Su G01P 1/026
324/173

OTHER PUBLICATIONS
SAF-Holland, Inc.; Axle Body Assembly, 5.75"—Tapered; Drawing; Apr. 22, 2014.
SAF-Holland, Inc.; Block, ABS Sensor—5.75"; Drawing; May 10, 2011.
SAF-Holland, Inc.; Bracket Assembly, ABS Sensor; Drawing; Aug. 23, 2010.
SAF-Holland, Inc.; ABS Sensor Bracket; Proposed View Drawing. SAF; Classification of Excited Ring Teeth; Information Sheet; Jan. 9, 2006.

(Continued)

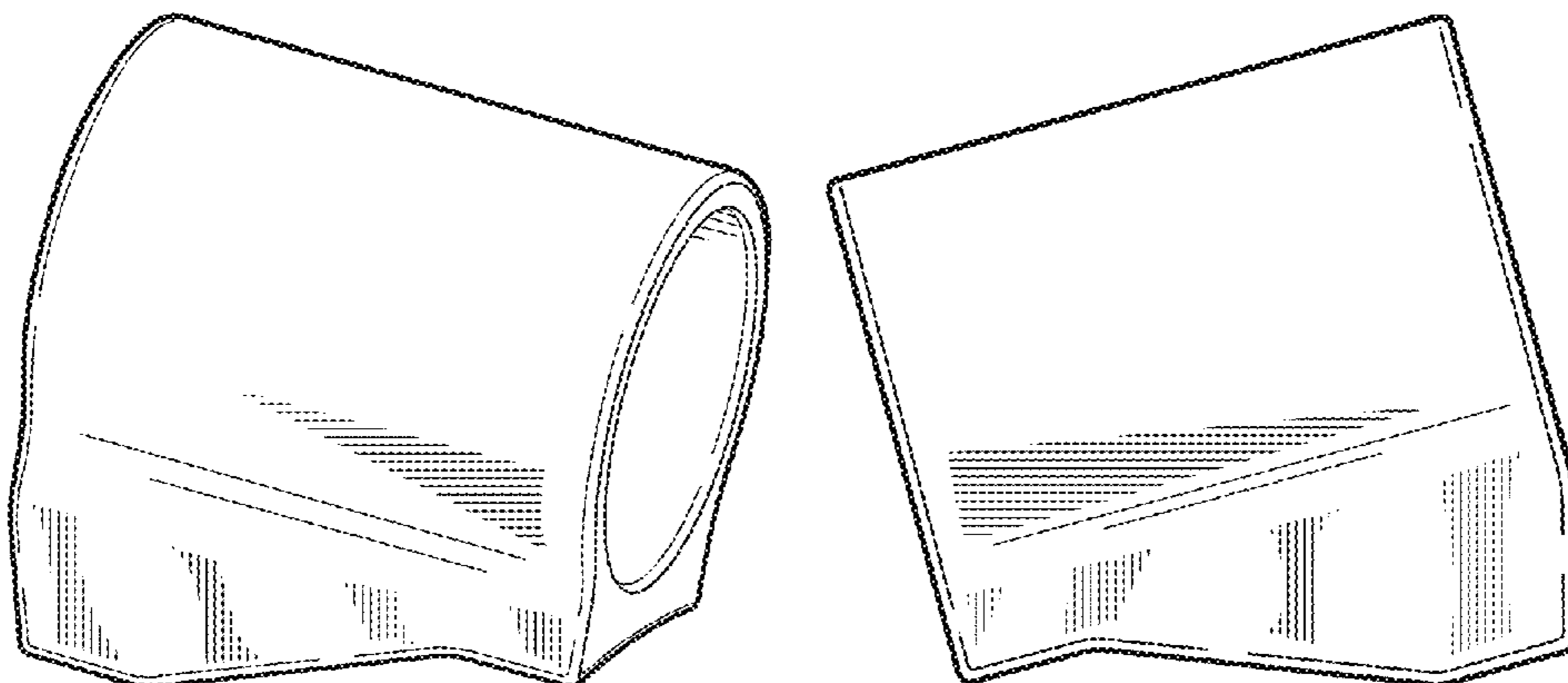
Primary Examiner — T. Chase Nelson
Assistant Examiner — Ania Aman
(74) *Attorney, Agent, or Firm* — Price Heneveld LLP

(57) **CLAIM**
We claim the ornamental design for a brake sensor holder, as shown.

DESCRIPTION

FIG. 1 is a perspective view of a brake sensor holder embodying the present invention;
FIG. 2 is a rear view of the brake sensor holder embodying the present invention;
FIG. 3 is a first side view of the brake sensor holder embodying the present invention;
FIG. 4 is a front view of the brake sensor holder embodying the present invention;
FIG. 5 is a second side view of the brake sensor holder embodying the present invention;
FIG. 6 is a top view of the brake sensor holder embodying the present invention; and,
FIG. 7 is a bottom view of the brake sensor holder embodying the present invention.

1 Claim, 2 Drawing Sheets



(56)

References Cited

OTHER PUBLICATIONS

Machined or powdered metal ABS Bracket (not angled); Computer Image.

Construction of ABS bracket made from plastic; Computer Image. SAF-Holland, Inc.; Block, ABS Sensor; Drawing; Oct. 1, 2012.
SAF-Holland, Inc., Block, ABS Sensor; Drawing; Jul. 8, 2013.

* cited by examiner

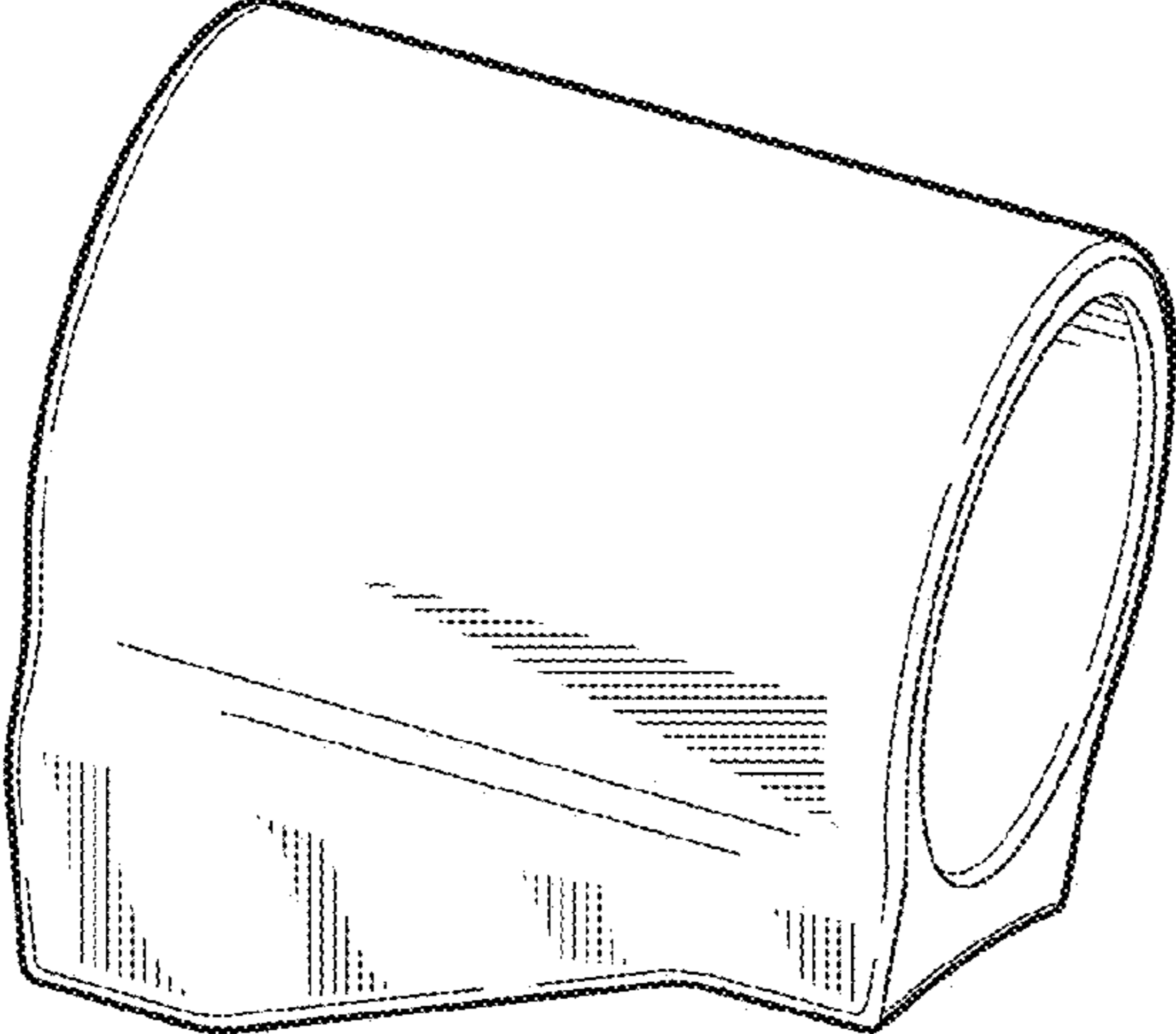


FIG. 1

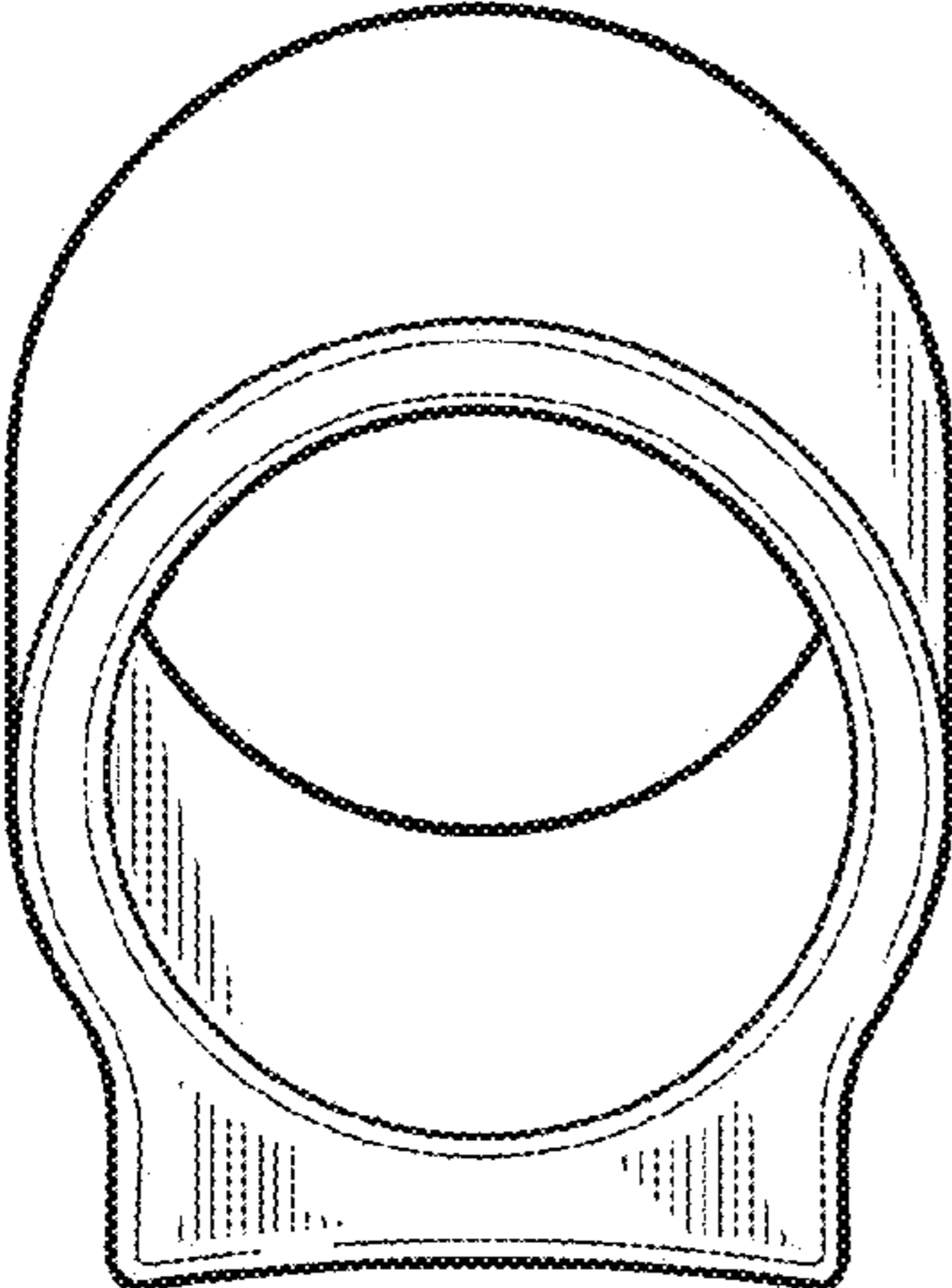


FIG. 2

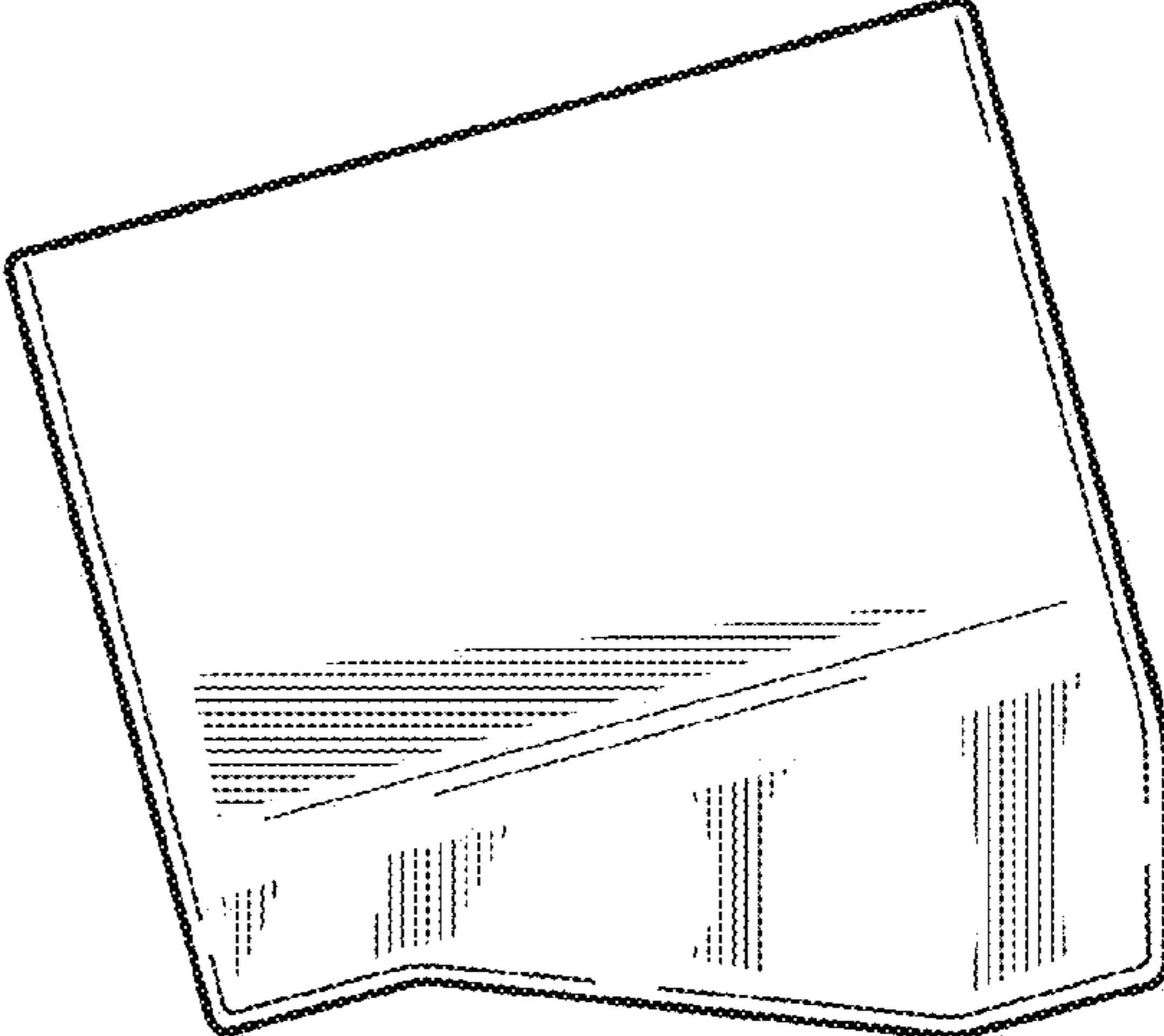


FIG. 3

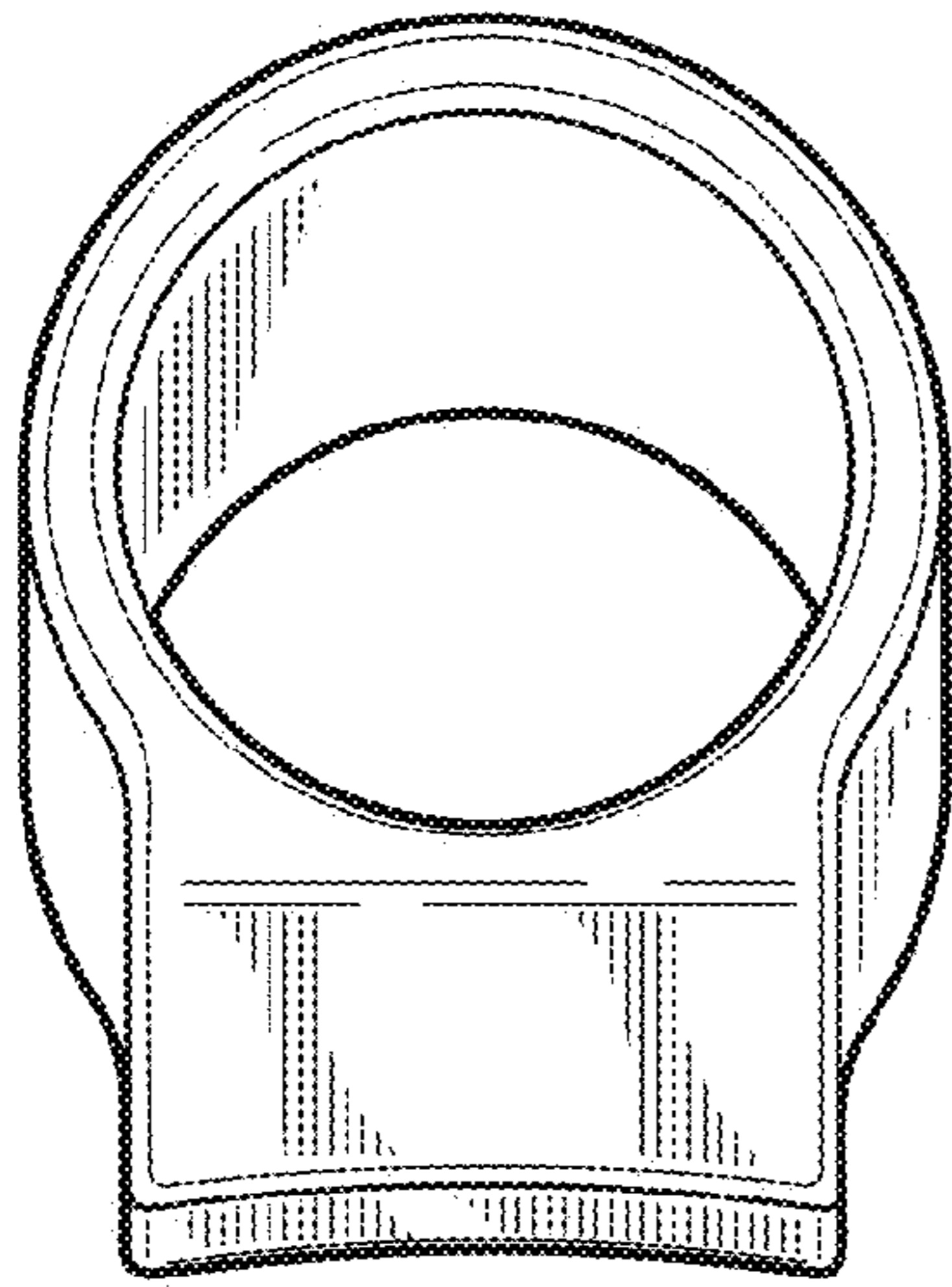


FIG. 4

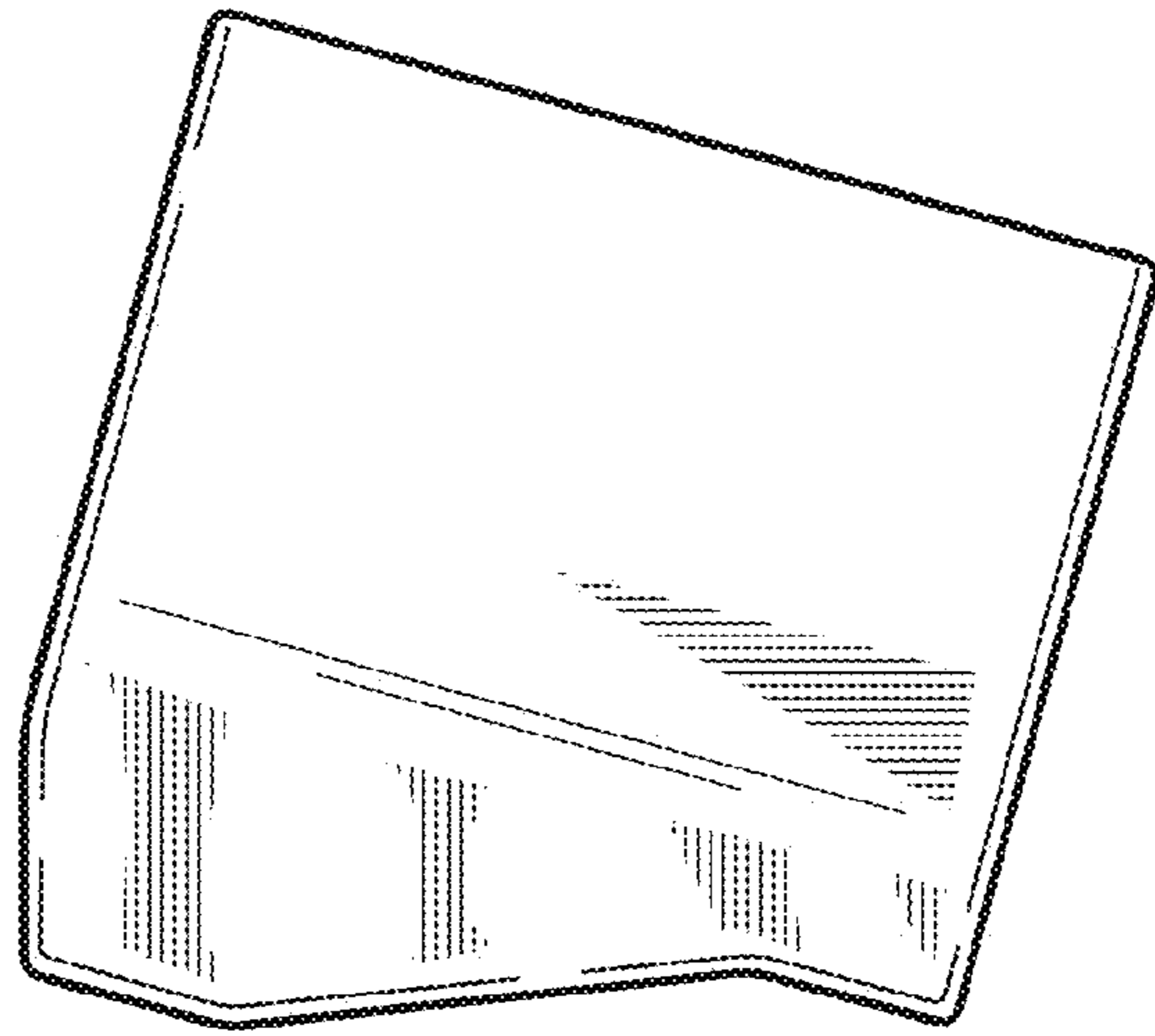


FIG. 5

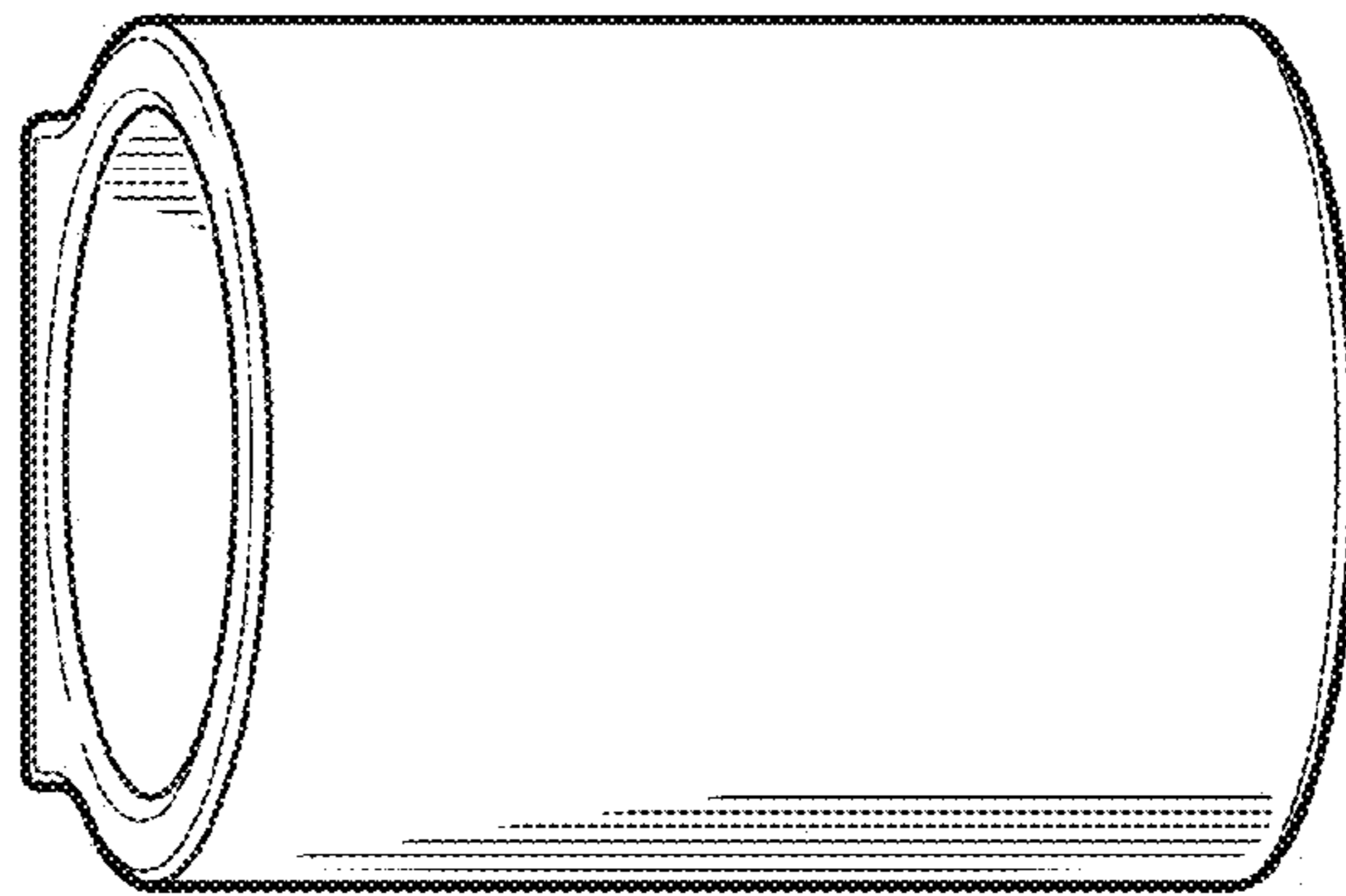


FIG. 6

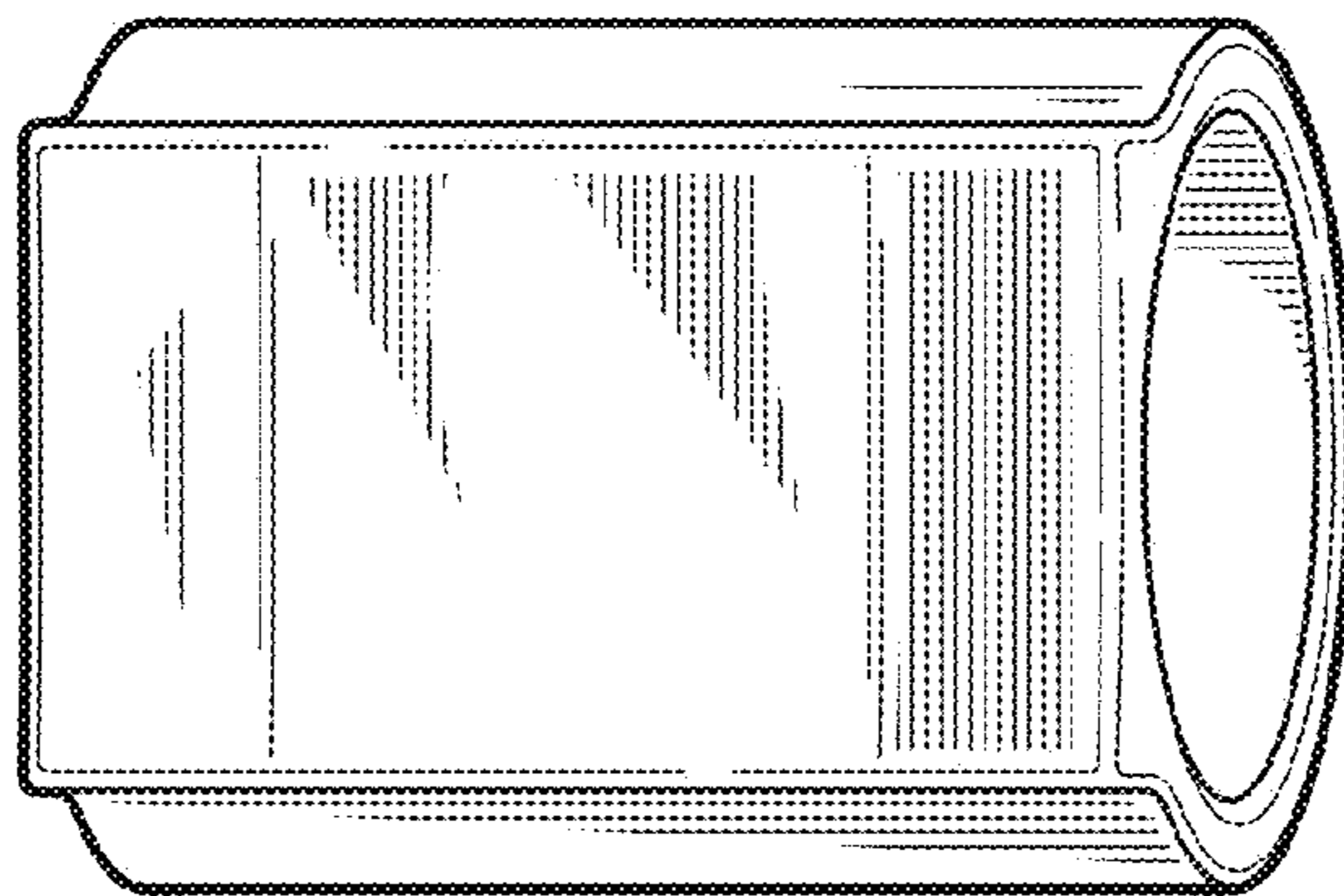


FIG. 7