



US00D757821S

(12) **United States Design Patent**  
**Leopardi et al.**

(10) **Patent No.:** **US D757,821 S**

(45) **Date of Patent:** **\*\* May 31, 2016**

(54) **MOBILE DEVICE**

(71) Applicant: **NINJAWAV, LLC**, Fort Lauderdale, FL (US)

(72) Inventors: **Emmett Jay Leopardi**, Wilton Manors, FL (US); **Walter Riley Thurmond, III**, Maple Valley, WA (US); **Carl R. Harte**, Tamarac, FL (US)

(73) Assignee: **NINJAWAV, LLC**, Fort Lauderdale, FL (US)

(\*\*) Term: **14 Years**

(21) Appl. No.: **29/525,606**

(22) Filed: **Apr. 30, 2015**

(51) **LOC (10) Cl.** ..... **14-03**

(52) **U.S. Cl.**  
USPC ..... **D14/496**; D14/203.3; D14/341

(58) **Field of Classification Search**  
USPC ..... D14/496, 203–203.7, 138 AB, 138 AD, D14/341–346, 143, 218, 138 R, 339, 340, D14/316; 345/156, 169, 173–179, 905; 715/700; 710/1, 5, 8; 713/1, 600; 455/11, 1.7, 73, 344–347, 93, 95, 455/575.1, 556.2, 573.3, 566; 370/342–344; 369/1, 2, 6, 12; 463/43–47; 379/433.01, 433.04, 379/433.12, 433.13; 361/679.01, 679.56  
CPC ..... G06F 1/16; G06F 3/00; G06F 3/14; H04B 1/38; H05K 7/00; H04K 7/16; H04K 7/20; H04M 1/0212; H04M 1/021; H04M 1/022; H04M 2250/16

See application file for complete search history.

(56) **References Cited**

U.S. PATENT DOCUMENTS

5,678,229	A *	10/1997	Seki	.....	H04B 1/38 375/222
D409,203	S *	5/1999	Morimiya	.....	D14/230
5,914,229	A *	6/1999	Loewy	.....	C12Q 1/6865 435/6.12
D507,261	S *	7/2005	Griffin	.....	D14/226
D515,545	S *	2/2006	Griffin	.....	D14/155
D558,790	S *	1/2008	Yu	.....	D14/496
D560,227	S *	1/2008	Bennett	.....	D14/496
D563,433	S *	3/2008	Yu	.....	D14/496
D564,520	S *	3/2008	Baseflug	.....	D14/433
D574,365	S *	8/2008	Andre	.....	D14/217
D601,583	S *	10/2009	Andre	.....	D14/496
D702,732	S *	4/2014	Wu	.....	D14/203.5
D727,360	S *	4/2015	Peng	.....	D14/203.1

\* cited by examiner

*Primary Examiner* — Prabhakar Deshmukh

(74) *Attorney, Agent, or Firm* — The Concept Law Group, P.A.; Scott D. Smiley; Yongae Jun

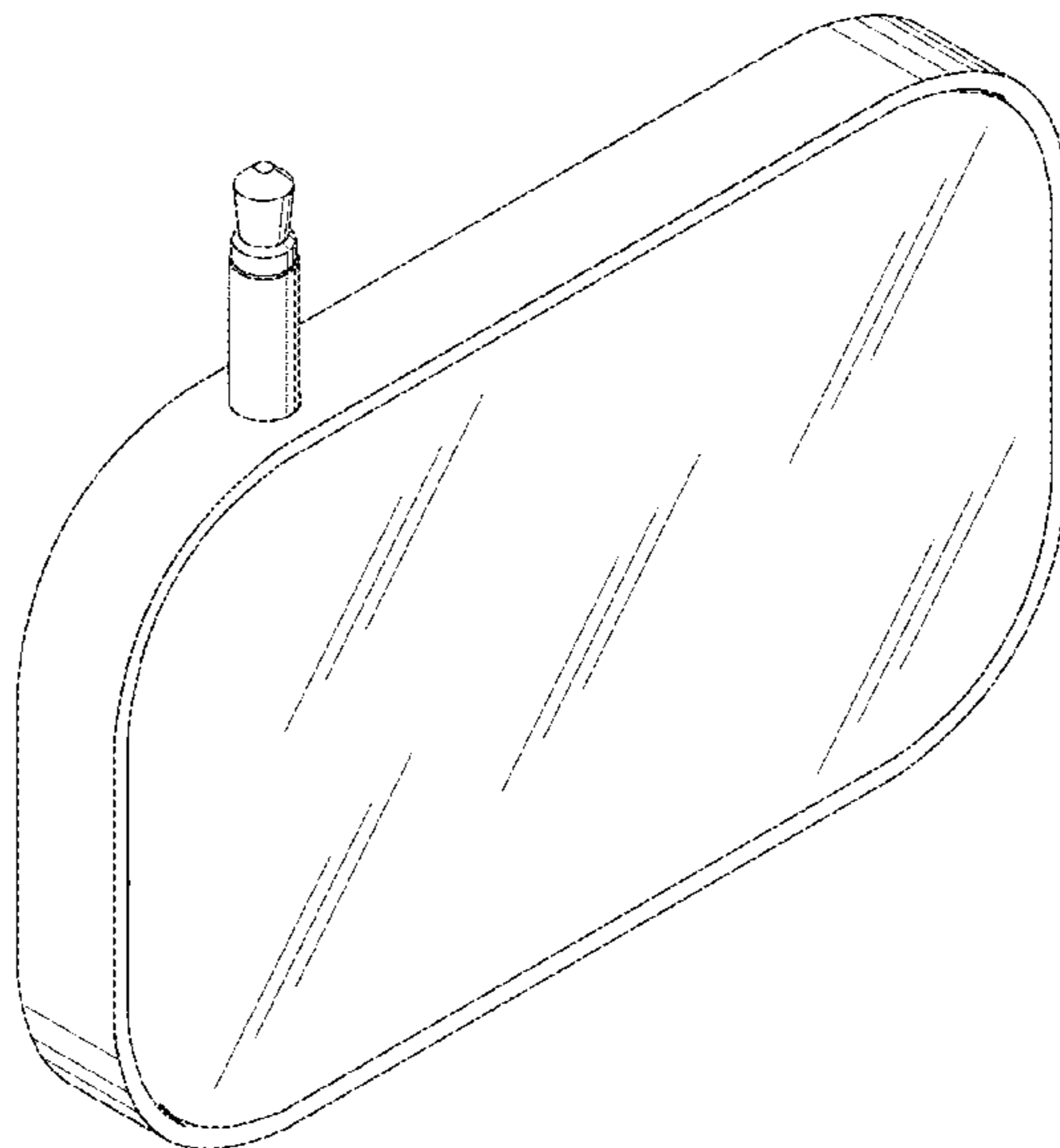
(57) **CLAIM**

The ornamental design for a mobile device, as shown and described.

**DESCRIPTION**

FIG. 1 is a top, front and left perspective view of a mobile device showing our new design;  
FIG. 2 is a bottom, rear and right perspective view thereof;  
FIG. 3 is a front elevational view thereof;  
FIG. 4 is a rear elevational view thereof;  
FIG. 5 is a right side elevational view thereof;  
FIG. 6 is a left side elevational view thereof;  
FIG. 7 is a top plan view thereof; and,  
FIG. 8 is a bottom plan view thereof.

**1 Claim, 5 Drawing Sheets**



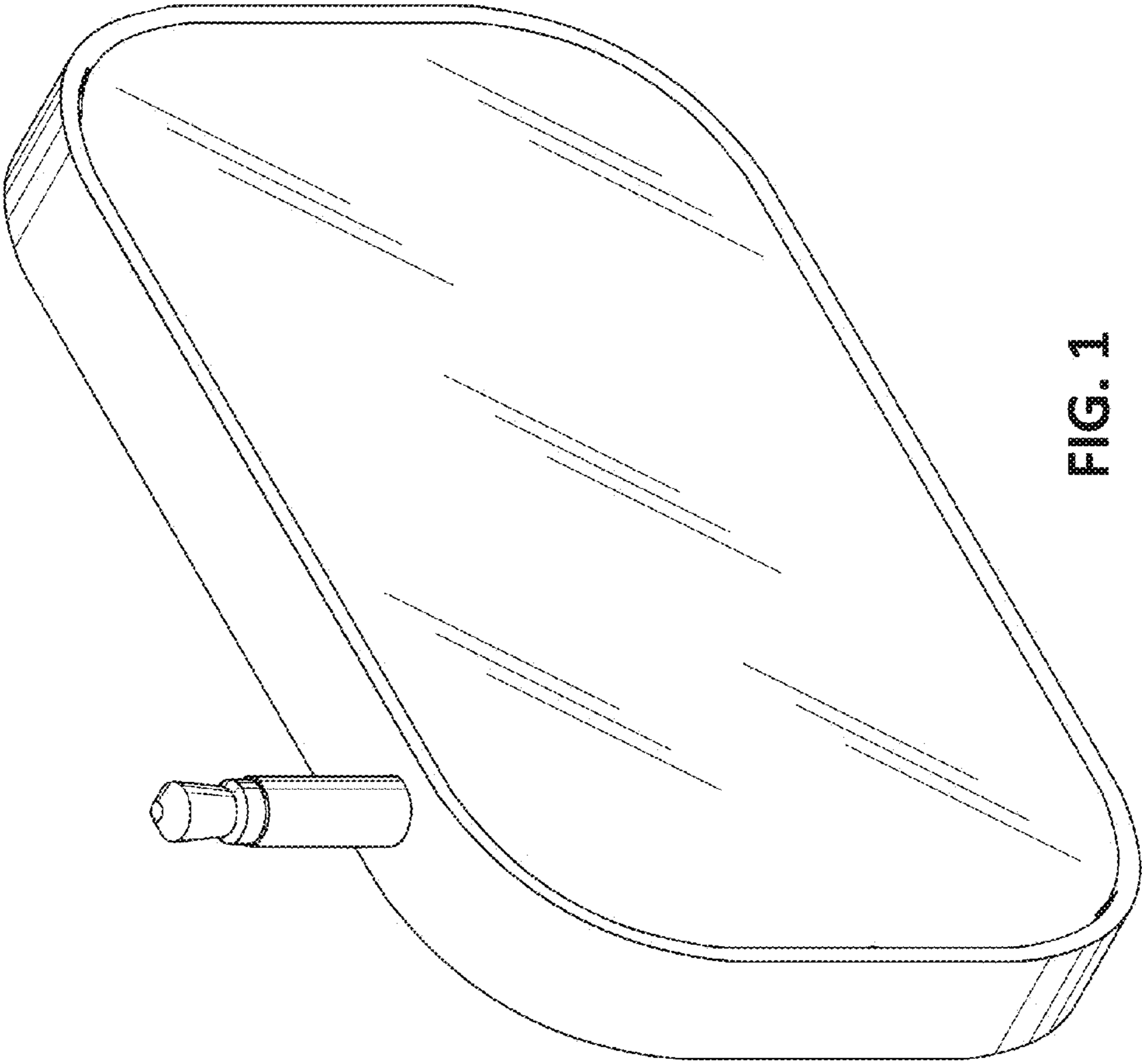


FIG. 1

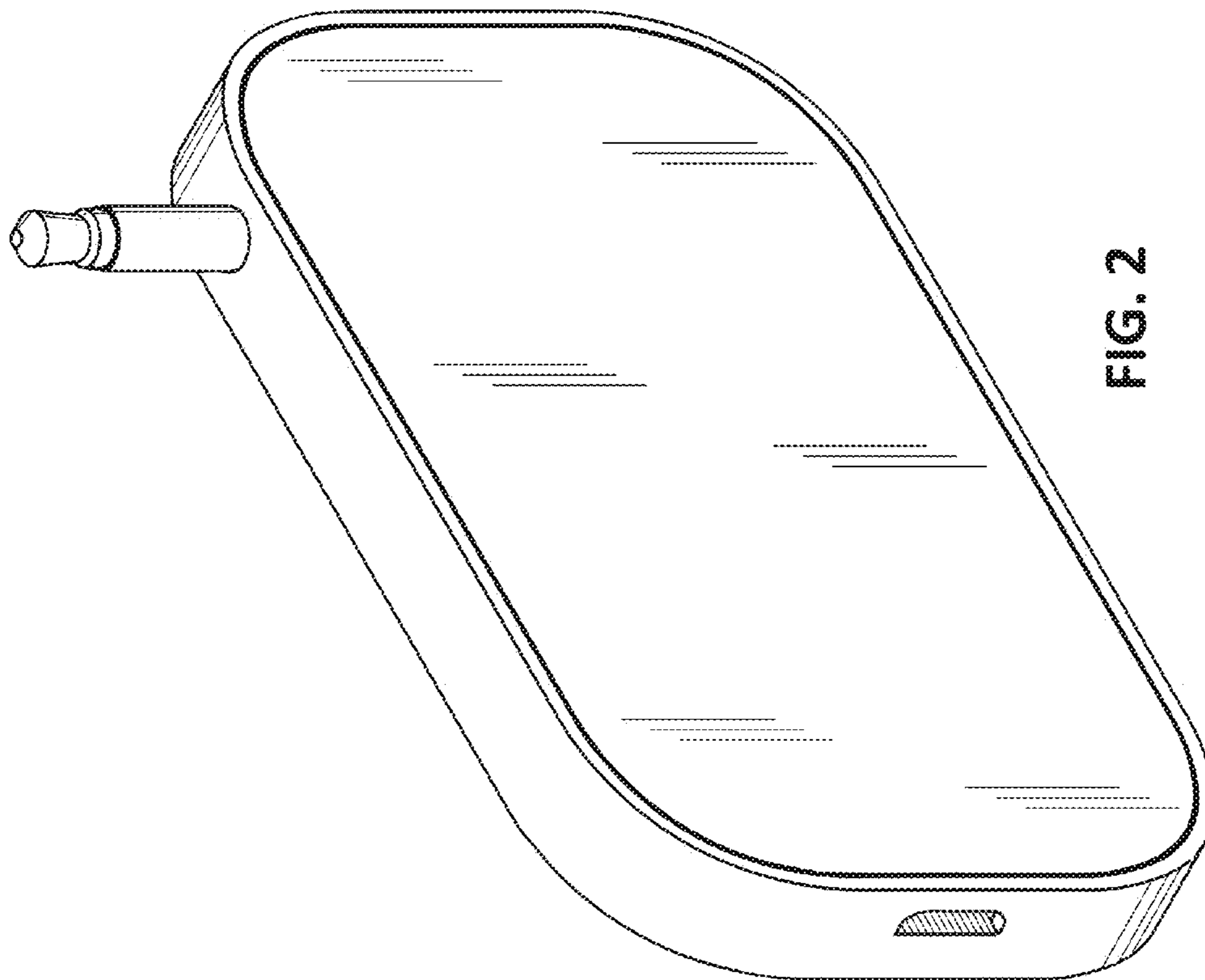


FIG. 2

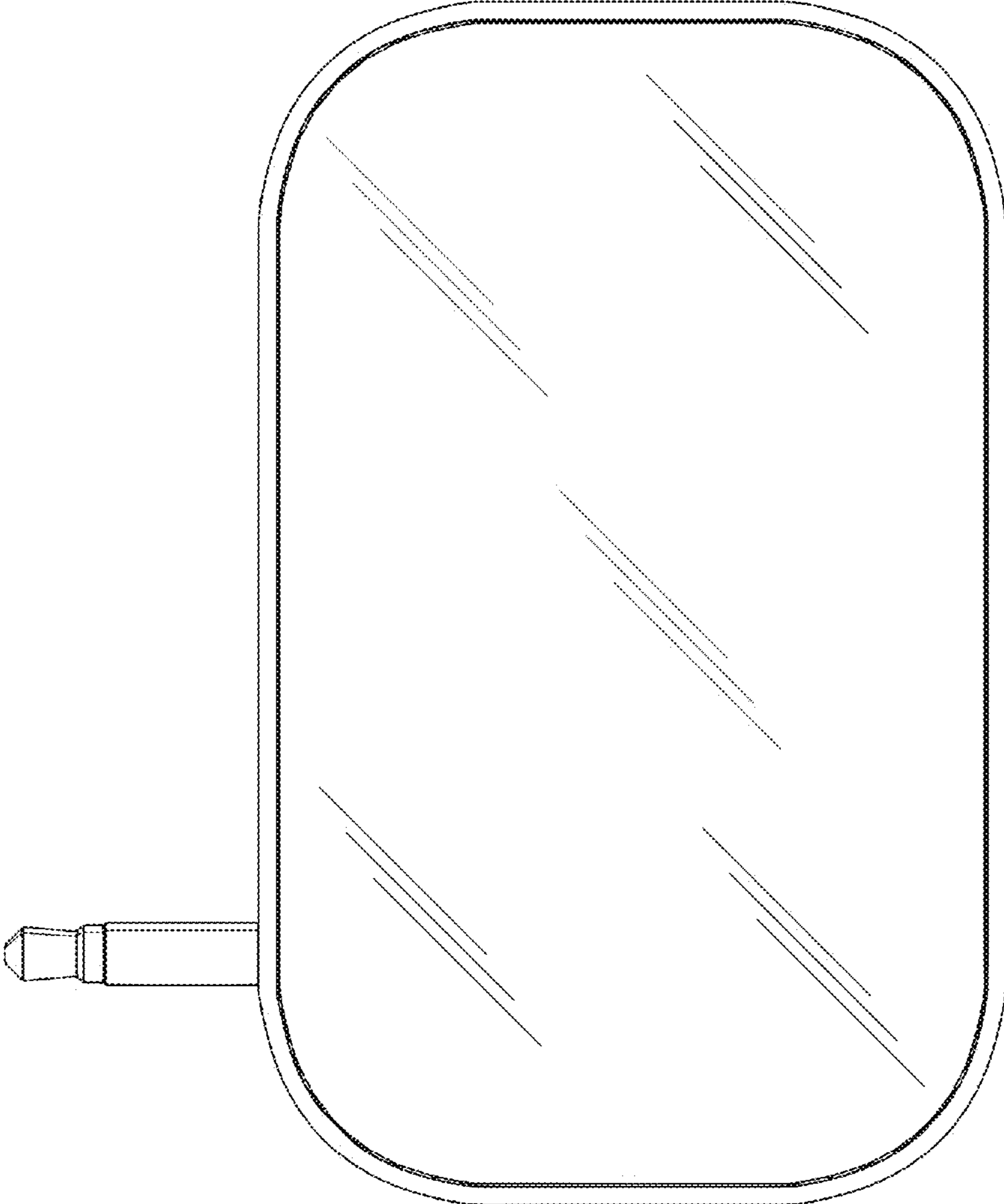


FIG. 3

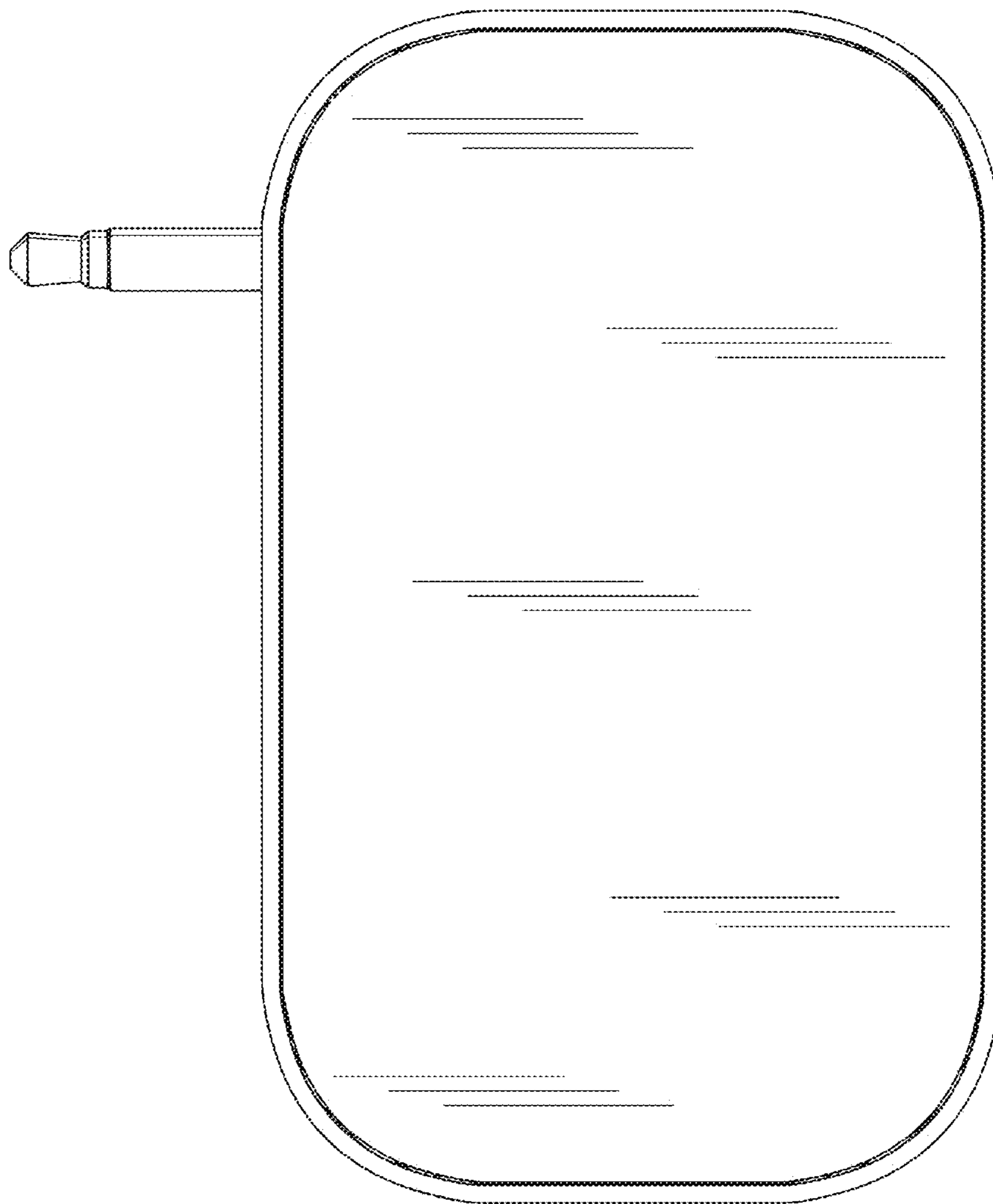


FIG. 4

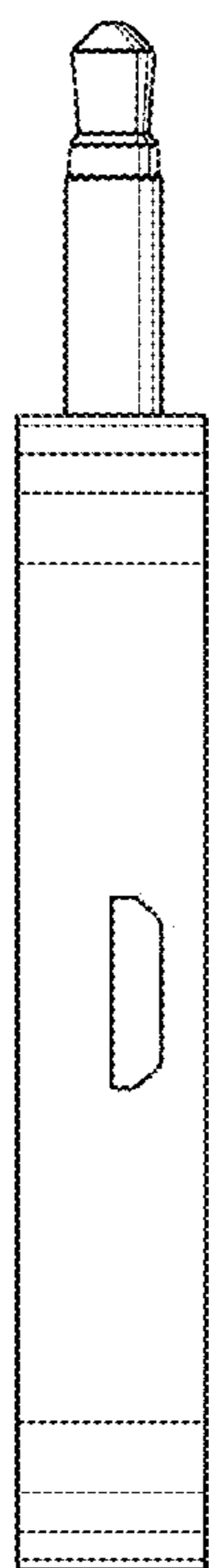


FIG. 5

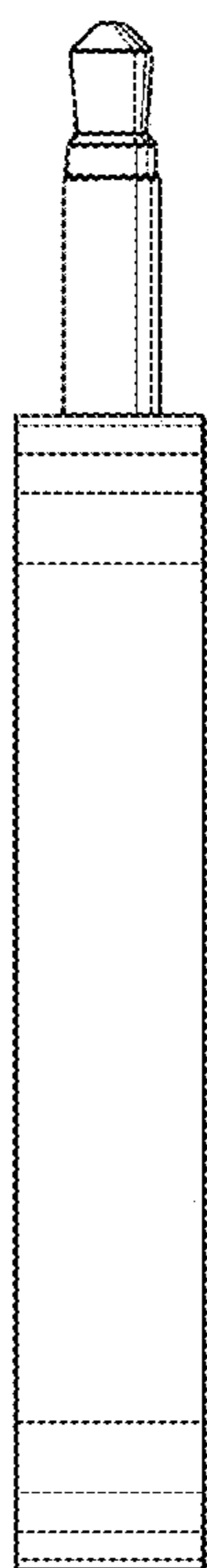


FIG. 6



FIG. 7

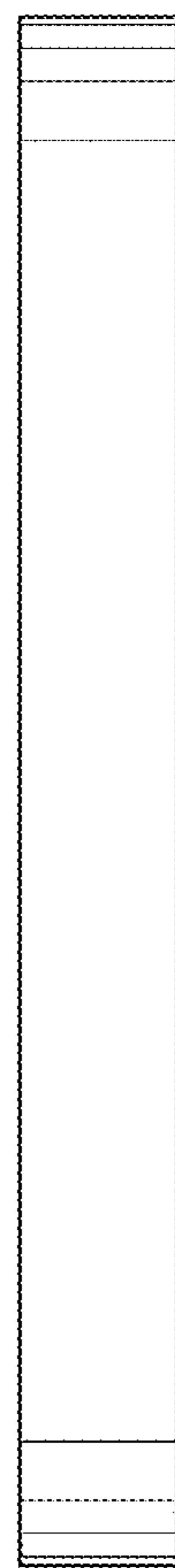


FIG. 8