

US00D757817S

(12) **United States Design Patent**
Pan

(10) **Patent No.:** **US D757,817 S**

(45) **Date of Patent:** **** May 31, 2016**

(54) **ANIMATED GRAPHICAL USER INTERFACE
FOR A PORTION OF A DISPLAY SCREEN**

D722,077 S * 2/2015 Zhang D14/486
D725,670 S * 3/2015 Zhang D14/488
D729,271 S * 5/2015 Zhang D14/488

(Continued)

(71) Applicant: **Tencent Technology (Shenzhen)
Company Limited**, Shenzhen,
Guangdong (CN)

Primary Examiner — Richard E Chilcot
(74) *Attorney, Agent, or Firm* — Design IP

(72) Inventor: **Weibin Pan**, Guangdong (CN)

(57) **CLAIM**
The ornamental design for an animated graphical user inter-
face for a portion of a display screen, as shown and described.

(73) Assignee: **Tencent Technology (Shenzhen)
Company Limited** (CN)

DESCRIPTION

(**) Term: **14 Years**

FIG. 1 is a front view of a first image of a first embodiment of
an animated graphical user interface for a portion of a display
screen showing my new design;
FIG. 2 is a front view of a second image thereof;
FIG. 3 is a front view of a third image thereof;
FIG. 4 is a front view of a first image of a second embodiment
of an animated graphical user interface for a portion of a
display screen showing my new design;
FIG. 5 is a front view of a second image thereof;
FIG. 6 is a front view of a third image thereof;
FIG. 7 is a front view of a first image of a third embodiment
of an animated graphical user interface for a portion of a
display screen showing my new design;
FIG. 8 is a front view of a second image thereof; and,
FIG. 9 is a front view of a third image thereof.

(21) Appl. No.: **29/475,721**

(22) Filed: **Dec. 5, 2013**

(51) **LOC (10) Cl.** **14-04**

(52) **U.S. Cl.**
USPC **D14/494**
CPC **G06F 3/04817** (2013.01)

(58) **Field of Classification Search**
USPC D14/485–495; 715/700–867, 973–977
See application file for complete search history.

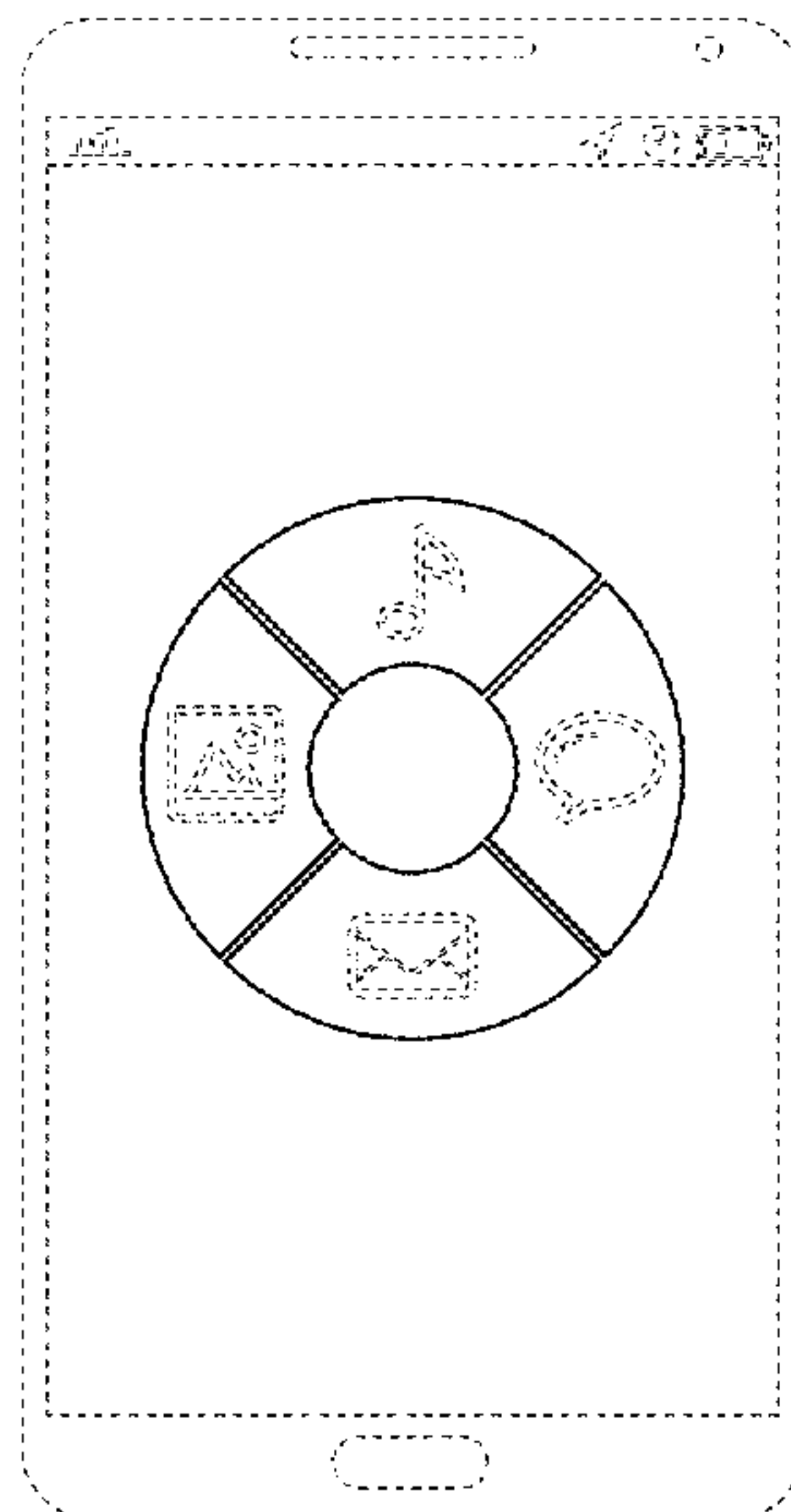
In the first embodiment, the appearance of the transitional
image sequentially transitions between the images shown in
FIGS. 1 through 3. In the second embodiment, the appearance
of the transitional image sequentially transitions between the
images shown in FIGS. 4 through 6. In the third embodiment,
the appearance of the transitional image sequentially transi-
tions between the images shown in FIGS. 7 through 9. The
process or period in which one image transitions to another
image forms no part of the claimed design.
The broken line showing of a portion of a display screen in
FIGS. 1 through 9 forms no part of the claimed design. The
broken line showing of text and portions of the graphical user
interface in FIGS. 1 through 9 represents environmental sub-
ject matter and forms no part of the claimed design.

(56) **References Cited**

U.S. PATENT DOCUMENTS

D586,354 S * 2/2009 Gu D14/485
D591,305 S * 4/2009 Shimoda D14/485
D627,365 S * 11/2010 Brinda D14/488
D648,347 S * 11/2011 Chaudhri D14/488
D649,974 S * 12/2011 Liu D14/485
D662,108 S * 6/2012 Okumura D14/487
D687,046 S * 7/2013 Plitkins D14/485
D715,313 S * 10/2014 Hontz, Jr. D14/485
D722,075 S * 2/2015 Zhang D14/486
D722,076 S * 2/2015 Zhang D14/486

1 Claim, 9 Drawing Sheets



(56)

References Cited

U.S. PATENT DOCUMENTS

D730,365 S *	5/2015	Zhang	D14/485	D743,986 S *	11/2015	Pan	D14/486
D730,378 S *	5/2015	Xiong	D14/487	D743,992 S *	11/2015	Lee	D14/487
D730,379 S *	5/2015	Xiong	D14/487	D745,533 S *	12/2015	Luo	D14/485
D730,380 S *	5/2015	Zhong	D14/487	D745,535 S *	12/2015	Liu	D14/485
D730,381 S *	5/2015	Zhong	D14/487	D746,319 S *	12/2015	Zhang	D14/487
D730,931 S *	6/2015	Jiang	D14/487	D746,852 S *	1/2016	Zhou	D14/487
D731,520 S *	6/2015	Xiong	D14/487	D746,856 S *	1/2016	Jiang	D14/488
D732,562 S *	6/2015	Yan	D14/486	D747,335 S *	1/2016	Zhou	D14/486
D733,715 S *	7/2015	Sakata	D14/447	D747,341 S *	1/2016	Zhang	D14/487
D733,745 S *	7/2015	Huang	D14/487	D747,350 S *	1/2016	Fan	D14/492
D734,356 S *	7/2015	Xiong	D14/487	2003/0048309 A1 *	3/2003	Tambata	G01C 21/3664 715/810
D735,235 S *	7/2015	Zhou	D14/487	2003/0197740 A1 *	10/2003	Reponen	G06F 3/0362 715/810
D736,246 S *	8/2015	Zhang	D14/488	2005/0081164 A1 *	4/2005	Hama	G06F 3/0482 715/830
D736,247 S *	8/2015	Chen	D14/488	2007/0226622 A1 *	9/2007	Kim	H04N 5/44543 715/716
D736,248 S *	8/2015	Chen	D14/488	2008/0287169 A1 *	11/2008	Kim	G06F 1/1624 455/575.4
D736,823 S *	8/2015	Jiang	D14/488	2010/0281380 A1 *	11/2010	Langmacher	G06F 3/04847 715/723
D737,316 S *	8/2015	Li	D14/488	2014/0075375 A1 *	3/2014	Hwang	G06F 3/0482 715/784
D740,834 S *	10/2015	Song	D14/485	2014/0123042 A1 *	5/2014	Lee	G06F 3/04883 715/765
D740,835 S *	10/2015	Song	D14/485					
D740,836 S *	10/2015	Song	D14/485					
D740,844 S *	10/2015	Zhou	D14/486					
D740,849 S *	10/2015	Zou	D14/487					
D740,850 S *	10/2015	Zhang	D14/487					
D741,355 S *	10/2015	Zou	D14/487					

* cited by examiner

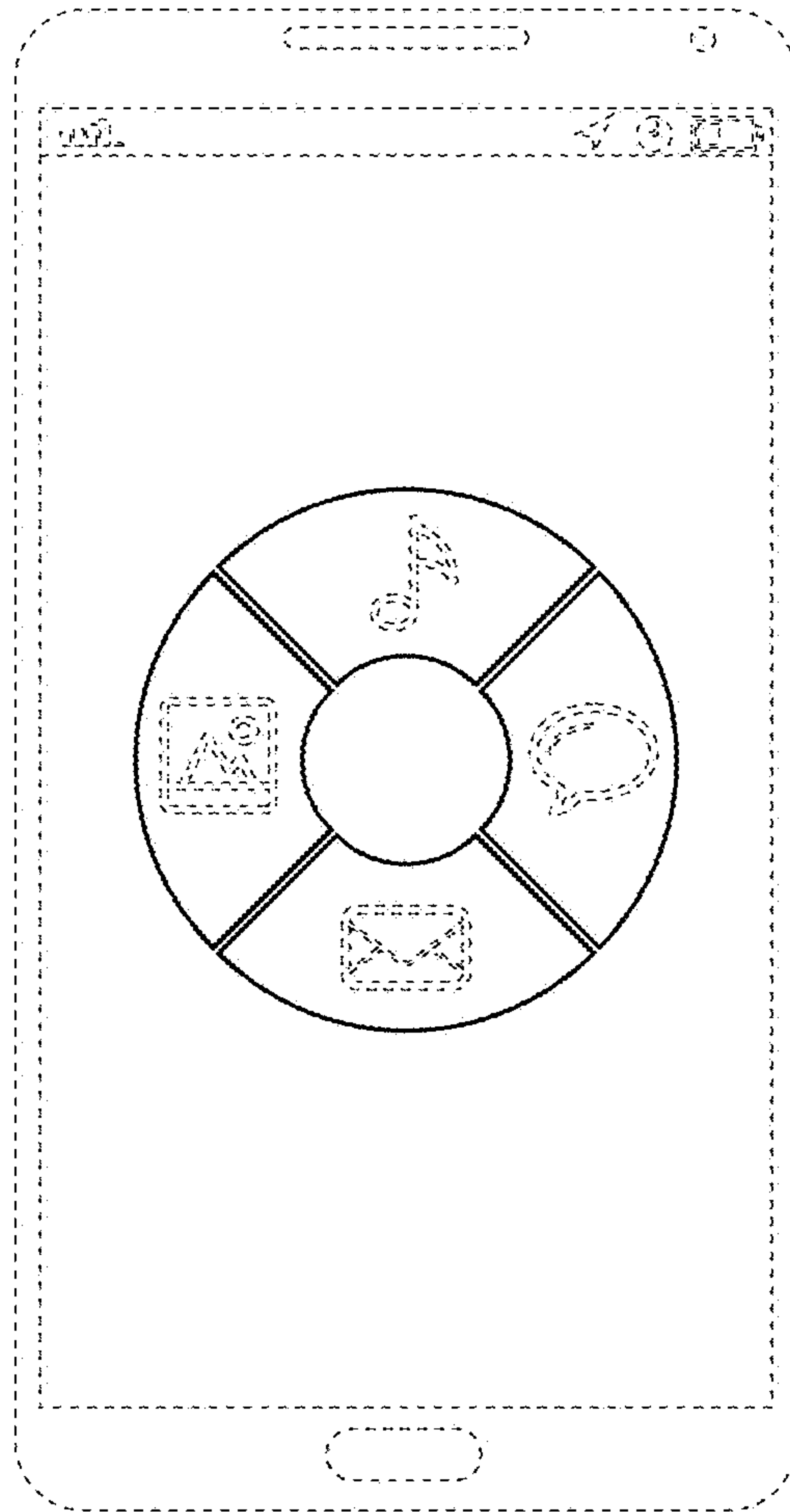


FIG. 1

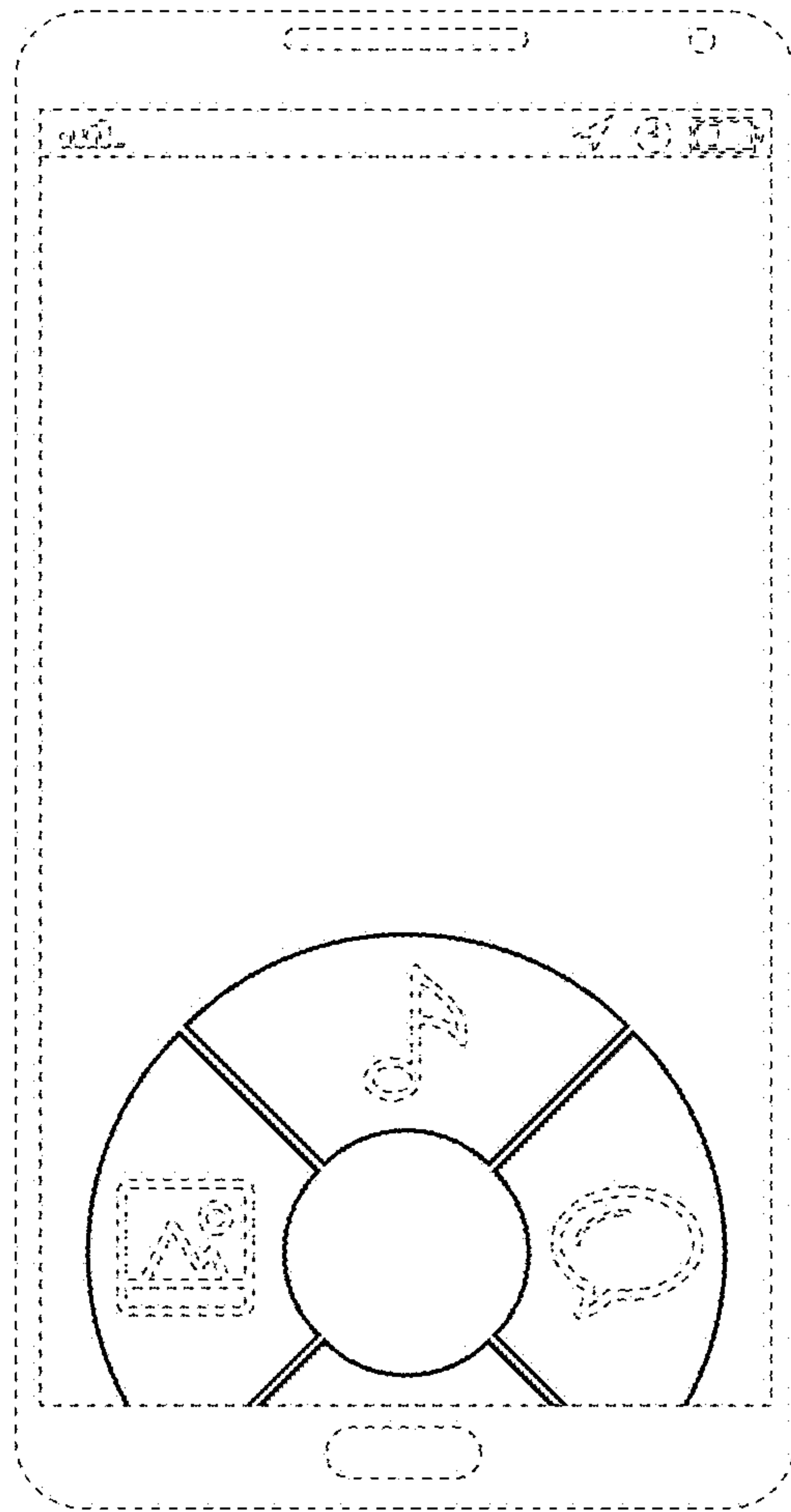


FIG. 2

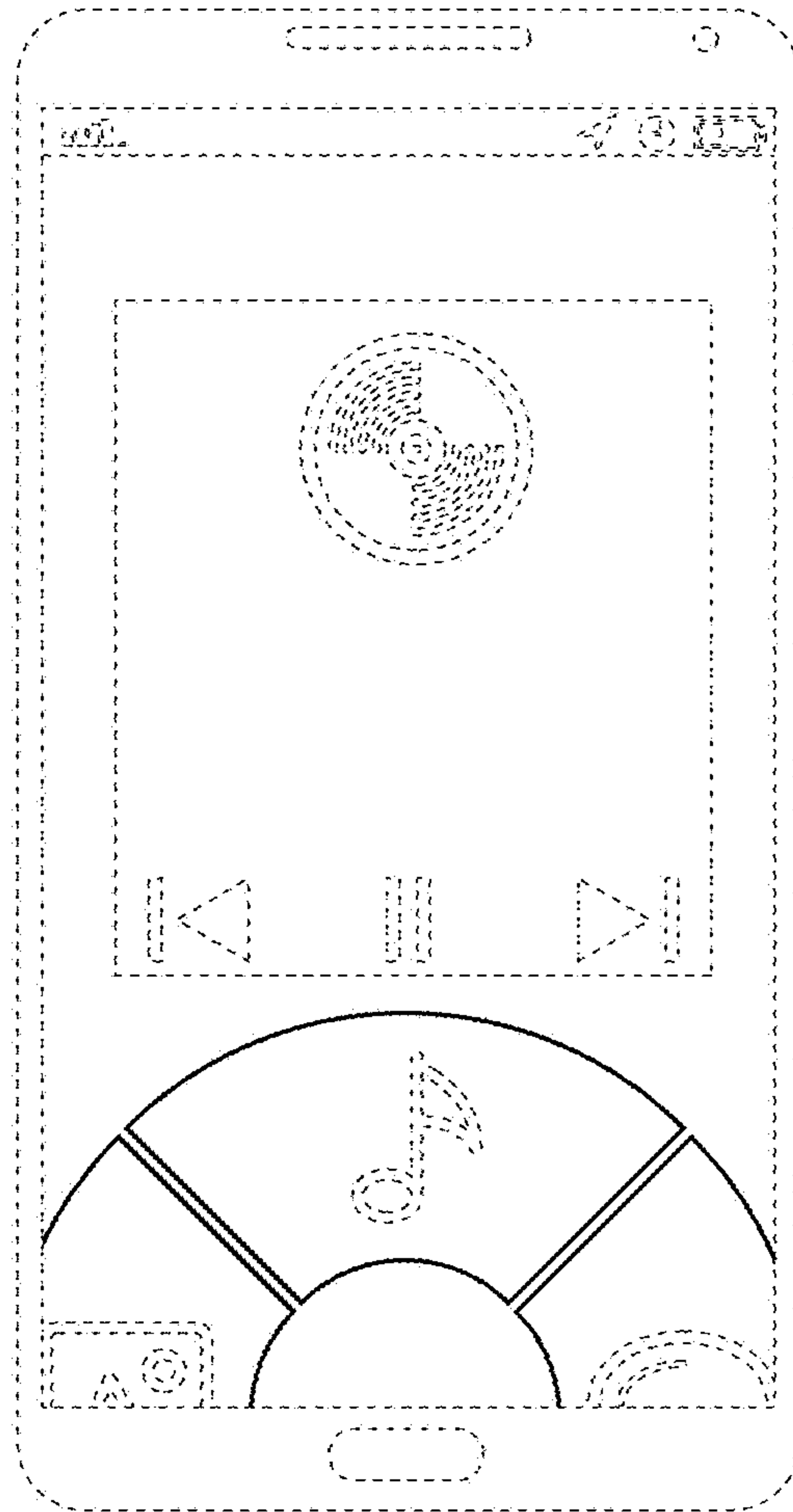


FIG. 3

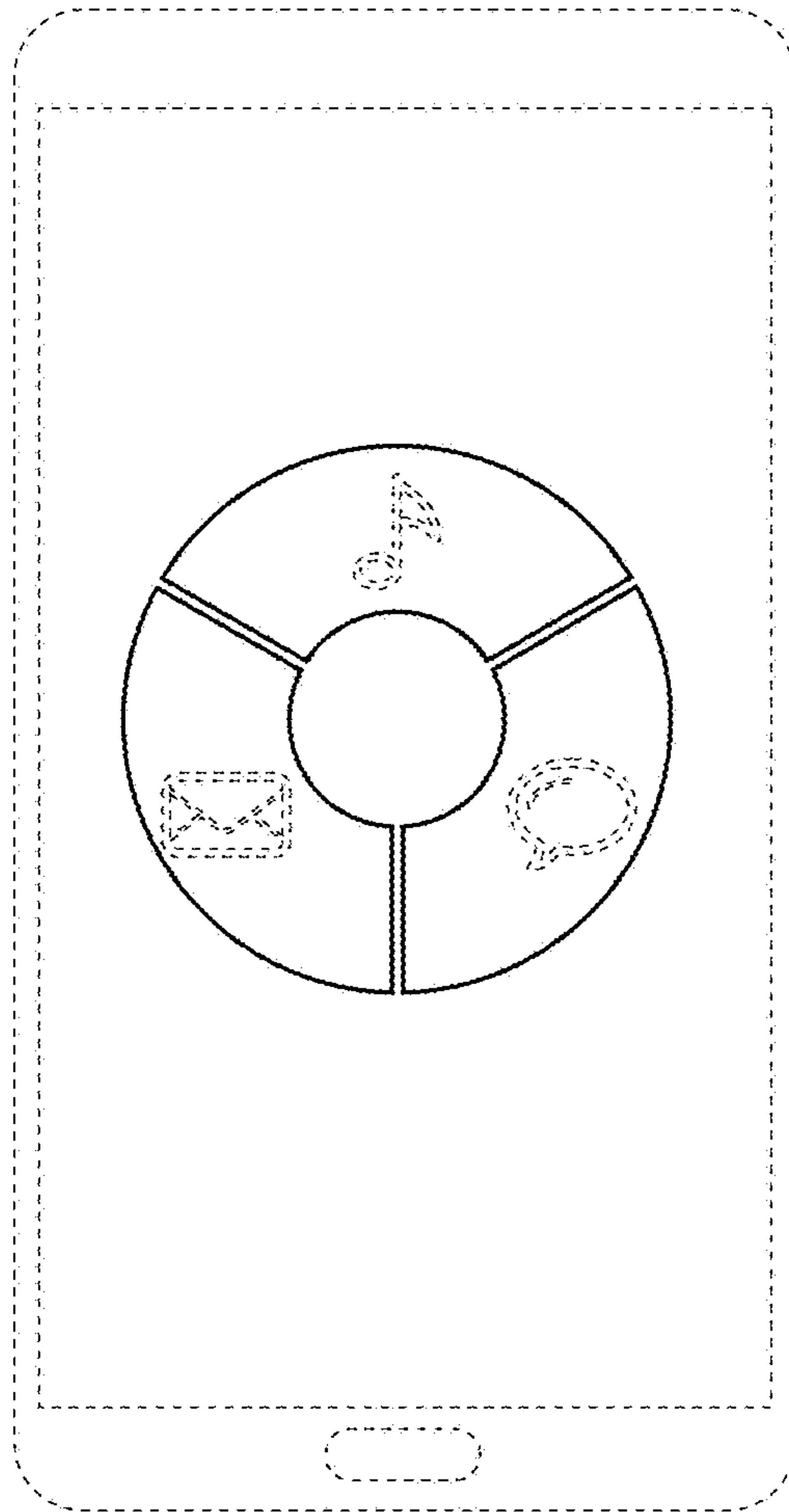


FIG. 4

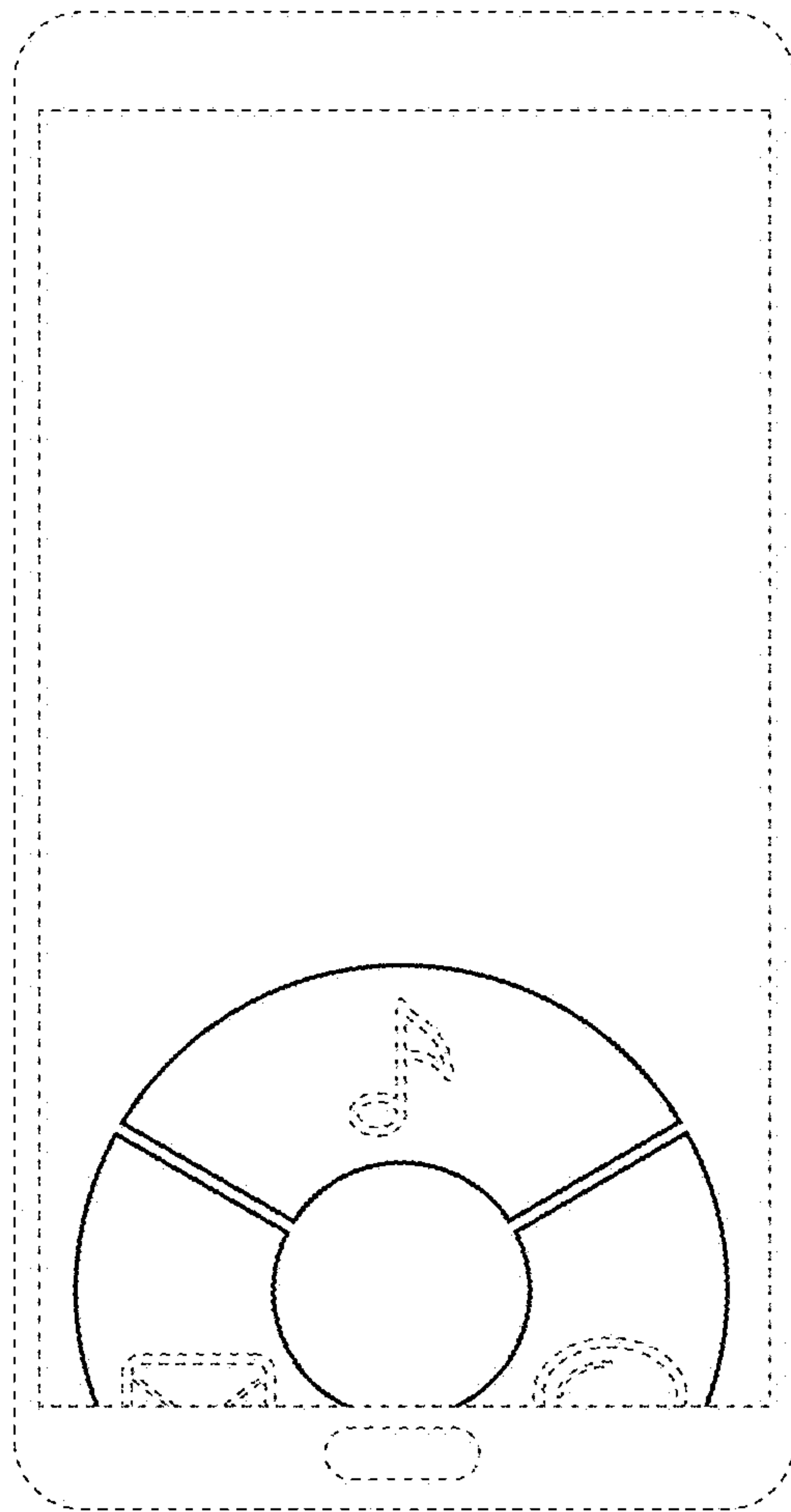


FIG. 5

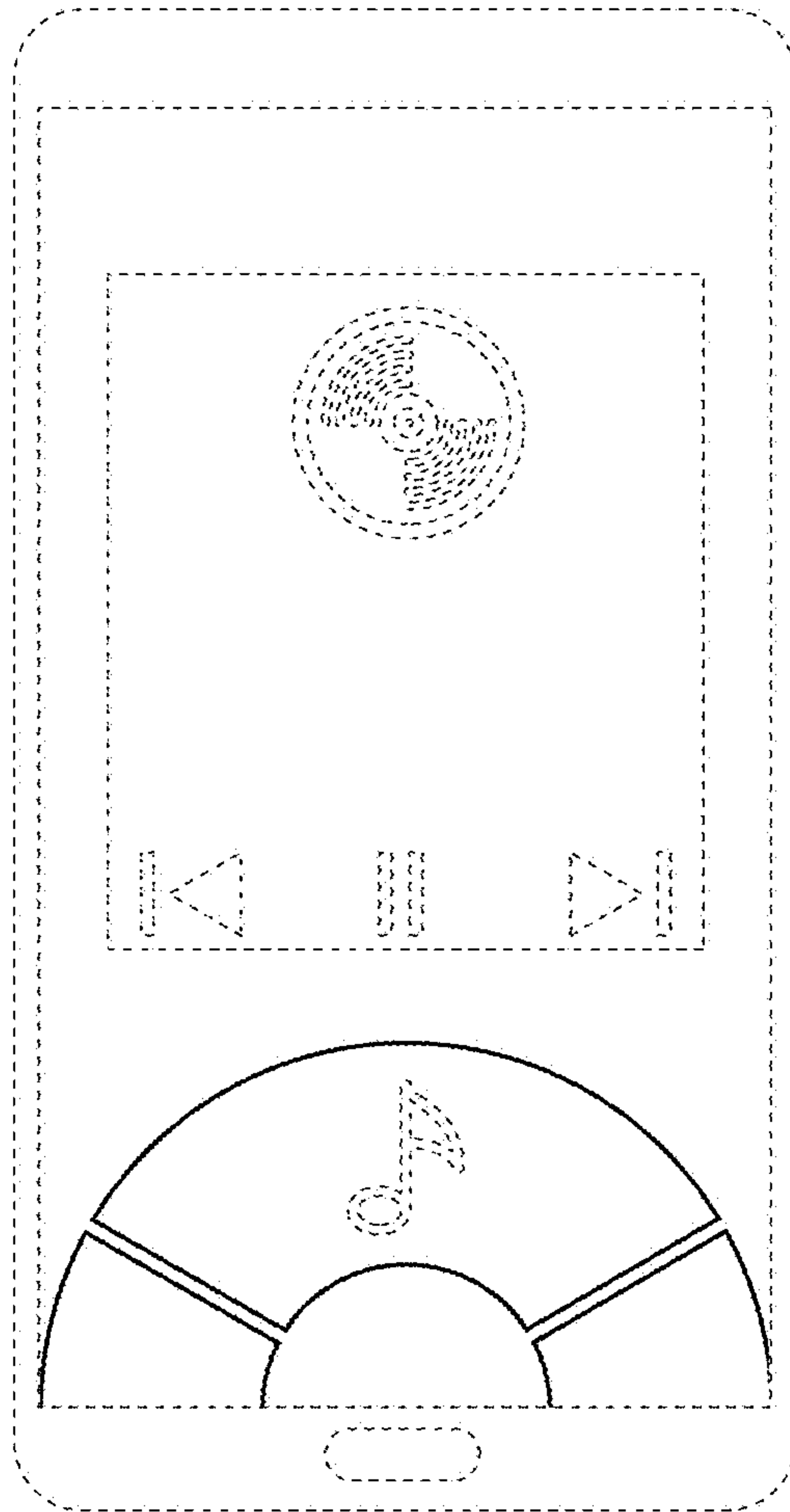


FIG. 6

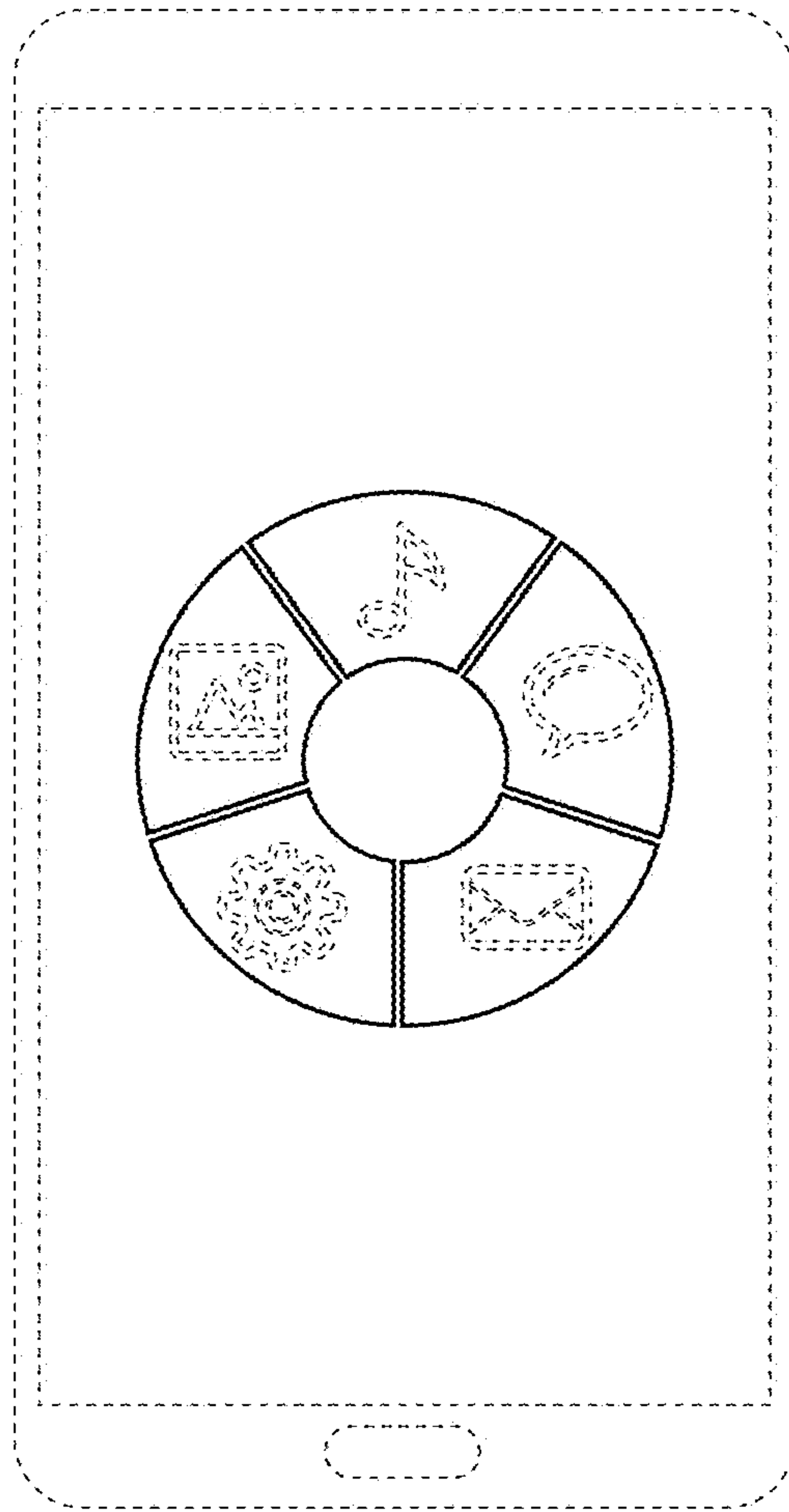


FIG. 7

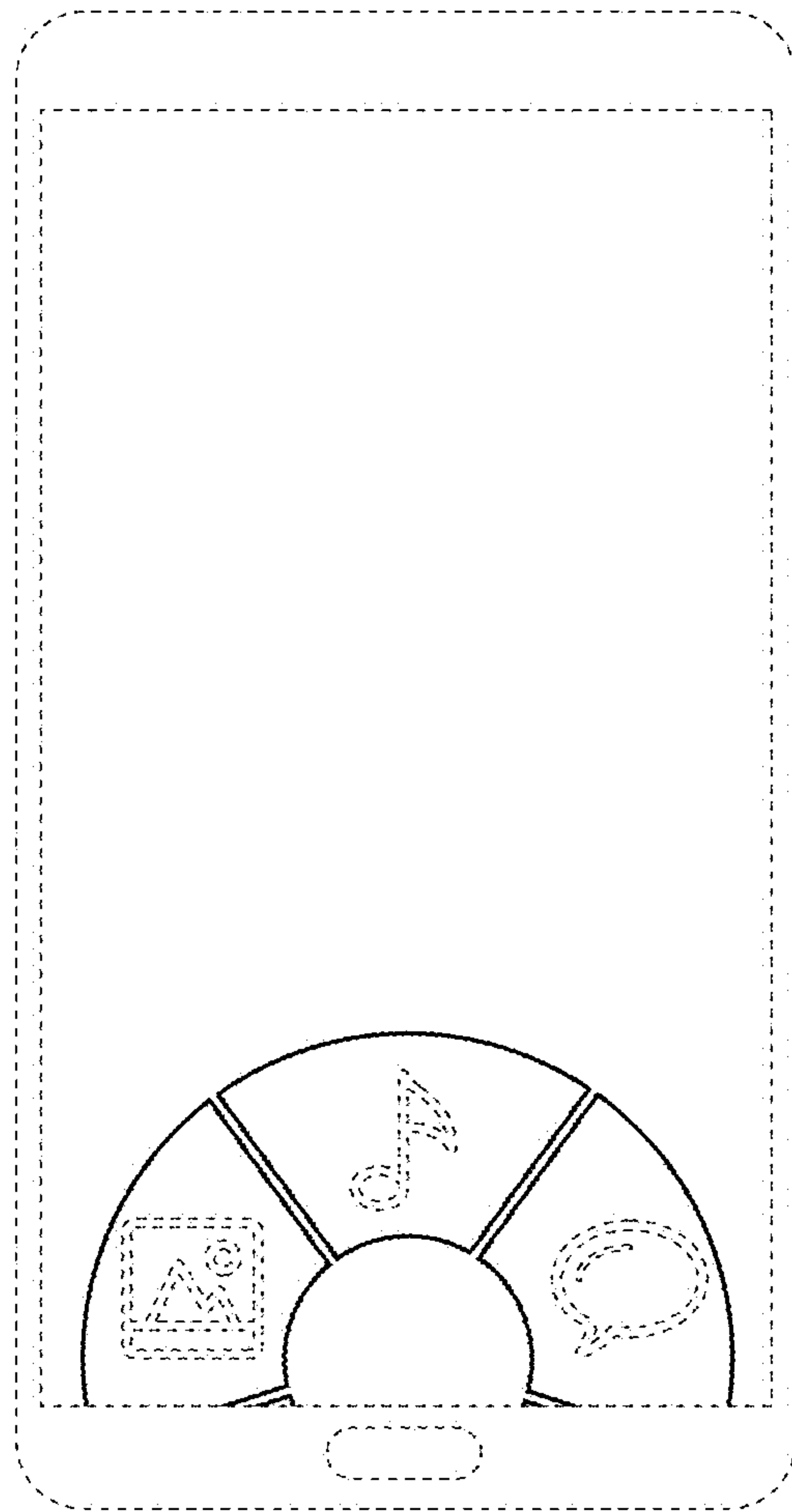


FIG. 8

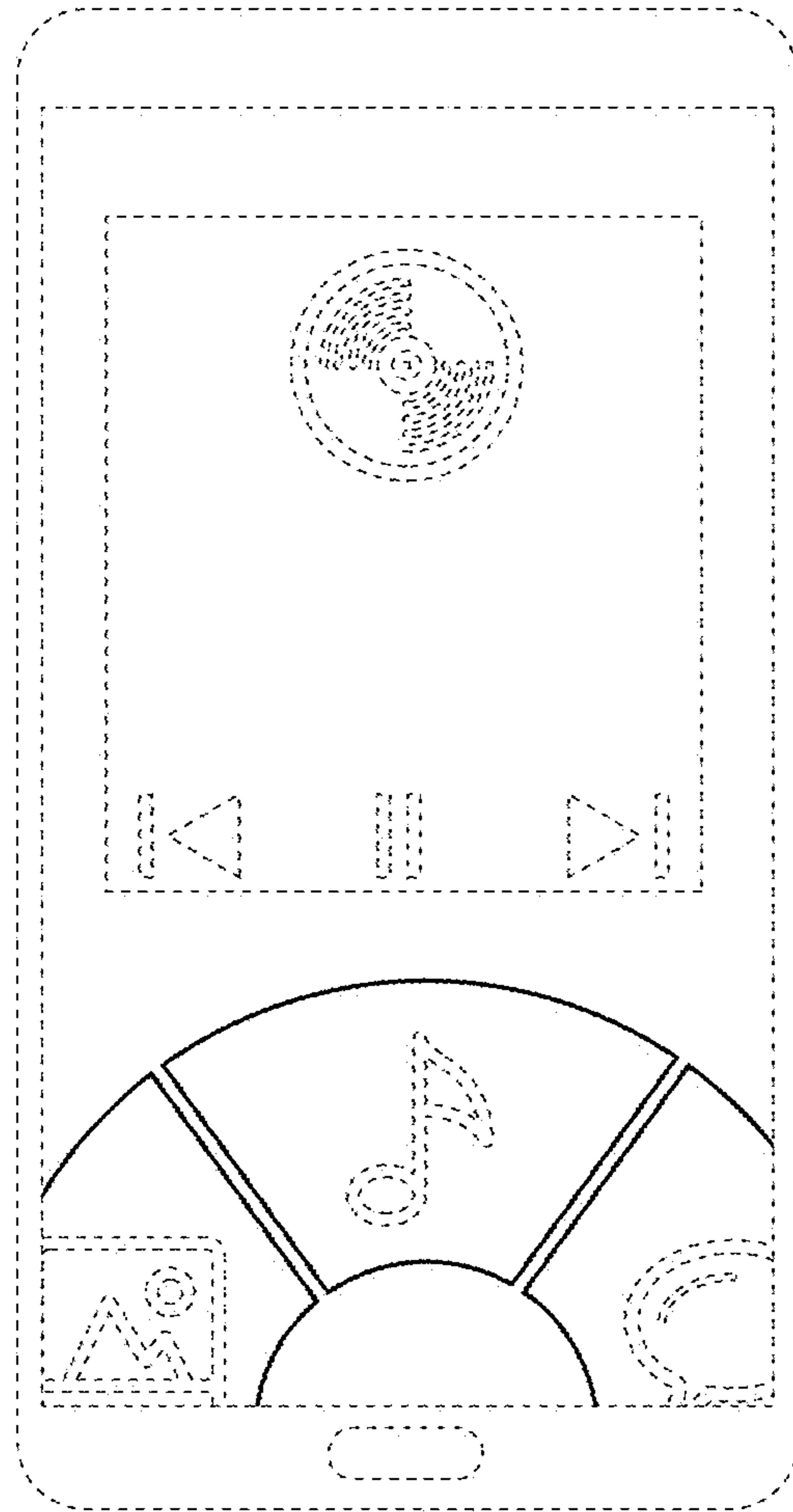


FIG. 9