



US00D757812S

(12) **United States Design Patent**
Woo et al.

(10) **Patent No.:** **US D757,812 S**

(45) **Date of Patent:** **** May 31, 2016**

(54) **DISPLAY SCREEN OR PORTION THEREOF WITH ICON**

- (71) Applicant: **Samsung Electronics Co., Ltd.**, Suwon-si (KR)
- (72) Inventors: **Suk-Young Woo**, Seoul (KR); **Min-Sun Lee**, Seoul (KR); **Ju-Eun Lee**, Seoul (KR); **Han-Chul Jung**, Sungnam-Si (KR)
- (73) Assignee: **Samsung Electronics Co., Ltd.**, Suwon-si (KR)

- (**) Term: **14 Years**
- (21) Appl. No.: **29/498,280**
- (22) Filed: **Aug. 1, 2014**

- (30) **Foreign Application Priority Data**
Feb. 12, 2014 (KR) 30-2014-0007046
- (51) **LOC (10) Cl.** **14-04**
- (52) **U.S. Cl.**
USPC **D14/492**
- (58) **Field of Classification Search**
USPC D14/489-495; 715/700-867, 973-977
CPC G06F 3/0481
See application file for complete search history.

(56) **References Cited**

U.S. PATENT DOCUMENTS

- D638,028 S * 5/2011 Cook D14/488
- D677,194 S * 3/2013 Marovic D11/95
- D677,326 S * 3/2013 Gleasman D18/27
- D680,126 S * 4/2013 Seo D14/486
- D680,550 S * 4/2013 Seo D14/486
- D711,910 S * 8/2014 Inose D14/489

OTHER PUBLICATIONS

“Map pin location sign rounded polygon icon flat style,” [online], retrieved on Dec. 10, 2015, retrieved from <<http://www.shutterstock.com/pic-212587267/stock-vector-map-pin-location-sign-rounded-polygon-icon-in-flat-style-simple-black-shapes-with-gray-gradient.html?src=pp-photo-216039178-6&ws=1>>.*

* cited by examiner

Primary Examiner — Karen E Kearney
Assistant Examiner — Debra Callahan
(74) *Attorney, Agent, or Firm* — NSIP Law

(57) **CLAIM**

We claim the ornamental design for a display screen or portion thereof with icon, as shown and described.

DESCRIPTION

FIG. 1 is a front view of a display screen or portion thereof with icon showing our new design;
FIG. 2 is a front view thereof, in which an oven in broken lines is provided to illustrate an example environment; and,
FIG. 3 is another front view thereof, in which a display screen in broken lines is provided to illustrate an example environment.
The long dash short dash broken line in FIGS. 1 and 2 represent the bounds of the claimed design and form no part thereof.
The broken lines showing of the oven in FIG. 2 are included for the purpose of illustrating environmental structure and form no part of the claimed design.
The broken lines showing portions of the display screen and of the icons and text in FIG. 3 are included for the purpose of illustrating portions of the article and form no part of the claimed design.

1 Claim, 3 Drawing Sheets

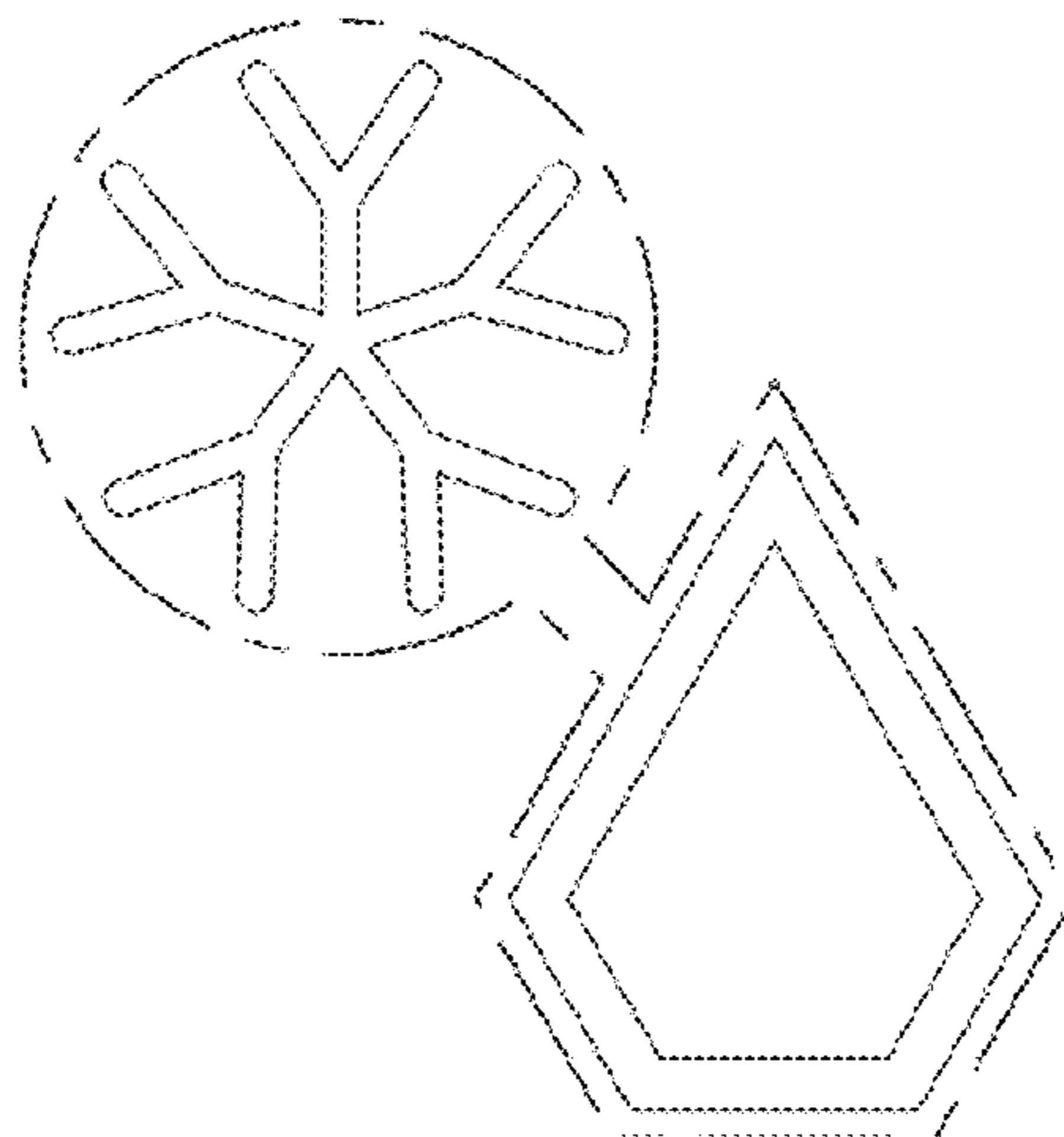


FIG. 1

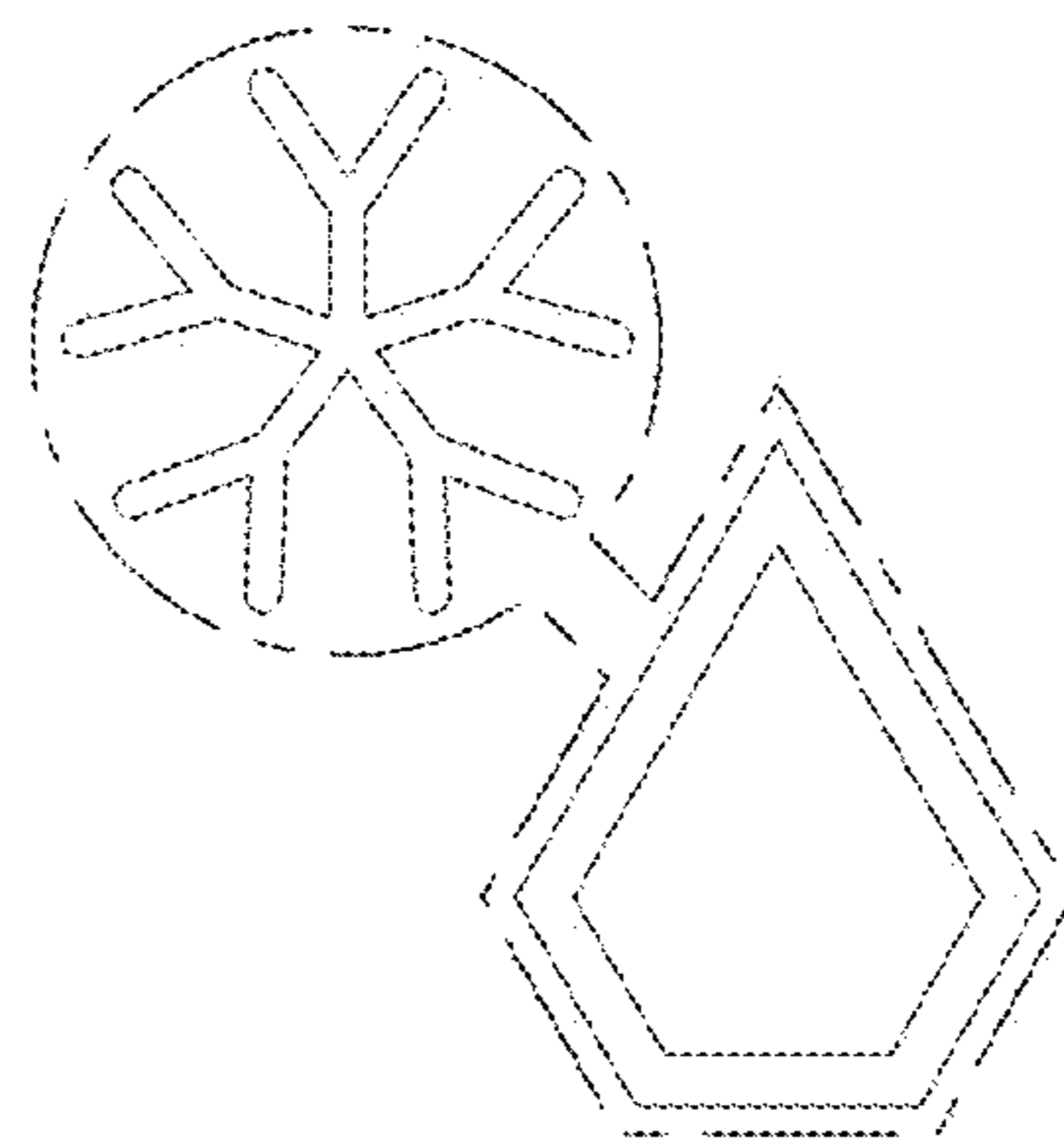


FIG. 2

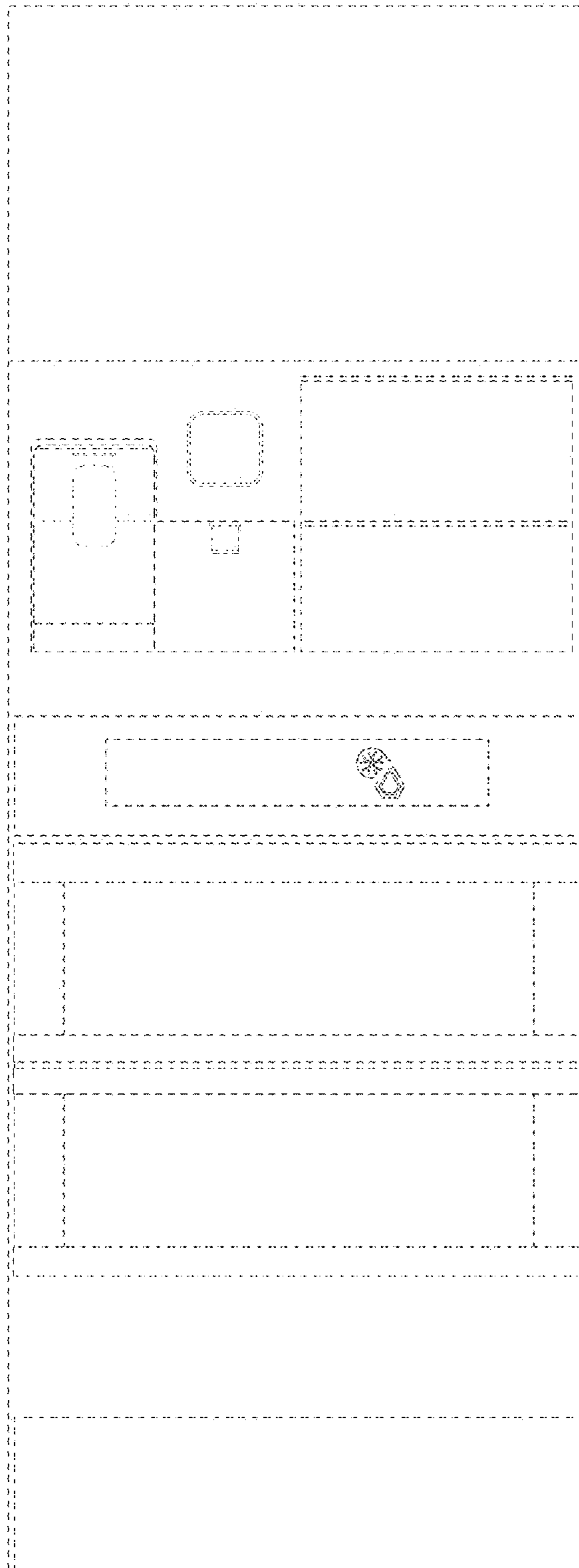


FIG. 3

