



US00D757785S

(12) **United States Design Patent**
Yang

(10) **Patent No.:** **US D757,785 S**
(45) **Date of Patent:** **** May 31, 2016**

(54) **DISPLAY SCREEN WITH CHANGEABLE GRAPHICAL USER INTERFACE**

DESCRIPTION

(71) Applicant: **Huawei Technologies Co., LTD,**
Shenzhen (CN)

(72) Inventor: **Huan Yang,** Beijing (CN)

(73) Assignee: **Huawei Technologies Co., Ltd.,**
Shenzhen (CN)

(**) Term: **14 Years**

(21) Appl. No.: **29/457,088**

(22) Filed: **Jun. 6, 2013**

(51) **LOC (10) Cl.** **14-04**

(52) **U.S. Cl.**
USPC **D14/488**

(58) **Field of Classification Search**
USPC D14/485–488, 489, 492, 494, 495
CPC G06F 3/04842; G06F 3/0482; G06F 3/04817
See application file for complete search history.

(56) **References Cited**

U.S. PATENT DOCUMENTS

D625,322 S *	10/2010	Guntaur et al.	D14/486
D640,283 S *	6/2011	Woo et al.	D14/487
D642,192 S *	7/2011	Arnold	D14/487
D681,046 S *	4/2013	Davis	D14/486
D690,320 S *	9/2013	Frijlink et al.	D14/488
D699,743 S *	2/2014	Arnold et al.	D14/488
D701,518 S *	3/2014	Thornton et al.	D14/486

(Continued)

Primary Examiner — Sheryl Lane

Assistant Examiner — Nicole Shiflet

(74) *Attorney, Agent, or Firm* — Slater Matsil, LLP

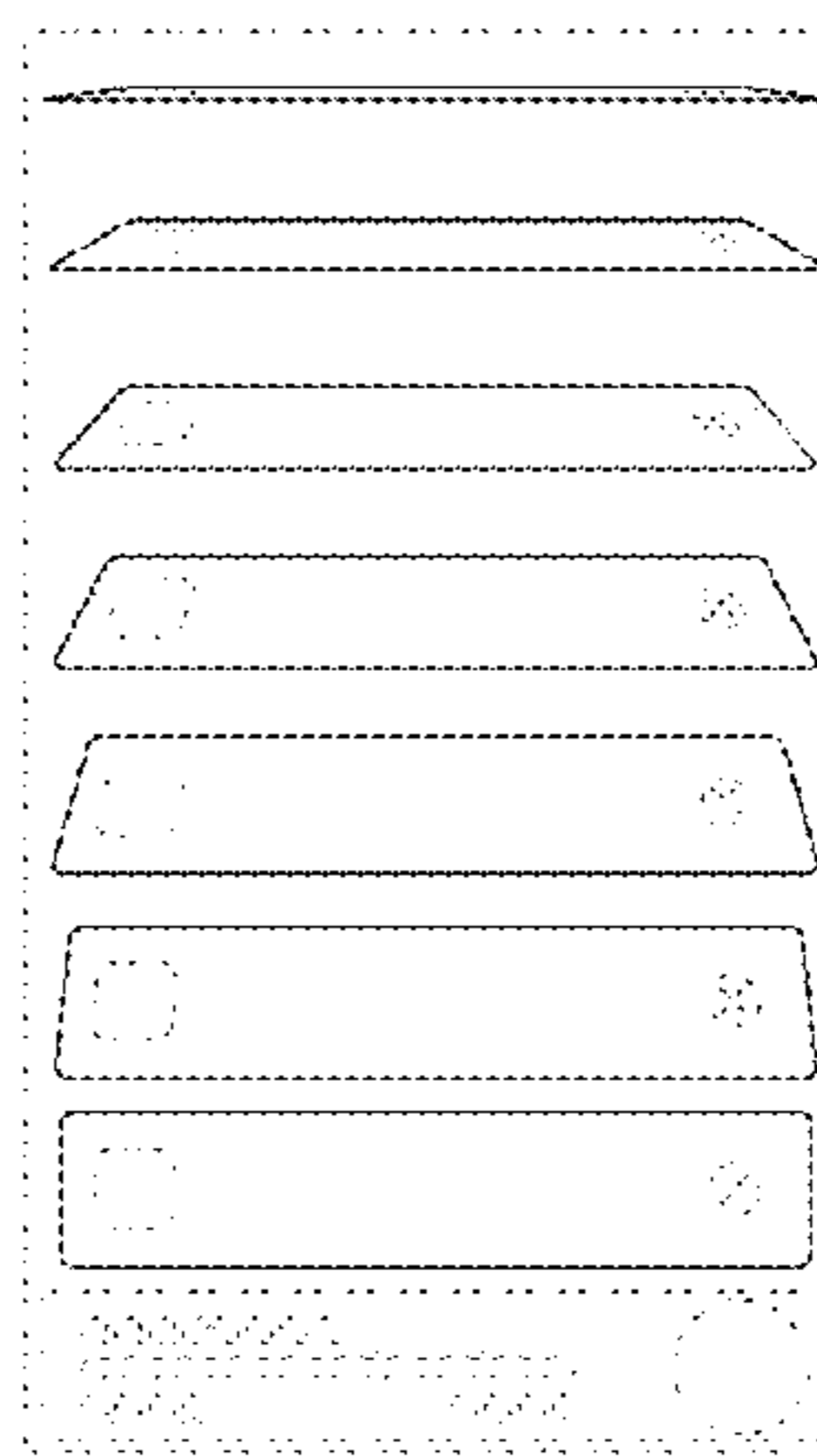
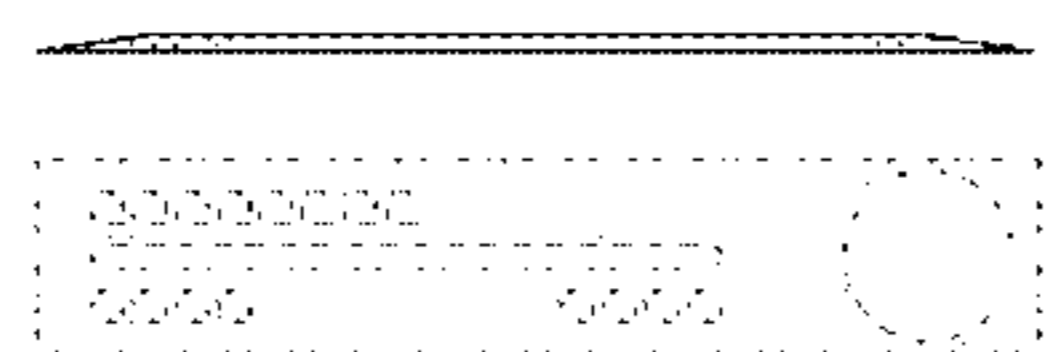
(57) **CLAIM**

The ornamental design for a display screen with changeable graphical user interface, as shown and described.

FIG. 1 is a front view of a portion of a display screen with changeable graphical user interface in a first appearance state; FIG. 2 is a front view of the portion of the display screen with changeable graphical user interface in a second appearance state; FIG. 3 is a front view of the portion of the display screen with changeable graphical user interface in a third appearance state; FIG. 4 is a front view of the portion of the display screen with changeable graphical user interface in a fourth appearance state; FIG. 5 is a front view of the portion of the display screen with changeable graphical user interface in a fifth appearance state; FIG. 6 is a front view of the portion of the display screen with changeable graphical user interface in a sixth appearance state; FIG. 7 is a front view of the portion of the display screen with changeable graphical user interface in a seventh appearance state; FIG. 8 is a front view of the portion of the display screen with changeable graphical user interface in an eighth appearance state; FIG. 9 is a front view of the portion of the display screen with changeable graphical user interface in a ninth appearance state; FIG. 10 is a front view of the portion of the display screen with changeable graphical user interface in a tenth appearance state; and, FIG. 11 is a front view of the portion of the display screen with changeable graphical user interface in an eleventh appearance state.

The subject matter in this patent includes a process or period in which an image changes into another image. This process or period forms no part of the claimed design. The broken line showing of the remainder of the user interface and the display screen is for environmental purposes only and forms no part of the claimed design.

1 Claim, 6 Drawing Sheets



(56)

References Cited

U.S. PATENT DOCUMENTS

D721,721 S * 1/2015 Seung-Hyuck D14/486
2009/0235193 A1 * 9/2009 Bhatt et al. 715/765
2010/0306024 A1 * 12/2010 Ryan 705/10

2010/0325568 A1 * 12/2010 Pedersen et al. 715/765
2011/0102421 A1 * 5/2011 Minamino et al. 345/419
2012/0249541 A1 * 10/2012 Sato et al. 345/419
2013/0226865 A1 * 8/2013 Munemann 707/609

* cited by examiner

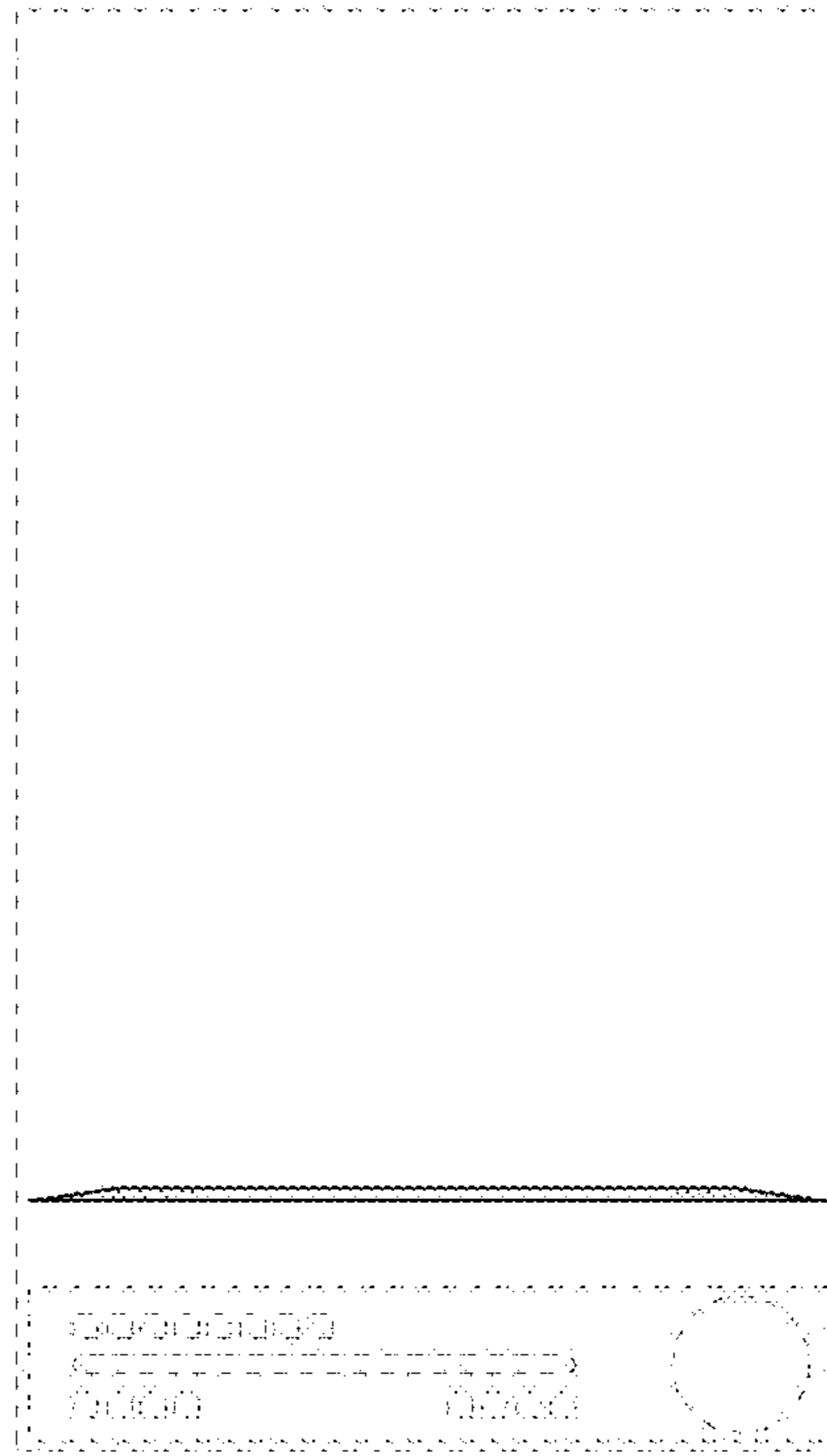


Figure 1

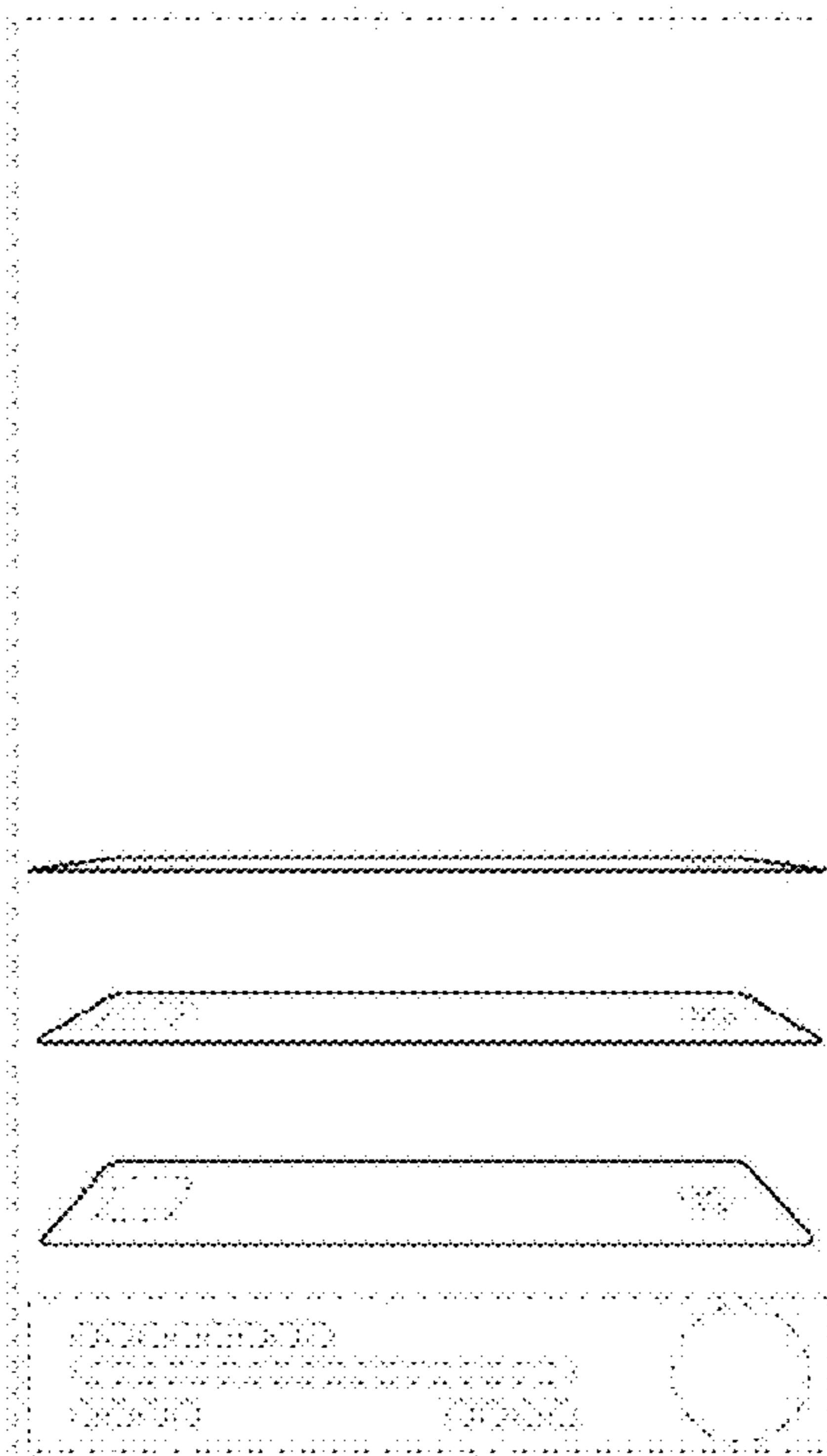


Figure 2

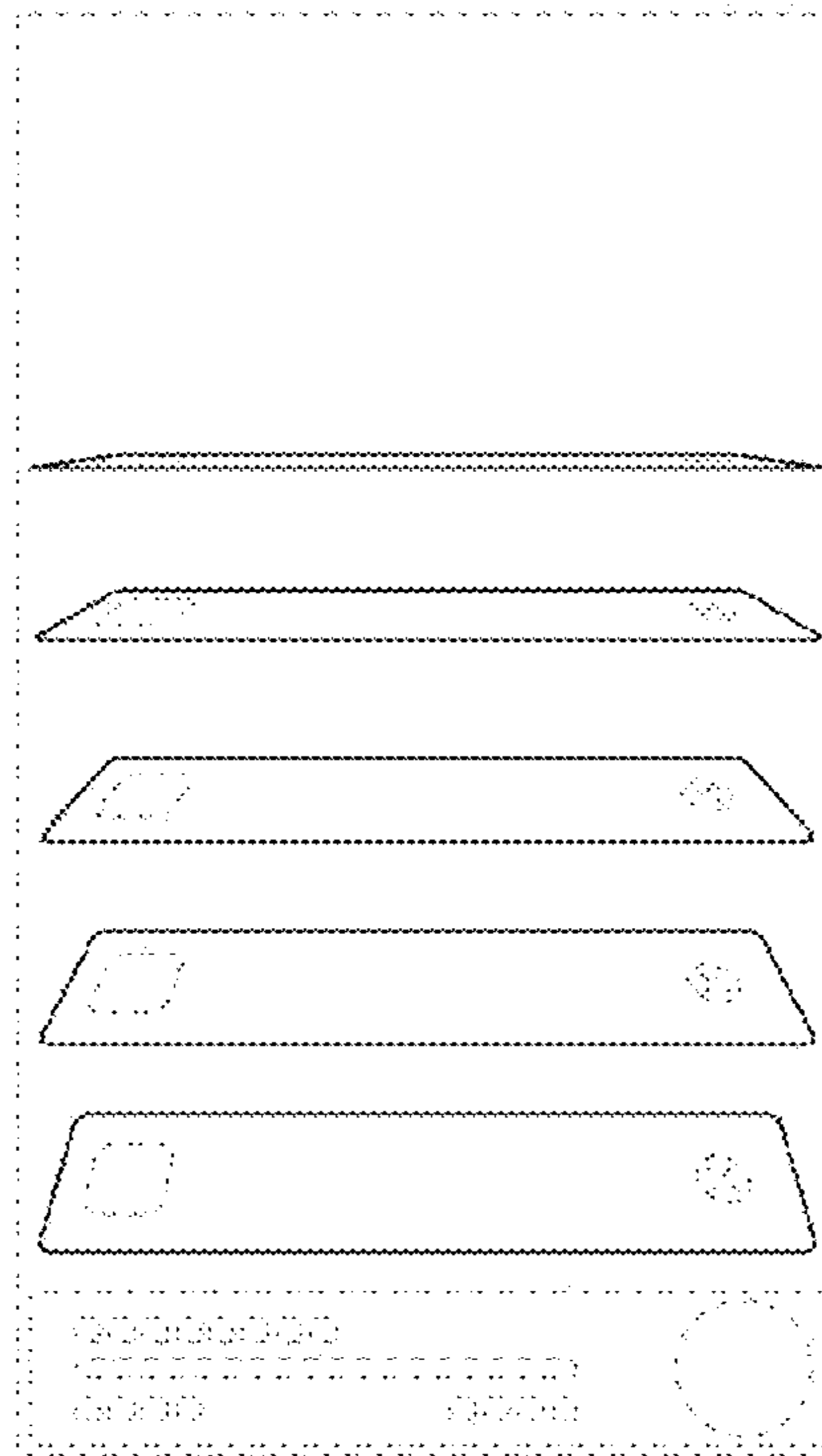


Figure 3

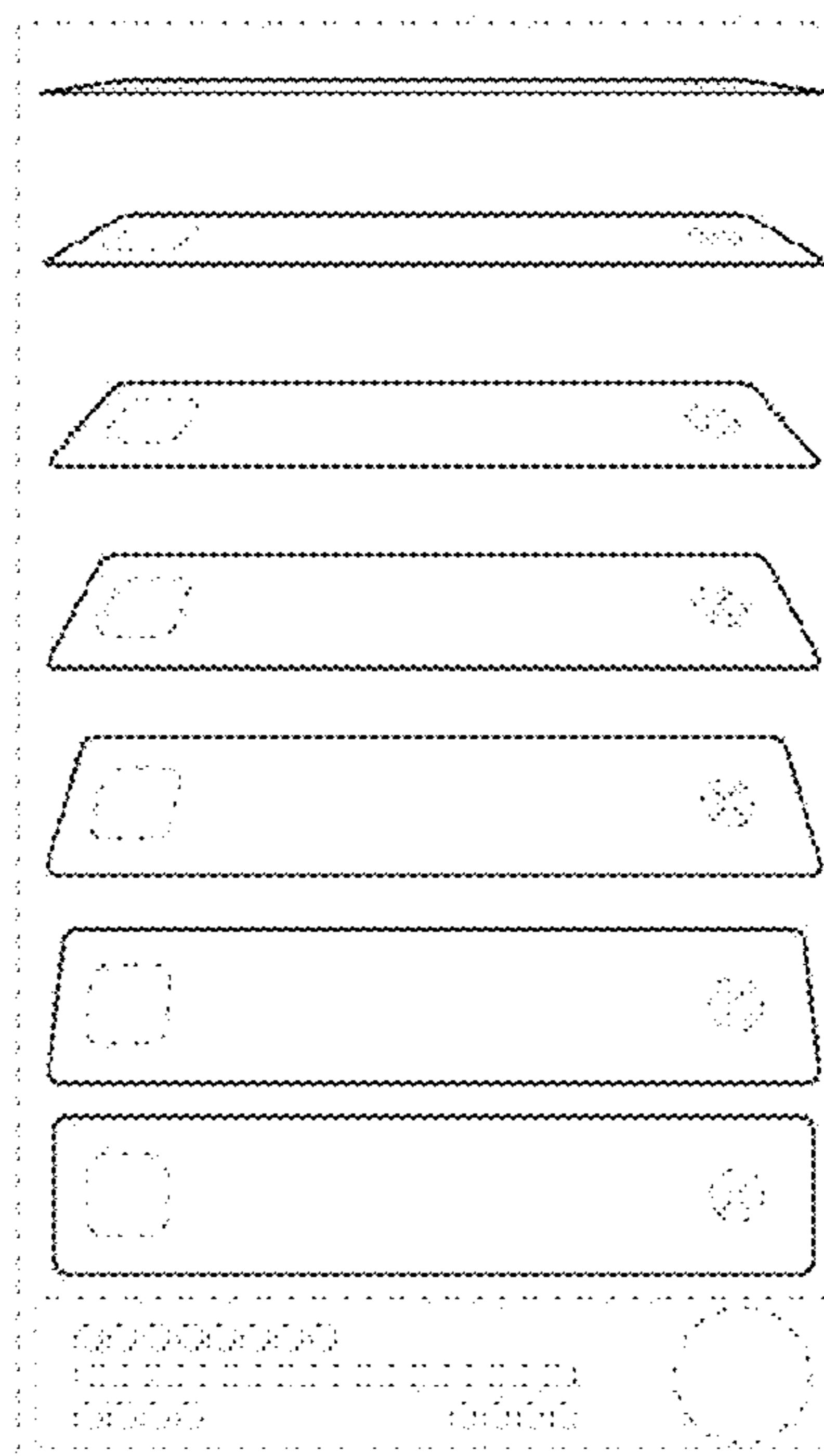


Figure 4

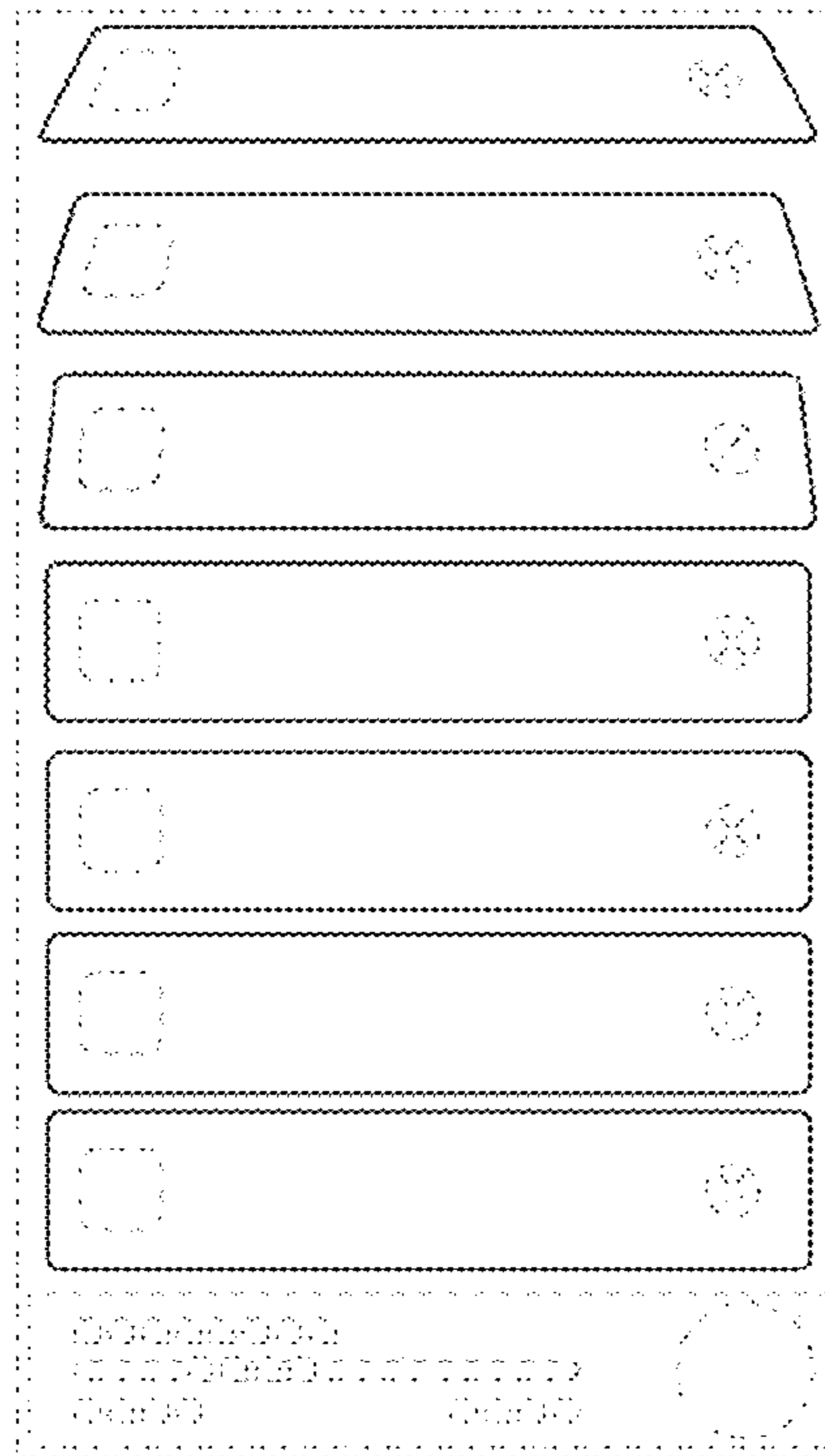


Figure 5

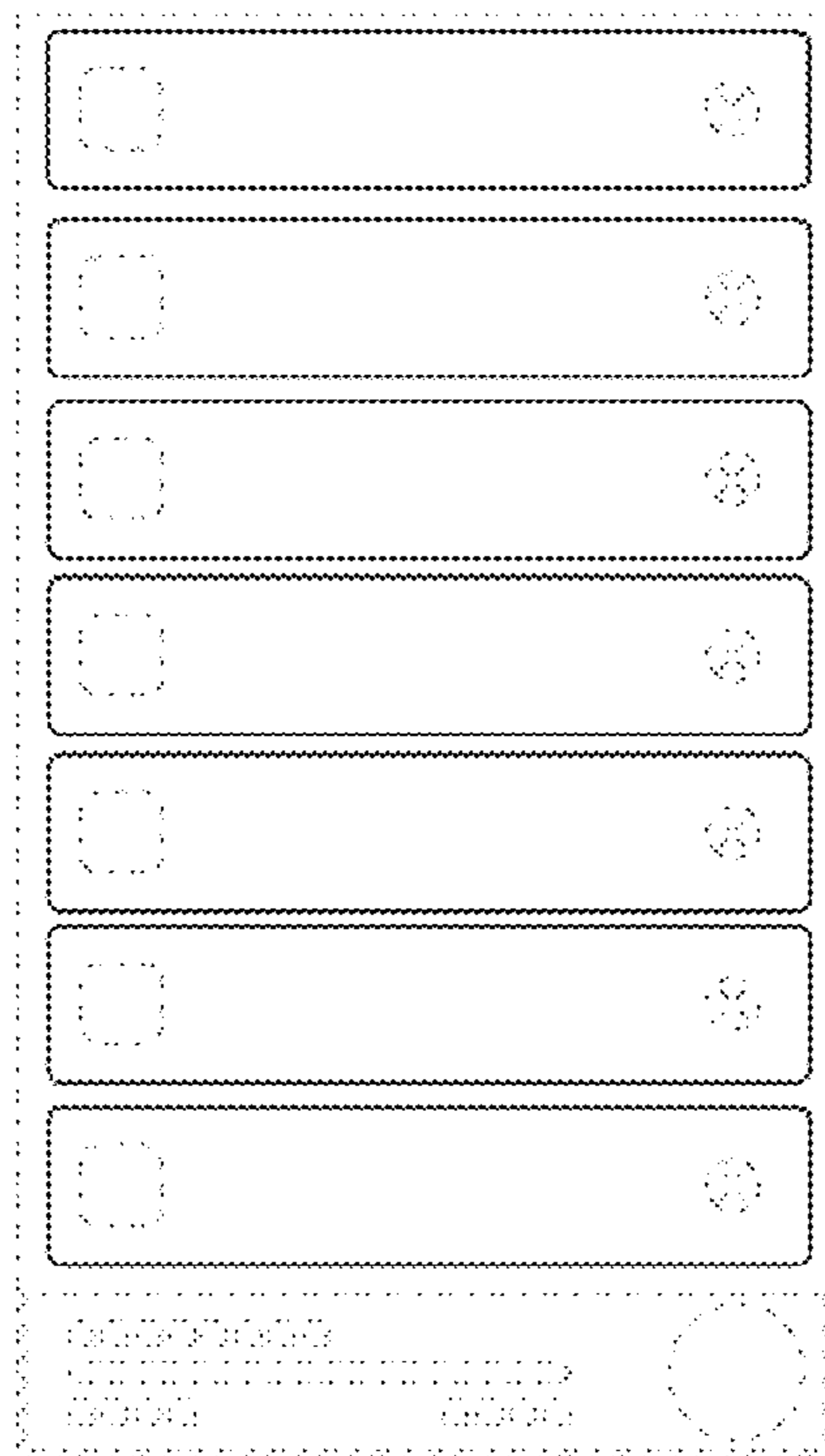


Figure 6

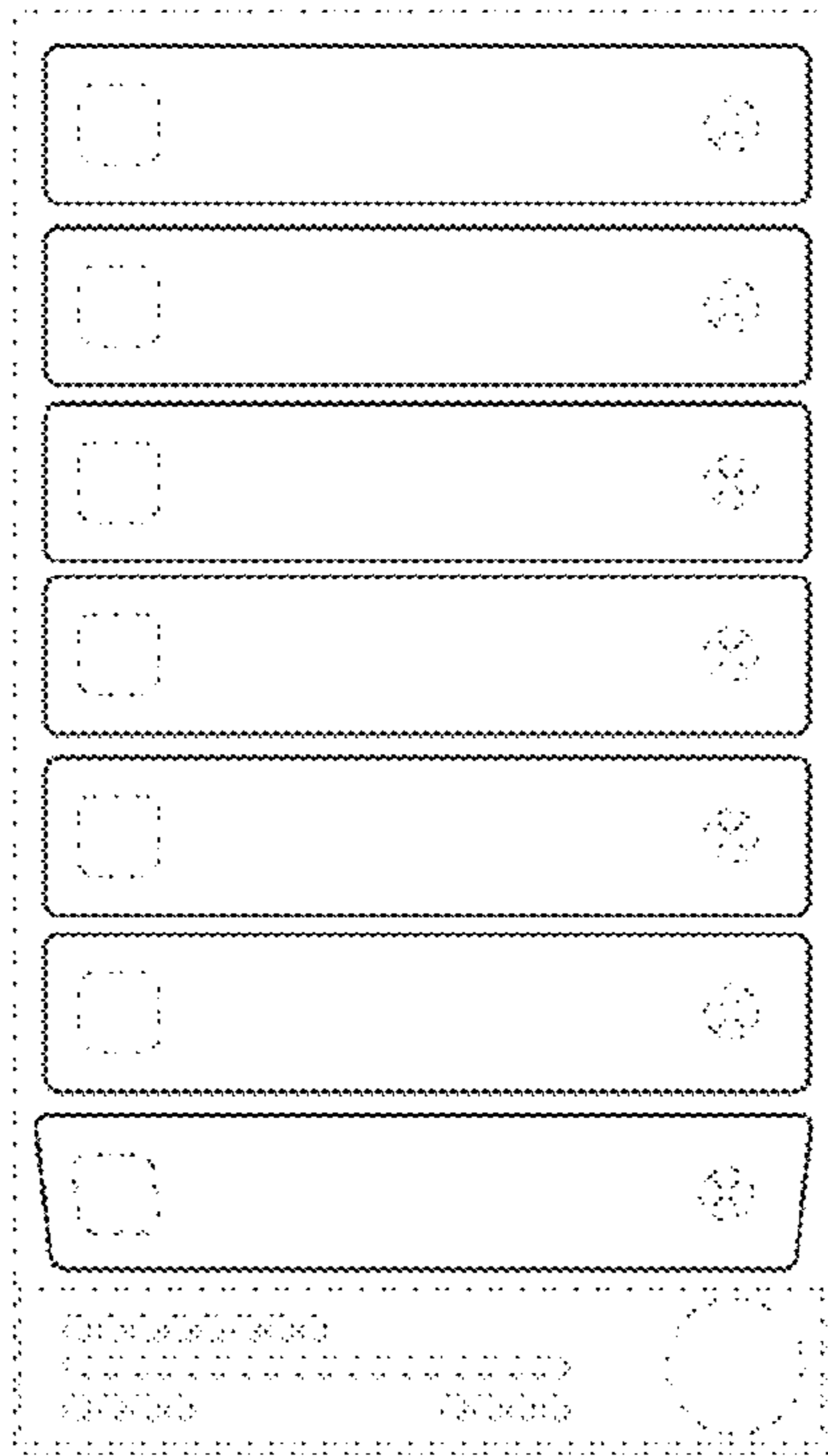


Figure 7

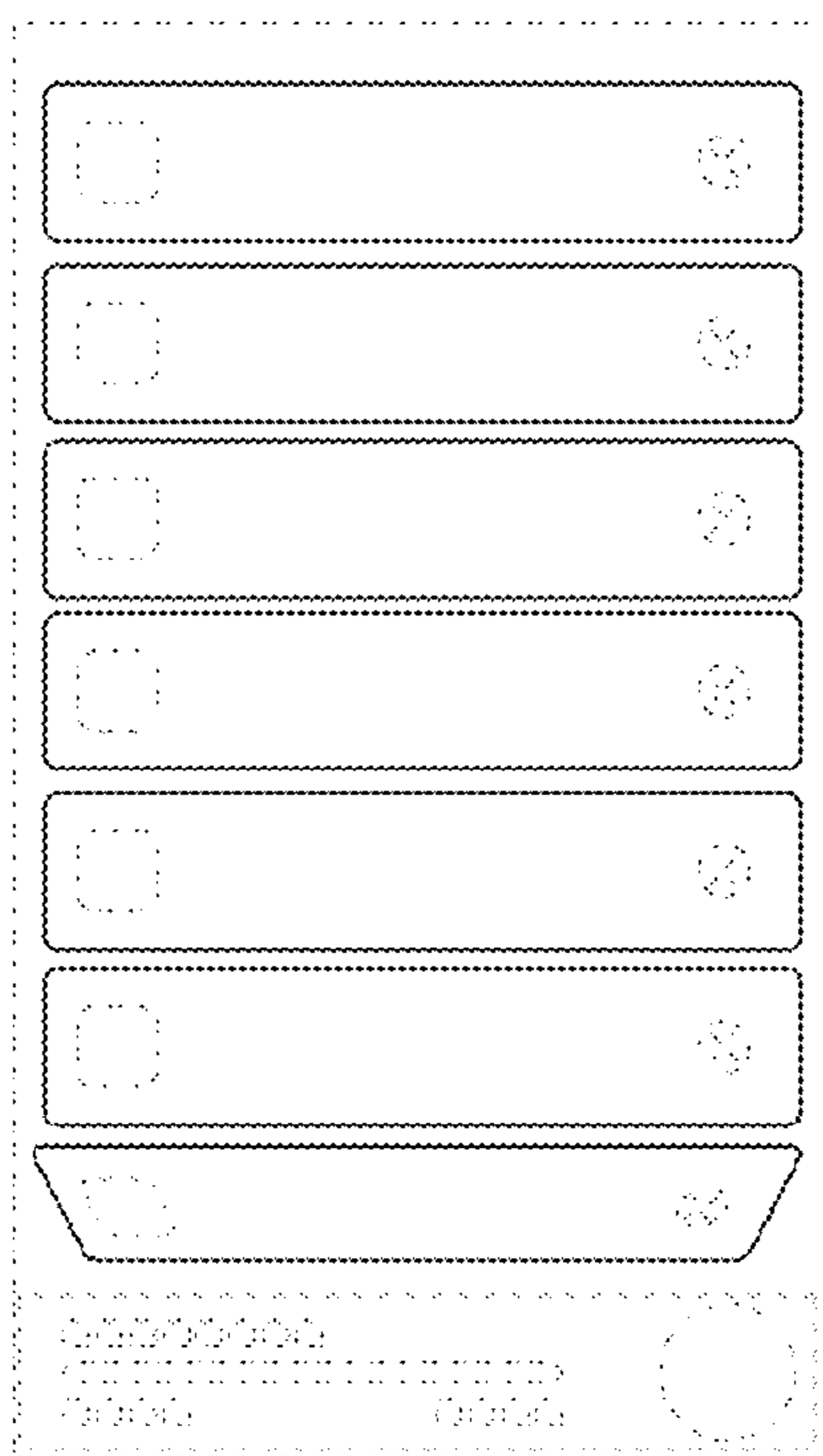


Figure 8

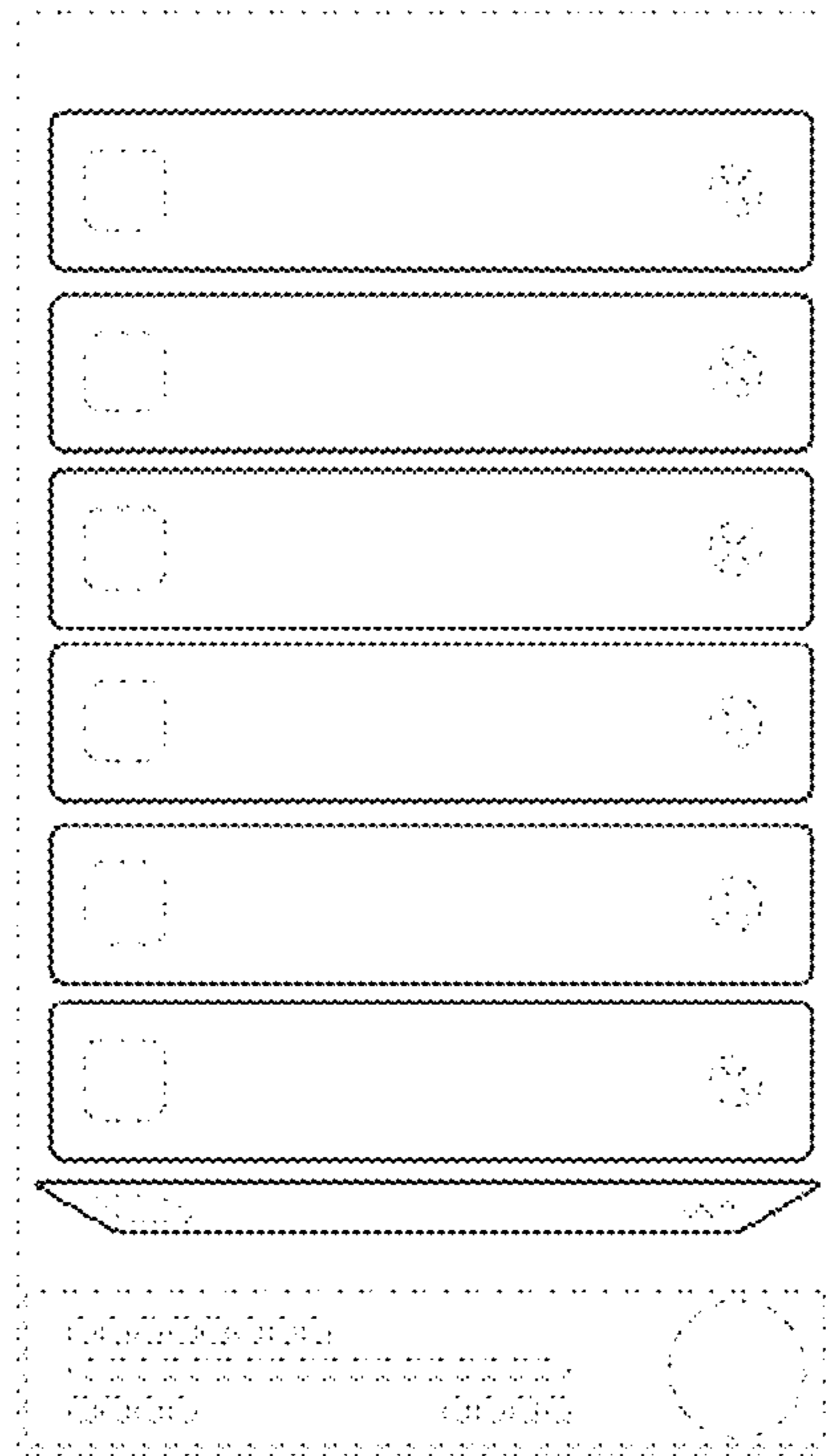


Figure 9

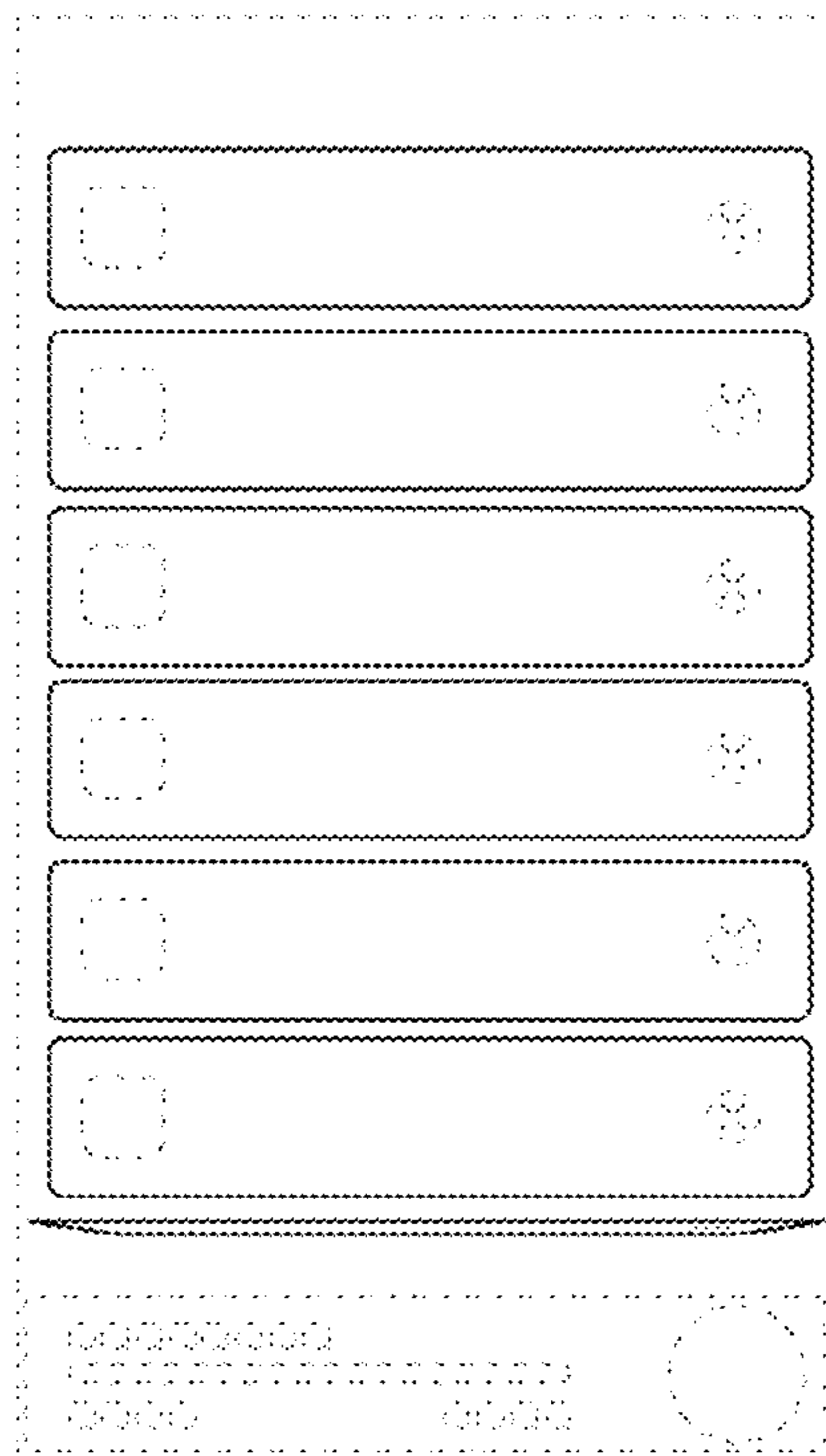


Figure 10

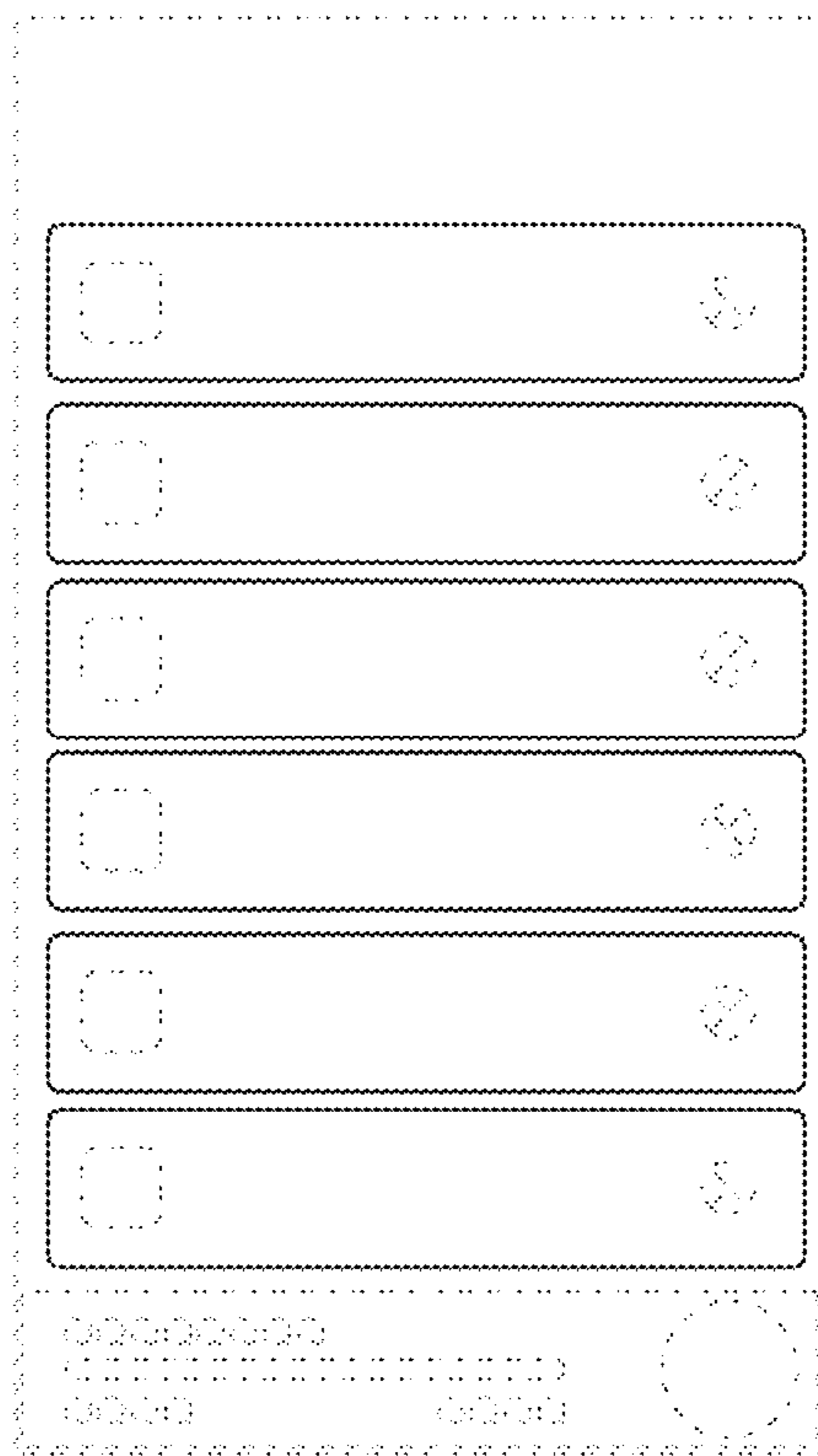


Figure 11