

US00D757734S

(12) **United States Design Patent**
Emami et al.

(10) **Patent No.:** **US D757,734 S**
(45) **Date of Patent:** **** May 31, 2016**

(54) **DATA ACCESSING DEVICE**

FOREIGN PATENT DOCUMENTS

(71) Applicant: **KINGSTON DIGITAL, INC.**, Fountain Valley, CA (US)

KR 3020030035000 10/2004
TW D158055 12/2013

(72) Inventors: **Arman Emami**, Fountain Valley, CA (US); **Feng-Sheng Lin**, Hsinchu (TW); **Yu-kuo Huang**, Hsinchu (TW); **Peter Leekuo Chou**, Fountain Valley, CA (US)

OTHER PUBLICATIONS

Office Action to the corresponding Taiwanese Patent Application rendered by the Taiwan Intellectual Property Office (TIPO) on Aug. 21, 2015, 13 pages (including English language summary).

(73) Assignee: **Kingston Digital, Inc.**, Fountain Valley, CA (US)

* cited by examiner

(**) Term: **14 Years**

Primary Examiner — Angela J Lee

(21) Appl. No.: **29/521,694**

(74) *Attorney, Agent, or Firm* — Skaar Ulbrich Macari, P.A.

(22) Filed: **Mar. 25, 2015**

(57) **CLAIM**

(51) **LOC (10) Cl.** **14-02**

We claim the ornamental design for a data accessing device, as shown and described.

(52) **U.S. Cl.**

USPC **D14/480.7**

(58) **Field of Classification Search**

USPC D14/435.1, 480.1–480.7, 411, 433, 436, D14/484.1, 137, 155, 203.1–203.8, 240, D14/242, 133, 154

CPC H05K 5/0278; G06K 19/07732
See application file for complete search history.

DESCRIPTION

(56) **References Cited**

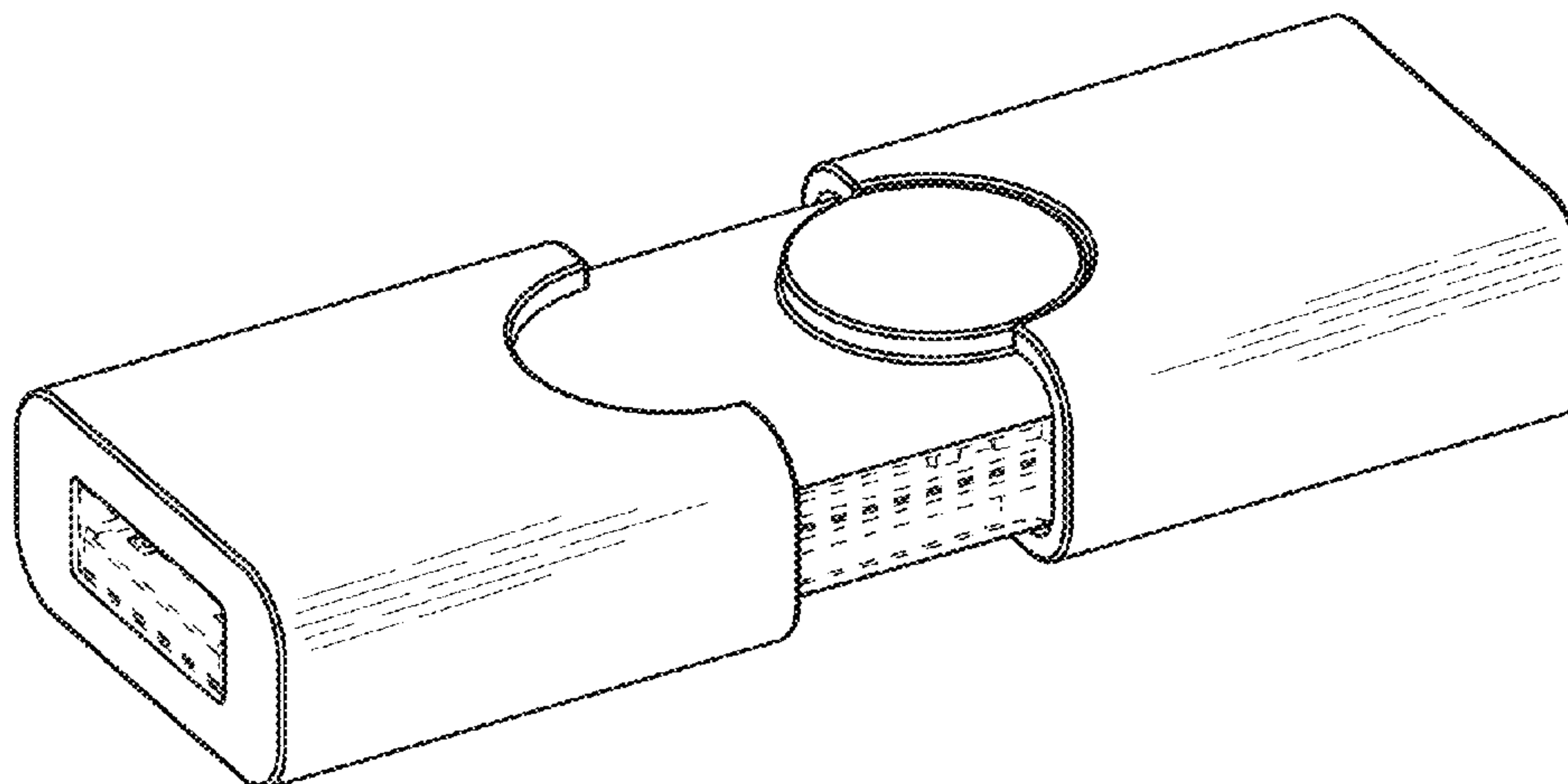
U.S. PATENT DOCUMENTS

D500,301 S *	12/2004	Deguchi	D14/480.4
D500,302 S *	12/2004	Deguchi	D14/480.4
D547,758 S *	7/2007	Ho	D14/480.7
D581,413 S *	11/2008	Kim	D14/480.7
D587,266 S *	2/2009	Deguchi	D14/480.7
D610,588 S *	2/2010	Chen	D14/480.7
D620,016 S *	7/2010	Lo	D14/480.6
D660,859 S *	5/2012	Lin	D14/480.7
D673,576 S *	1/2013	Lin	D14/480.7
D692,903 S *	11/2013	Lin	D14/480.7
D700,083 S *	2/2014	Brigham	D10/70
D706,277 S *	6/2014	Fukuoka	D14/480.1
D706,787 S *	6/2014	Emami	D14/480.7

FIG. 1 is a first perspective view of a data accessing device showing the claimed design;
FIG. 2 is another perspective view of the claimed design;
FIG. 3 is a further perspective view of the claimed design;
FIG. 4 is a front elevational view of FIG. 1;
FIG. 5 is a rear elevational view of FIG. 1;
FIG. 6 is a left side elevational view of FIG. 1;
FIG. 7 is a right side elevational view of FIG. 1;
FIG. 8 is a top plan view of FIG. 1;
FIG. 9 is a bottom plan view of FIG. 1;
FIG. 10 is a perspective view showing the data accessing device in a usage state; and,
FIG. 11 is another perspective view in the usage state of FIG. 10.

The broken lines are directed to environment and are provided for illustrative purpose only; the broken lines form no part of the claimed design.

1 Claim, 6 Drawing Sheets



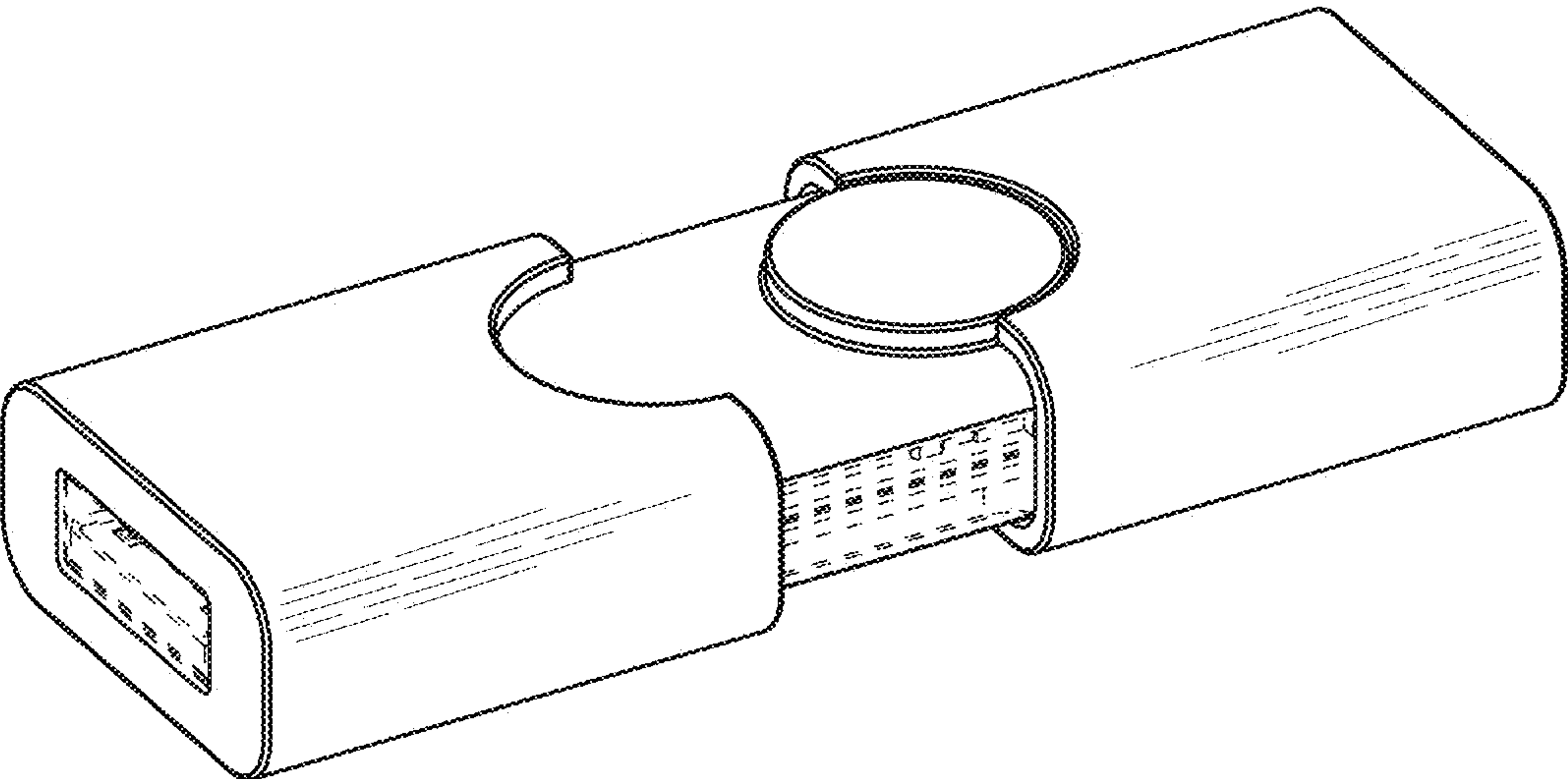


FIG. 1

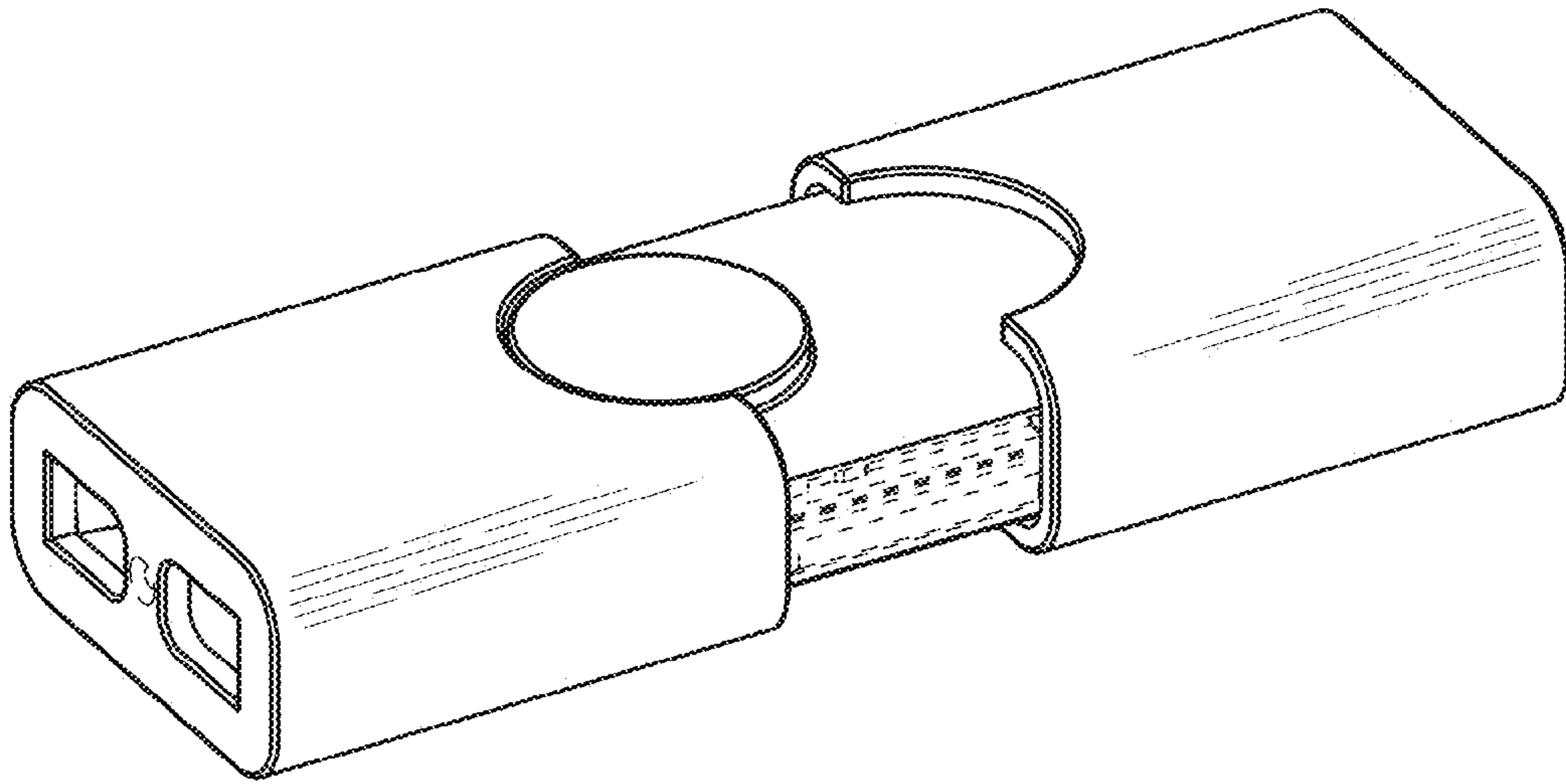


FIG. 2

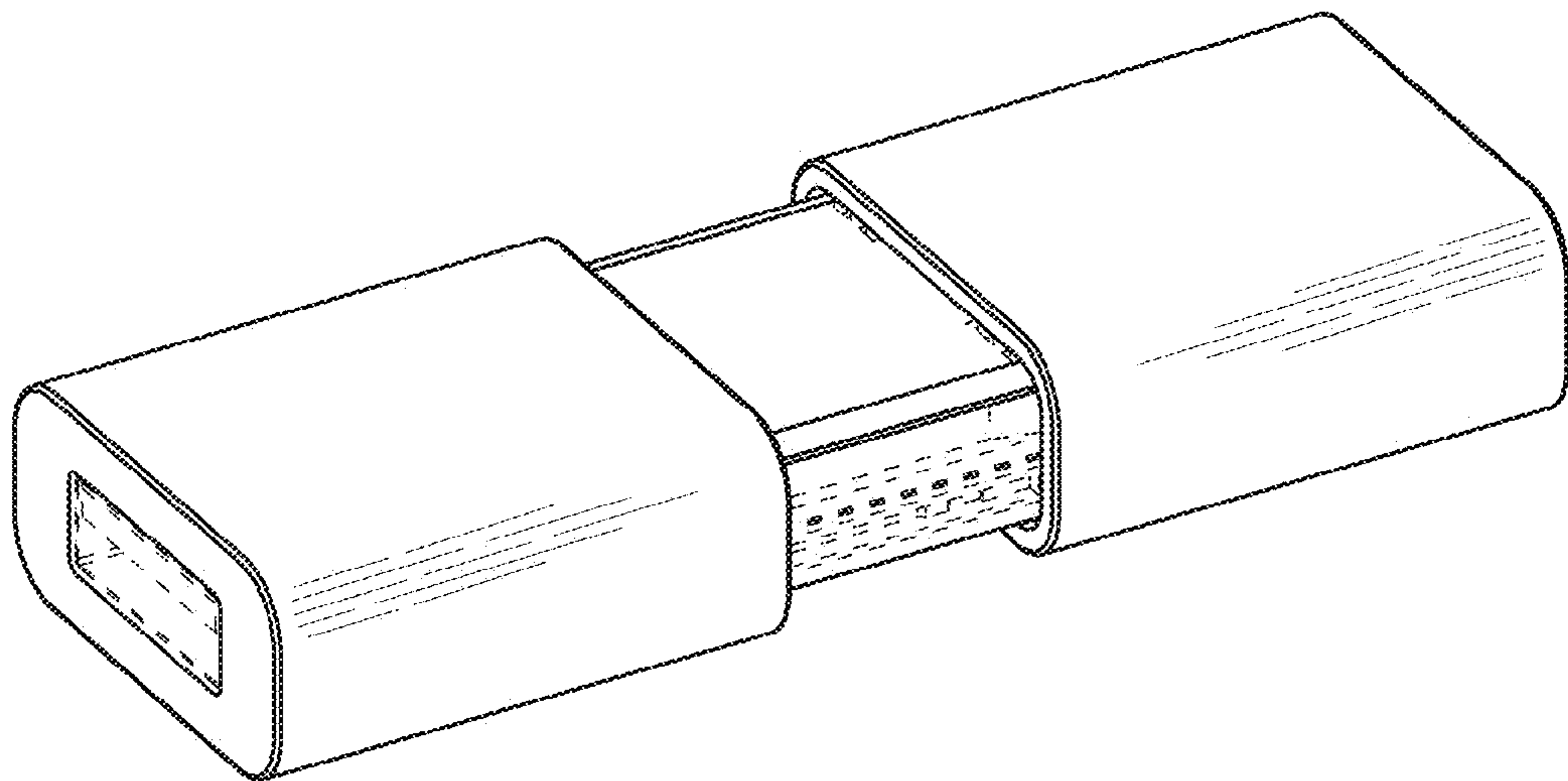


FIG. 3

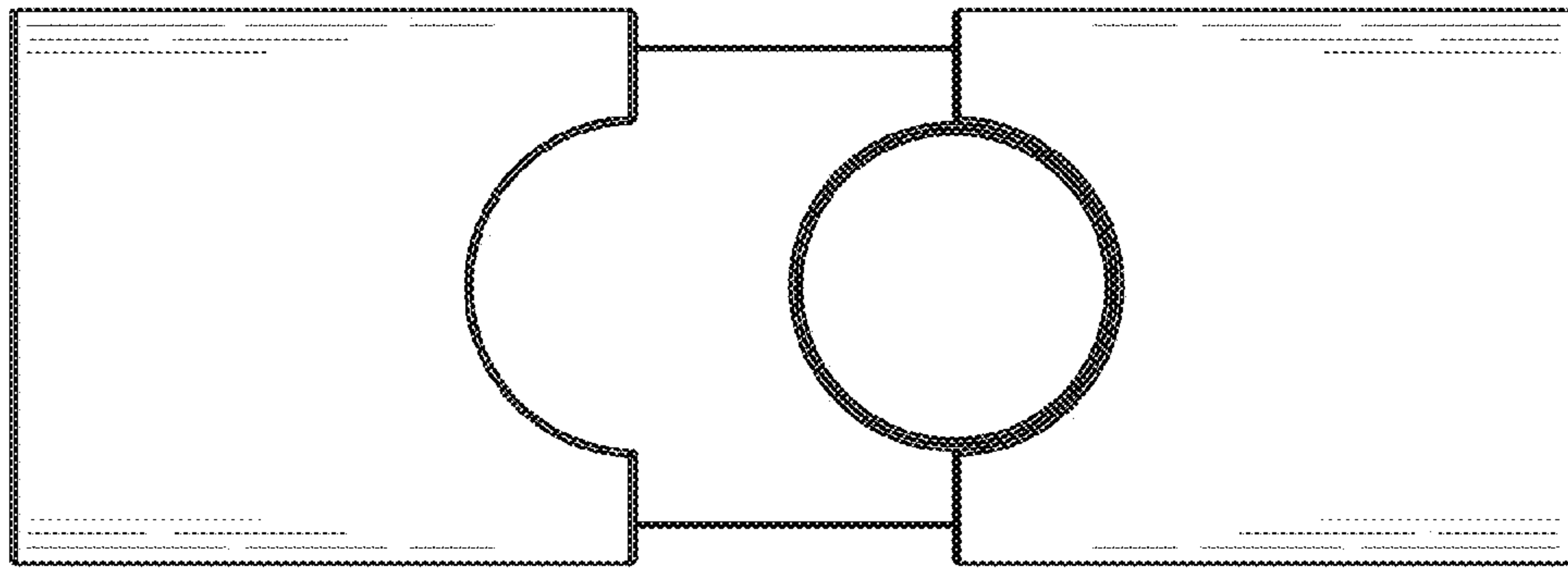


FIG. 4

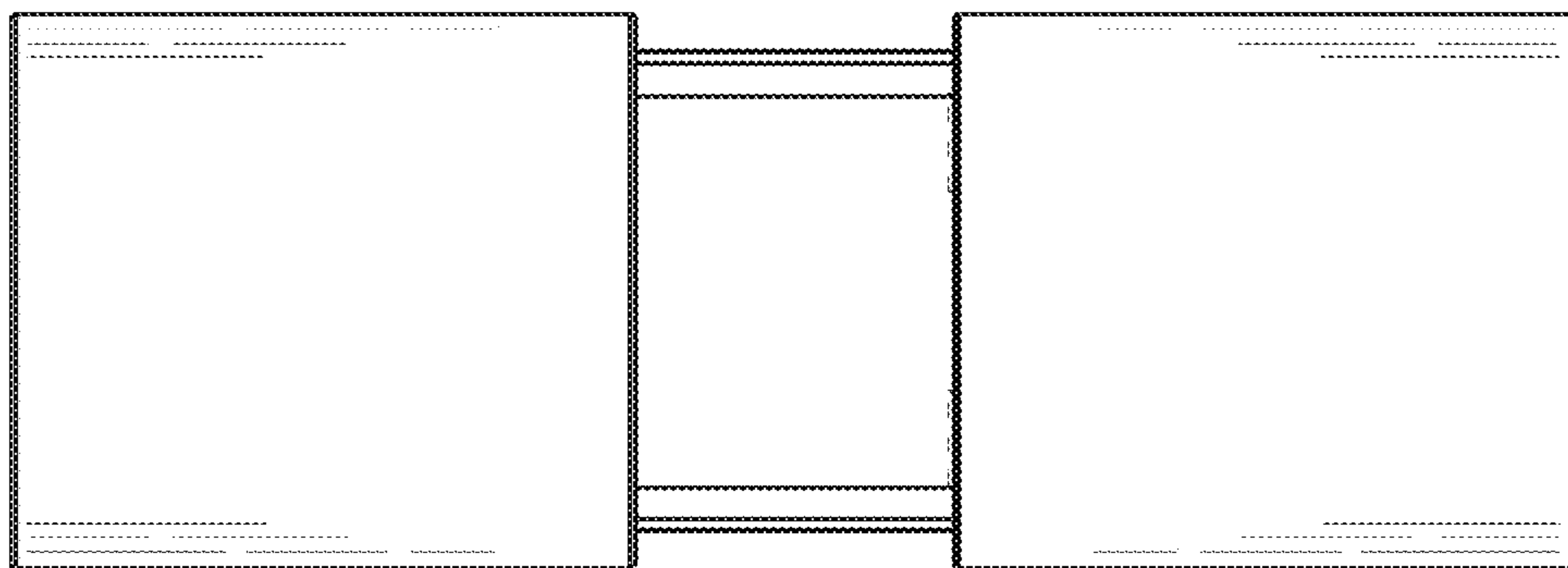


FIG. 5

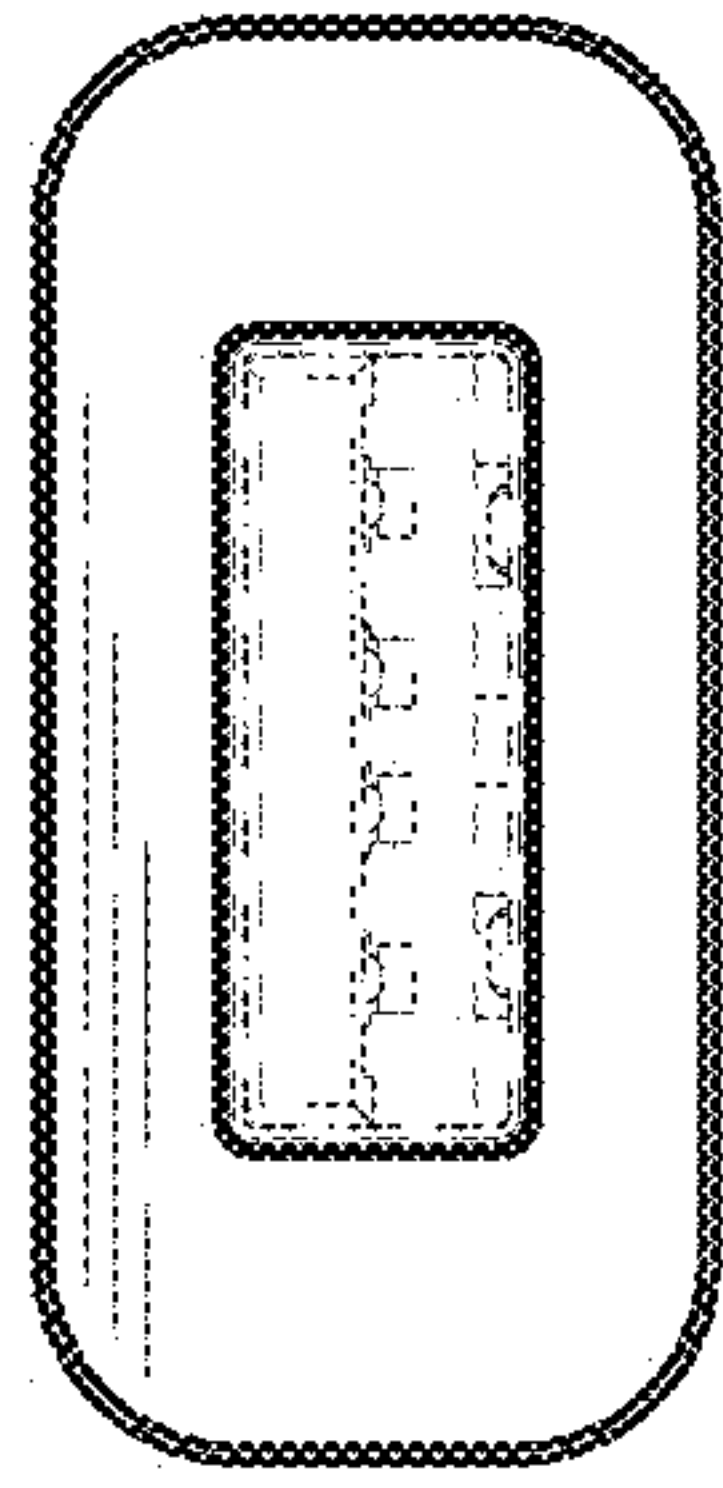


FIG. 6

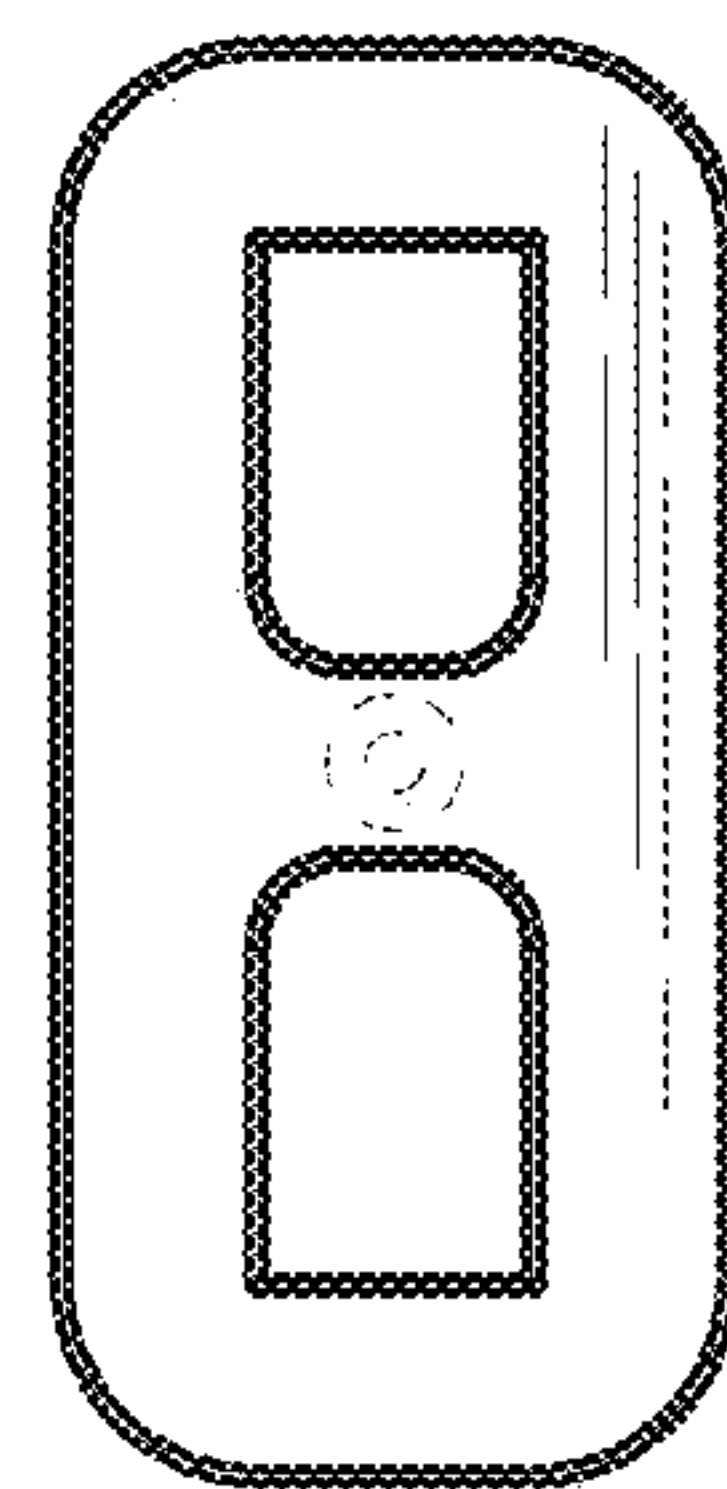


FIG. 7

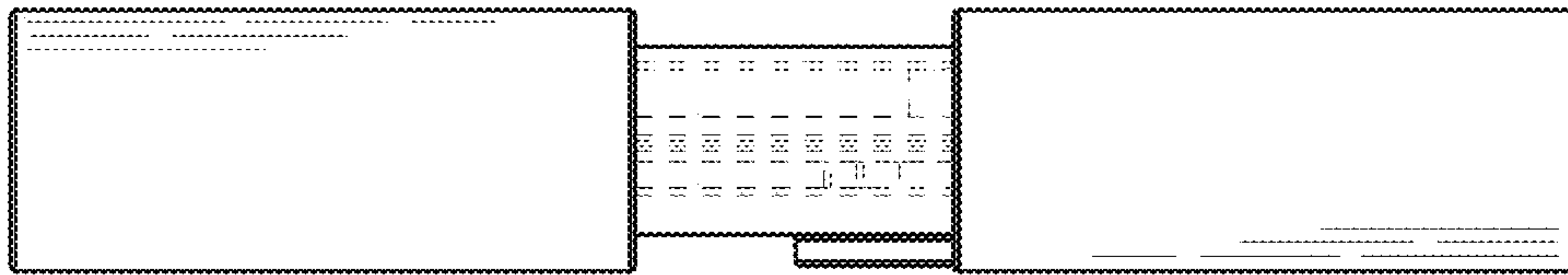


FIG. 8

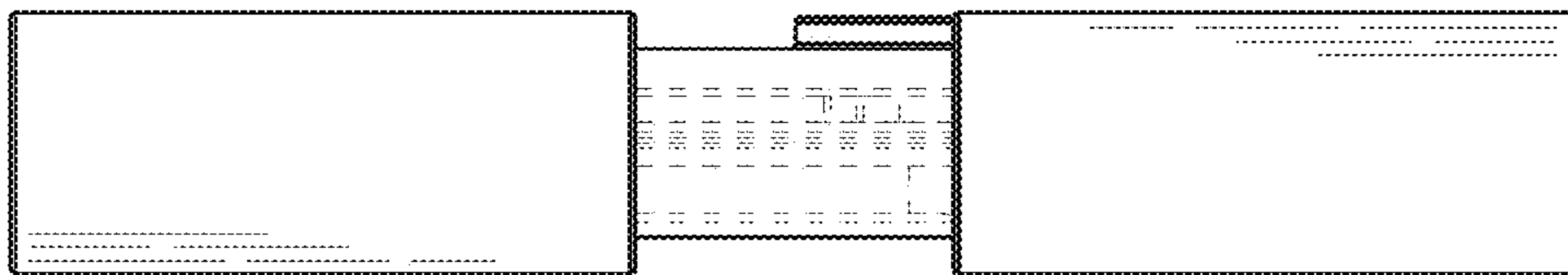


FIG. 9

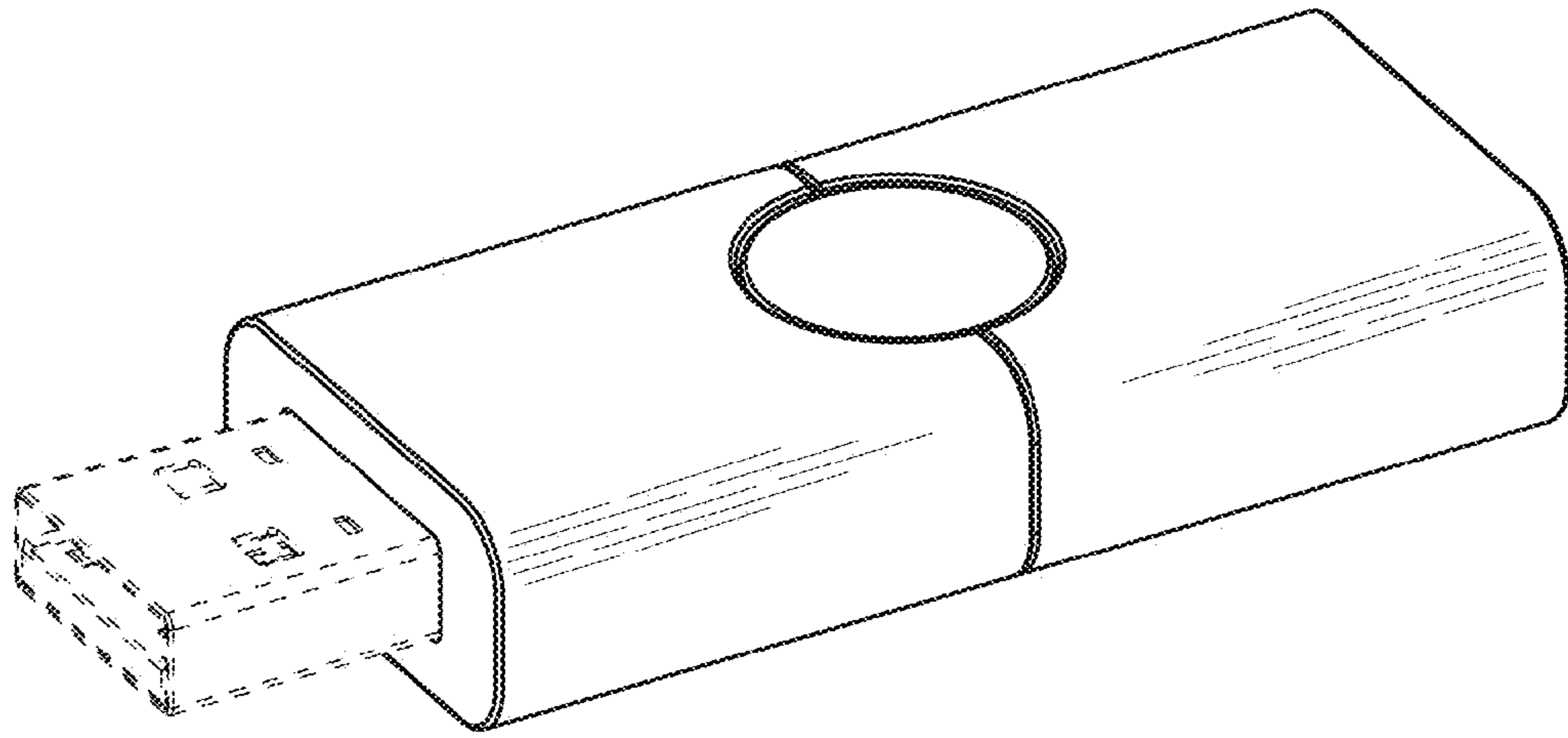


FIG. 10

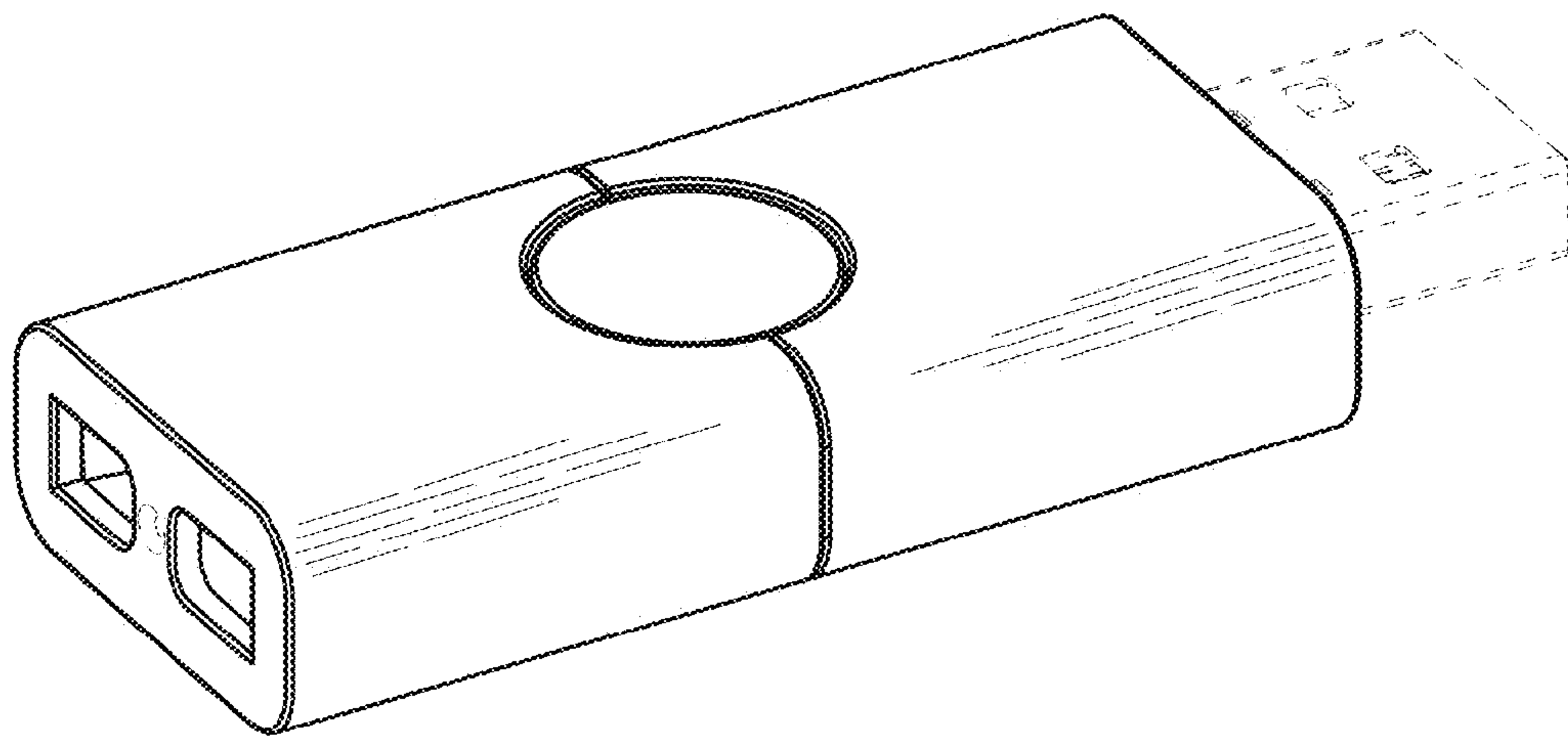


FIG. 11