



US00D757730S

(12) **United States Design Patent**
Fletcher et al.

(10) **Patent No.:** **US D757,730 S**
(45) **Date of Patent:** **** May 31, 2016**

(54) **DOCKING STATION FOR AN ELECTRONIC DEVICE**

(71) Applicant: **BlackBerry Limited**, Waterloo (CA)
(72) Inventors: **Jodie Elizabeth Fletcher**, Ottawa (CA);
Brian Dennis Paschke, Toronto (CA);
Joseph Michael Hofer, Kitchener (CA);
Leonardo Aldana, Waterloo (CA)
(73) Assignee: **BlackBerry Limited**, Waterloo, Ontario (CA)

(**) Term: **14 Years**

(21) Appl. No.: **29/511,298**

(22) Filed: **Dec. 9, 2014**

(51) **LOC (10) Cl.** **14-02**

(52) **U.S. Cl.**
USPC **D14/434**

(58) **Field of Classification Search**
USPC D14/432-434, 314, 204, 420, 421, 447,
D14/217, 358, 138 R, 140, 142, 253;
D13/107, 108, 146; D8/373;
248/346.03, 176.1; 361/679.41,
361/679.31, 679.32, 679.4, 679.43, 679.55,
361/679.58, 679.33; 320/107, 109,
320/112-115; 710/15, 303; 455/557;
439/347, 534
CPC H02J 7/0042; H02J 7/00; H01R 31/065;
H01M 10/44; F16M 11/10; G06F 1/1632
See application file for complete search history.

(56) **References Cited**

U.S. PATENT DOCUMENTS

D574,375 S *	8/2008	Prest	D14/217
D647,525 S *	10/2011	Seto	D14/434
D657,741 S *	4/2012	Fahrendorff	D13/108
D661,309 S *	6/2012	Murrer	D14/447
D672,350 S *	12/2012	Gioscia	D14/434
D676,832 S *	2/2013	Akana	D14/217
D704,633 S *	5/2014	Ryu	D13/108
2008/0219488 A1 *	9/2008	Crooijmans	G06F 1/1632 381/333

* cited by examiner

Primary Examiner — Freda S Nunn

(74) *Attorney, Agent, or Firm* — Jon Gibbons; Fleit Gibbons
Gutman Bongini & Bianco P.L.

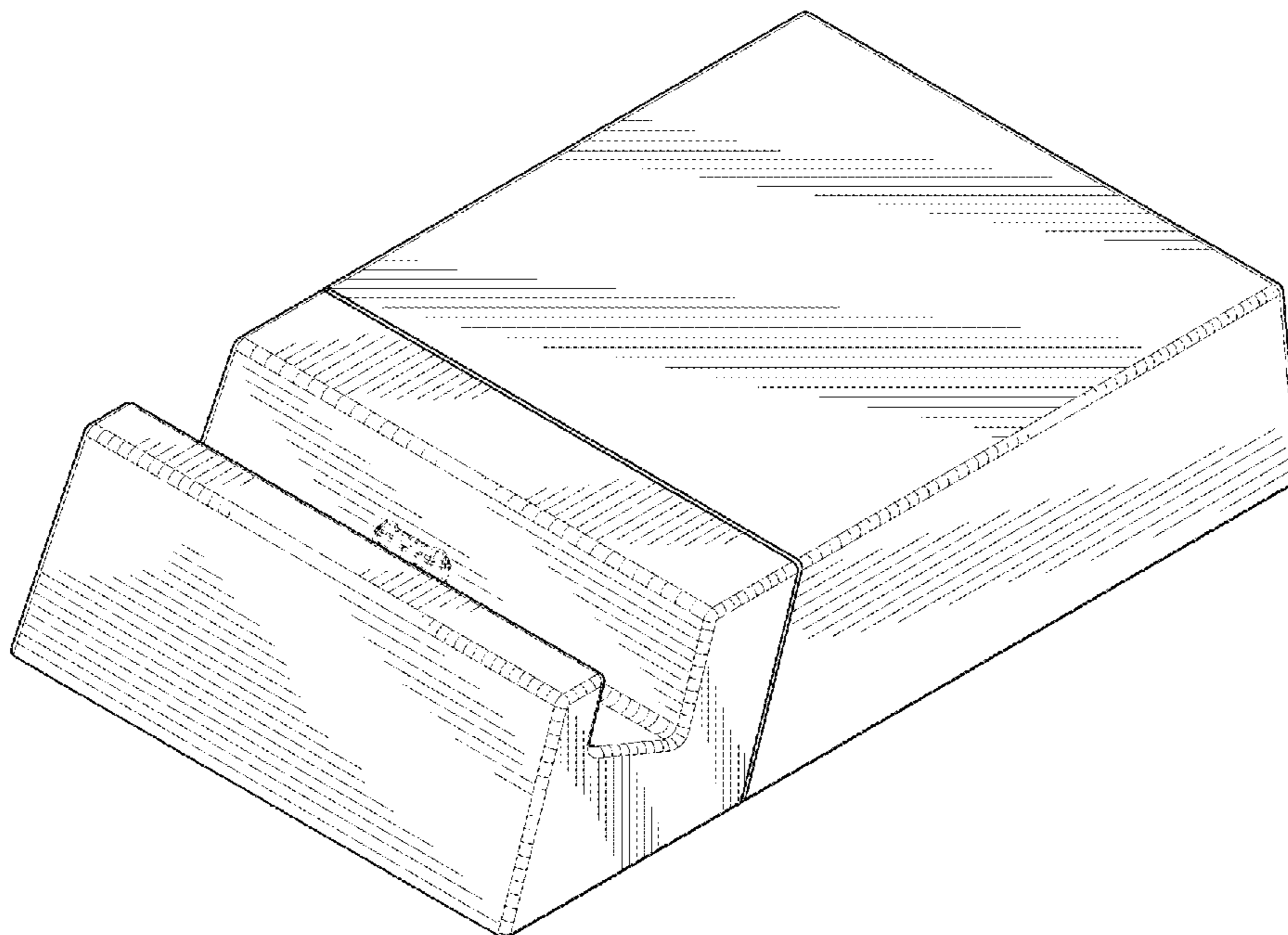
(57) **CLAIM**

The ornamental design for a docking station for an electronic device, as shown and described.

DESCRIPTION

FIG. 1 is a top perspective view of the docking station for an electronic device;
FIG. 2 is bottom perspective view thereof;
FIG. 3 is a front elevation view thereof;
FIG. 4 is a rear elevation view thereof;
FIG. 5 is a first side elevation view thereof;
FIG. 6 is a second side elevation view thereof;
FIG. 7 is a top plan view thereof; and,
FIG. 8 is a bottom plan view thereof.
Broken lines shown in the Figures form no part of the claimed design.

1 Claim, 6 Drawing Sheets



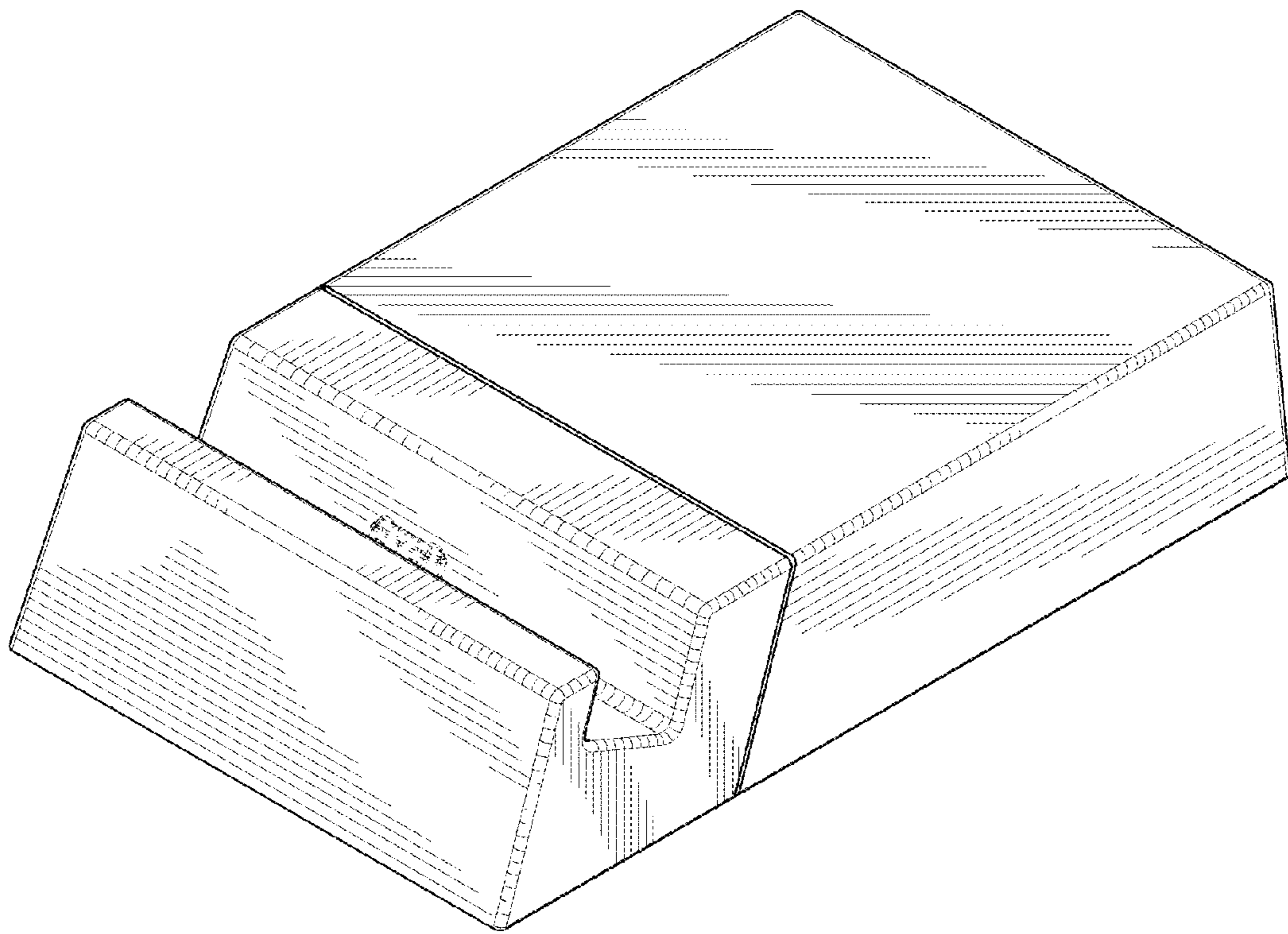


FIG.1

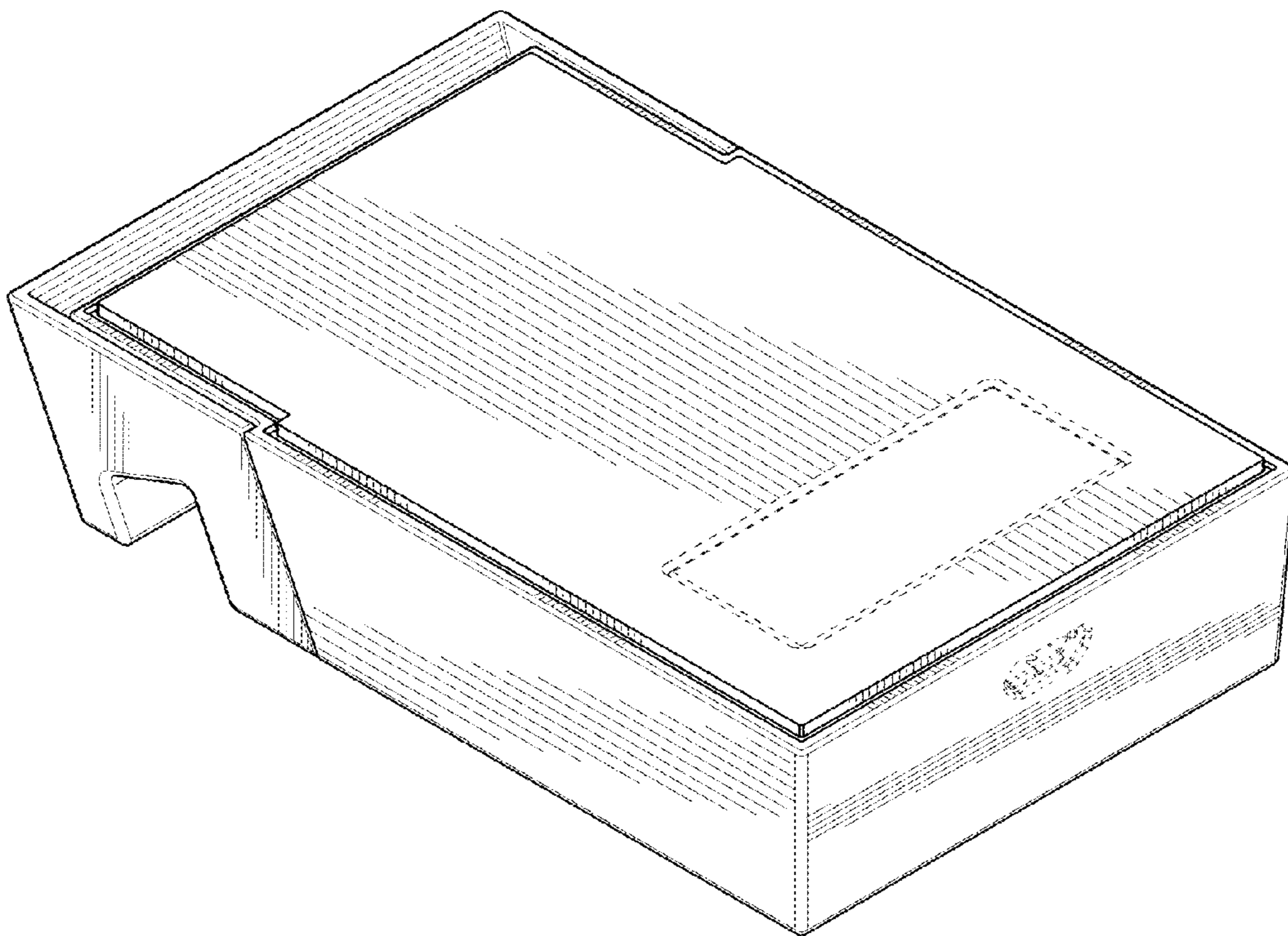


FIG.2

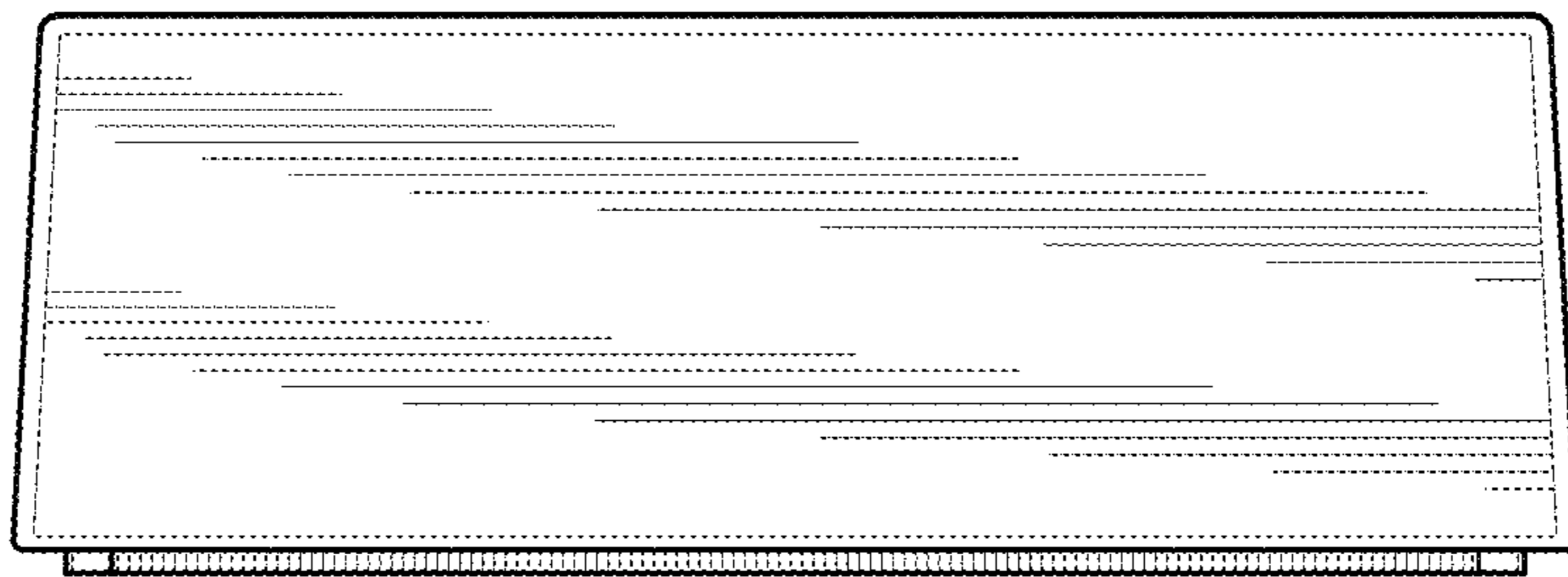


FIG.3

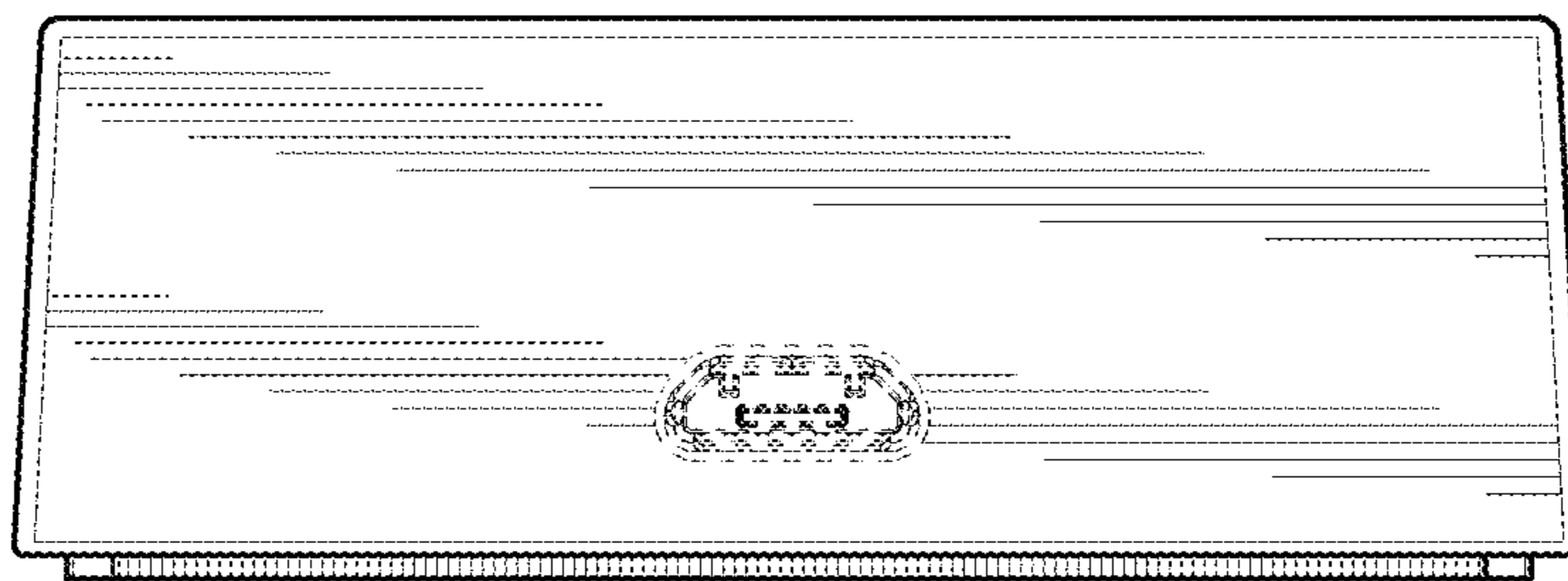


FIG.4

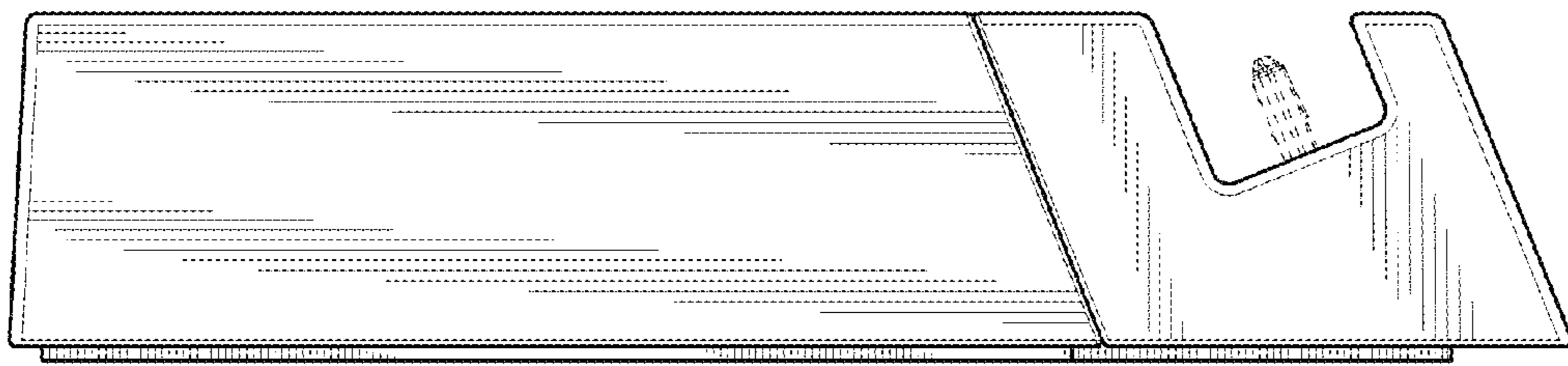


FIG. 5

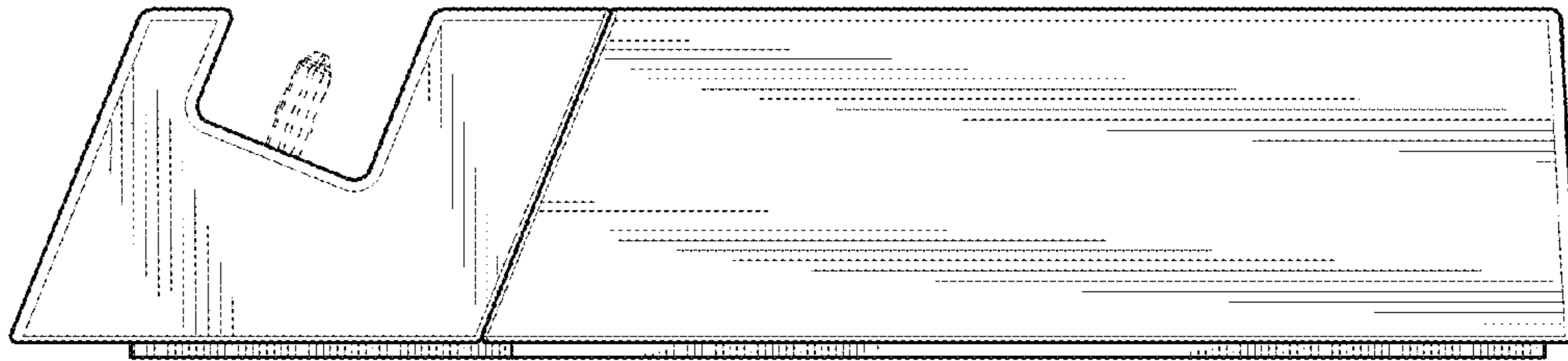


FIG. 6

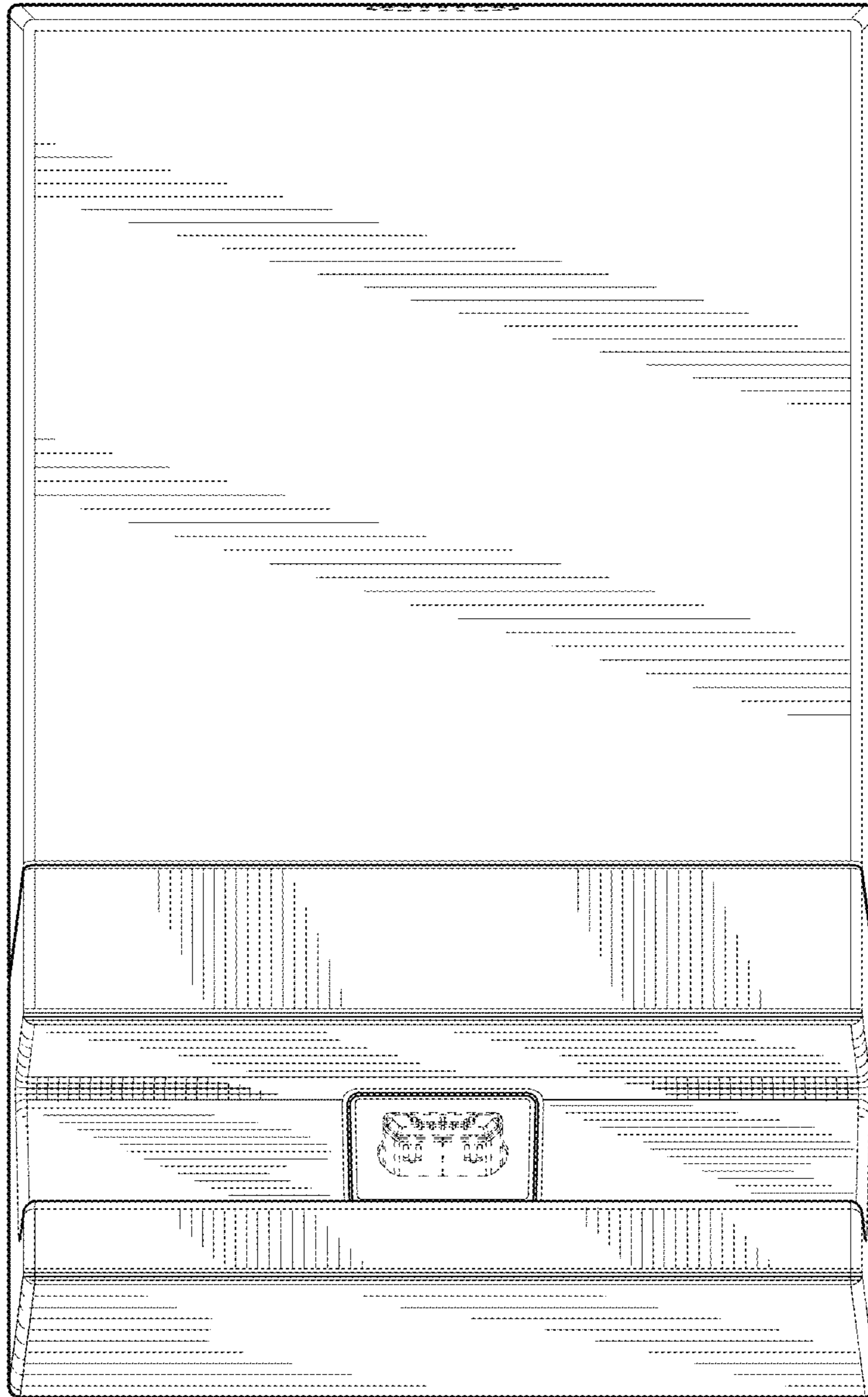


FIG.7

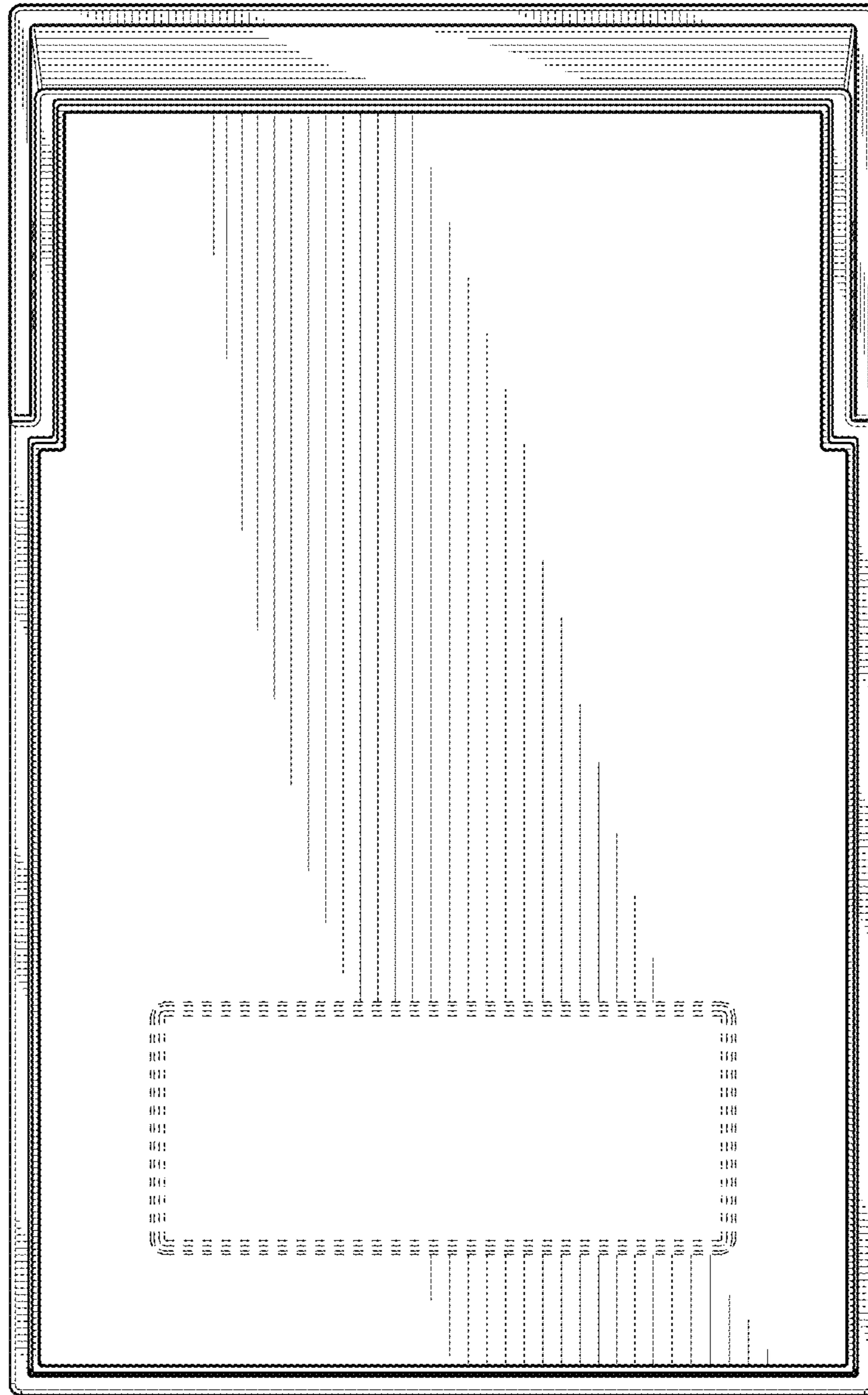


FIG.8