

US00D757729S

(12) **United States Design Patent**
Schoeck et al.

(10) **Patent No.:** **US D757,729 S**

(45) **Date of Patent:** **** May 31, 2016**

(54) **ELECTRONIC MOUSE**

(71) Applicant: **Microsoft Corporation**, Redmond, WA (US)

(72) Inventors: **Kaitlyn Schoeck**, Seattle, WA (US);
Katherine Bailey, Seattle, WA (US);
Hua Wang, Sammamish, WA (US)

(73) Assignee: **Microsoft Corporation**, Redmond, WA (US)

(**) Term: **14 Years**

(21) Appl. No.: **29/526,650**

(22) Filed: **May 12, 2015**

(51) **LOC (10) Cl.** **14-02**

(52) **U.S. Cl.**
USPC **D14/407**

(58) **Field of Classification Search**
USPC D14/402-411, 356, 388, 389, 383-385,
D14/417, 426; 345/156-167; 463/36-38;
358/471, 473; 273/148 B
CPC G06F 3/03543; G06F 2203/0333;
G06F 3/039; G06F 3/038; G06F 2203/0384
See application file for complete search history.

(56) **References Cited**

U.S. PATENT DOCUMENTS

D527,731 S *	9/2006	Lee	D14/402
D534,535 S *	1/2007	Tzeng	D14/407
D545,822 S *	7/2007	Murakami	D14/402
D580,938 S *	11/2008	Simonian	D14/402
D590,399 S *	4/2009	Chen	D14/402

D591,749 S *	5/2009	Huang	D14/402
D606,046 S *	12/2009	Bradford	D14/218
D616,888 S *	6/2010	Chen	D14/407
D621,837 S *	8/2010	Ho	D14/407
D635,570 S *	4/2011	Kujawski	D14/402
D643,429 S *	8/2011	Ferwerda	D14/407
D647,093 S *	10/2011	Kim	D14/407
D672,753 S *	12/2012	Kadivar	D14/218
D685,791 S *	7/2013	Widiaman	D14/402
D689,494 S *	9/2013	Widiaman	D14/408
D712,381 S *	9/2014	Hwang	D14/218
D715,801 S *	10/2014	Lee	D14/407
D726,727 S *	4/2015	Holz	D14/407

* cited by examiner

Primary Examiner — Austin Murphy

(74) *Attorney, Agent, or Firm* — Banner & Witcoff, Ltd.

(57) **CLAIM**

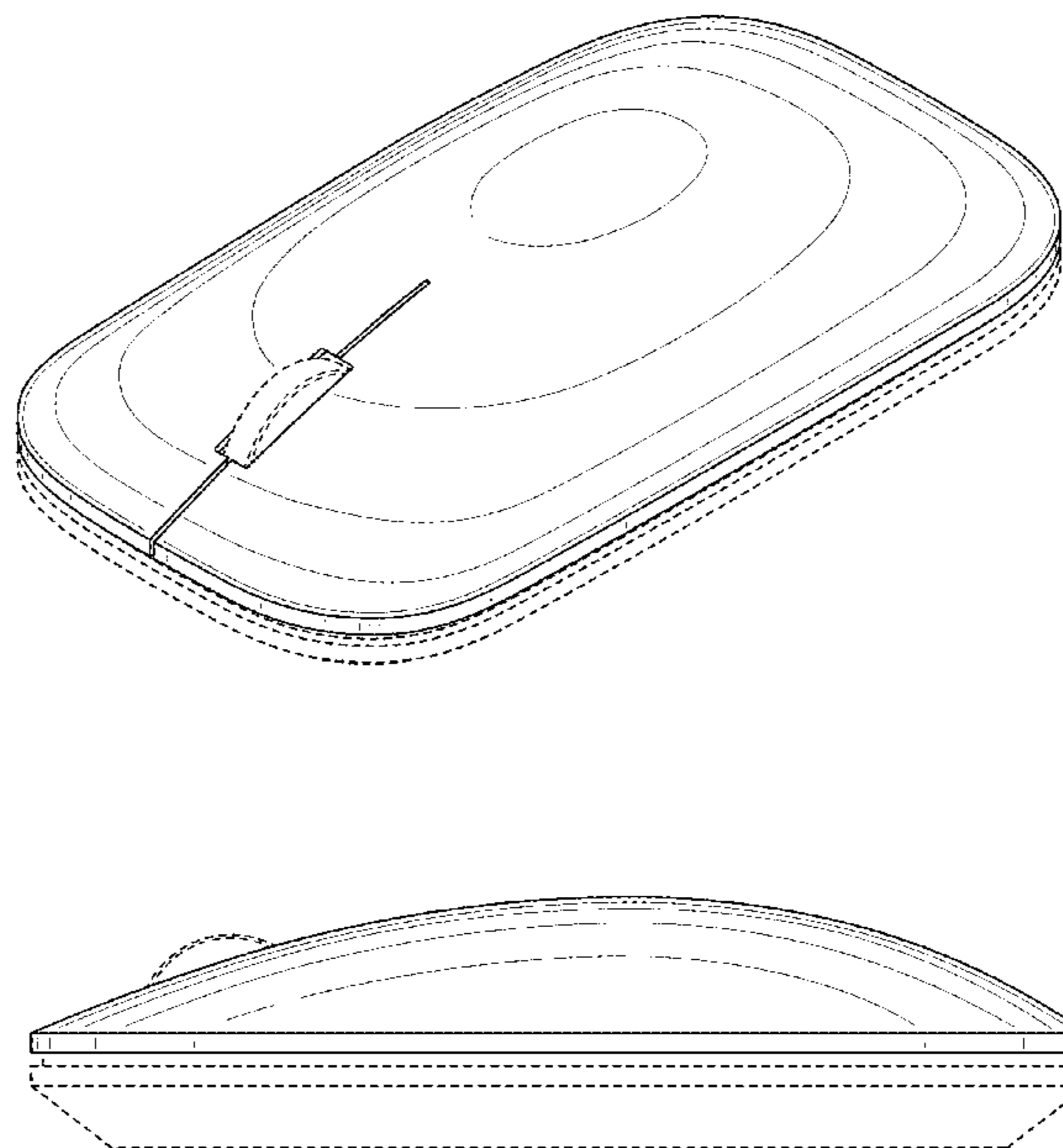
The ornamental design for an electronic mouse, as shown and described.

DESCRIPTION

FIG. 1 is a perspective view of an electronic mouse showing our new design;
FIG. 2 is a top view thereof;
FIG. 3 is a left side view thereof;
FIG. 4 is a right side view thereof;
FIG. 5 is a front view thereof;
FIG. 6 is a rear thereof; and,
FIG. 7 is a bottom view thereof.

The broken line showing of the various unshaded regions in the figures is for environmental purposes only and forms no part of the claimed design.

1 Claim, 5 Drawing Sheets



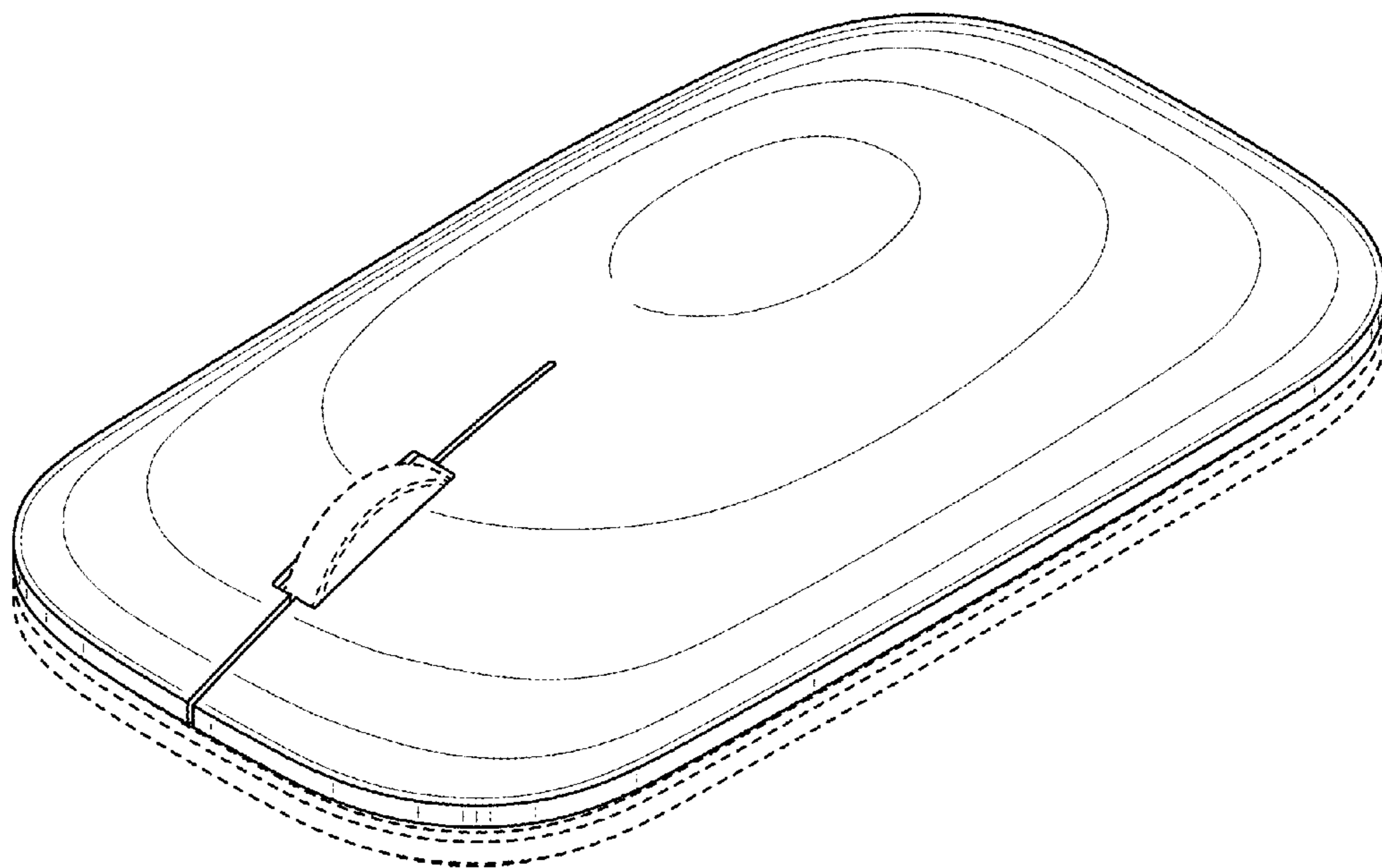


FIG. 1

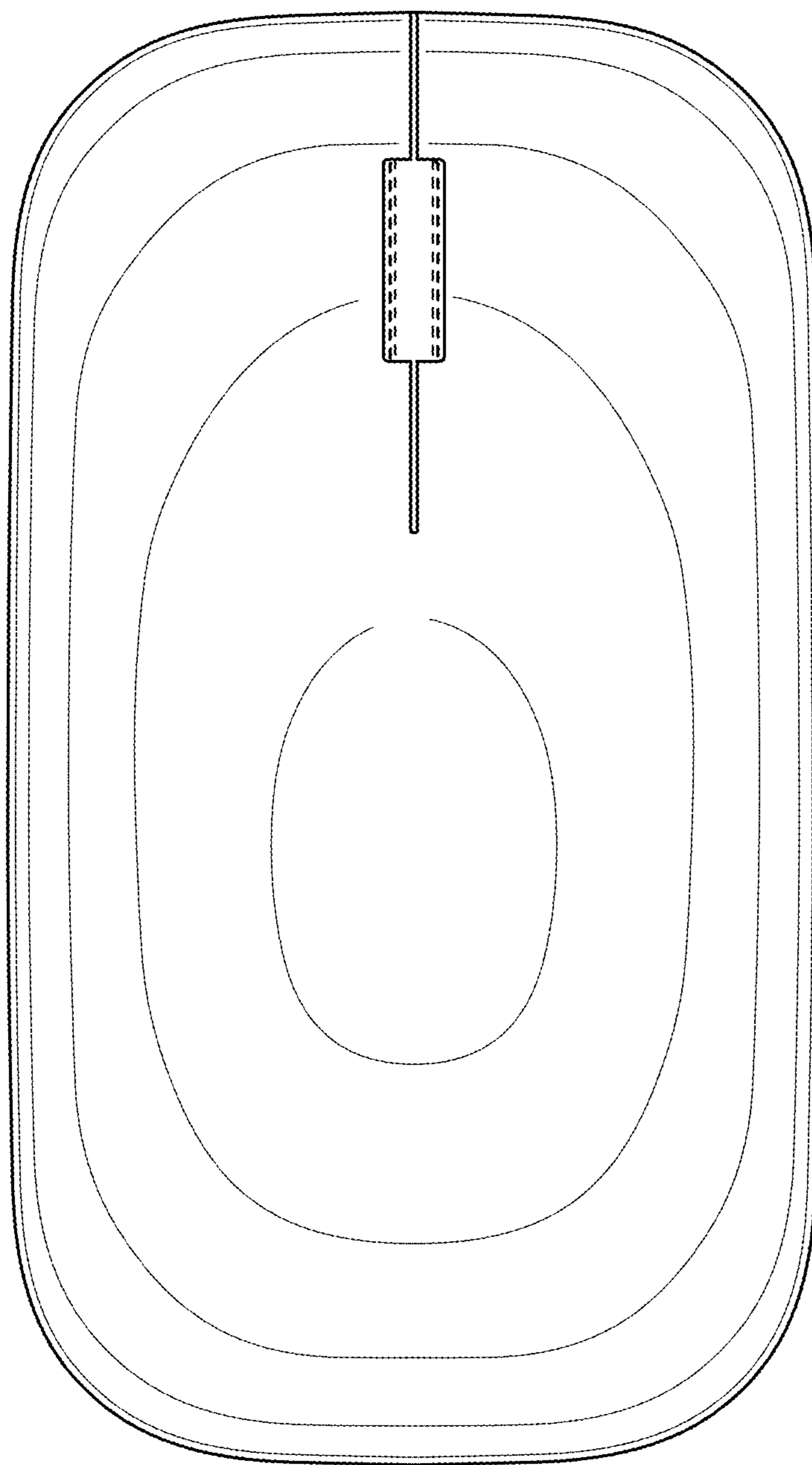


FIG. 2

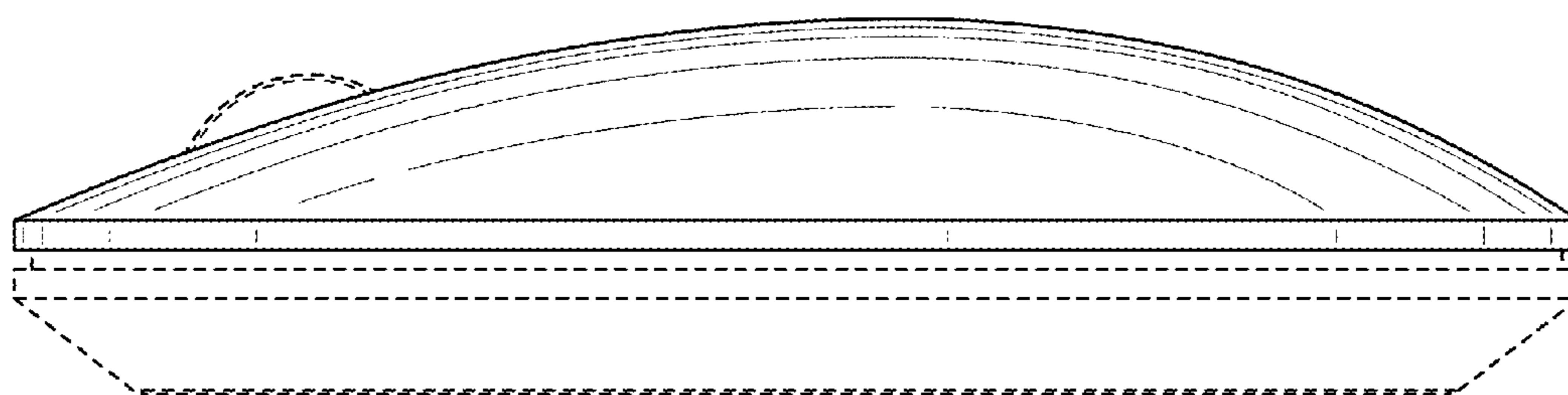


FIG. 3

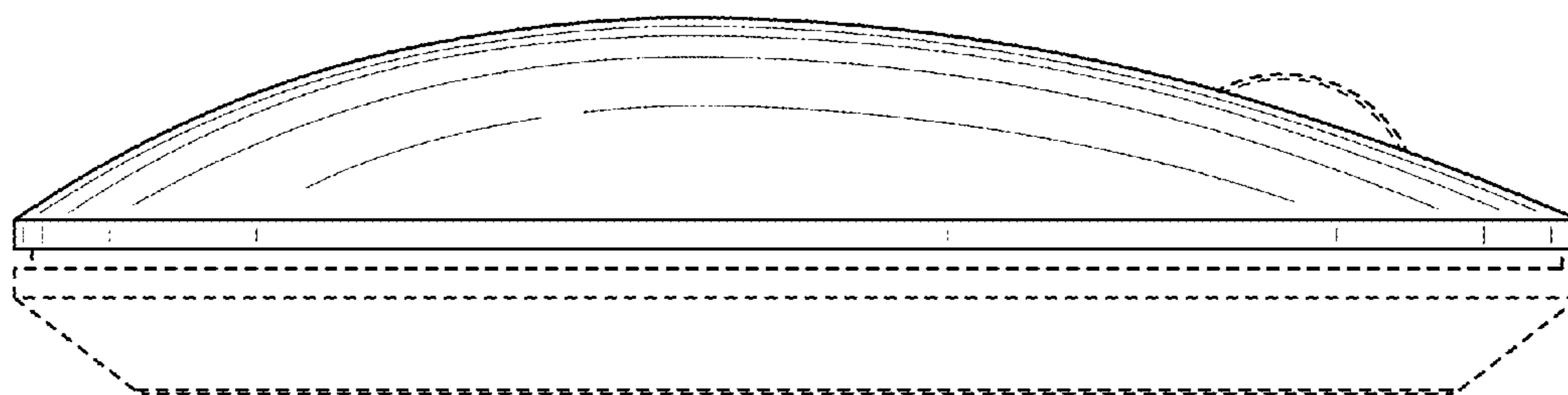


FIG. 4

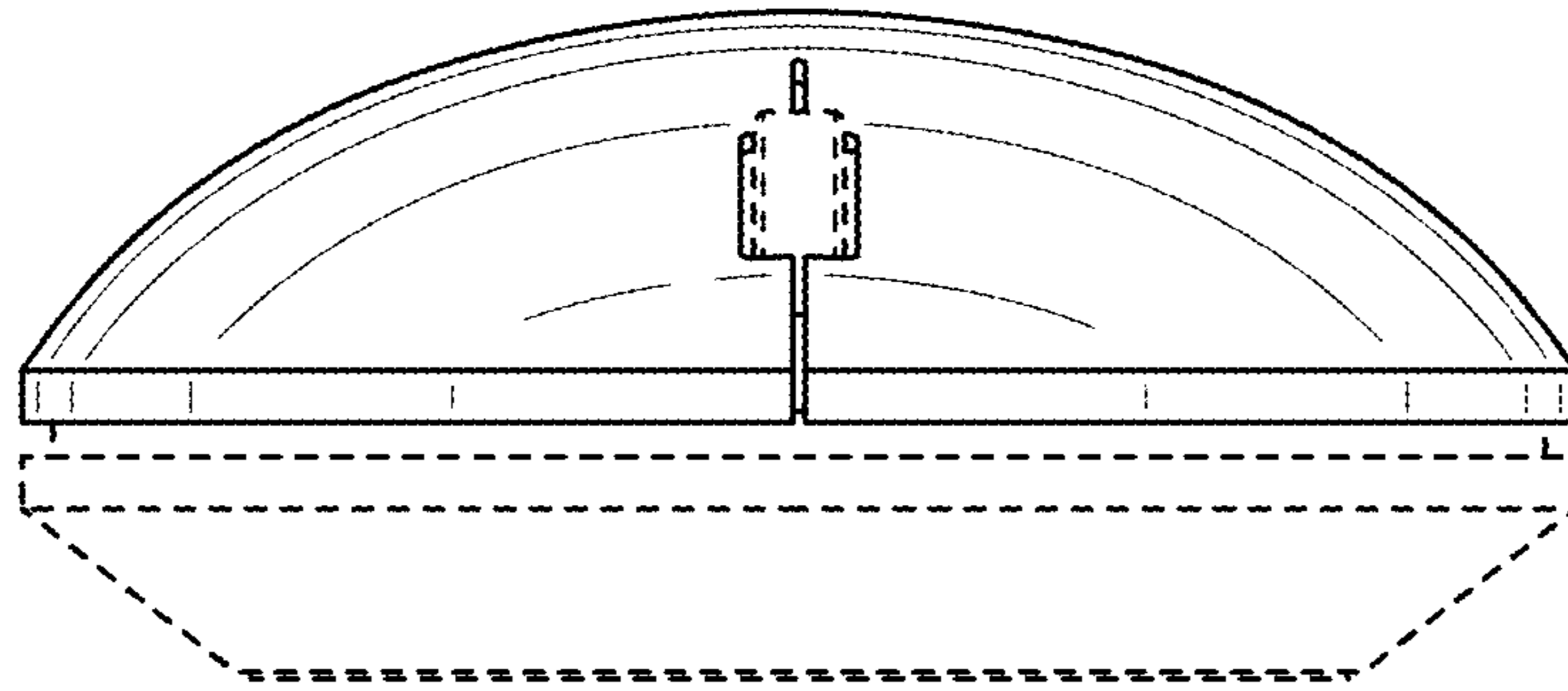


FIG. 5

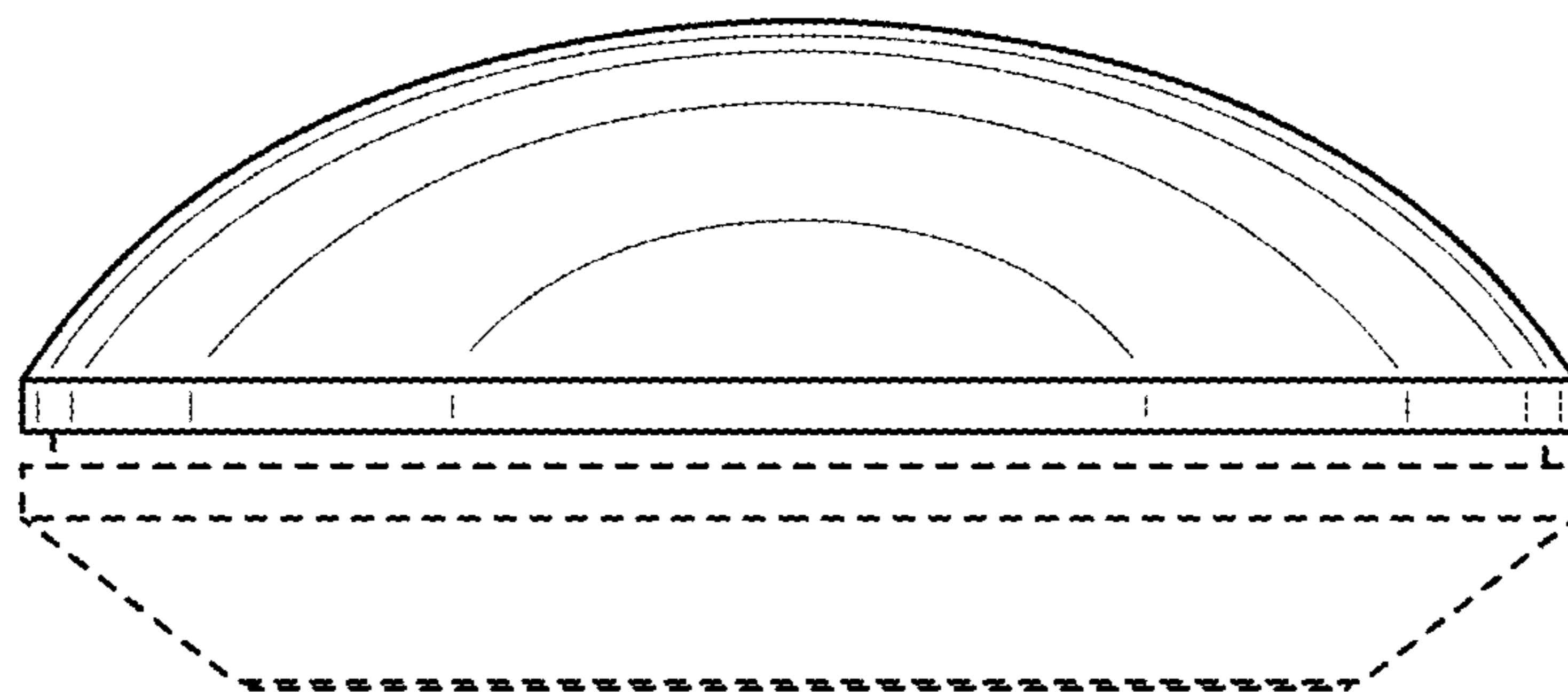


FIG. 6

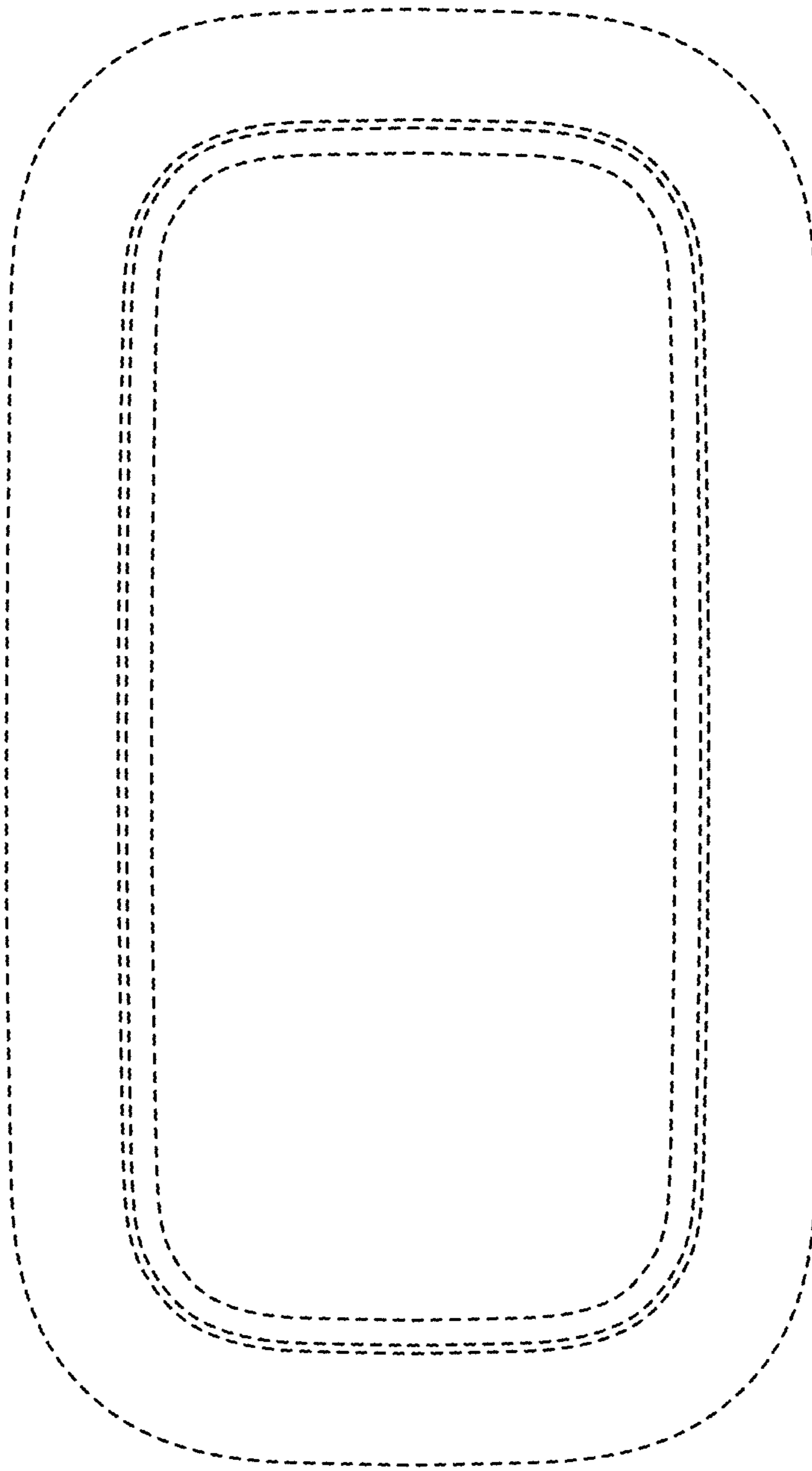


FIG. 7