



US00D757727S

(12) **United States Design Patent**
Ozolins et al.

(10) **Patent No.:** **US D757,727 S**
(45) **Date of Patent:** **** May 31, 2016**

(54) **FLAT PANEL DISPLAY**

FOREIGN PATENT DOCUMENTS

(71) Applicant: **Bloomberg Finance L.P.**, New York, NY (US)

DE 29702104 U1 4/1997
JP H10502750 A 3/1998

(72) Inventors: **Helmars E. Ozolins**, Orient, NY (US); **Roland L. Dema-Ala**, New York, NY (US); **Avram N. Kaufman**, New York, NY (US); **Masamichi Udagawa**, New York, NY (US); **Sigrig G. Moeslinger**, New York, NY (US); **Peter D. Scott**, Romulus, NY (US)

(Continued)

OTHER PUBLICATIONS

(73) Assignee: **Bloomberg Finance L.P.**, New York, NY (US)

Search Report issued in corresponding Taiwanese Application No. 102304311 dated Apr. 9, 2015.

(Continued)

(**) Term: **14 Years**

Primary Examiner — Freda S Nunn

(21) Appl. No.: **29/501,711**

(74) *Attorney, Agent, or Firm* — Chiesa Shahinian & Giantomasi PC

(22) Filed: **Sep. 8, 2014**

(57) **CLAIM**

The ornamental design for a flat panel display, as shown and described.

Related U.S. Application Data

DESCRIPTION

(62) Division of application No. 29/440,550, filed on Dec. 21, 2012, now Pat. No. Des. 715,799.

(51) **LOC (10) Cl.** **14-02**

(52) **U.S. Cl.**
USPC **D14/374**

(58) **Field of Classification Search**
USPC D14/371–375, 125–129, 336, 337, 341;
341/12; 345/104, 156, 168, 173;
348/180, 184, 325, 739; 349/1, 2, 11,
349/62; 361/679.05–679.07, 679.21;
D6/300, 308
CPC G06F 1/16; G06F 1/1601; G06F 3/037;
G06F 1/162; G02F 1/13452; G02F 1/1333;
F16M 11/04

See application file for complete search history.

(56) **References Cited**

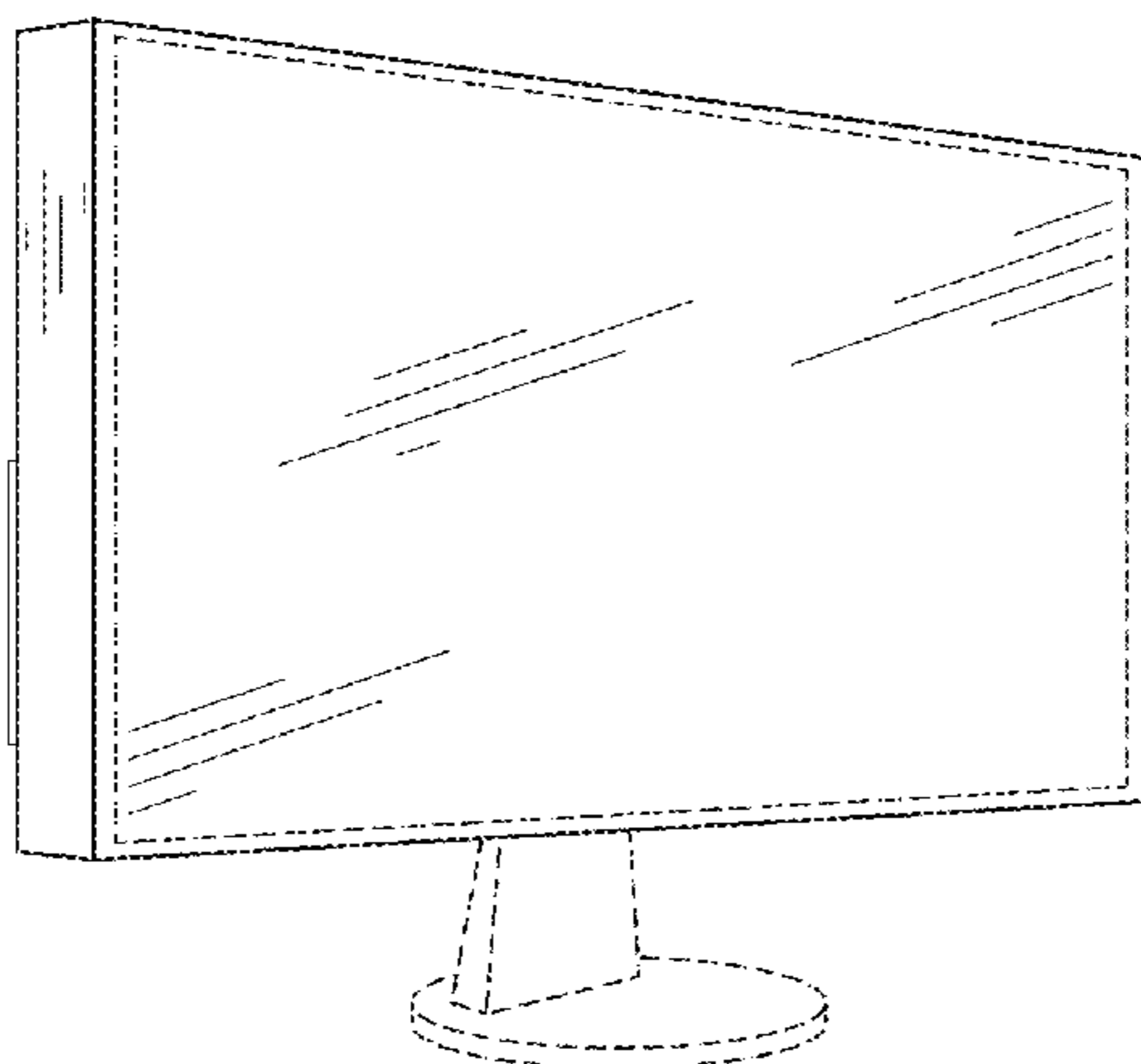
U.S. PATENT DOCUMENTS

5,900,848 A 5/1999 Haneda et al.
D422,575 S 4/2000 Tikhonski

(Continued)

FIG. 1 is a front perspective view of our design for a frameless electronic flat panel display;
FIG. 2 is a top view thereof;
FIG. 3 is a front view thereof;
FIG. 4 is a bottom view thereof;
FIG. 5 is a rear view thereof;
FIG. 6 is a left side view thereof;
FIG. 7 is a right side view thereof;
FIG. 8 is a bottom view of a second embodiment of our design, in which the front perspective, top, front, rear, left side, and right side views are the same as those in FIG. 1, FIG. 2, FIG. 3, FIG. 5, FIG. 6, and FIG. 7, respectively; and,
FIG. 9 is a rear view of a third embodiment of our design, in which the front perspective, top, front, bottom, left side, and right side views are the same as those in FIG. 1, FIG. 2, FIG. 3, FIG. 4, FIG. 6, and FIG. 7, respectively.
The stand represented by broken lines in FIGS. 1-9 is shown for environment only, and forms no part of the claimed design, and the broken lines shown in FIGS. 1 and 3 that are immediately surrounding the oblique lines are for the purpose of illustrating portions of the display panel.

1 Claim, 4 Drawing Sheets



(56)

References Cited

U.S. PATENT DOCUMENTS

D424,068 S * 5/2000 Takemasa D14/126
 6,265,986 B1 * 7/2001 Oka G02F 1/13452
 340/815.52
 6,561,668 B2 5/2003 Katayama et al.
 D492,684 S 7/2004 Ozolins et al.
 D496,362 S 9/2004 Ozolins et al.
 D496,363 S 9/2004 Ozolins et al.
 D497,362 S 10/2004 Wang et al.
 D497,364 S * 10/2004 Ozolins D14/374
 6,919,678 B2 7/2005 Ozolins et al.
 6,985,356 B2 1/2006 Wang
 D531,631 S 11/2006 Andre et al.
 7,298,076 B2 * 11/2007 Ozolins G02F 1/1333
 220/2.1 R
 D572,677 S * 7/2008 Niitsu D14/126
 7,436,657 B2 10/2008 Motai et al.
 7,549,246 B2 6/2009 Kuo
 D598,917 S 8/2009 Luber
 D601,143 S * 9/2009 Oikawa D14/336
 7,607,620 B2 10/2009 Ozolins et al.
 D608,315 S 1/2010 Mitsuhashi
 7,640,866 B1 1/2010 Schermerhorn
 D609,658 S 2/2010 Kim et al.
 D614,871 S * 5/2010 Tang D14/371
 7,731,143 B2 6/2010 Muday et al.
 7,760,493 B2 7/2010 Liou et al.
 D628,199 S * 11/2010 Yukikado D14/371
 7,876,568 B2 1/2011 Chikazawa et al.
 7,889,484 B2 2/2011 Choi
 D634,722 S 3/2011 Kim et al.
 7,959,311 B2 6/2011 Li et al.
 D641,721 S 7/2011 Moscovitch et al.
 8,047,490 B2 11/2011 Xing
 D667,008 S * 9/2012 Oikawa D14/374
 2002/0011544 A1 * 1/2002 Bosson F16M 11/04
 248/121
 2006/0164378 A1 7/2006 Phillips et al.

2007/0159778 A1 7/2007 Lin et al.
 2008/0123266 A1 5/2008 Hung
 2009/0040703 A1 2/2009 Gotham et al.
 2009/0096941 A1 4/2009 Chen
 2009/0231797 A1 9/2009 Kim
 2009/0257136 A1 10/2009 Liu
 2010/0146766 A1 6/2010 Dabov et al.
 2011/0164365 A1 7/2011 McClure et al.
 2011/0291955 A1 12/2011 Tang et al.

FOREIGN PATENT DOCUMENTS

JP D1355781 4/2009
 TW 201142424 A 12/2011

OTHER PUBLICATIONS

Chris Martin, *AOC launches its Touch Monitor e2239fwt*, the Inquirer (Thursday, Jun. 23, 2011, 17:41) theinquirer.net/inquirer/news/2081325/aoc-launches-touch-monitor-e2239fwt Retrieved Dec. 7, 2011.
 Oleg Artamonov, *Samsung SyncMaster SA950 Monitor: 3D Beauty*. p. 2, Xbit Laboratories (Jun. 30, 2011 02:50 PM), www.xbitlabs.com/articles/monitors/display/samsung-sa950_2.html Retrieved Dec. 7, 2011.
 Acer, *Acer S273HL bmii 27" Full HD LED Monitor*, Amazon.com/Acer-S273HL-bmii-Full-Monitor/dp/B00439563A, Retrieved Dec. 7, 2011.
 AOPEN, Modt 46 Digital Signage Display, <http://aopen.jp/products/display/DSD46-VE>, Retrieved Mar. 13, 2014.
 Search Report issued in corresponding Taiwanese Application No. 103306639 dated Jun. 23, 2015.
 Office Action issued on Feb. 2, 2016 and mailed on Mar. 4, 2016, in connection with Japanese Design Patent Application No. 2013-01409, 5 pgs.

* cited by examiner

FIG. 1

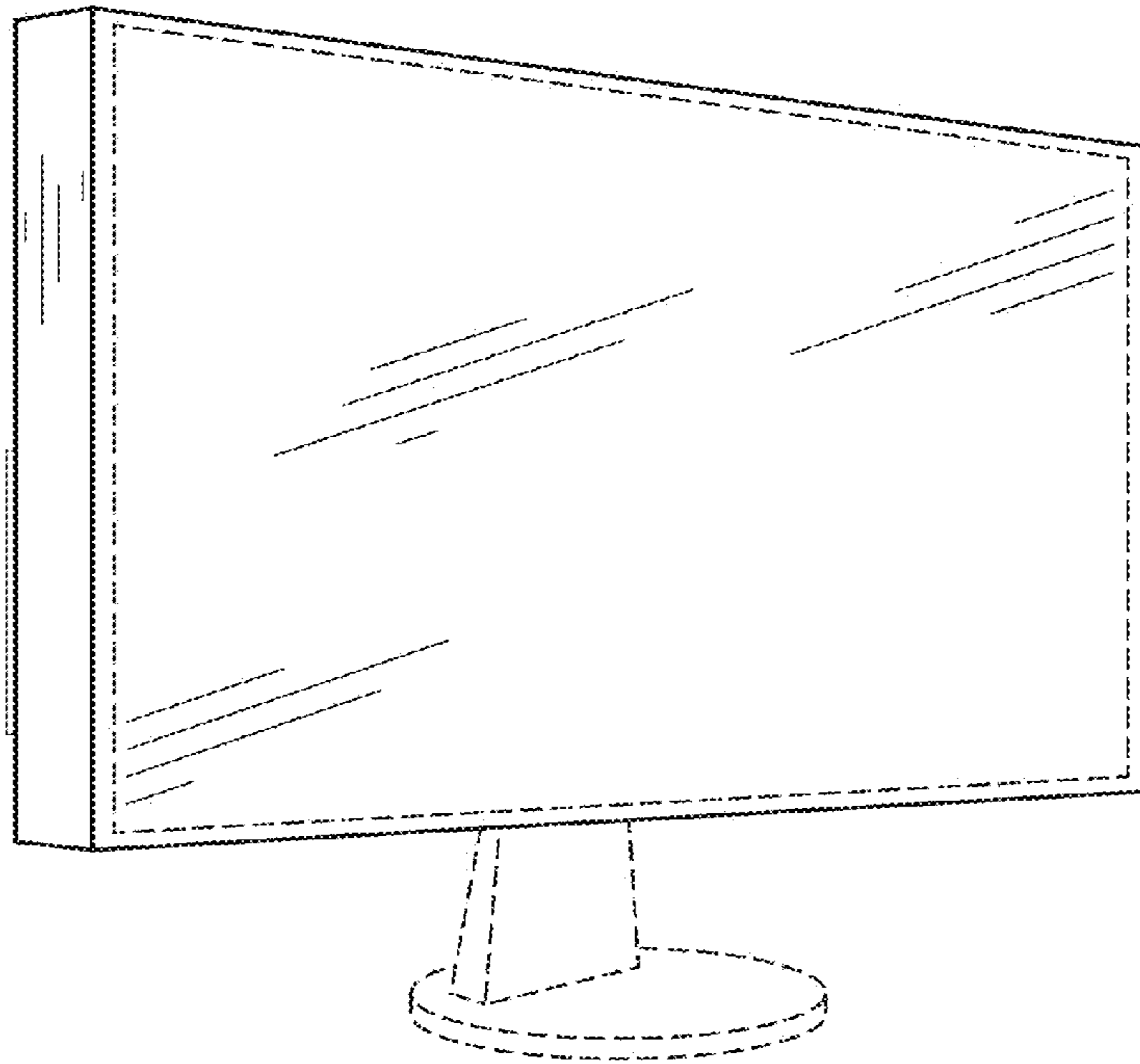


FIG. 2

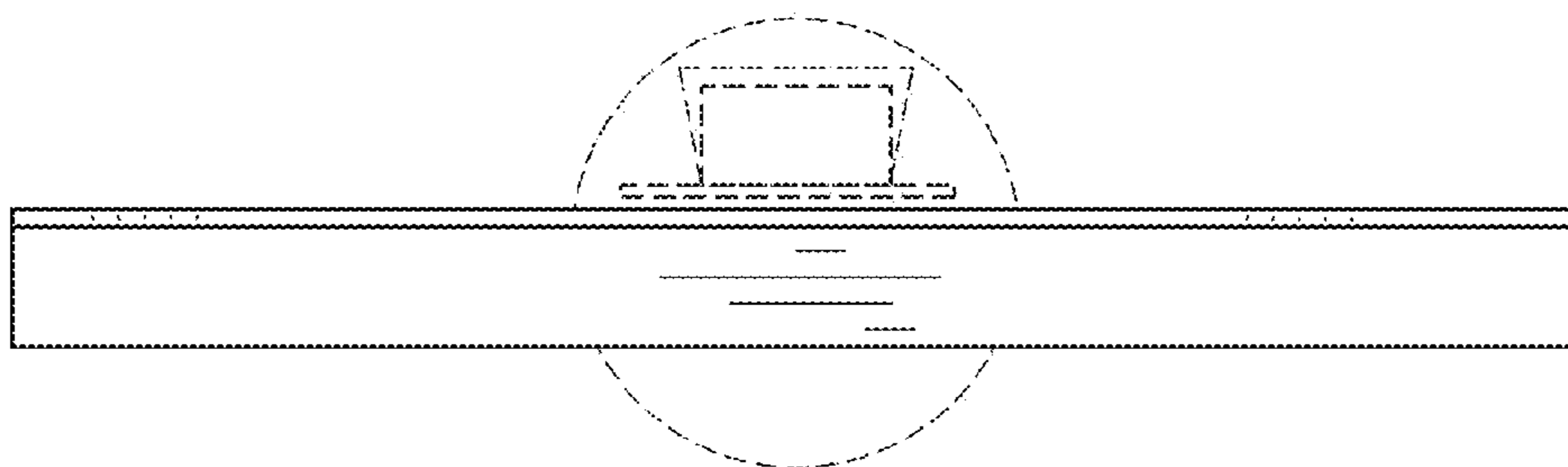


FIG. 3

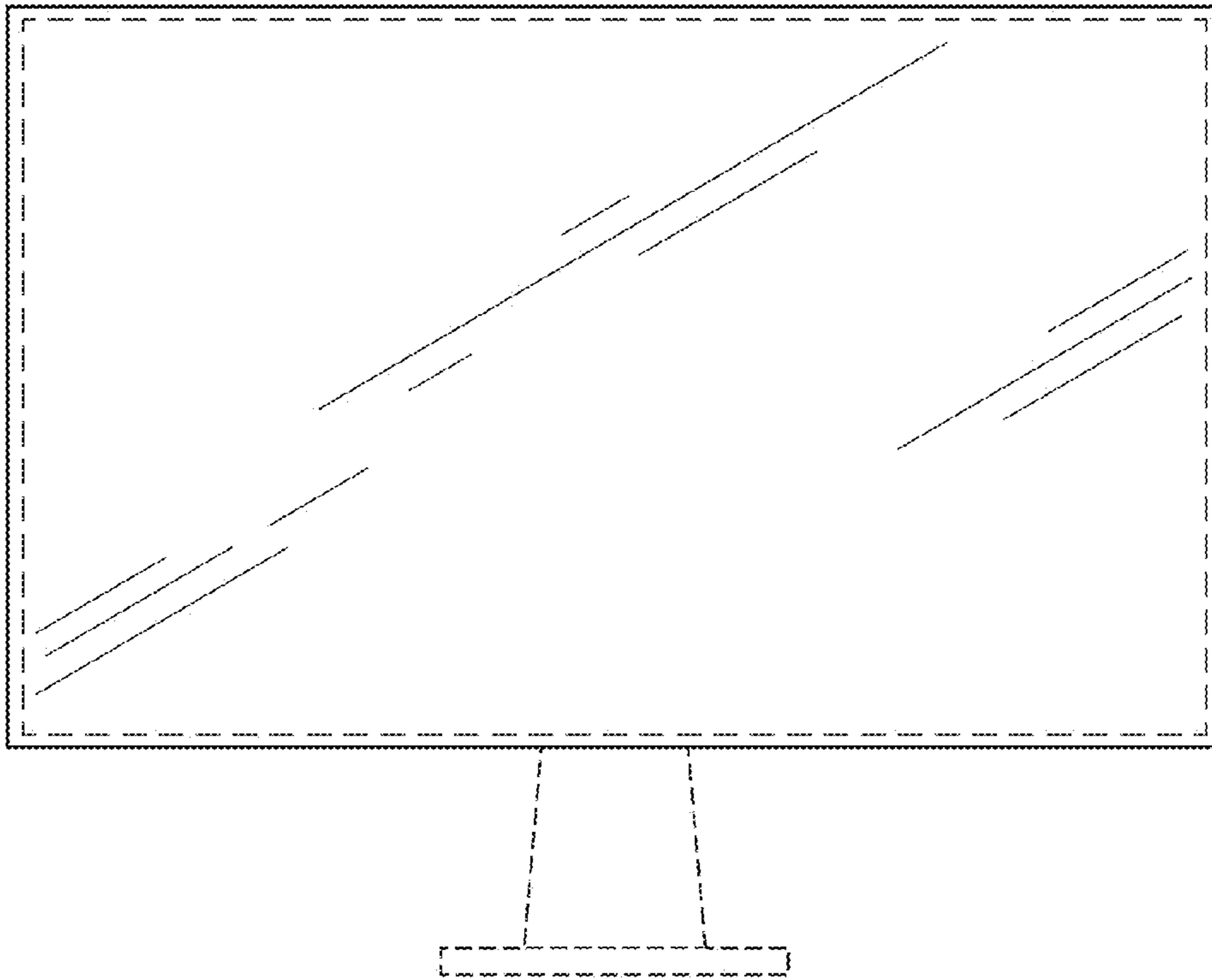


FIG. 4

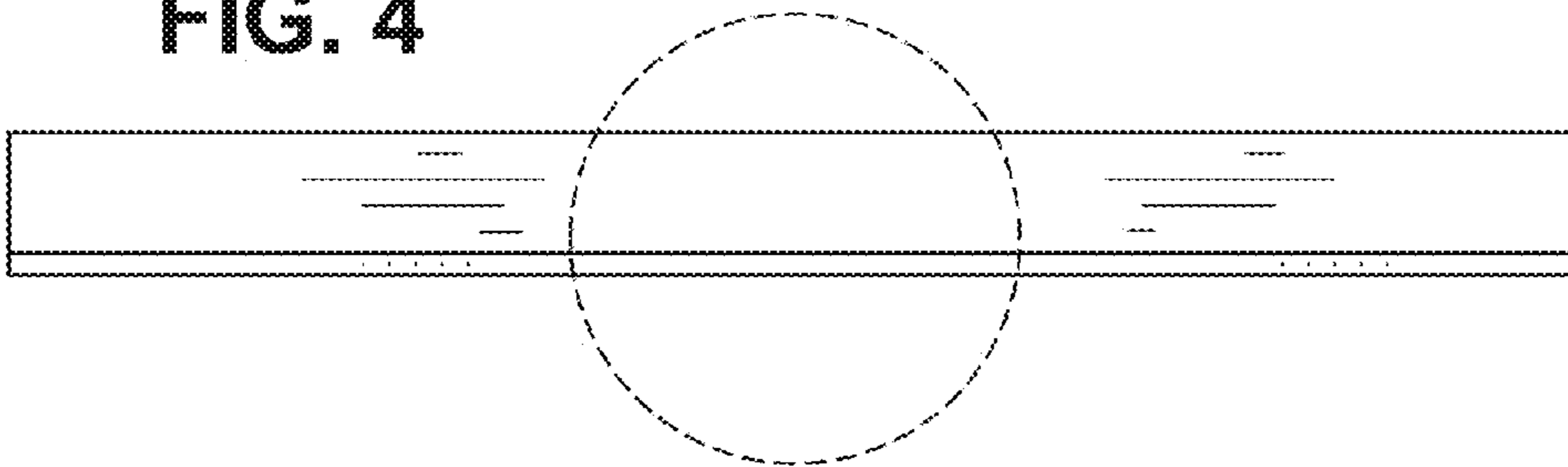
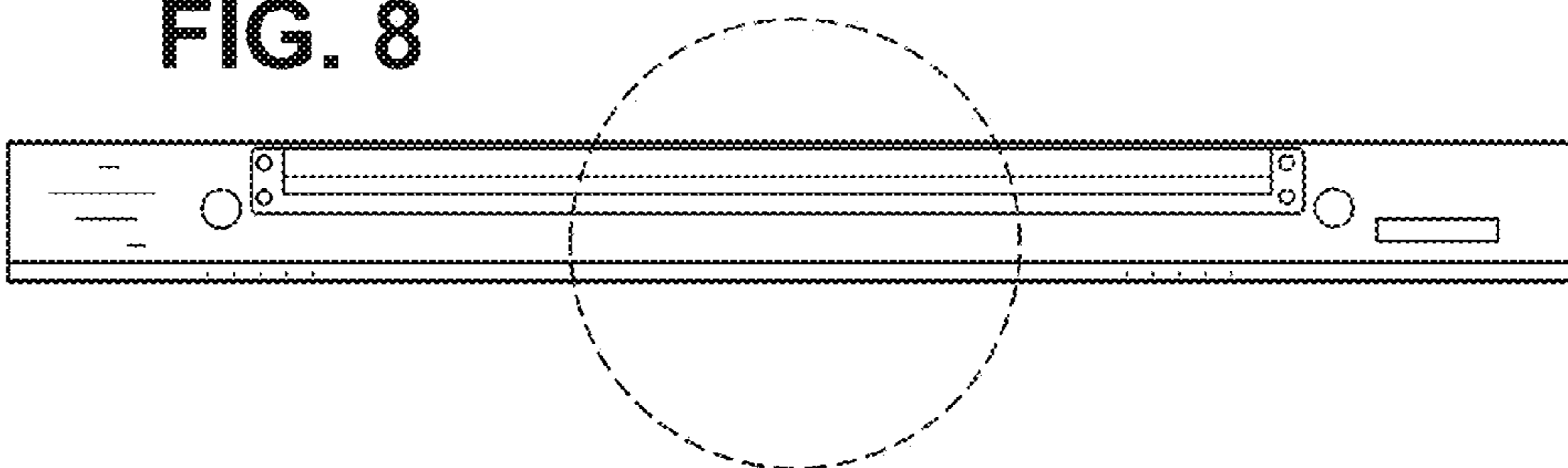


FIG. 8



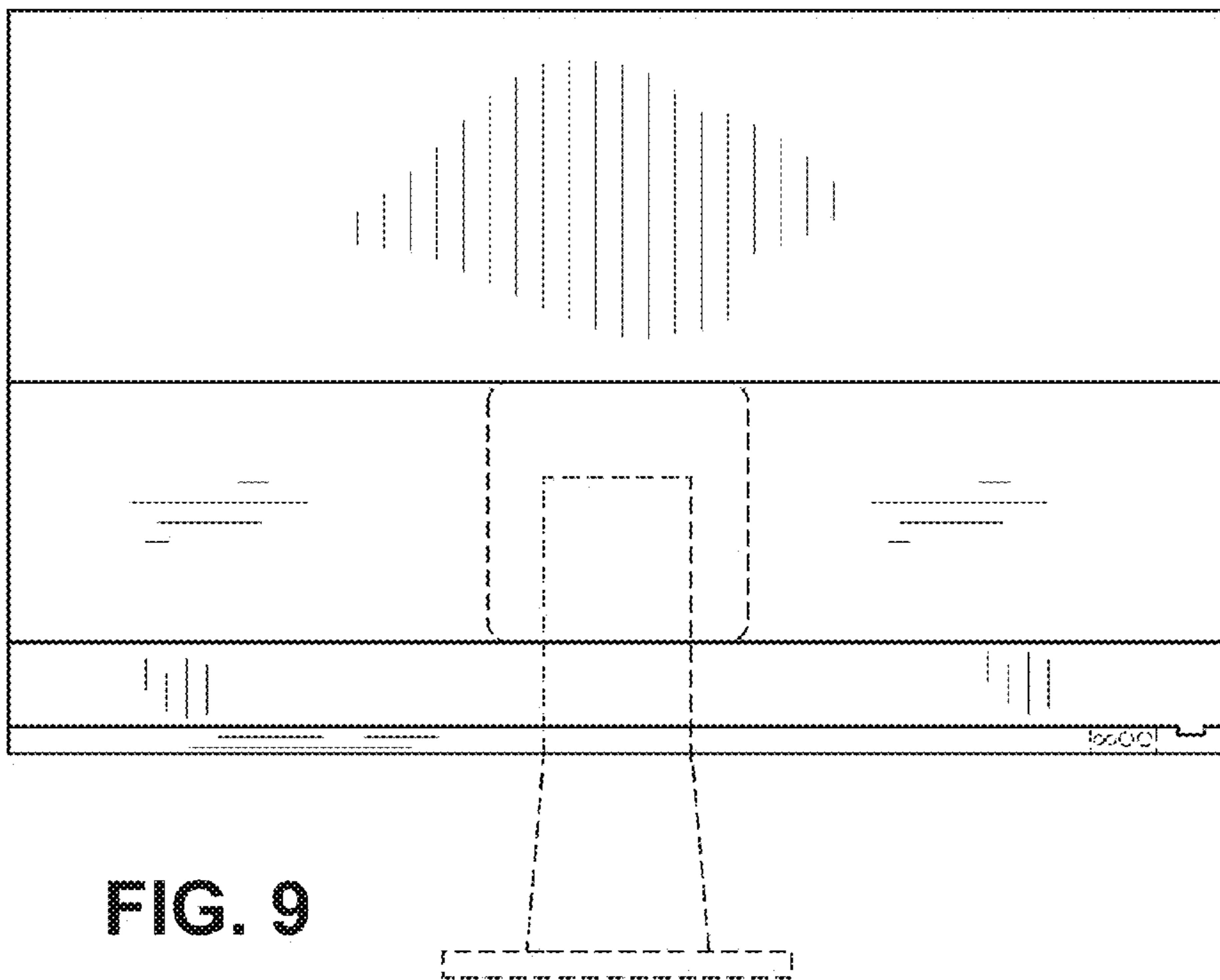
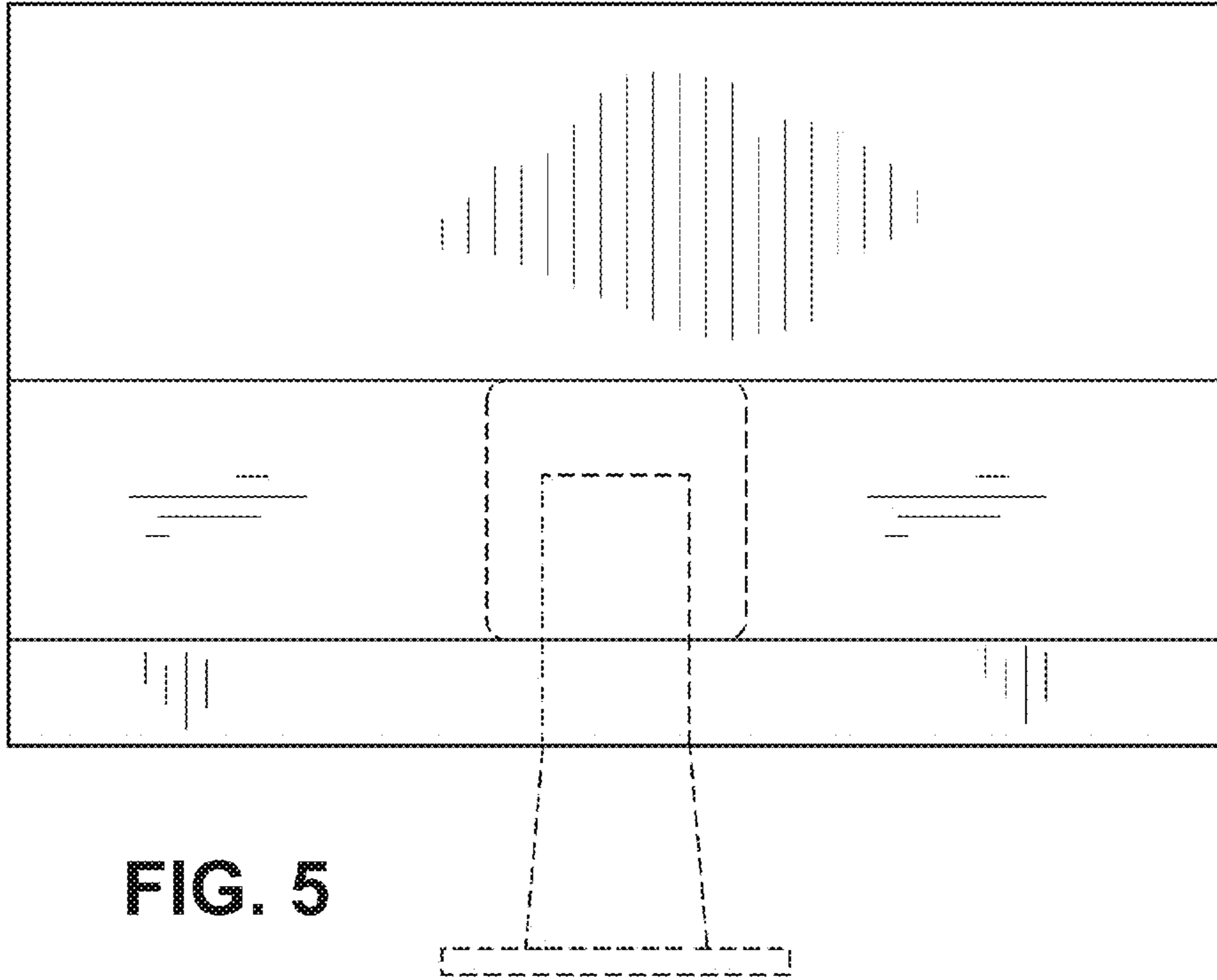


FIG. 6

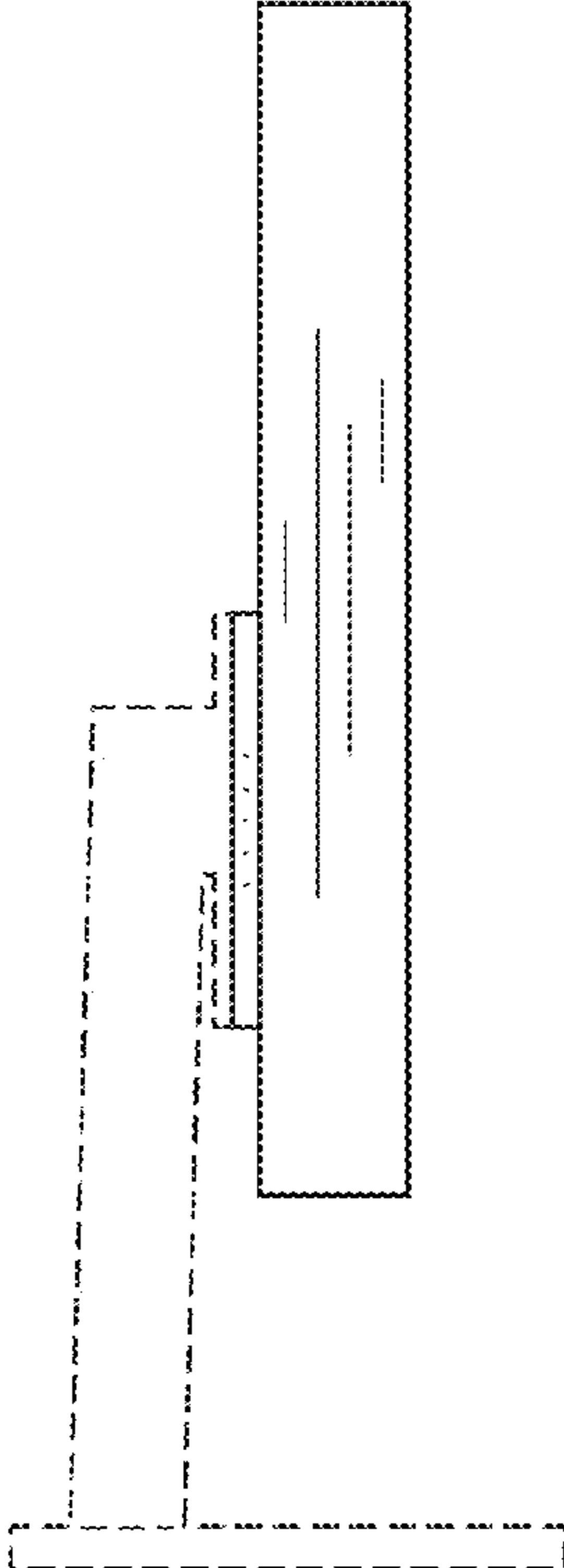


FIG. 7

