



US00D757726S

(12) **United States Design Patent**  
**Lee et al.**

(10) **Patent No.:** **US D757,726 S**  
(45) **Date of Patent:** **\*\* May 31, 2016**

(54) **HEAD MOUNTED DISPLAY DEVICE**

(71) Applicant: **LG ELECTRONICS INC.**, Seoul (KR)

(72) Inventors: **Kunwoo Lee**, Seoul (KR); **Jihoon Hong**, Seoul (KR); **Jungmun Chung**, Seoul (KR)

(73) Assignee: **LG ELECTRONICS INC.**, Seoul (KR)

(\*\*) Term: **15 Years**

(21) Appl. No.: **29/534,843**

(22) Filed: **Jul. 31, 2015**

(30) **Foreign Application Priority Data**

Feb. 3, 2015 (KR) ..... 30-2015-0005923

(51) **LOC (10) Cl.** ..... **14-02**

(52) **U.S. Cl.**  
USPC ..... **D14/372**

(58) **Field of Classification Search**  
USPC ..... D14/372, 496, 432, 371, 125, 126, 129,  
D14/299; D16/300-342; 351/158, 153, 144;  
345/7-9, 905; 455/344; 348/115, 53,  
348/121, 739

CPC ..... G02B 27/017; G02B 27/0158; G02B  
27/0161; G02B 27/0181; G02B 27/0185;  
G02B 27/0189

See application file for complete search history.

(56) **References Cited**

**U.S. PATENT DOCUMENTS**

D338,514 S \* 8/1993 Holmes ..... D14/372  
D351,622 S \* 10/1994 Holmes ..... D14/372  
D389,826 S \* 1/1998 Cousins ..... D14/135

D440,967 S \* 4/2001 Jung ..... D14/372  
D521,493 S \* 5/2006 Wai ..... D14/205  
D571,366 S \* 6/2008 Lee ..... D14/372  
D578,120 S \* 10/2008 Lowe ..... D14/372  
D579,014 S \* 10/2008 Travers ..... D14/372  
D645,862 S \* 9/2011 Paul ..... D14/372  
D704,706 S \* 5/2014 Serota ..... D14/372  
D709,880 S \* 7/2014 Kim ..... D14/372  
D714,786 S \* 10/2014 Pombo ..... D14/372  
D727,318 S \* 4/2015 Garcia Marin ..... D14/372  
D732,028 S \* 6/2015 Kim ..... D14/372  
D738,374 S \* 9/2015 Luckey ..... D14/372  
D741,327 S \* 10/2015 Reznik ..... D14/372  
D749,580 S \* 2/2016 Kim ..... D14/372  
D749,583 S \* 2/2016 Luckey ..... D14/372  
D750,074 S \* 2/2016 Coz ..... D14/372  
D751,072 S \* 3/2016 Lyons ..... D14/372

\* cited by examiner

*Primary Examiner* — Austin Murphy

(74) *Attorney, Agent, or Firm* — Birch, Stewart, Kolasch & Birch, LLP

(57) **CLAIM**

The ornamental design for a head mounted display device, as shown and described.

**DESCRIPTION**

FIG. 1 is a perspective view of a head mounted display device showing our new design;

FIG. 2 is a front view thereof;

FIG. 3 is a rear view thereof;

FIG. 4 is a left side view thereof;

FIG. 5 is a right side view thereof;

FIG. 6 is a top plan view thereof;

FIG. 7 is a bottom plan view thereof; and,

FIG. 8 is a rear perspective view thereof.

**1 Claim, 6 Drawing Sheets**

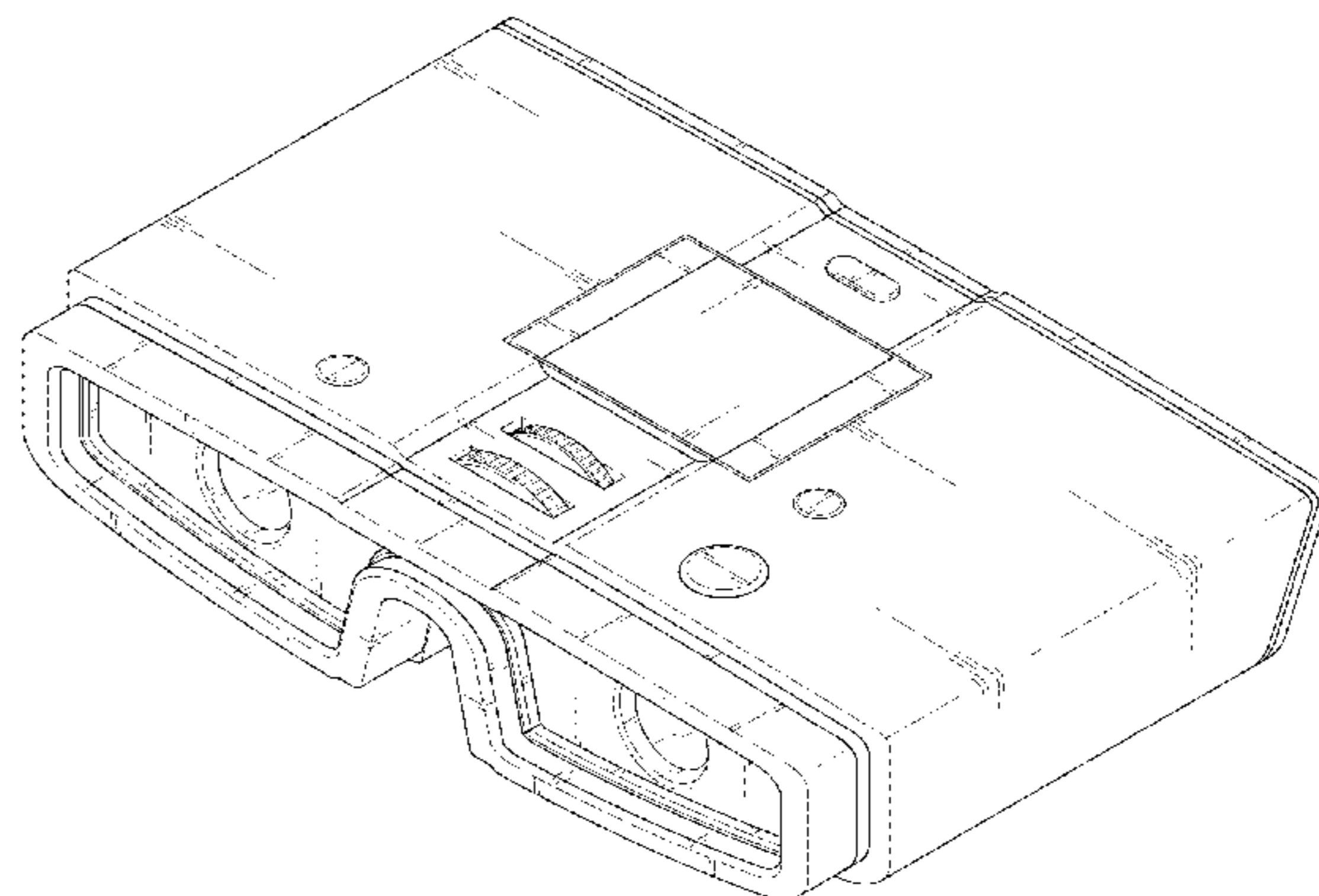
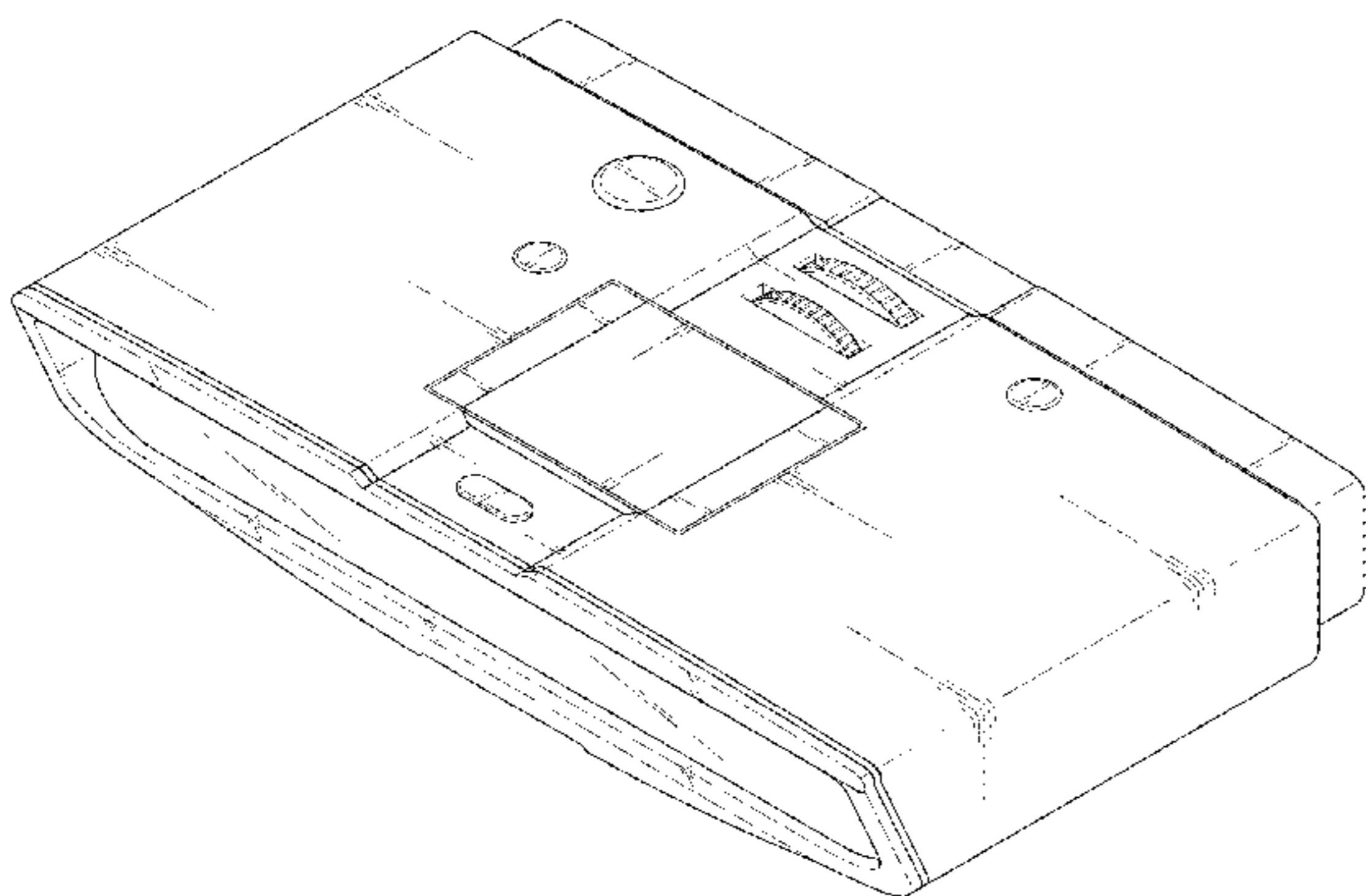


FIG. 1

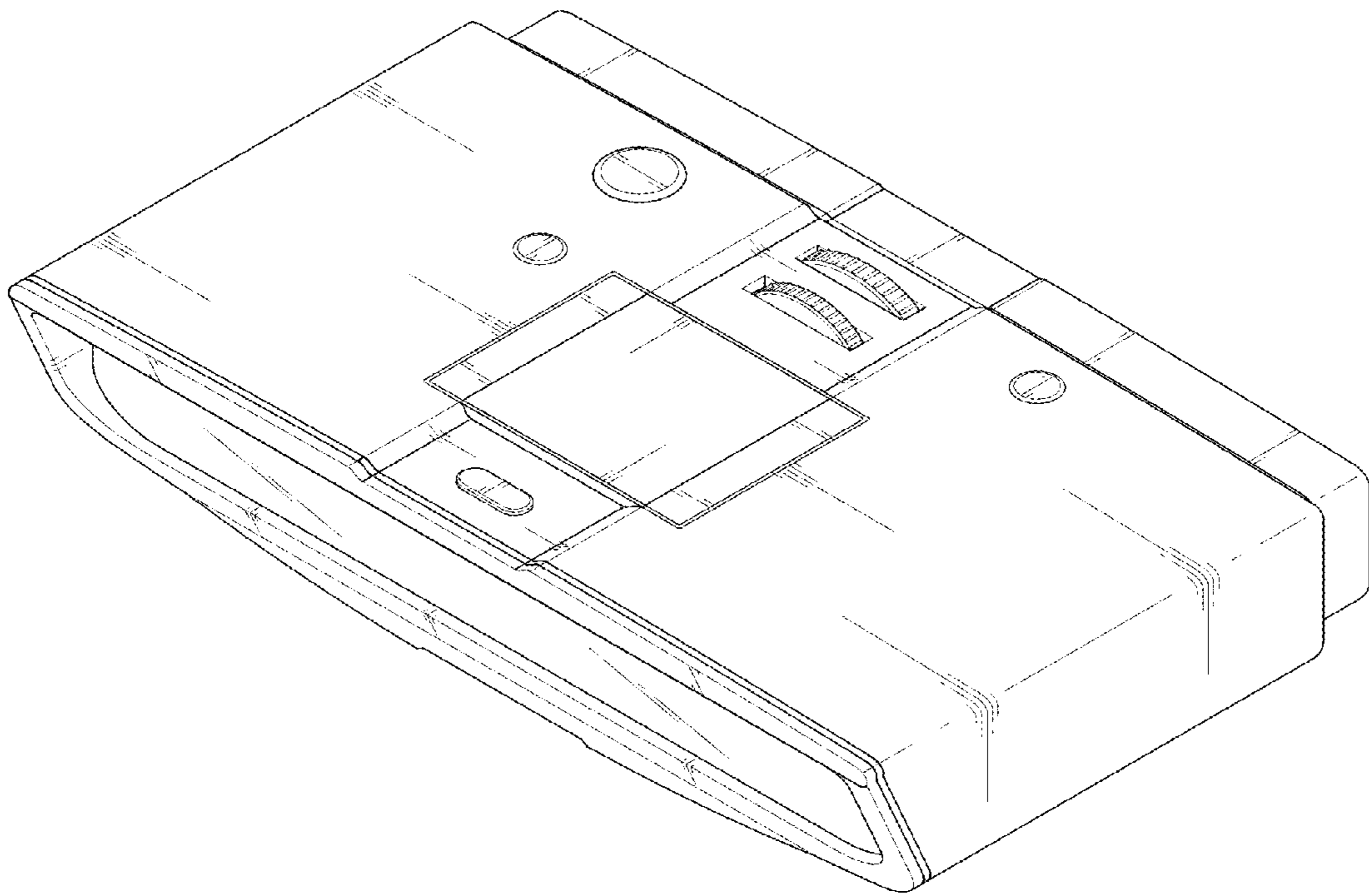


FIG. 2

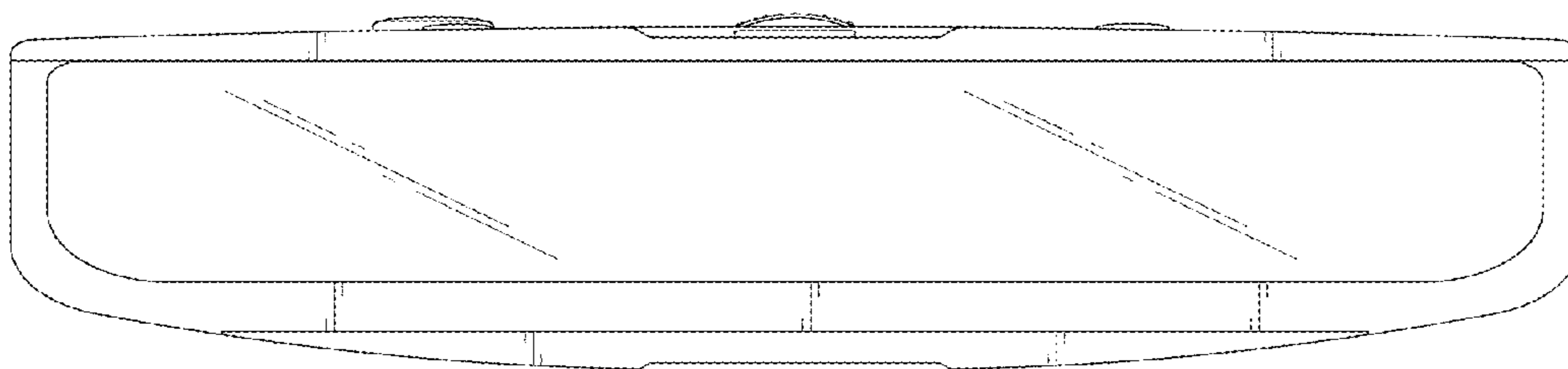


FIG. 3

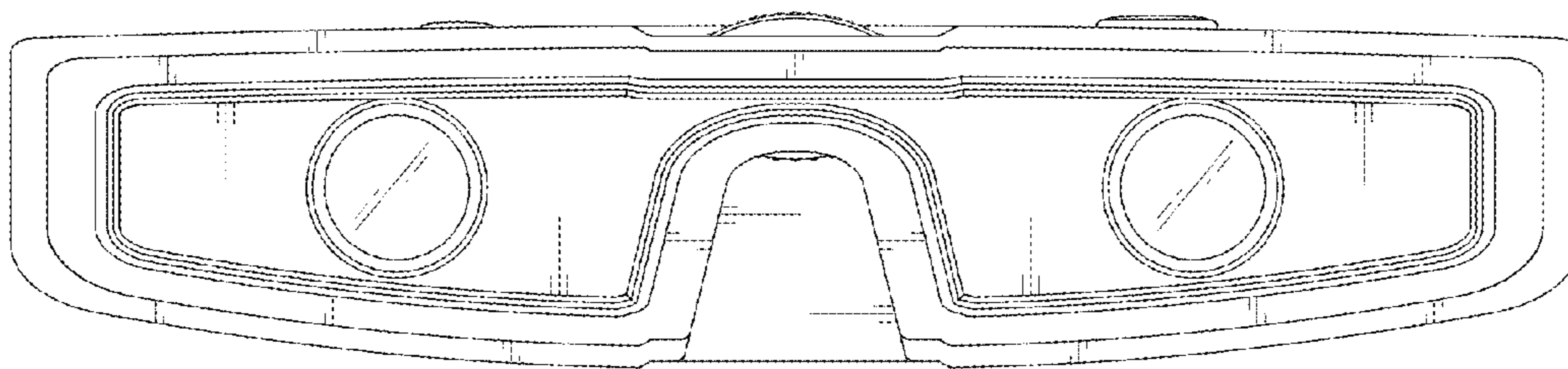


FIG. 4

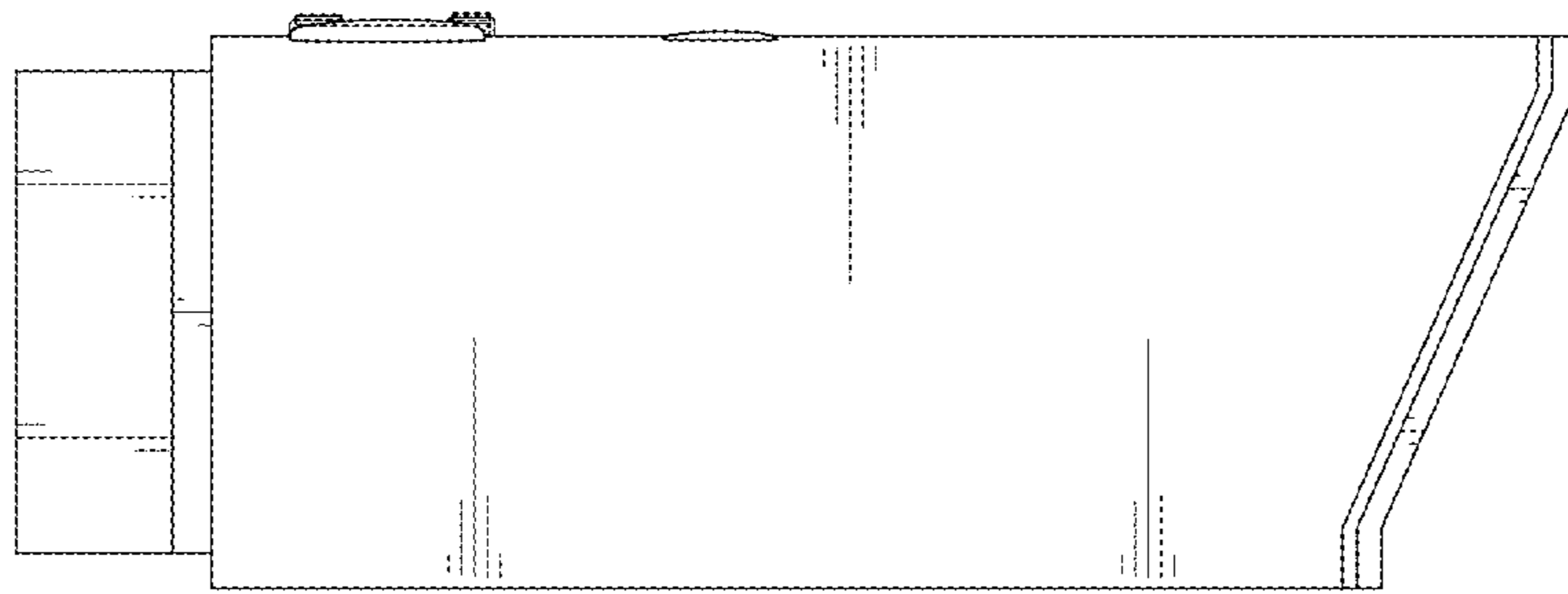


FIG. 5

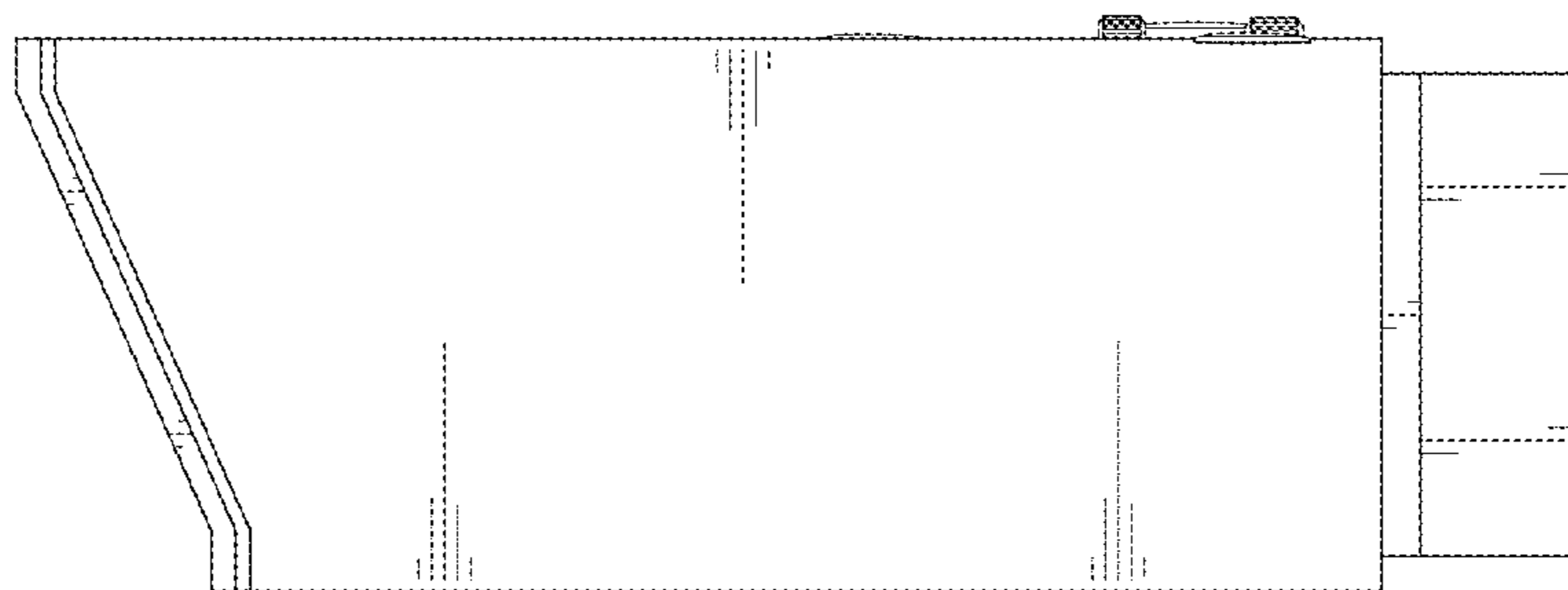


FIG. 6

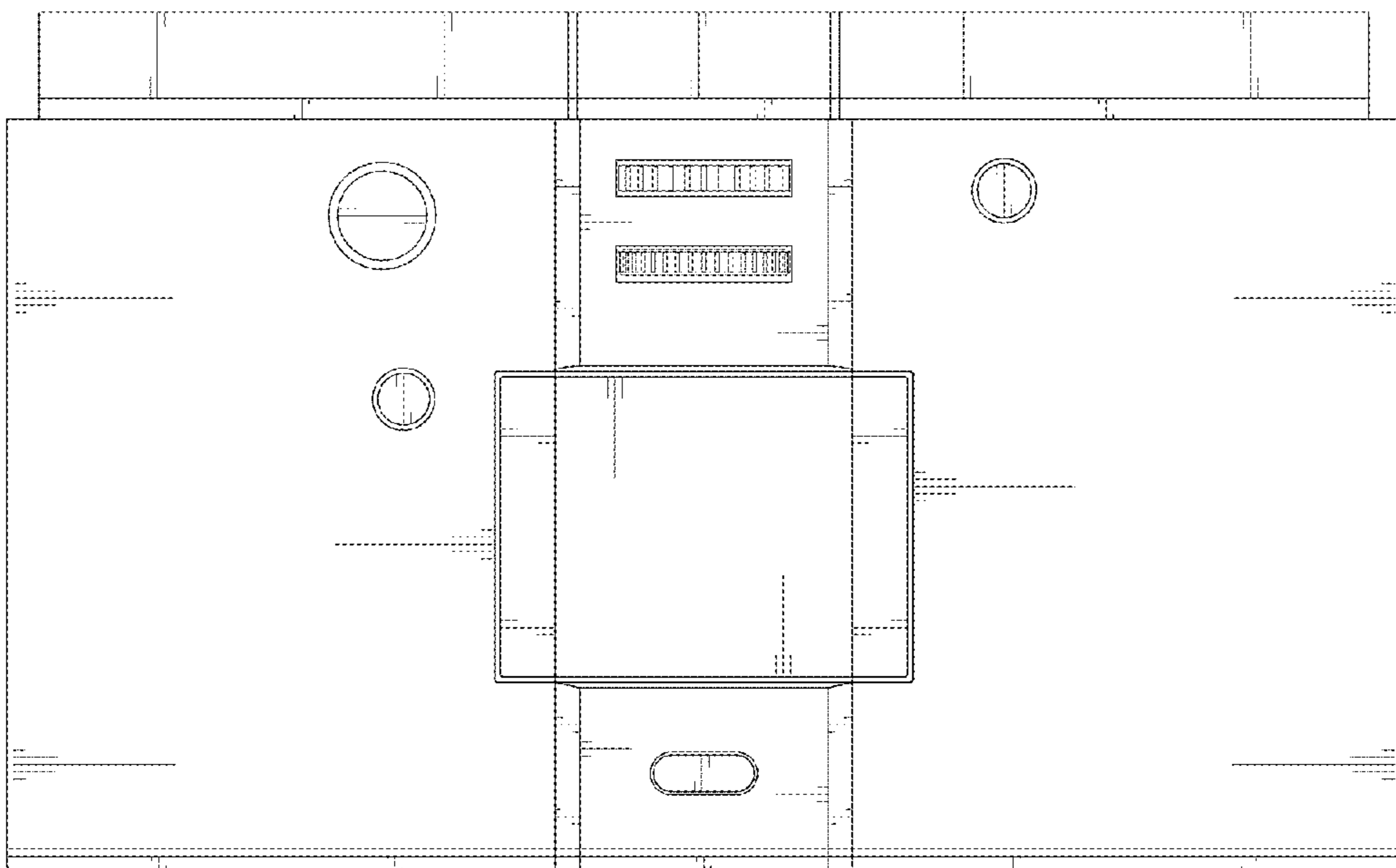


FIG. 7

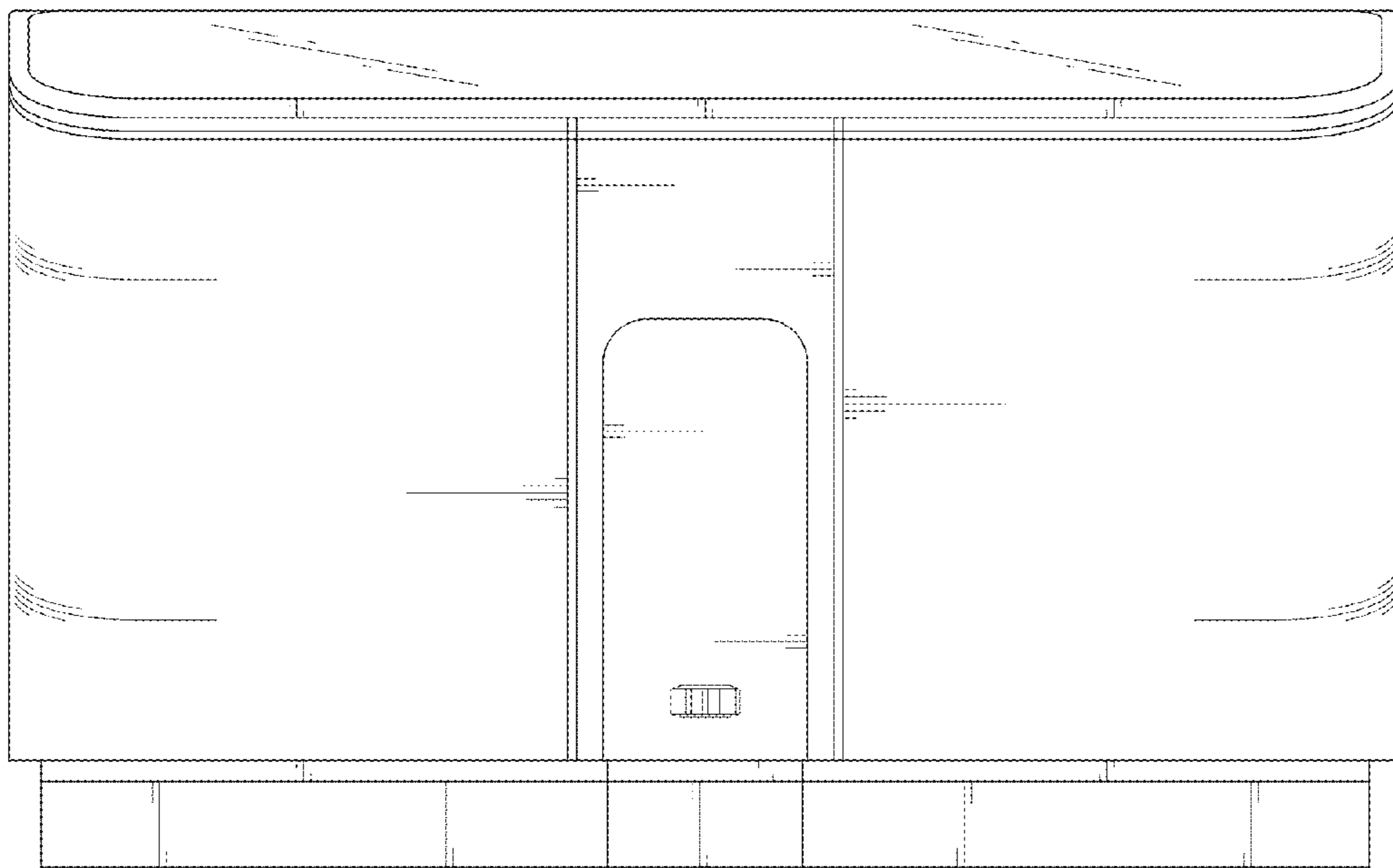


FIG. 8

