



US00D757725S

(12) **United States Design Patent**
Park et al.

(10) **Patent No.:** **US D757,725 S**
(45) **Date of Patent:** **** May 31, 2016**

- (54) **HEAD MOUNTED DISPLAY DEVICE**
- (71) Applicant: **LG ELECTRONICS INC.**, Seoul (KR)
- (72) Inventors: **Seala Park**, Seoul (KR); **Dongsoon Kim**, Seoul (KR); **Junseop Lee**, Seoul (KR)
- (73) Assignee: **LG ELECTRONICS INC.**, Seoul (KR)
- (**) Term: **15 Years**
- (21) Appl. No.: **29/532,884**
- (22) Filed: **Jul. 10, 2015**

- (30) **Foreign Application Priority Data**
Jan. 13, 2015 (KR) 30-2015-0001660
- (51) **LOC (10) Cl.** **14-02**
- (52) **U.S. Cl.**
USPC **D14/372**
- (58) **Field of Classification Search**
USPC D14/372, 496, 432, 371, 125, 126, 129,
D14/299; D16/300-342; 351/158, 153, 144;
345/7-9, 905; 455/344; 348/115, 53,
348/121, 739
CPC G02B 27/017; G02B 27/0158; G02B
27/0161; G02B 27/0181; G02B 27/0185;
G02B 27/0189
See application file for complete search history.

- (56) **References Cited**
U.S. PATENT DOCUMENTS
D352,046 S * 11/1994 Kataoka D16/130
D513,031 S * 12/2005 Travers D16/300
D521,493 S * 5/2006 Wai D14/205
D566,744 S * 4/2008 Travers D16/300
D579,014 S * 10/2008 Travers D14/372
D714,786 S * 10/2014 Pombo D14/372
D726,649 S * 4/2015 Lee D13/103
D726,718 S * 4/2015 Choo D14/372
D726,720 S * 4/2015 Lee D14/372

- D728,564 S * 5/2015 Olsson D14/372
- D728,565 S * 5/2015 Kim D14/372
- D737,272 S * 8/2015 Olsson D14/372
- D751,073 S * 3/2016 Nagao D14/372
- 9,298,011 B2 * 3/2016 Pombo G02B 27/0176
- 2004/0113867 A1 * 6/2004 Tomine G02B 27/0172
345/8
- 2005/0254134 A1 * 11/2005 Yamamoto G02B 27/017
359/630
- 2013/0285886 A1 * 10/2013 Pombo G02B 27/0149
345/8

* cited by examiner

Primary Examiner — Austin Murphy
(74) *Attorney, Agent, or Firm* — Birch, Stewart, Kolasch & Birch, LLP

(57) **CLAIM**
The ornamental design for a head mounted display device, as shown and described.

DESCRIPTION
FIG. 1 is a perspective view of a head mounted display device showing our new design;
FIG. 2 is a front view thereof;
FIG. 3 is a rear view thereof;
FIG. 4 is a left side view thereof;
FIG. 5 is a right side view thereof;
FIG. 6 is a top plan view thereof;
FIG. 7 is a bottom plan view thereof;
FIG. 8 is a reference view thereof showing the state that the subject design has been worn around the user's neck;
FIG. 9 is a reference view thereof showing that one side of the display part (optical module) can be separated front the neck-band and the subject design can be adjusted to the face shape of the user by swivelling the display part up and down; and,
FIG. 10 is a reference view thereof showing that one side of the display part (optical module) is separated from the neck-band and then attached to the user's glasses.
The broken lines depict portions of the head mounted display device that form no part of the claimed design.

1 Claim, 9 Drawing Sheets

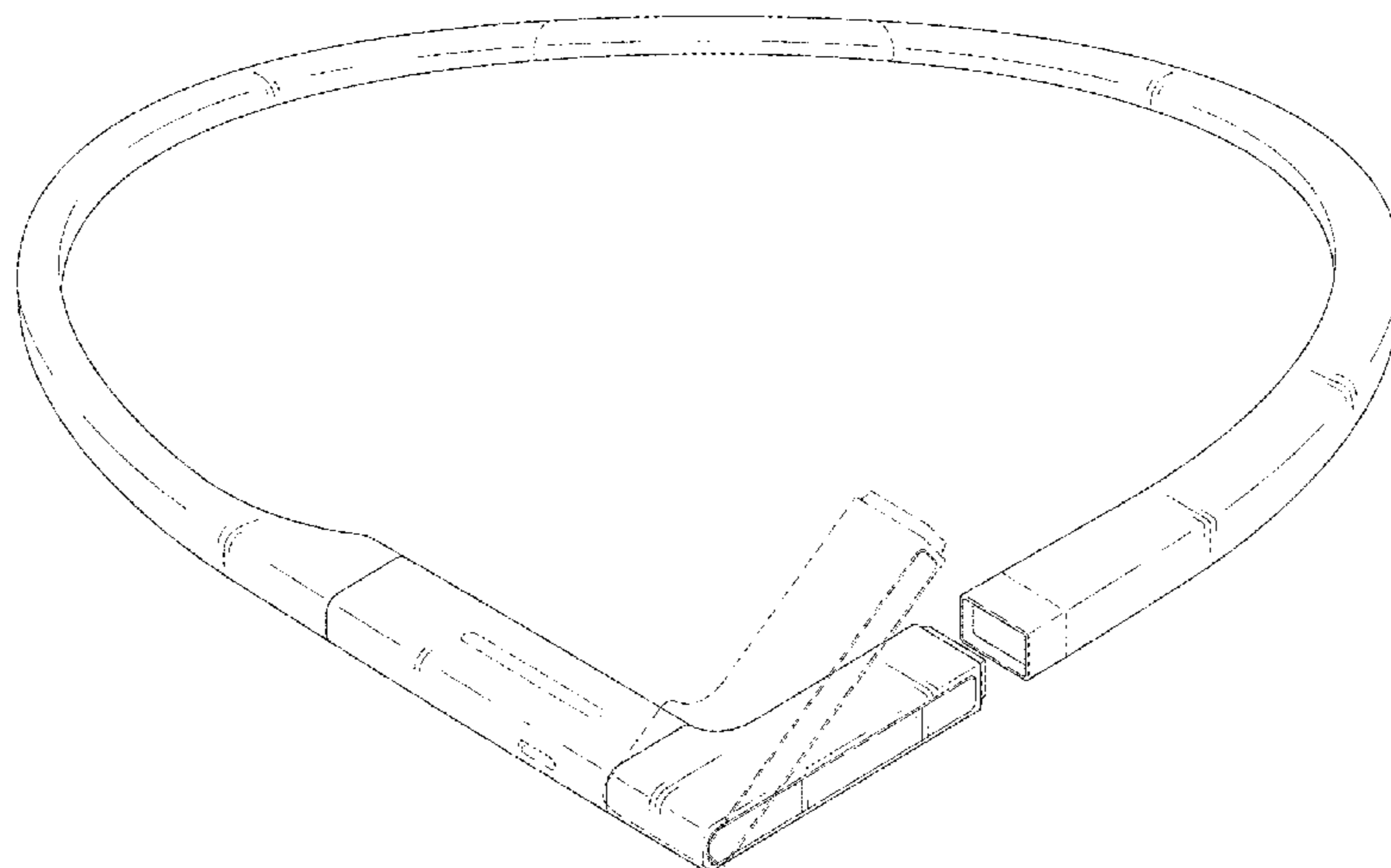


FIG. 1

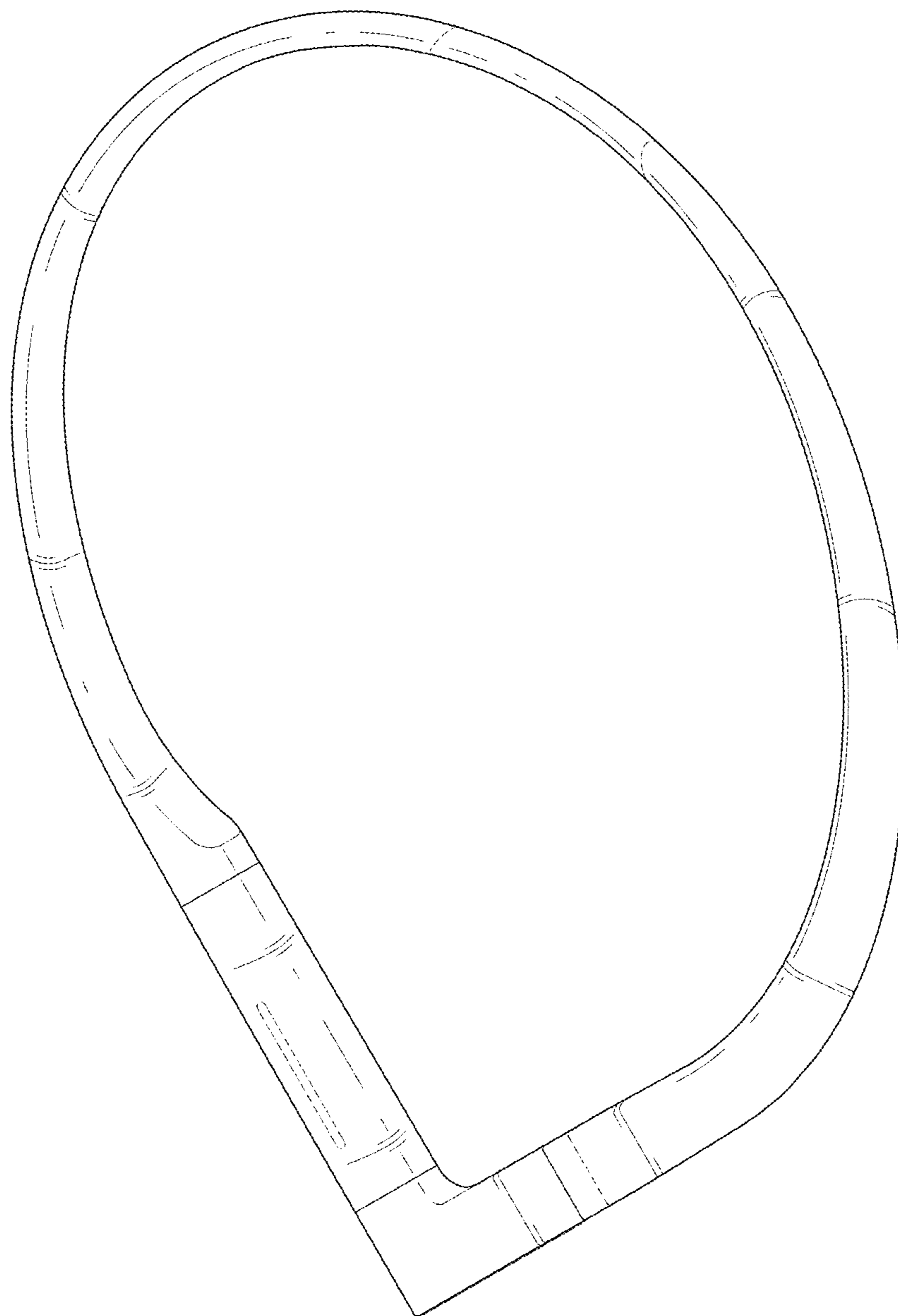


FIG. 2

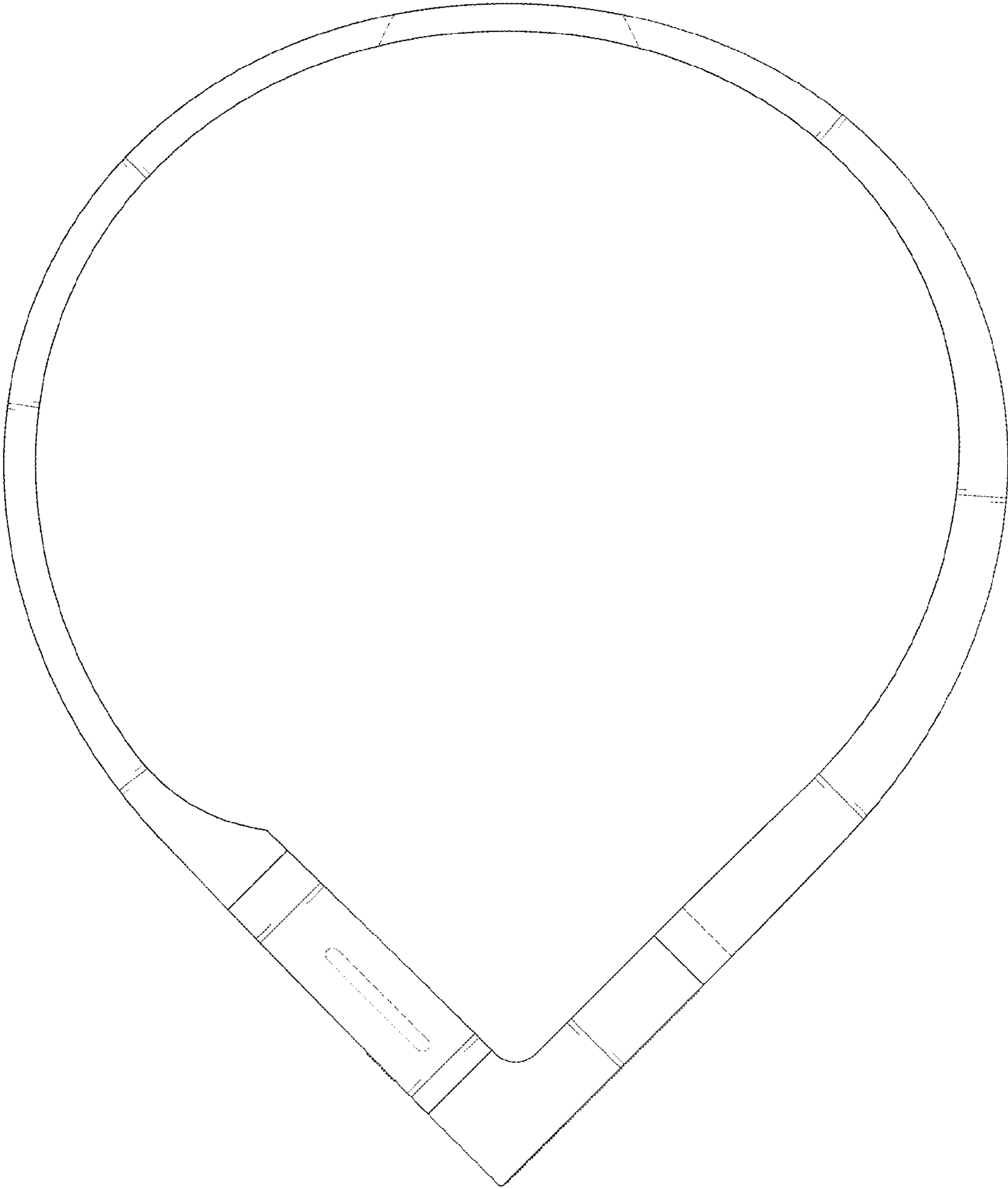


FIG. 3

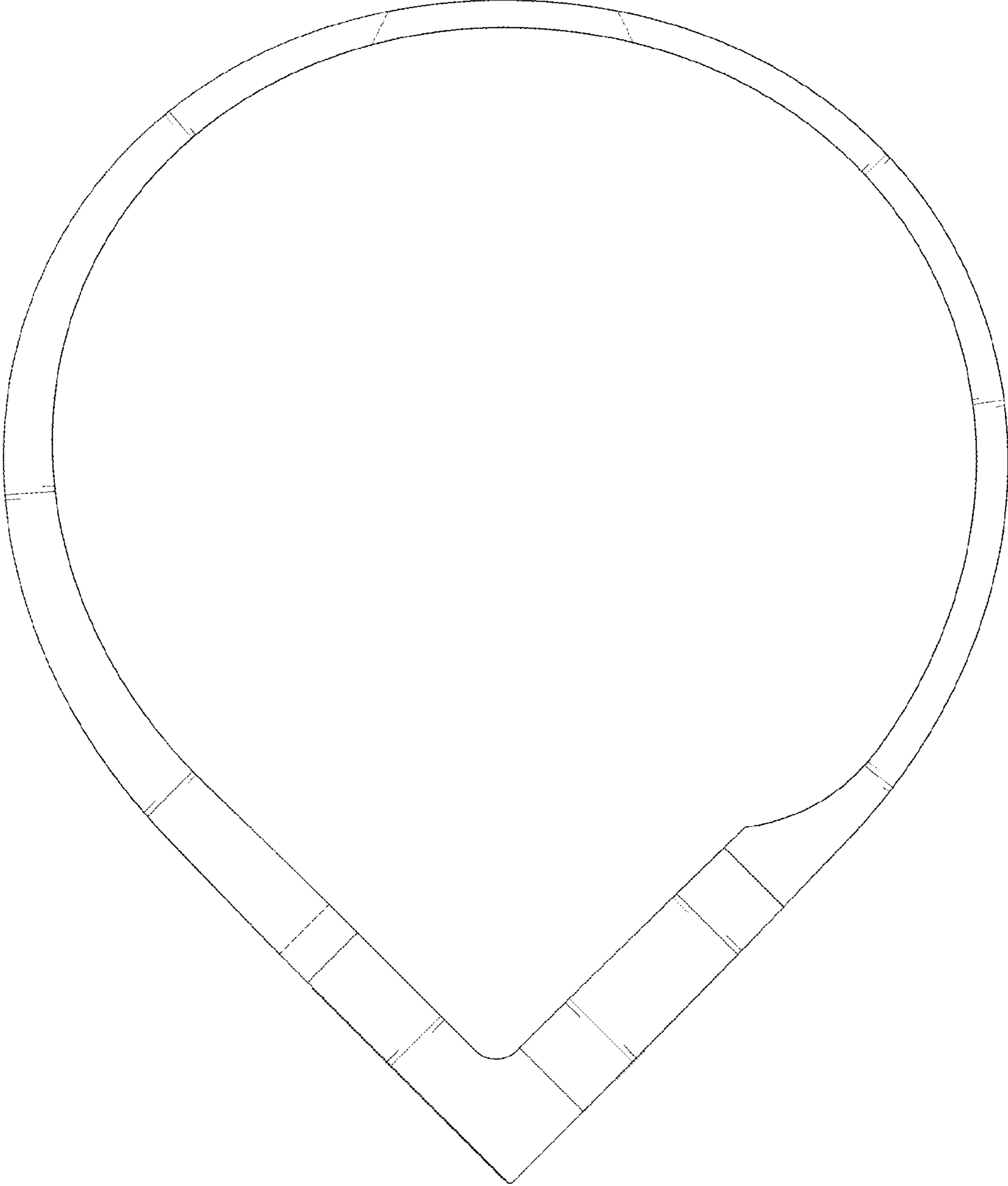


FIG. 4

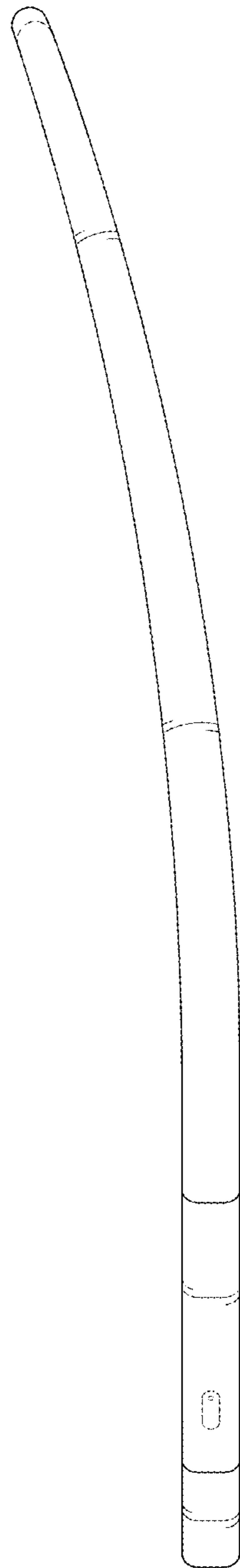


FIG. 5

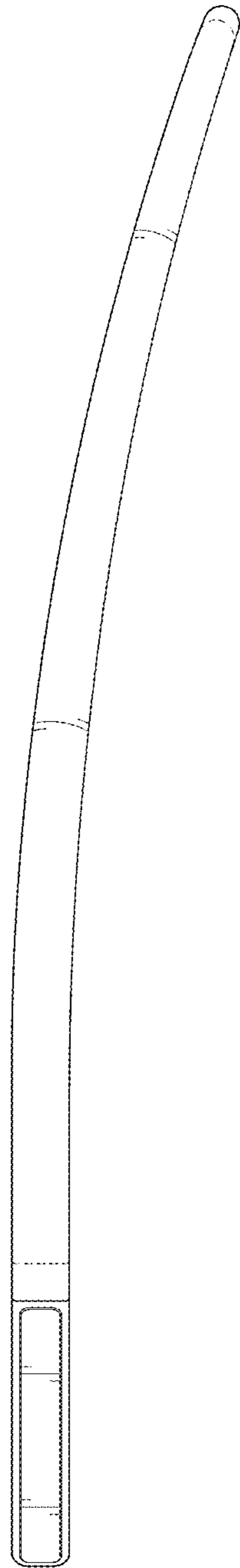


FIG. 6

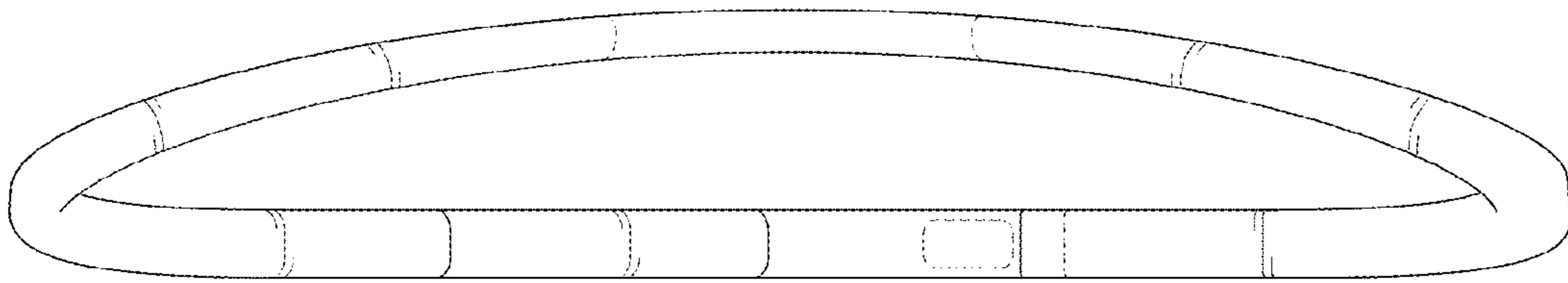


FIG. 7

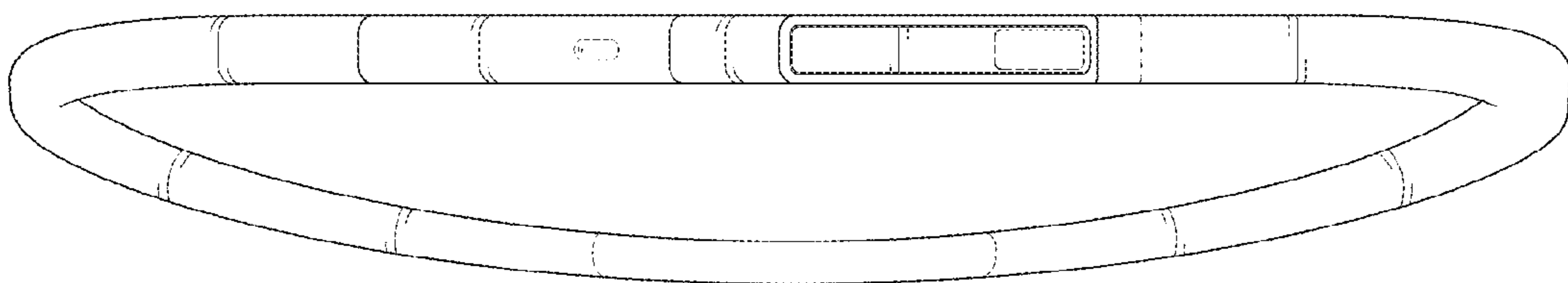


FIG. 8

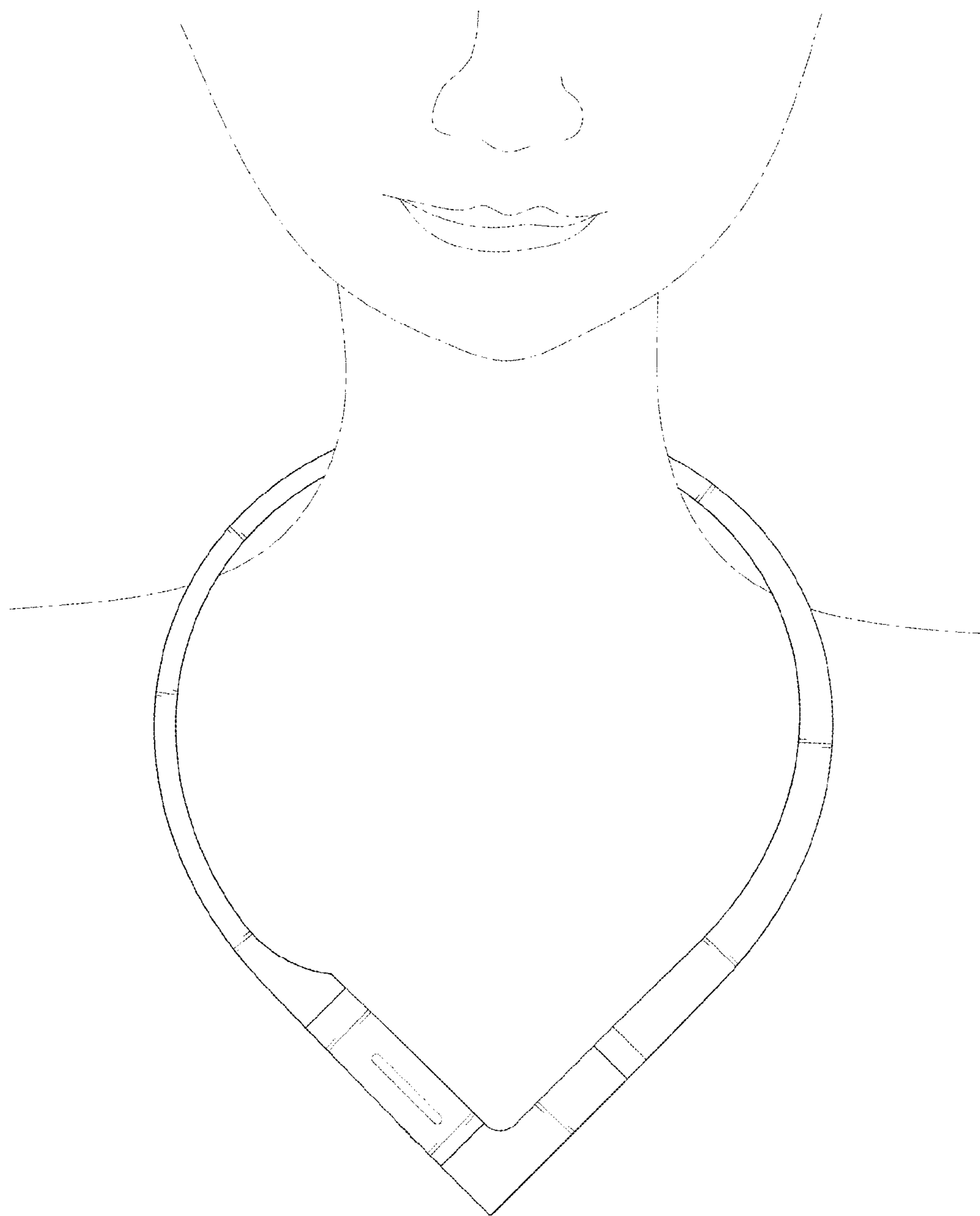


FIG. 9

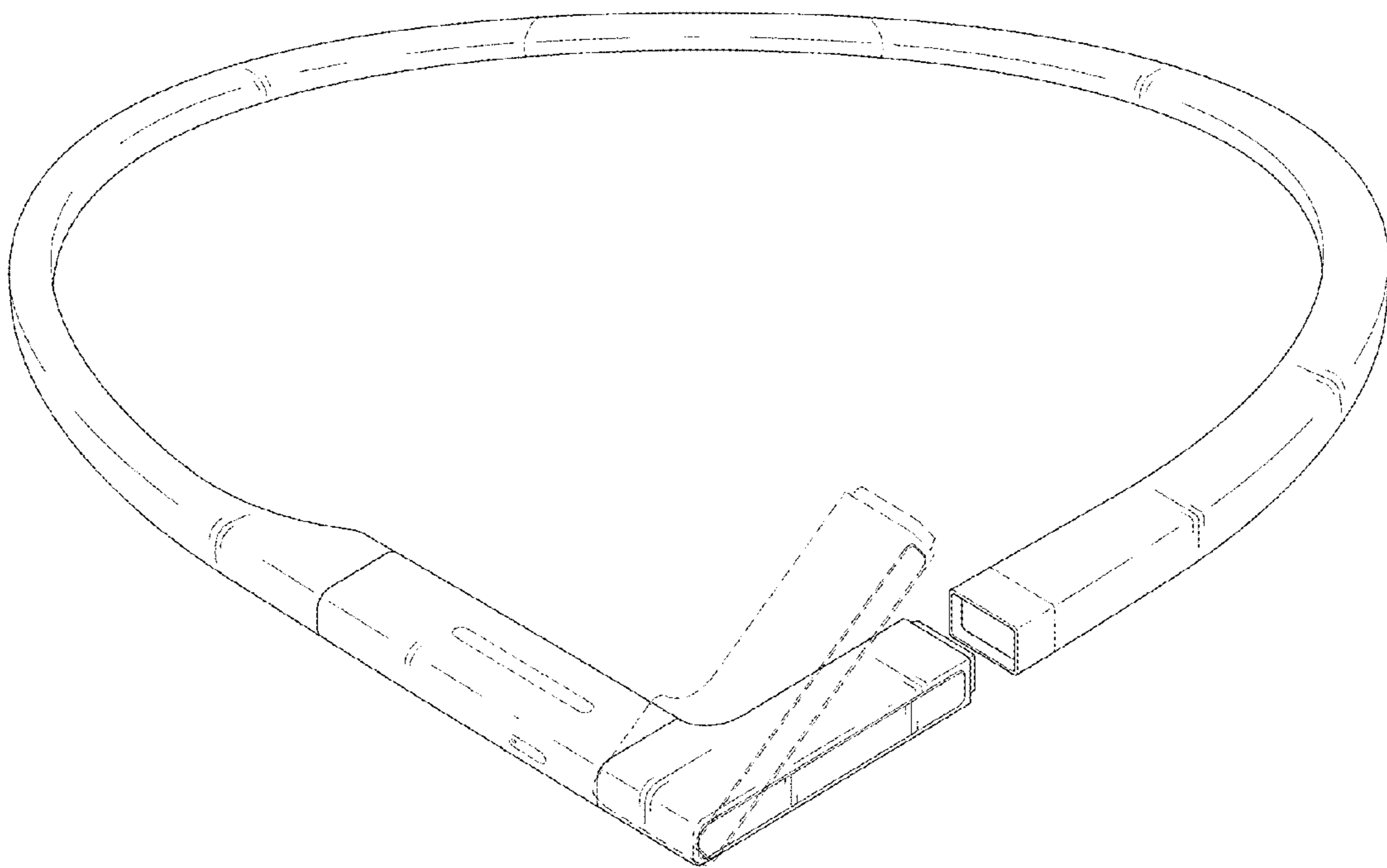


FIG. 10

