

US00D757723S

(12) **United States Design Patent**
Kwak et al.

(10) **Patent No.:** **US D757,723 S**
(45) **Date of Patent:** **** May 31, 2016**

(54) **ELECTRONIC DEVICE**

(71) Applicant: **Samsung Electronics Co., Ltd.**,
Suwon-si, Gyeonggi-do (KR)

(72) Inventors: **Ji-Yeon Kwak**, Seoul (KR); **Jeong-Ju Lee**, Seoul (KR); **Hyun-Jin Kim**, Seoul (KR); **Joon-Kyu Seo**, Seoul (KR)

(73) Assignee: **SAMSUNG ELECTRONICS CO., LTD.** (KR)

(**) Term: **14 Years**

(21) Appl. No.: **29/490,751**

(22) Filed: **May 13, 2014**

(30) **Foreign Application Priority Data**

Nov. 25, 2013 (KR) 30-2013-0059142
Nov. 25, 2013 (KR) 30-2013-0059143

(51) **LOC (10) Cl.** **14-02**

(52) **U.S. Cl.**
USPC **D14/345**

(58) **Field of Classification Search**
USPC D14/345, 341, 138 AB, 138 C, 138 G,
D14/203.4, 342-344, 347, 496, 248, 474,
D14/483, 315, 322, 327; 345/156;
361/679.26, 679.27
CPC G06F 1/16
See application file for complete search history.

(56) **References Cited**

U.S. PATENT DOCUMENTS

5,768,096 A * 6/1998 Williams G06F 1/1616
361/679.04
5,887,373 A * 3/1999 Byers A47G 1/065
40/605
D588,126 S * 3/2009 Chiang D14/345
D594,028 S * 6/2009 Fuchsberg D14/496
D597,090 S * 7/2009 Bemelmans D14/341
7,556,384 B2 * 7/2009 Chan A45D 42/18
353/122

D613,763 S * 4/2010 Jones D14/203.3
D626,957 S * 11/2010 Juan D14/345
8,035,577 B2 * 10/2011 Lafarre G06F 1/1615
248/917
D680,529 S * 4/2013 Reeves D14/341
D681,054 S * 4/2013 Koh D14/496
D685,342 S * 7/2013 Cetera D14/203.4

(Continued)

Primary Examiner — Paula Greene

(74) *Attorney, Agent, or Firm* — Cantor Colburn LLP

(57) **CLAIM**

The ornamental design for an electronic device, as shown and described.

DESCRIPTION

FIG. 1 is a perspective view of an electronic device, showing our new design;

FIG. 2 is a front elevation view thereof;

FIG. 3 is a rear elevation view thereof;

FIG. 4 is a side elevation view thereof;

FIG. 5 is another side elevation view thereof;

FIG. 6 is a top plan view thereof;

FIG. 7 is a bottom plan view thereof;

FIG. 8 is another perspective view of the electronic device in an alternate position;

FIG. 9 is a front elevation view of FIG. 8 seen from a direction A;

FIG. 10 is a rear elevation view of FIG. 8 seen from a direction B opposite to the direction A;

FIG. 11 is a side elevation view of FIG. 8 seen from a direction C;

FIG. 12 is another side elevation view of FIG. 8 from a direction D opposite to the direction C;

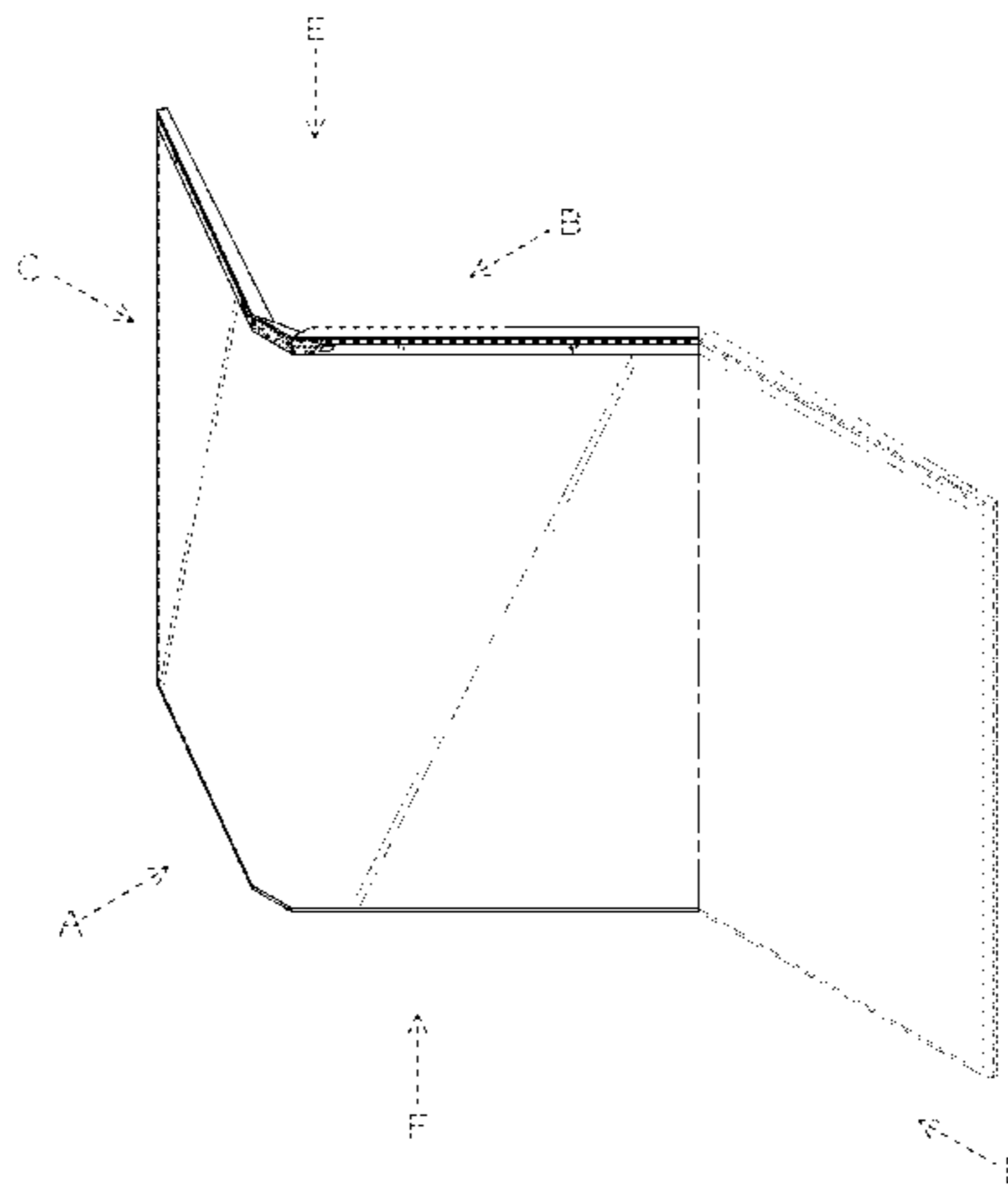
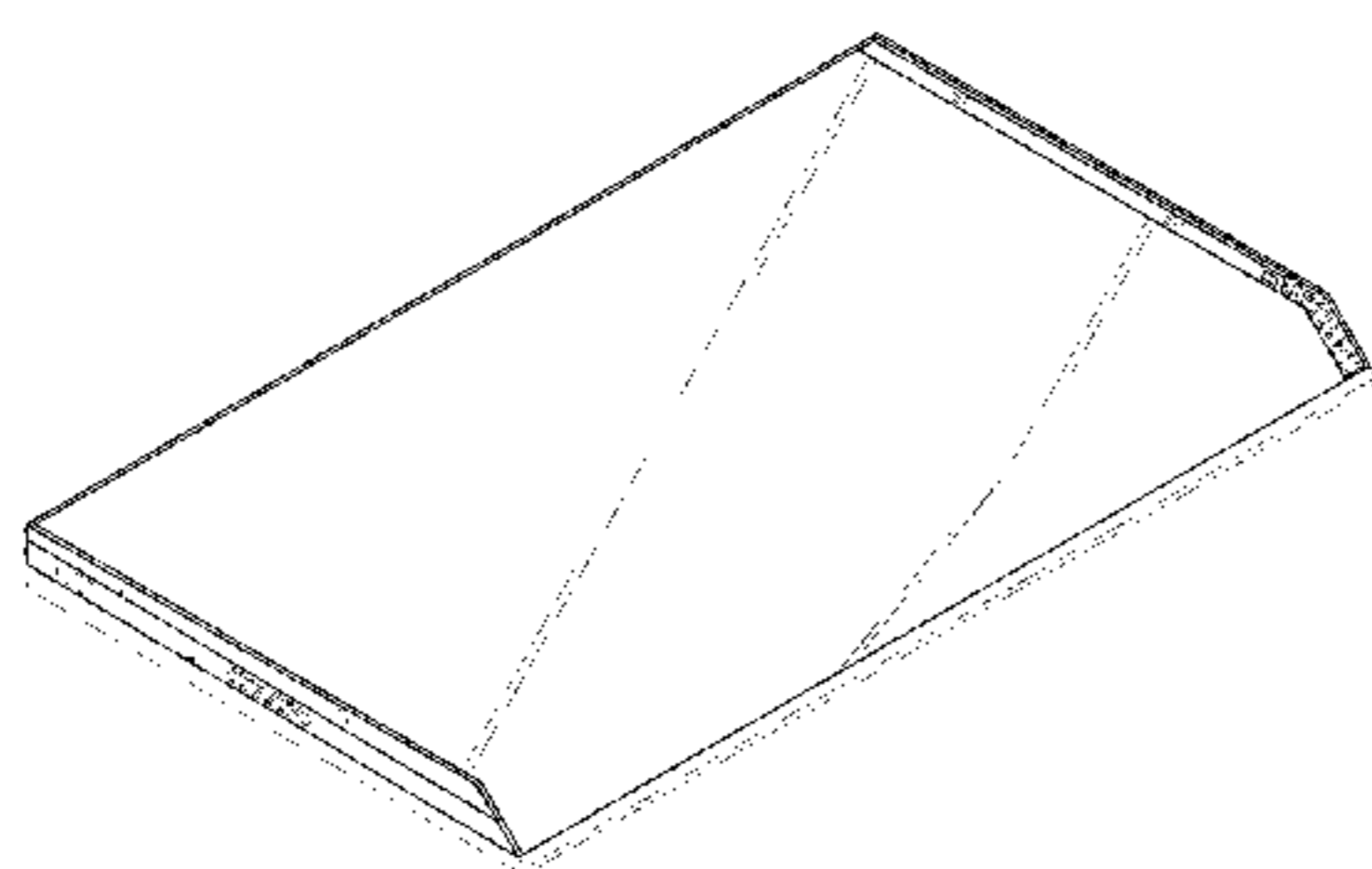
FIG. 13 is a top plan view of FIG. 8 seen from a direction E; and,

FIG. 14 is a bottom plan view of FIG. 8 seen from a direction F opposite to the direction E.

The broken lines are for environmental purpose only and form no part of the claimed design.

The dash-dot lines represent an unclaimed boundary line and form no part of the claimed design.

1 Claim, 14 Drawing Sheets



(56)

References Cited

U.S. PATENT DOCUMENTS

8,606,340 B2 *	12/2013	Pegg	H04M 1/0247 455/575.4	2007/0247798 A1 *	10/2007	Scott	G06F 1/1616 361/679.04
8,662,731 B2 *	3/2014	Wang	G09F 9/301 349/61	2010/0164888 A1 *	7/2010	Okumura	G06F 1/1626 345/173
8,803,816 B2 *	8/2014	Kilpatrick, II	G06F 1/1616 345/173	2011/0241998 A1 *	10/2011	McKinney	G06F 1/1616 345/168
D716,253 S *	10/2014	Lee	D14/138 AB	2013/0010405 A1 *	1/2013	Rothkopf	H04M 1/0216 361/679.01
8,860,765 B2 *	10/2014	Kilpatrick, II	G06F 1/1616 345/1.1	2013/0250492 A1 *	9/2013	Wong	G06F 1/1641 361/679.01
D719,542 S *	12/2014	Lee	D14/138 AB	2013/0271417 A1 *	10/2013	Nagao	G06F 3/041 345/173
2004/0008191 A1 *	1/2004	Poupyrev	G06F 3/011 345/184					

* cited by examiner

FIG. 1

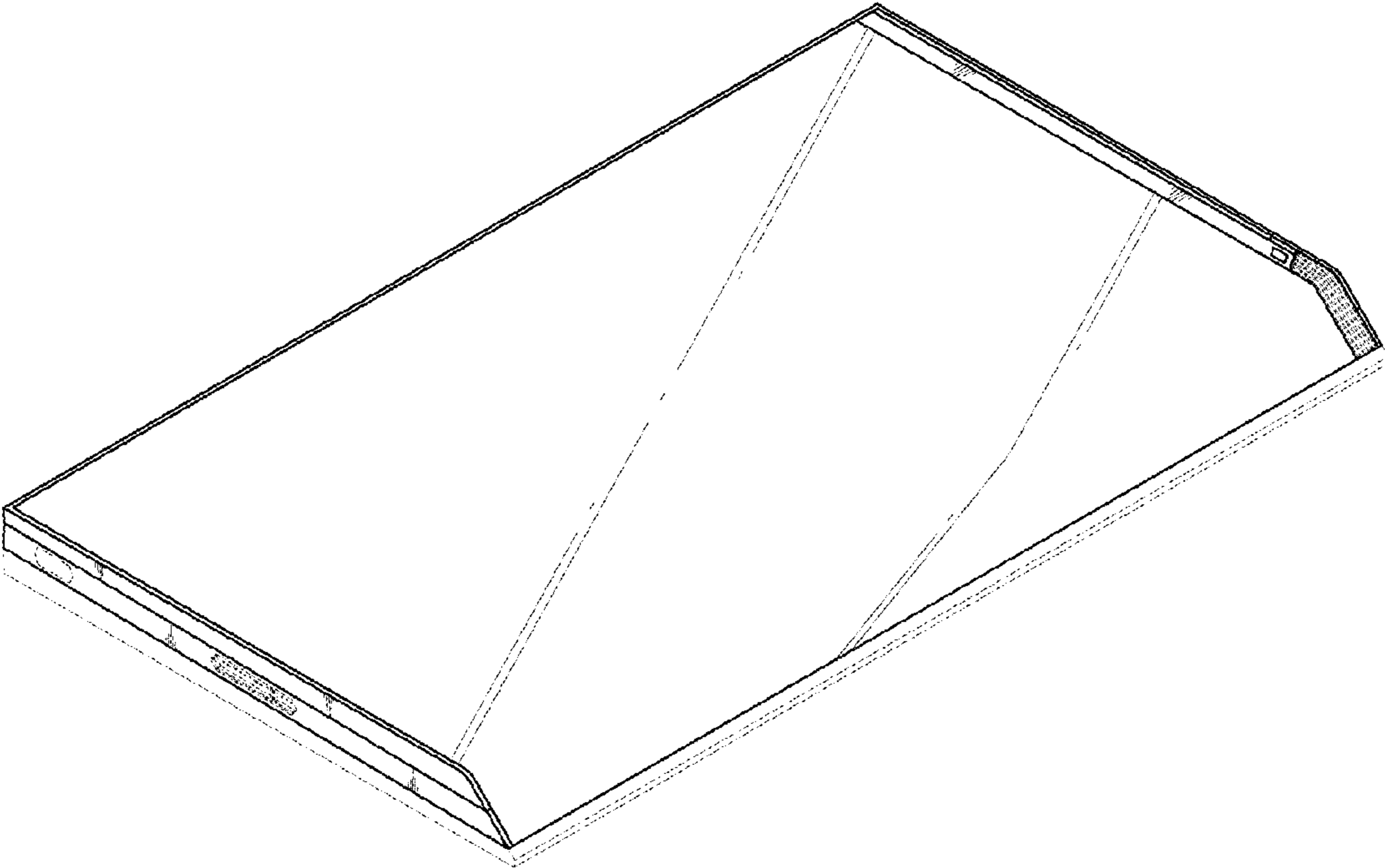


FIG. 2

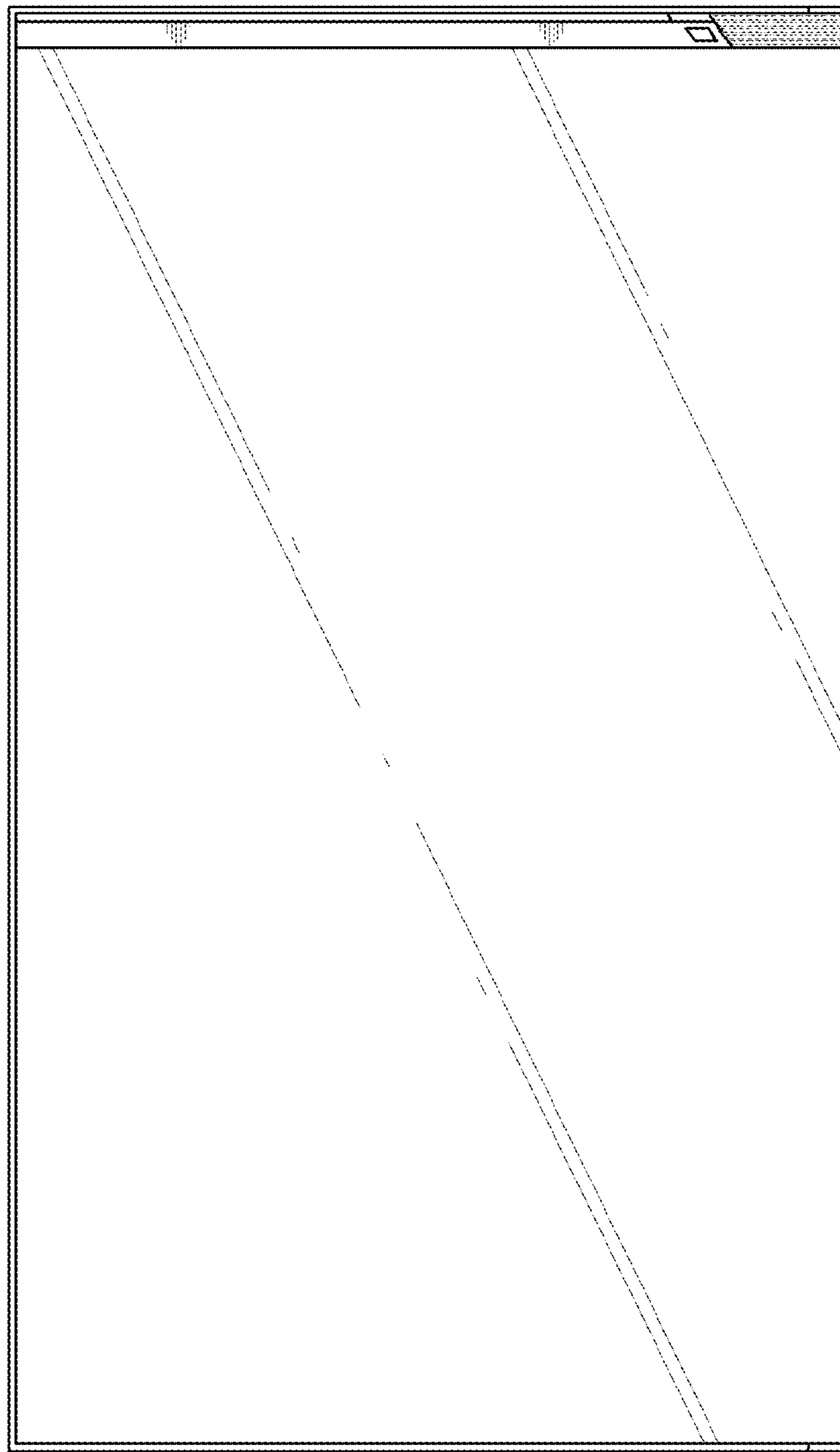


FIG. 3

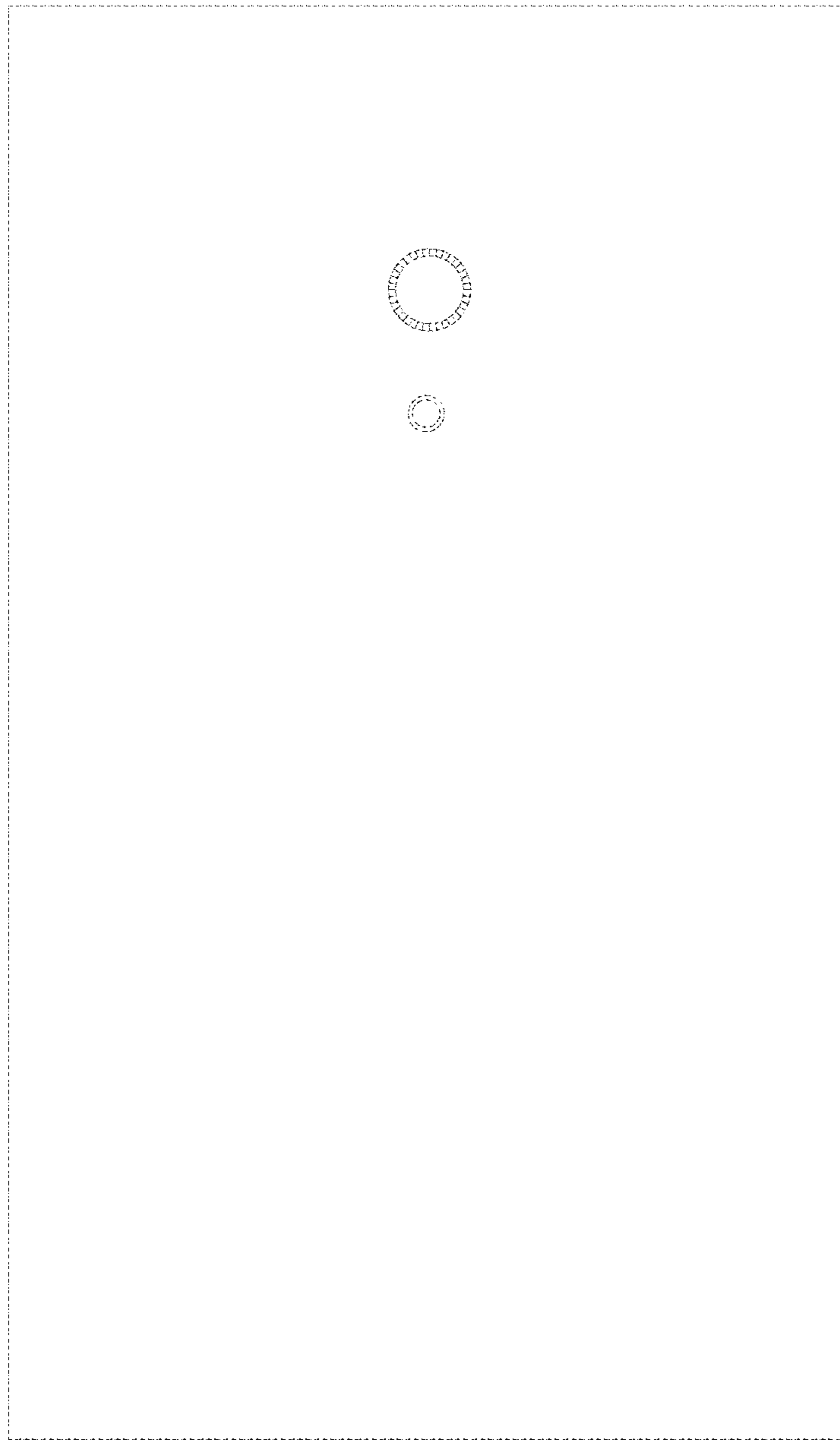


FIG. 4

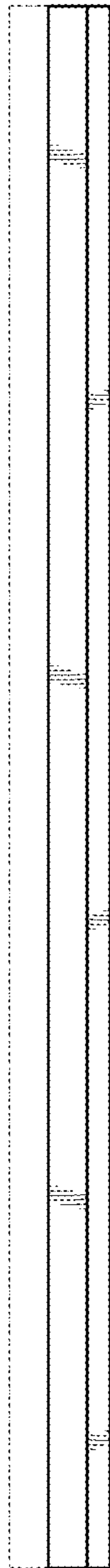


FIG. 5



FIG. 6

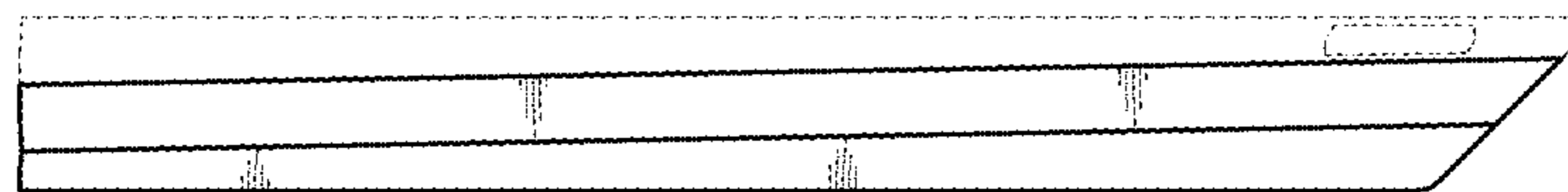


FIG. 7

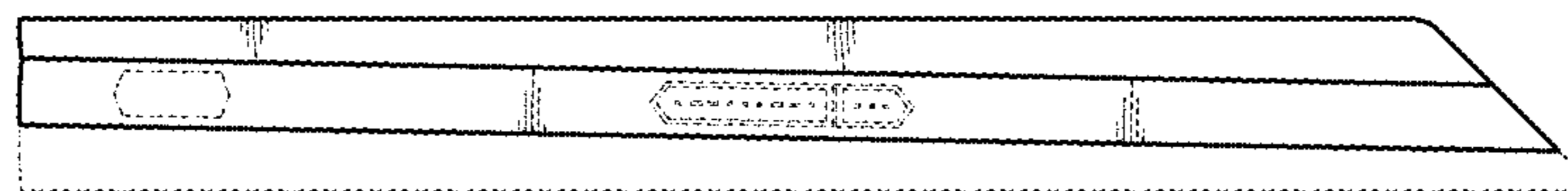


FIG. 8

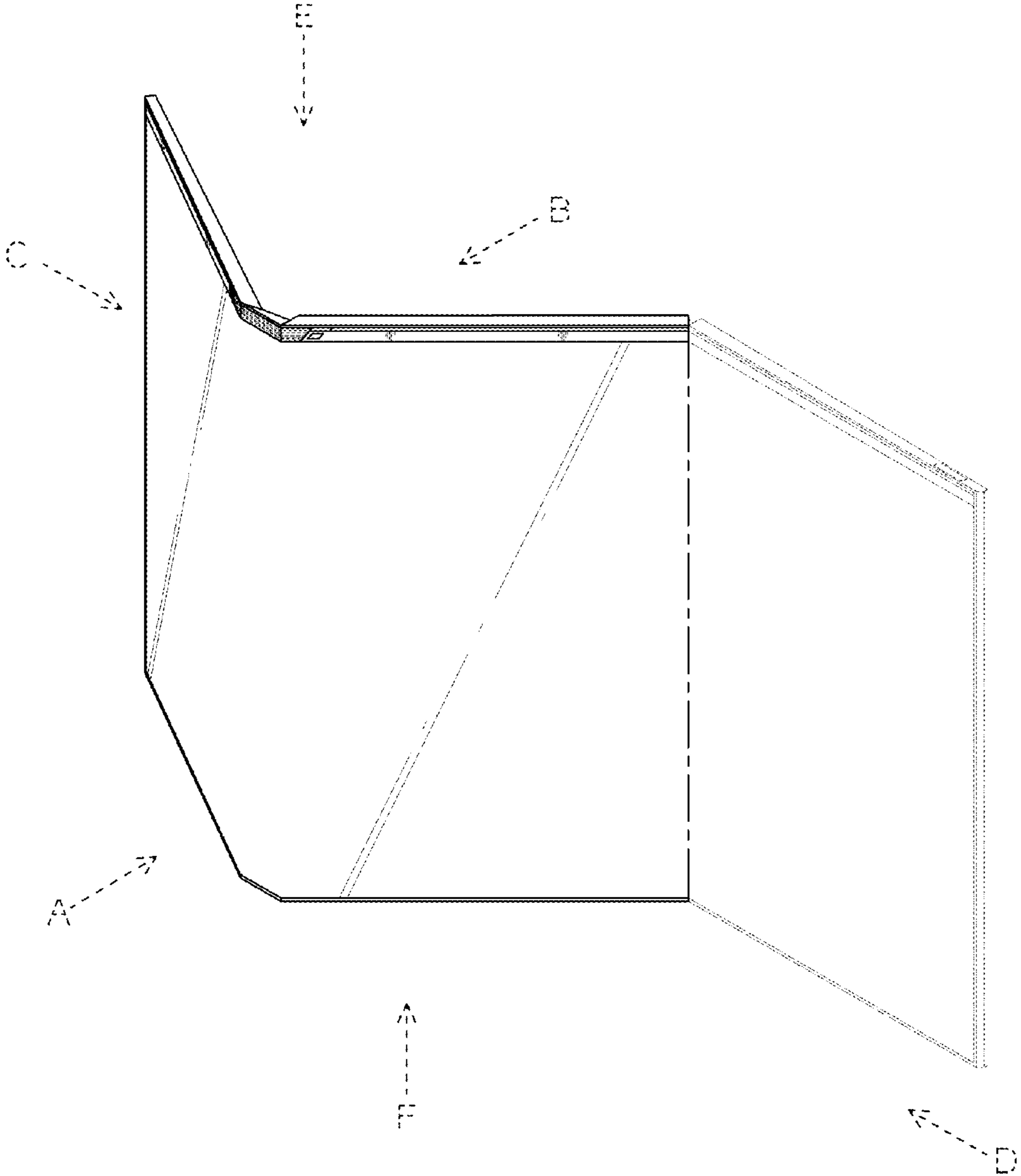


FIG. 9

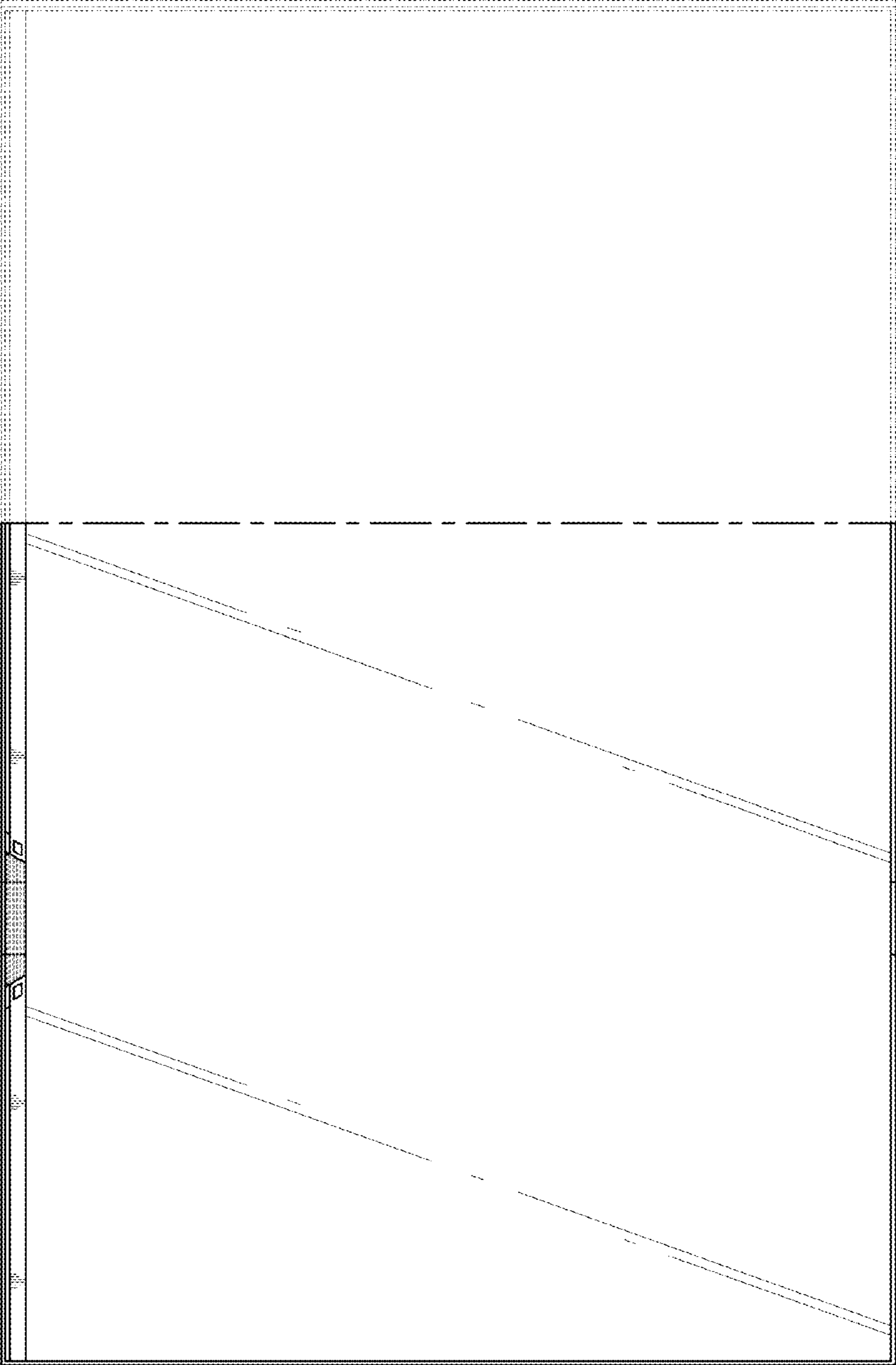


FIG. 10

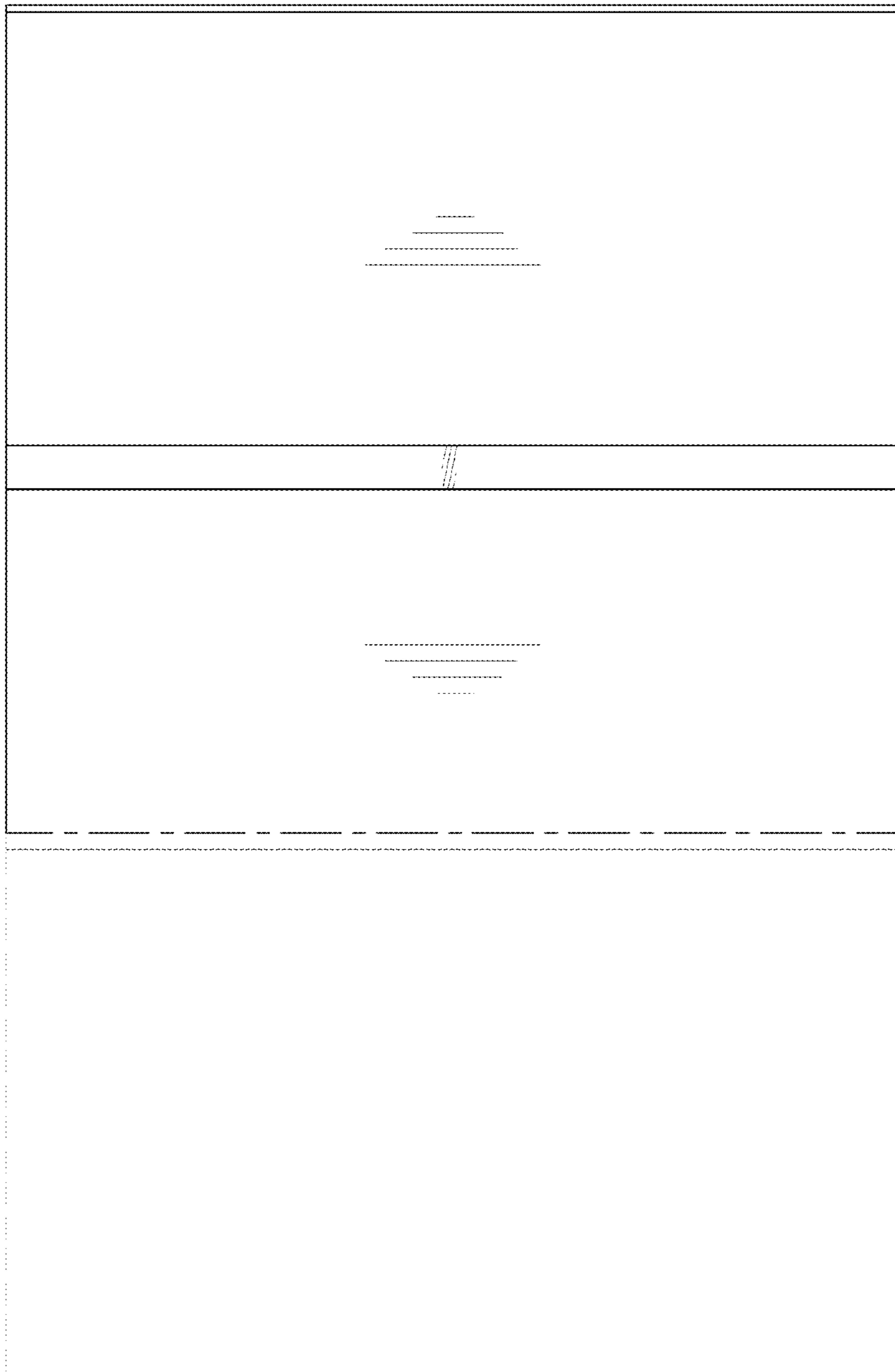


FIG. 11

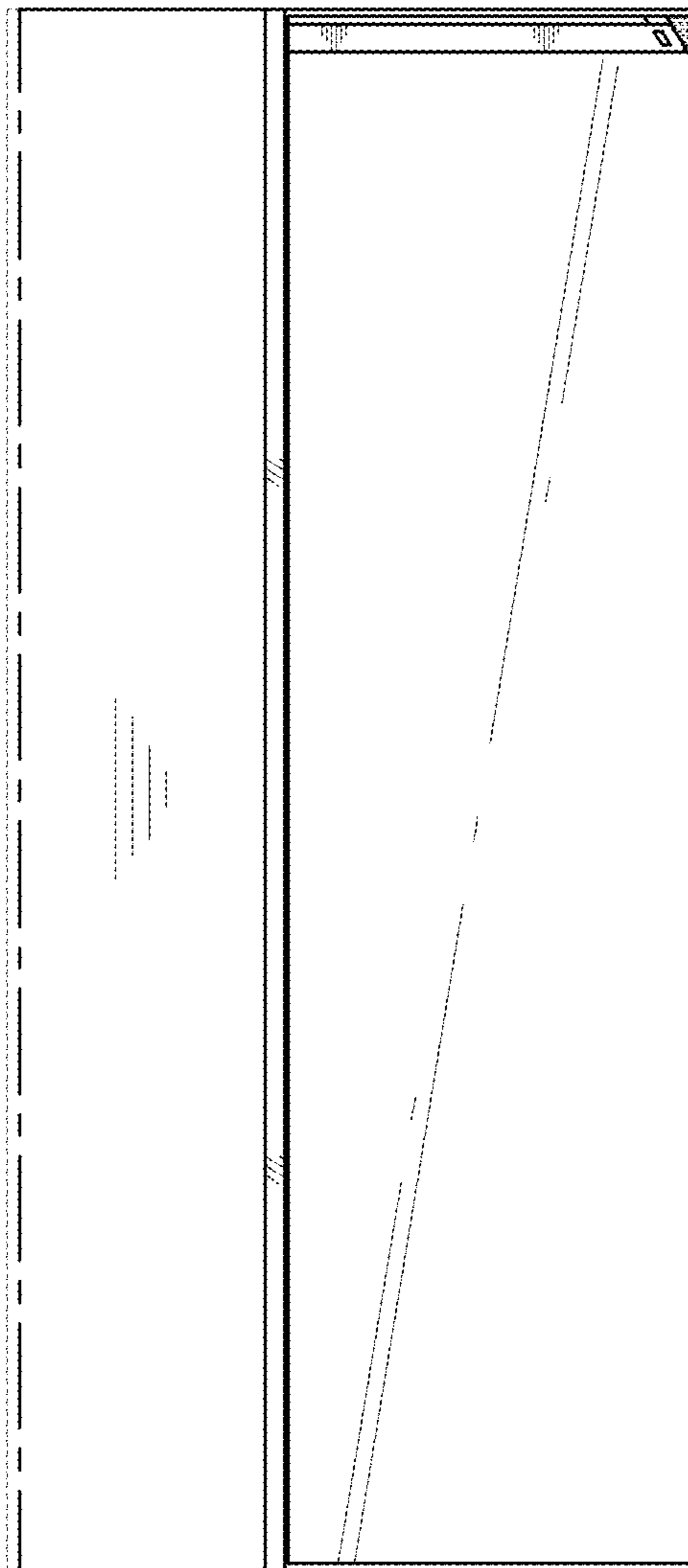


FIG. 12

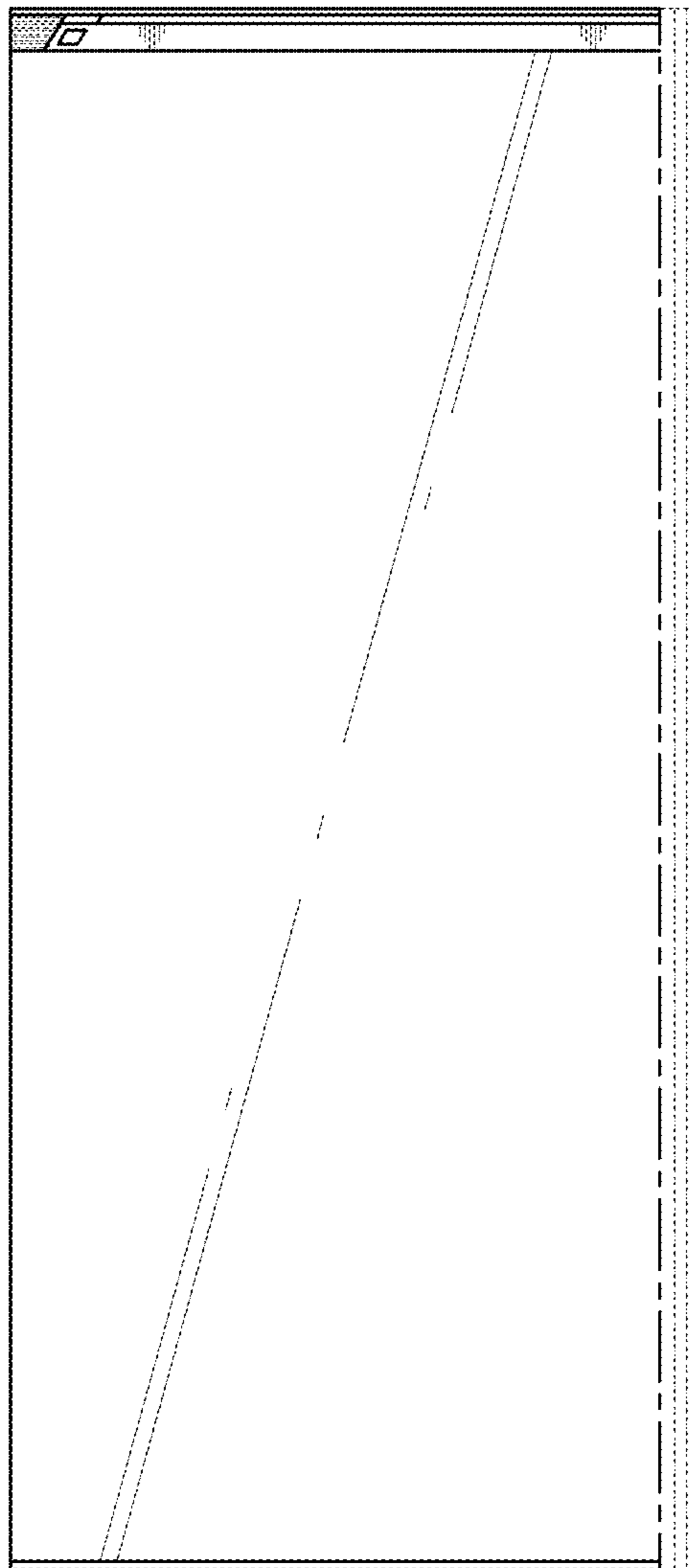


FIG. 13

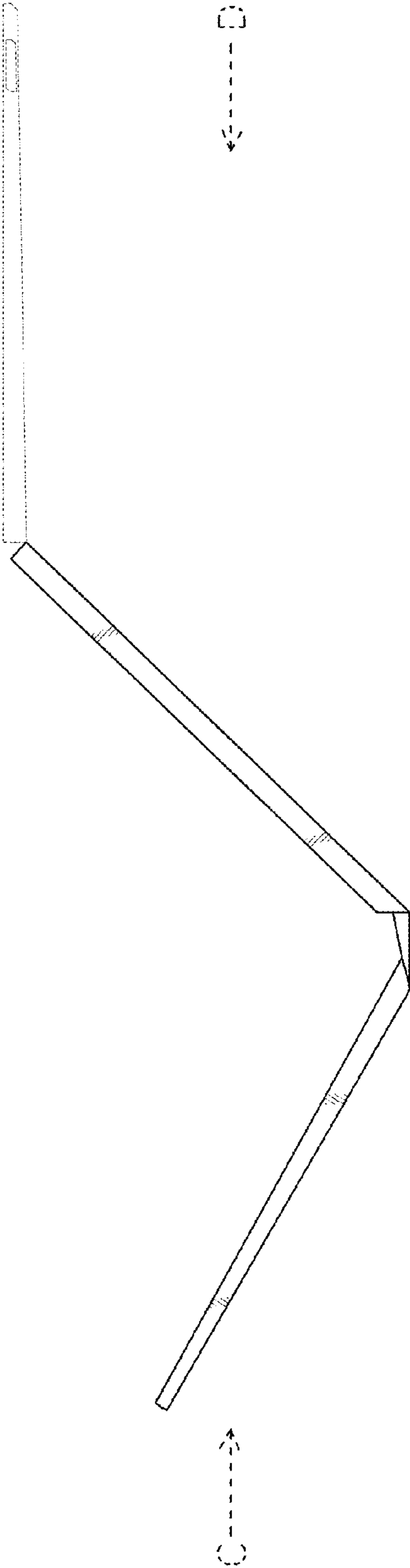


FIG. 14

