

US00D757721S

(12) **United States Design Patent**
Dallmeyer et al.

(10) **Patent No.:** **US D757,721 S**

(45) **Date of Patent:** **** *May 31, 2016**

(54) **PORTION OF A WEARABLE ELECTRONIC BAND**

(71) Applicant: **Microsoft Corporation**, Redmond, WA (US)

(72) Inventors: **Scott Dallmeyer**, Seattle, WA (US);
Quintin Morris, Issaquah, WA (US);
Stephen Minarsch, Seattle, WA (US);
Byung Joo Cho, Bellevue, WA (US);
Mark Shintaro Ando, Seattle, WA (US)

(73) Assignee: **Microsoft Corporation**, Redmond, WA (US)

(*) Notice: This patent is subject to a terminal disclaimer.

(**) Term: **14 Years**

(21) Appl. No.: **29/492,474**

(22) Filed: **May 30, 2014**

(51) **LOC (10) Cl.** **14-02**

(52) **U.S. Cl.**
USPC **D14/344**

(58) **Field of Classification Search**
USPC D14/344, 345, 347, 138 A, 138 R, 144,
D14/192; D10/70, 30, 31, 32, 38, 39;
D11/3; D24/187; 63/1.11; 600/479,
600/508, 509; 455/575.6
CPC A61B 5/681
See application file for complete search history.

(56) **References Cited**

U.S. PATENT DOCUMENTS

- 2,584,270 A * 2/1952 Hucknall G04B 37/005
224/170
- 5,228,012 A * 7/1993 Seager A44C 5/0007
224/165
- D395,403 S * 6/1998 Hysek D10/30
- D448,680 S * 10/2001 Kubo D10/30

- D460,430 S * 7/2002 Wada D10/31
- D466,487 S * 12/2002 Wada D10/31
- D466,488 S * 12/2002 Wada D10/31
- D474,697 S * 5/2003 Fu D10/30
- D503,895 S * 4/2005 Black D10/32
- D556,194 S * 11/2007 Rambosek D11/2
- D567,676 S * 4/2008 Tang D10/32
- D568,768 S * 5/2008 Tang D10/30
- D576,501 S * 9/2008 Tang D10/31
- D589,374 S * 3/2009 Tang D10/32
- D600,571 S * 9/2009 Singer D10/32
- D638,723 S * 5/2011 Ong D10/32
- 8,301,211 B2 * 10/2012 Lee H04M 1/274525
340/539.11
- D703,069 S * 4/2014 Adams D10/31
- D711,002 S * 8/2014 Ohnemus D24/186
- D714,179 S * 9/2014 Park D11/3
- D721,701 S * 1/2015 Al-Nasser D14/344
- D729,238 S * 5/2015 Song D14/344
- D730,347 S * 5/2015 Jung D14/344
- D736,767 S * 8/2015 Lee D14/344

(Continued)

Primary Examiner — Paula Greene

(74) *Attorney, Agent, or Firm* — Brandon Roper; Judy Yee; Micky Minhas

(57) **CLAIM**

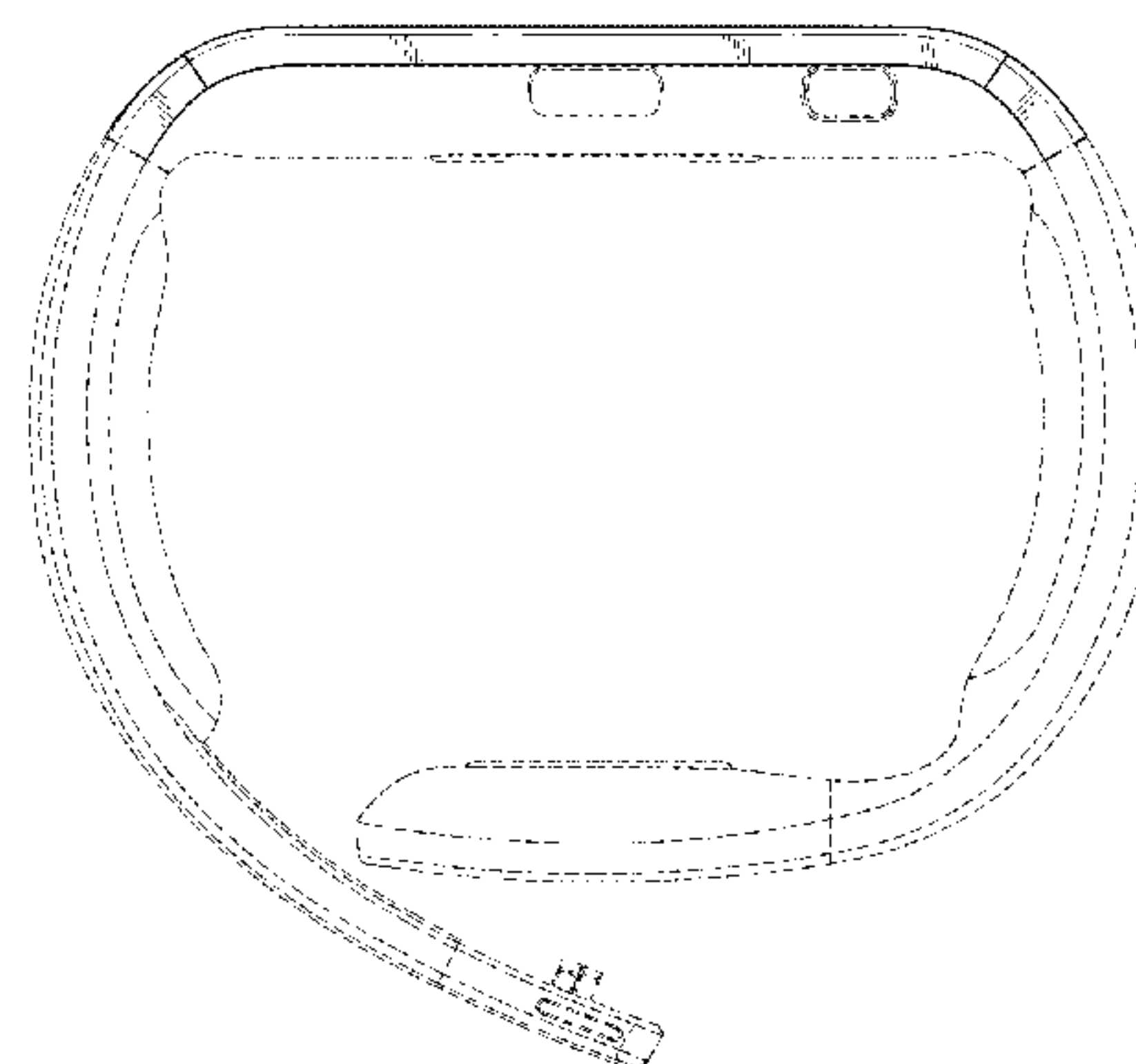
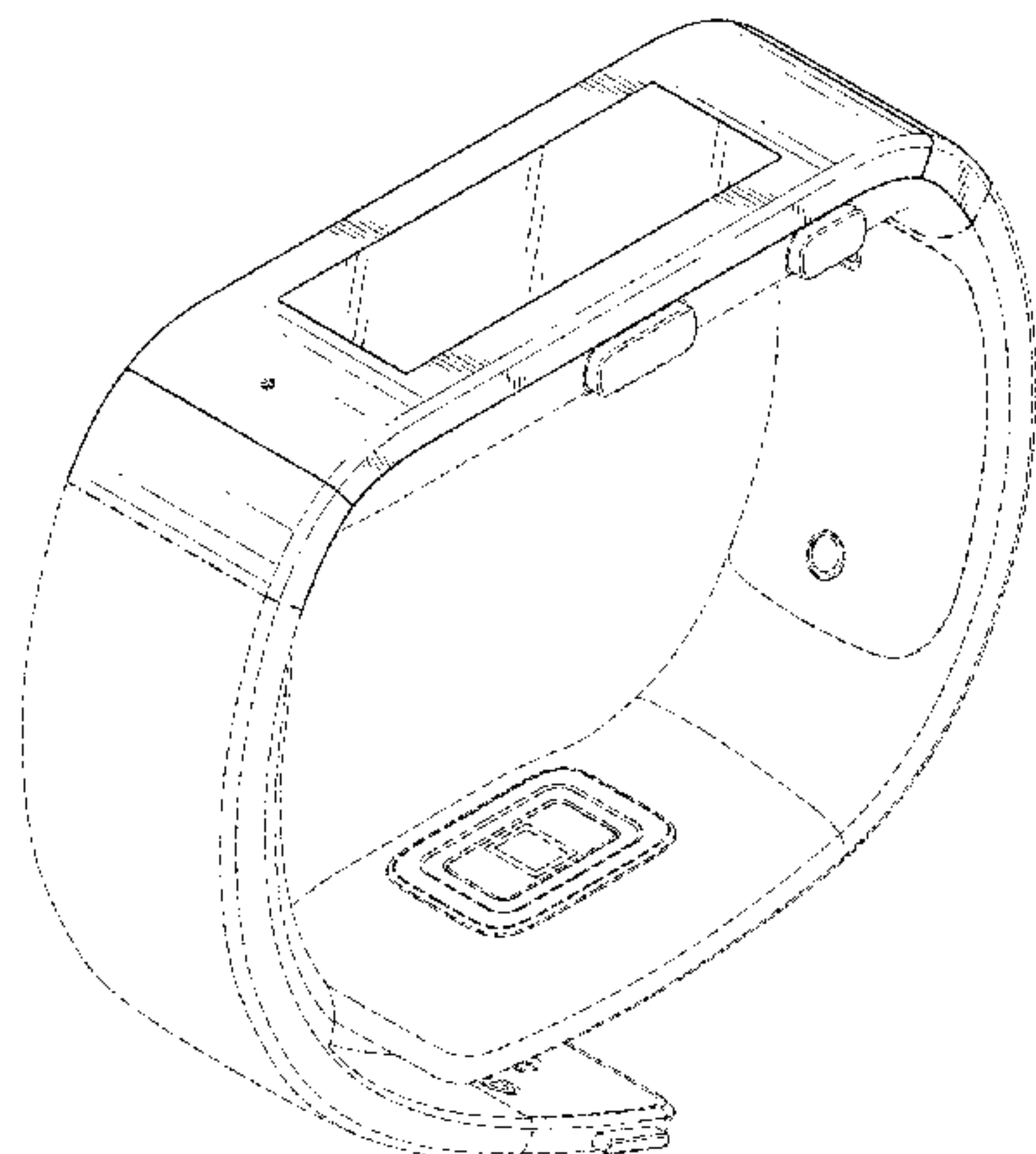
The ornamental design for a portion of a wearable electronic band, as shown and described.

DESCRIPTION

FIG. 1 is a front top perspective view of a portion of a wearable electronic band showing our new design;
FIG. 2 is a top view thereof;
FIG. 3 is a left side view thereof;
FIG. 4 is a right side view thereof;
FIG. 5 is a front view thereof; and,
FIG. 6 is a back view thereof.

In the drawings, the evenly-spaced broken lines depict environmental subject matter only that forms no part of the claimed design; the dash-dot-dash lines represent boundaries of the claimed design and form no part thereof.

1 Claim, 4 Drawing Sheets



US D757,721 S

Page 2

(56)

References Cited

2007/0270199 A1* 11/2007 Kim H04B 1/385
455/575.6

U.S. PATENT DOCUMENTS

2002/0105859 A1* 8/2002 Davidson H04B 1/385
368/13

* cited by examiner

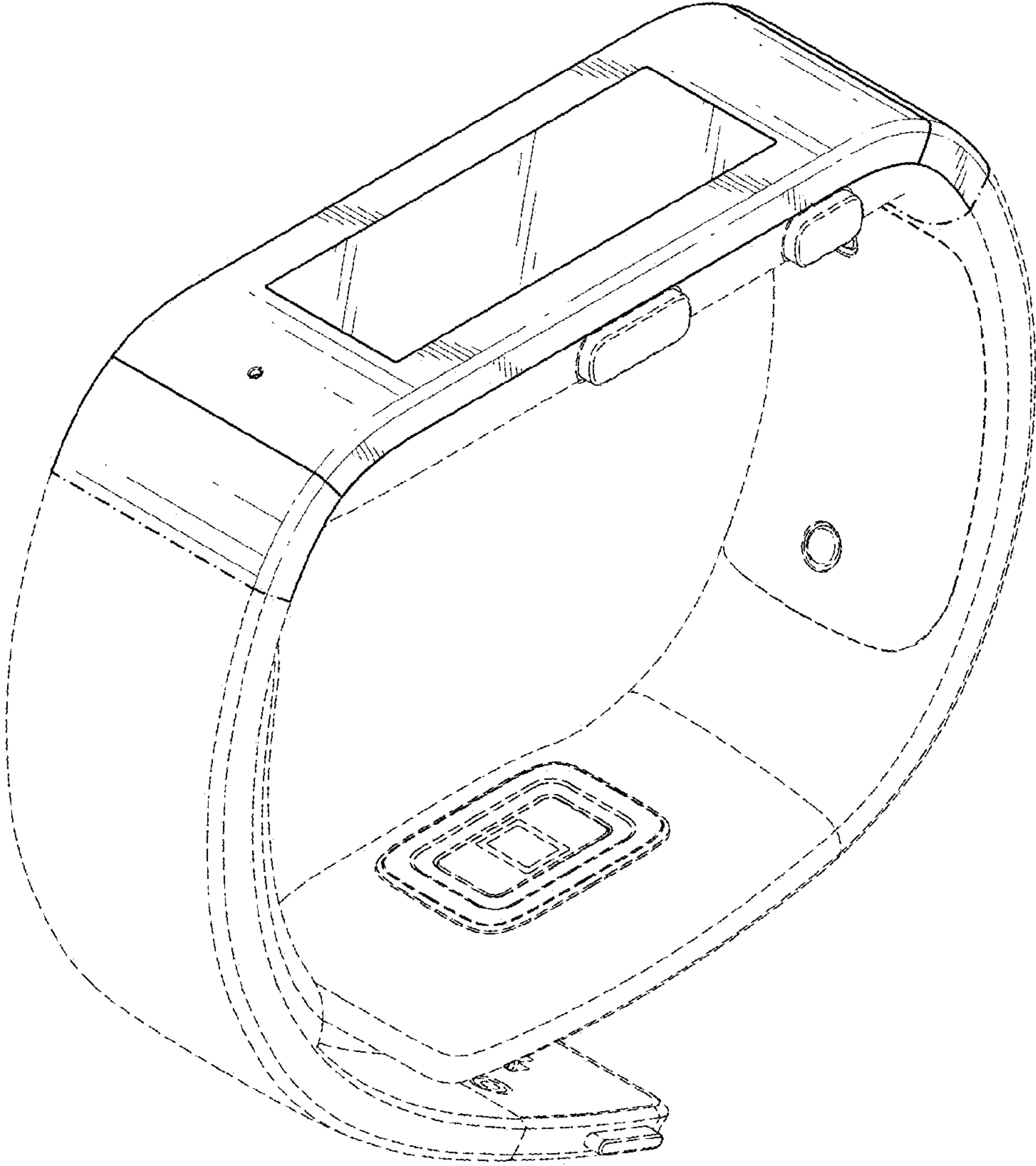


FIG. 1

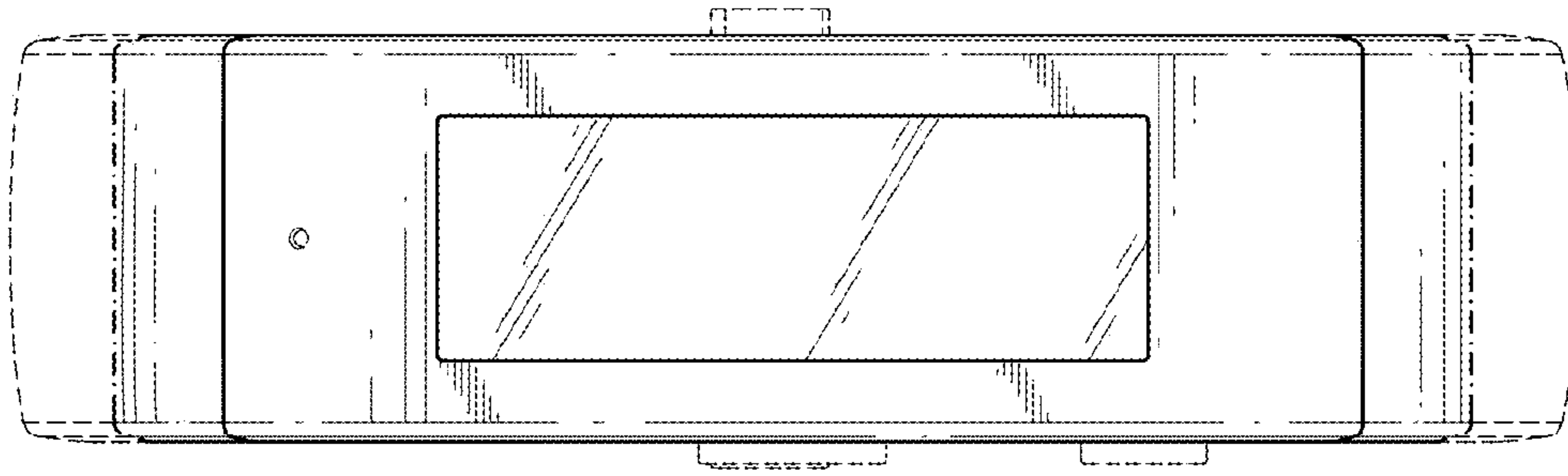


FIG. 2

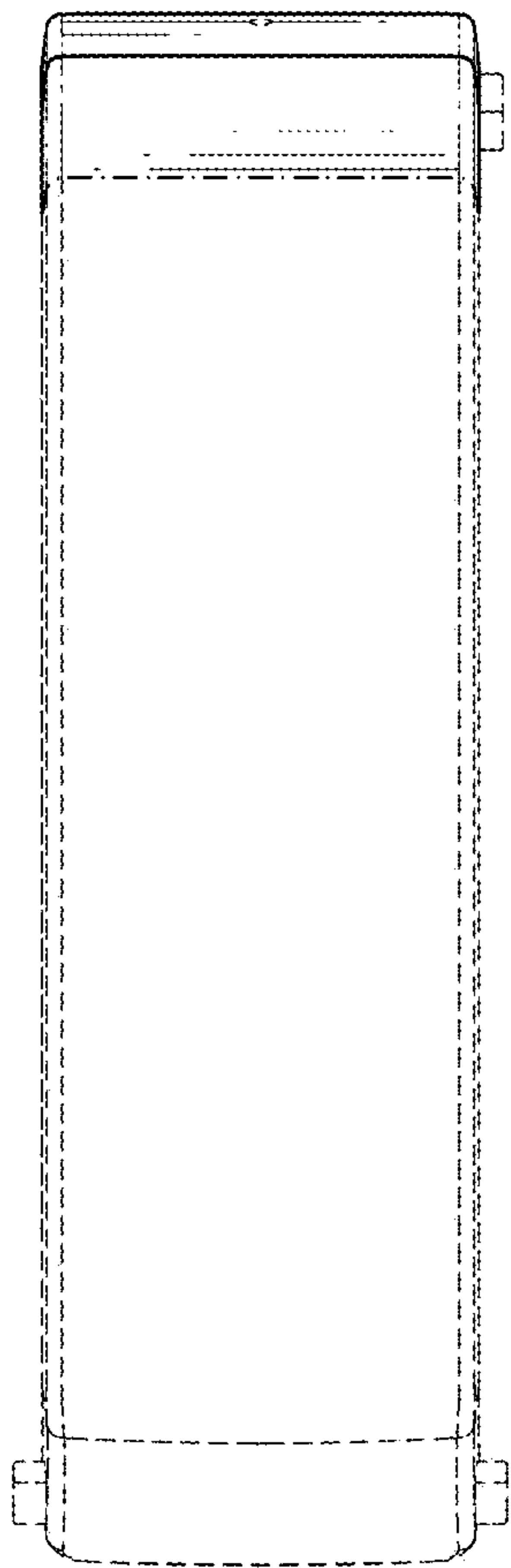


FIG. 3

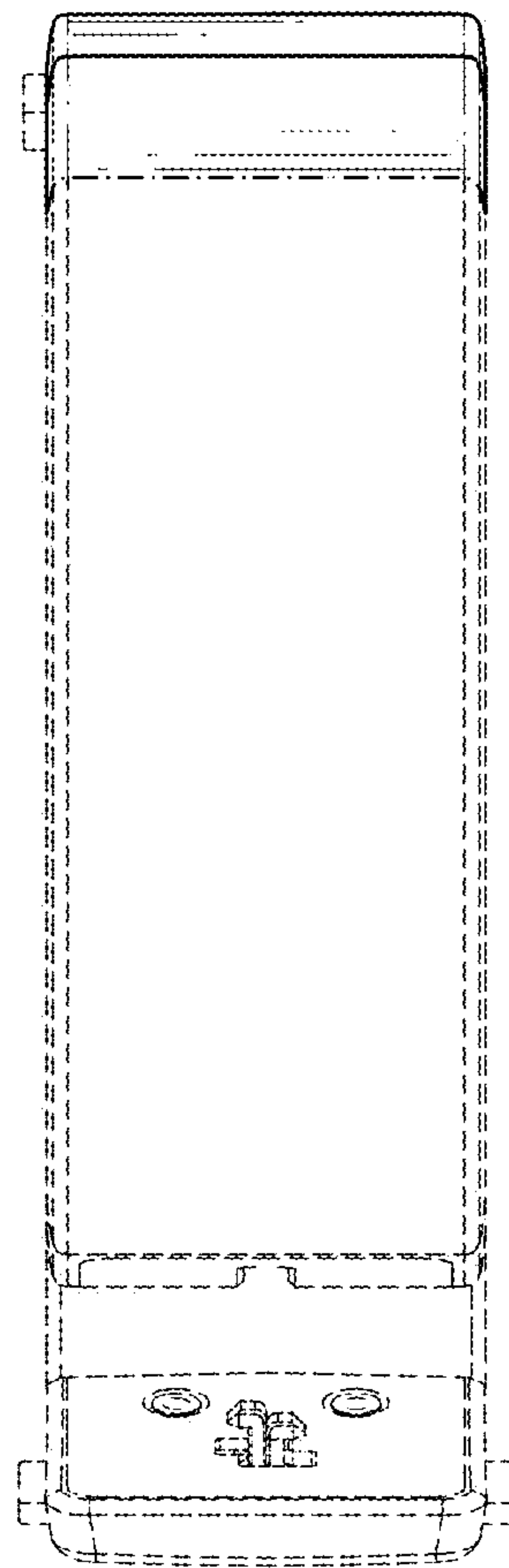


FIG. 4

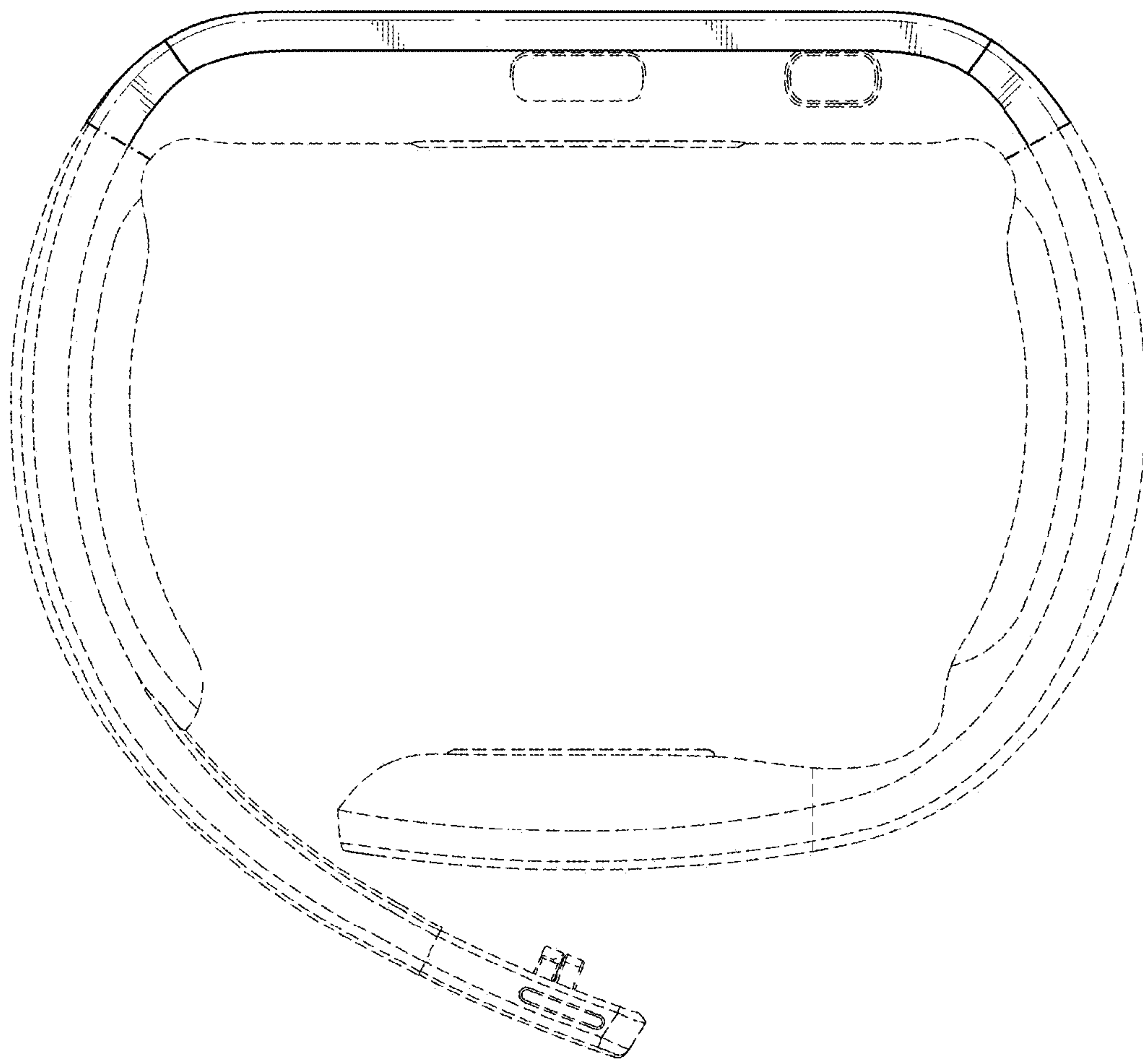


FIG. 5

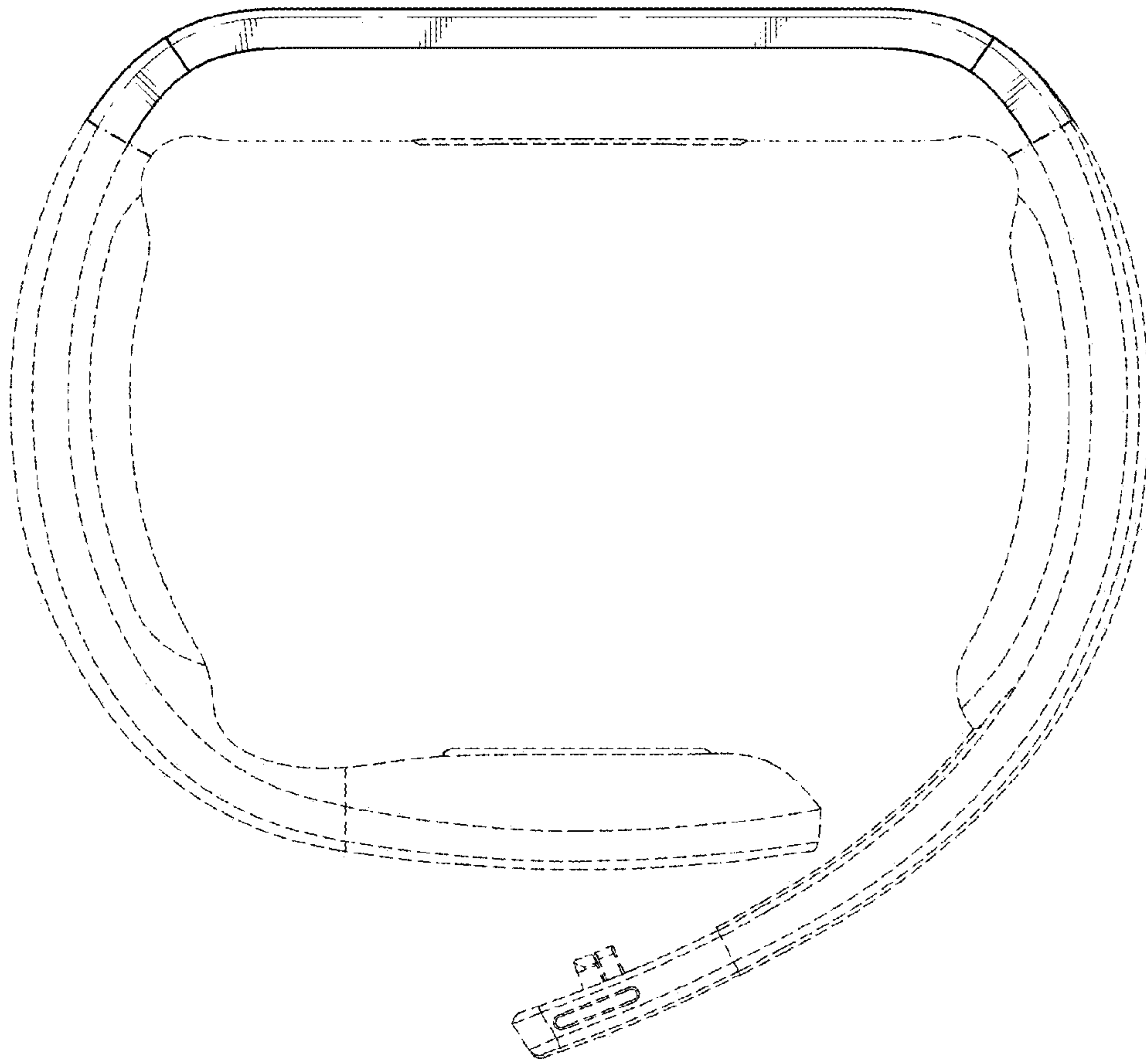


FIG. 6