

US00D757720S

(12) **United States Design Patent**
Lai et al.

(10) **Patent No.:** **US D757,720 S**
(45) **Date of Patent:** **** May 31, 2016**

(54) **TABLET PERSONAL COMPUTER**
(71) Applicant: **HON HAI PRECISION INDUSTRY CO., LTD.,** New Taipei (TW)
(72) Inventors: **Yi-Chun Lai,** New Taipei (TW); **Bei-Bei Ji,** Shenzhen (CN)
(73) Assignee: **HON HAI PRECISION INDUSTRY CO., LTD.,** New Taipei (TW)
(**) Term: **14 Years**
(21) Appl. No.: **29/506,072**
(22) Filed: **Oct. 13, 2014**

D666,198 S * 8/2012 Van Den Nieuwenhuizen D14/341
D668,249 S * 10/2012 Kim D14/138 G
D669,469 S * 10/2012 Kang D14/341
D671,938 S * 12/2012 Hsu D14/341
D672,344 S * 12/2012 Li D14/341
D672,768 S * 12/2012 Huang D14/341
D677,255 S * 3/2013 McManigal D14/341
D680,524 S * 4/2013 Feng D14/341
D689,481 S * 9/2013 Song D14/341
D692,880 S * 11/2013 Song D14/341
D698,353 S * 1/2014 Choi D14/138
D698,785 S * 2/2014 Canizares D14/341
D702,230 S * 4/2014 Toh D14/341
D702,233 S * 4/2014 Lee D14/341
D712,402 S * 9/2014 Park D14/341

(30) **Foreign Application Priority Data**
Apr. 25, 2014 (CN) 2014 3 0105016
(51) **LOC (10) Cl.** **14-02**
(52) **U.S. Cl.**
USPC **D14/341**
(58) **Field of Classification Search**
USPC D14/341-347, 137, 138 R, 138 AA, D14/138 C, 138 G, 496, 203.1, 203.3, 203.4, D14/203.7, 129, 130, 147, 218, 247, 248, D14/250, 374, 371, 385, 388, 389, 315-318, D14/420, 426, 439, 440; D21/324, 329, D21/332; D10/104.1
CPC H04M 1/0202; H04M 1/0279; H04M 1/0281; H04M 1/0283; H04M 1/0214; H04M 1/72544; H04M 1/72552; G06F 1/1613; G06F 1/1624; G06F 1/1626; G06F 1/165; G06F 3/0485; G06F 3/0488
See application file for complete search history.

FOREIGN PATENT DOCUMENTS

TW D148310 S1 7/2012
TW D158702 S 2/2014

* cited by examiner

Primary Examiner — George D Kirschbaum
Assistant Examiner — Clese Moore, Jr.
(74) *Attorney, Agent, or Firm* — Novak Druce Connolly Bove + Quigg LLP

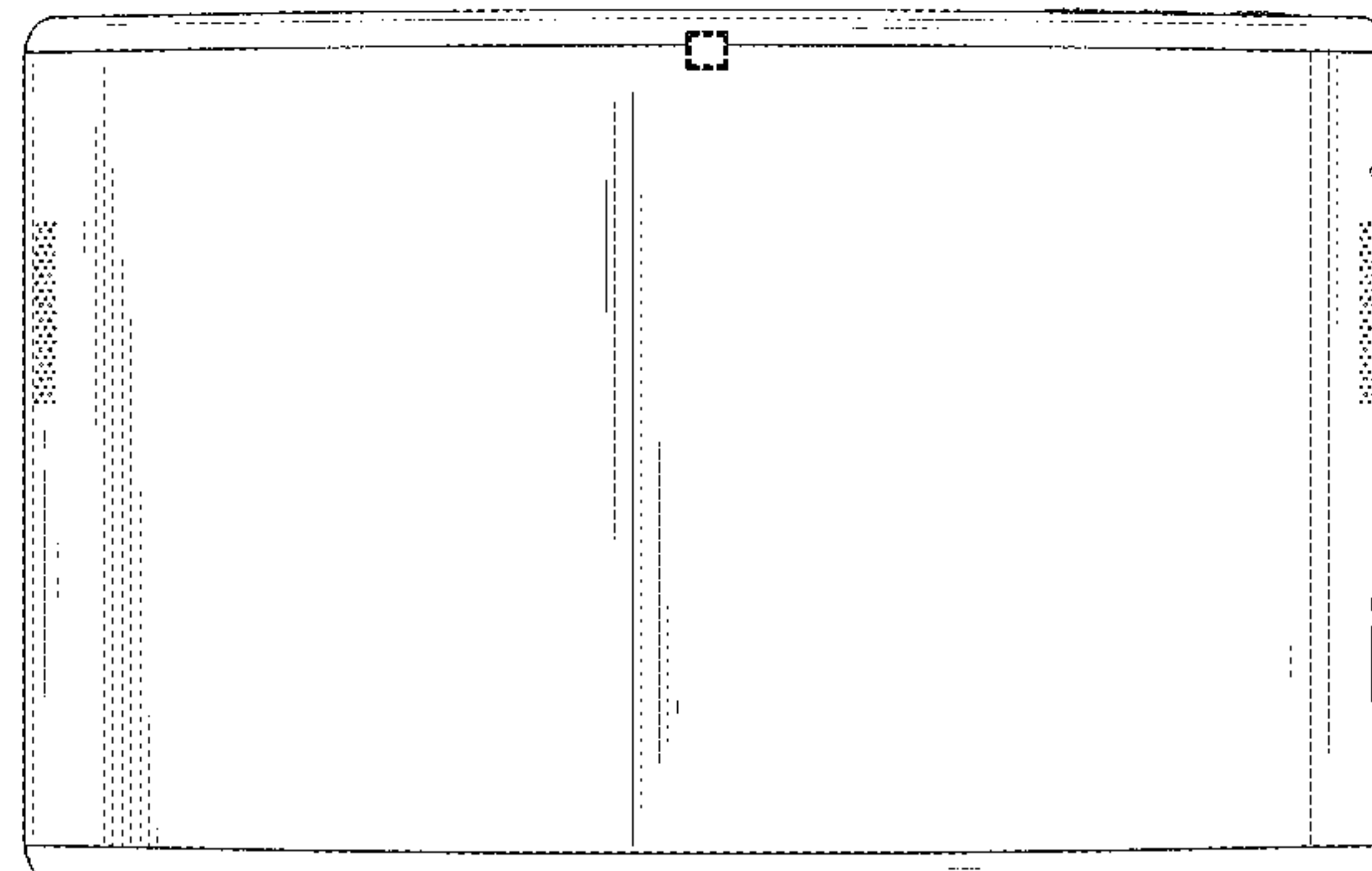
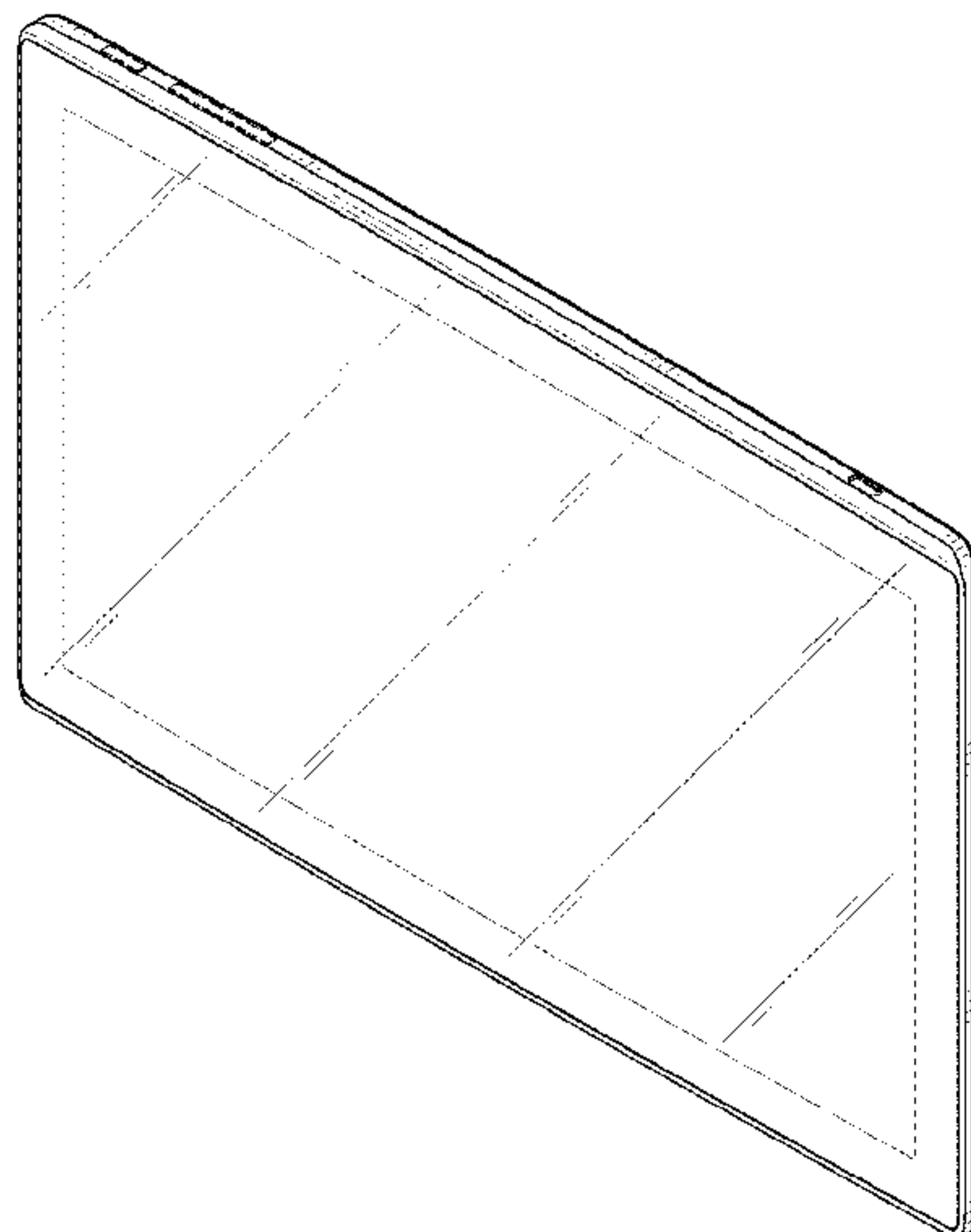
(57) **CLAIM**
The ornamental design for a tablet personal computer, as shown and described.

DESCRIPTION

FIG. 1 is a perspective view of a tablet personal computer; FIG. 2 is a front elevational view thereof; FIG. 3 is a rear elevational view thereof; FIG. 4 is a left side elevational view thereof; FIG. 5 is a right side elevational view thereof; FIG. 6 is a top plan view thereof; and, FIG. 7 is a bottom plan view thereof.
The broken lines illustrate portions of the tablet personal computer and form no part of the claimed design.

1 Claim, 7 Drawing Sheets

(56) **References Cited**
U.S. PATENT DOCUMENTS
D598,015 S * 8/2009 Busri D14/341
D645,833 S * 9/2011 Seflic D14/138 G



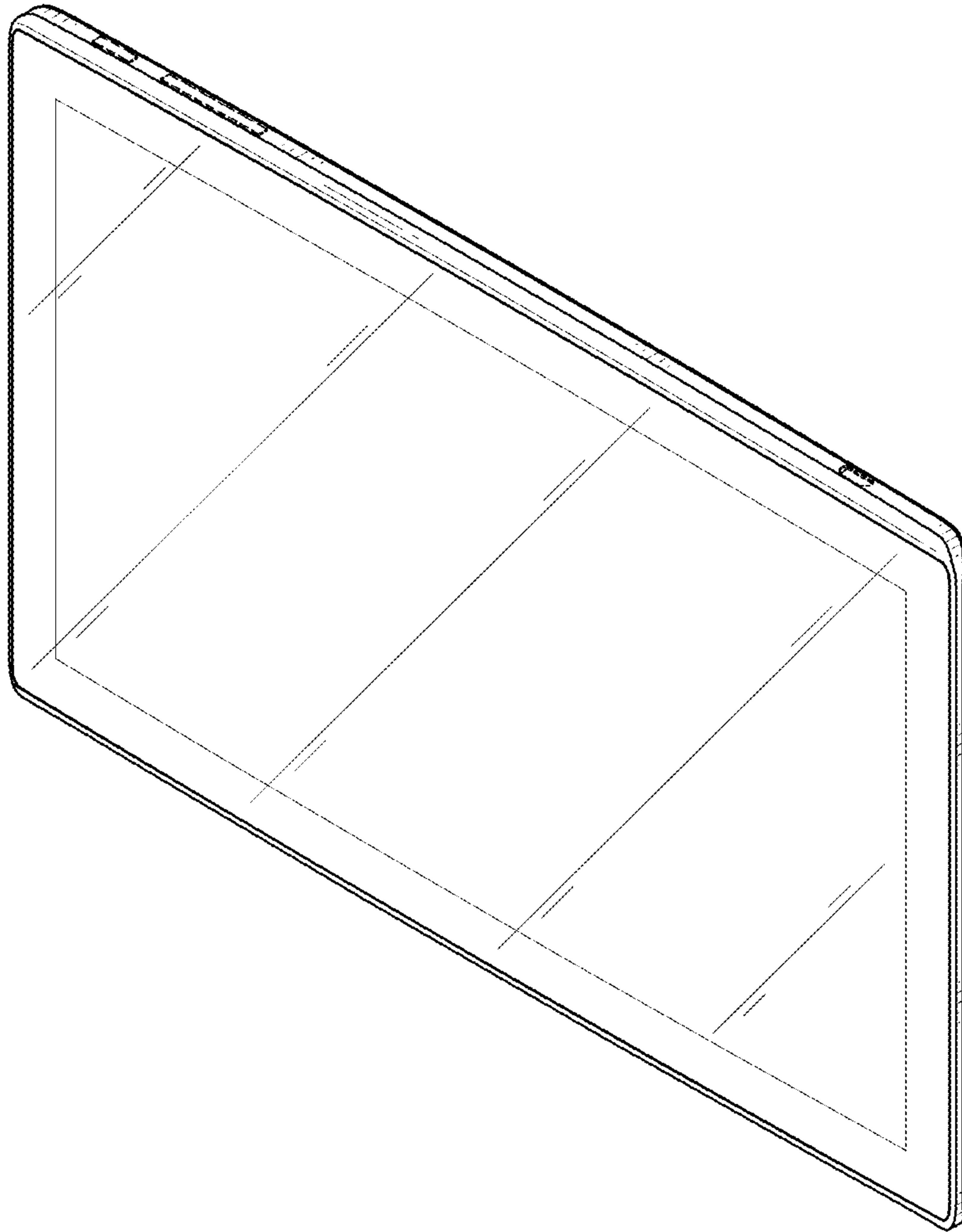


FIG. 1

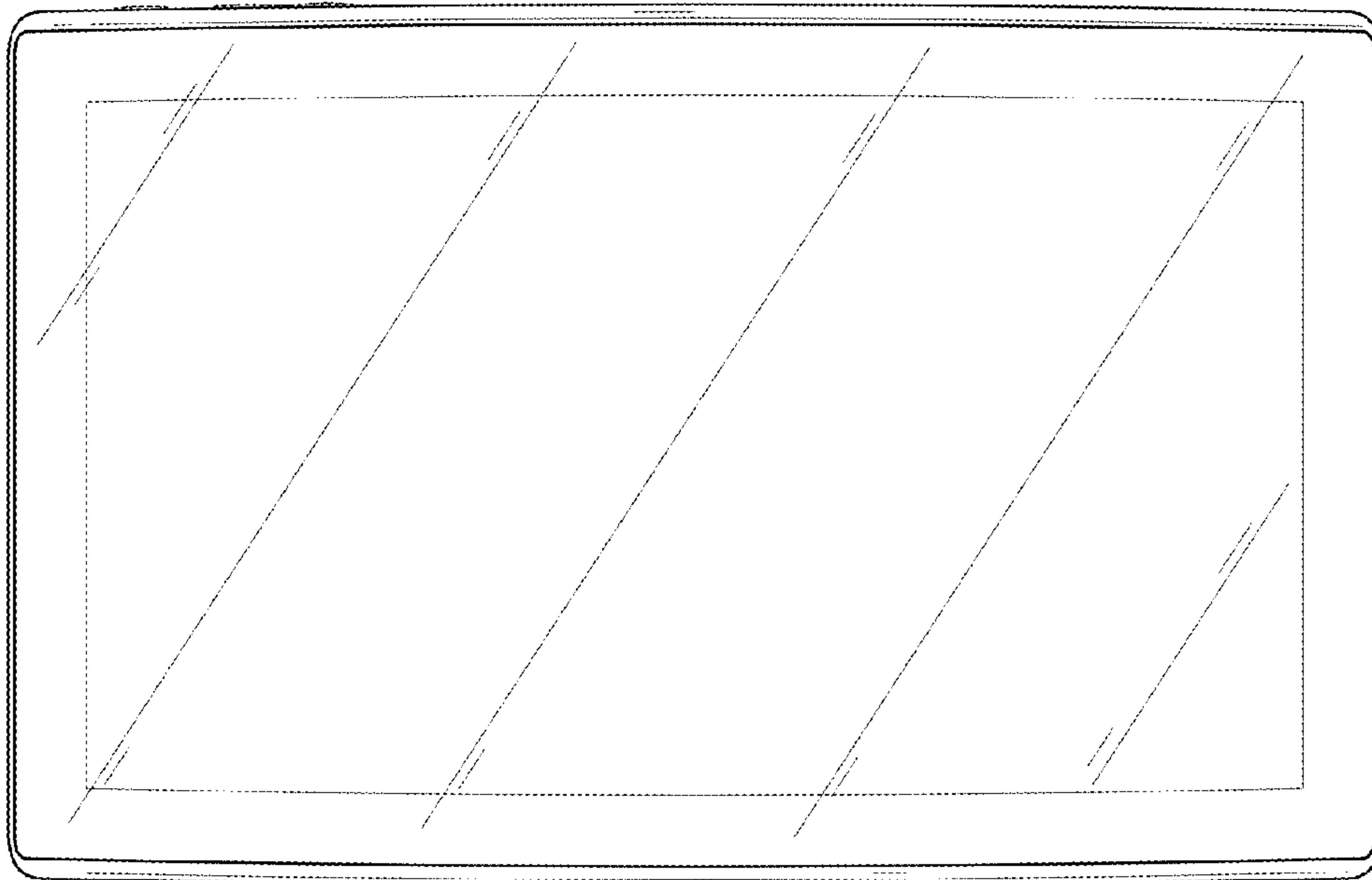


FIG. 2

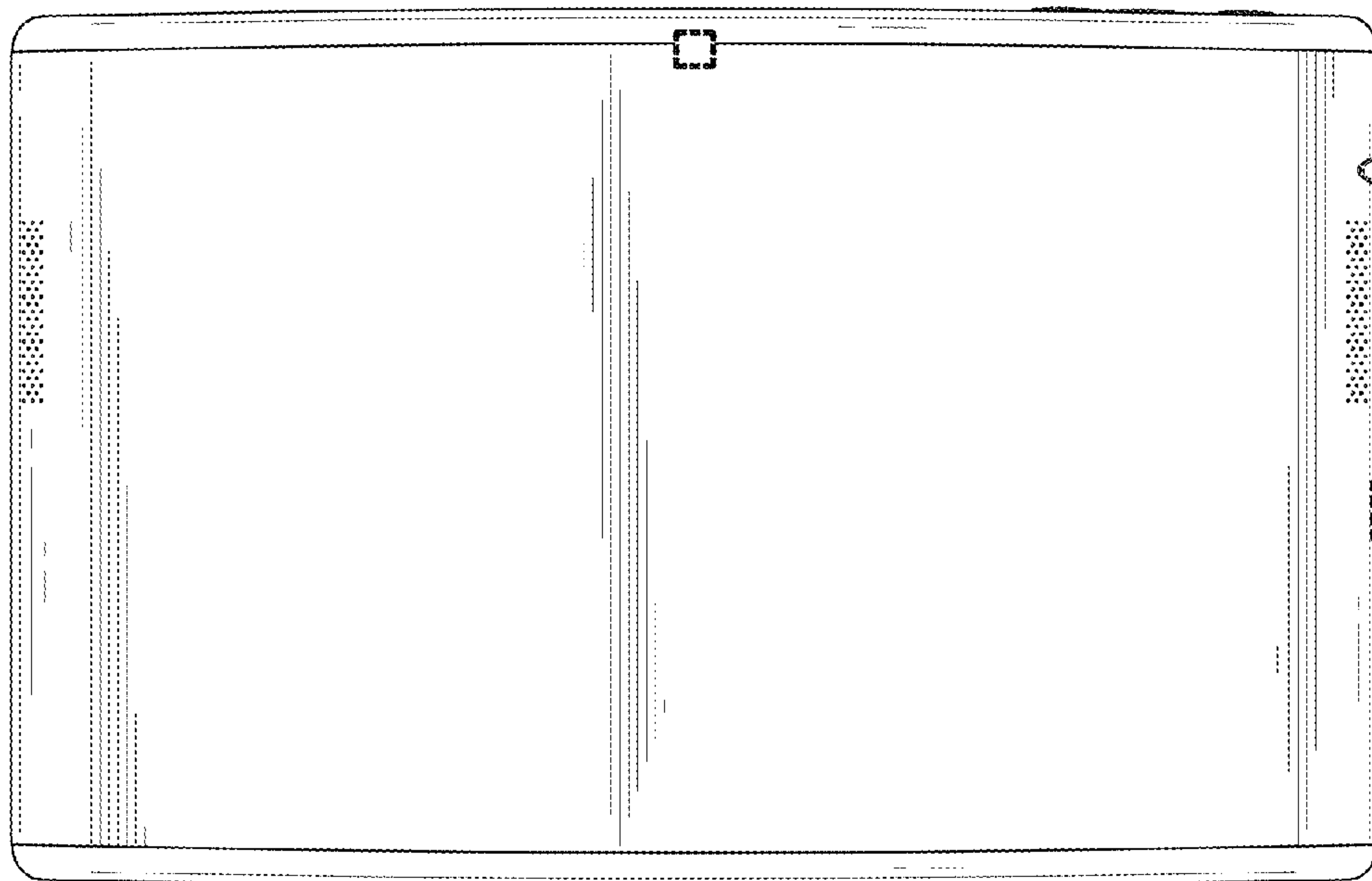


FIG. 3

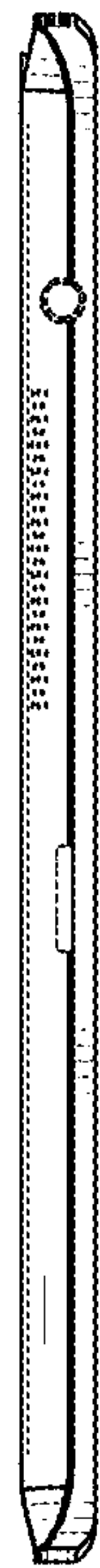


FIG. 4

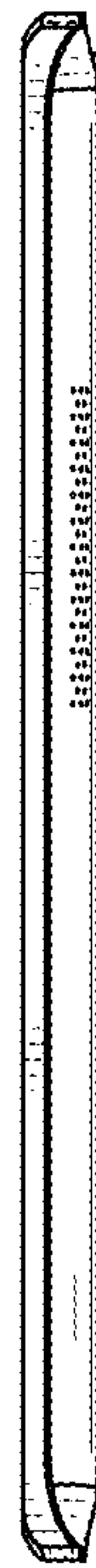


FIG. 5

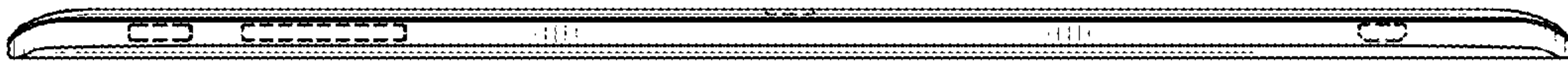


FIG. 6

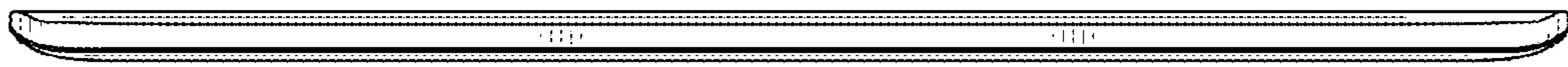


FIG. 7