



US00D757719S

(12) **United States Design Patent**  
**Lai et al.**

(10) **Patent No.:** **US D757,719 S**  
(45) **Date of Patent:** **\*\* May 31, 2016**

(54) **TABLET PERSONAL COMPUTER**  
(71) Applicant: **HON HAI PRECISION INDUSTRY CO., LTD.**, New Taipei (TW)  
(72) Inventors: **Yi-Chun Lai**, New Taipei (TW); **Bei-Bei Ji**, Shenzhen (CN)  
(73) Assignee: **HON HAI PRECISION INDUSTRY CO., LTD.**, New Taipei (TW)  
(\*\*) Term: **14 Years**  
(21) Appl. No.: **29/506,070**  
(22) Filed: **Oct. 13, 2014**

D666,620 S \* 9/2012 Harper ..... D14/448  
D667,400 S \* 9/2012 Van Den Nieuwenhuizen ..... D14/341  
D668,249 S \* 10/2012 Kim ..... D14/138 G  
D668,652 S \* 10/2012 Kim ..... D14/138 G  
D671,113 S \* 11/2012 Amemiya ..... D14/341  
D672,768 S \* 12/2012 Huang ..... D14/341  
D676,046 S \* 2/2013 Hatori ..... D14/341  
D677,255 S \* 3/2013 McManigal ..... D14/341  
D680,524 S \* 4/2013 Feng ..... D14/341  
D684,571 S \* 6/2013 Akana ..... D14/341  
D687,032 S \* 7/2013 Sanjo ..... D14/341  
D689,481 S \* 9/2013 Song ..... D14/341  
D689,856 S \* 9/2013 Shen ..... D14/341  
D692,880 S \* 11/2013 Song ..... D14/341

(Continued)

(30) **Foreign Application Priority Data**  
Apr. 25, 2014 (CN) ..... 2014 3 0105016  
(51) **LOC (10) Cl.** ..... **14-02**  
(52) **U.S. Cl.**  
USPC ..... **D14/341**  
(58) **Field of Classification Search**  
USPC ..... D14/341-347, 137, 138 R, 138 AA, D14/138 C, 138 G, 496, 203.1, 203.3, 203.4, D14/203.7, 129, 130, 147, 218, 247, 248, D14/250, 374, 371, 385, 388, 389, 315-318, D14/420, 426, 439, 440; D21/324, 329, D21/332; D10/104.1  
CPC ..... H04M 1/0202; H04M 1/0279; H04M 1/0281; H04M 1/0283; H04M 1/0214; H04M 1/72544; H04M 1/72552; G06F 1/1613; G06F 1/1624; G06F 1/1626; G06F 1/165; G06F 3/0485; G06F 3/0488  
See application file for complete search history.

**FOREIGN PATENT DOCUMENTS**

TW D148310 S1 7/2012  
TW D158702 S 2/2014

*Primary Examiner* — George D Kirschbaum  
*Assistant Examiner* — Clese Moore, Jr.  
(74) *Attorney, Agent, or Firm* — Novak Druce Connolly Bove + Quigg LLP

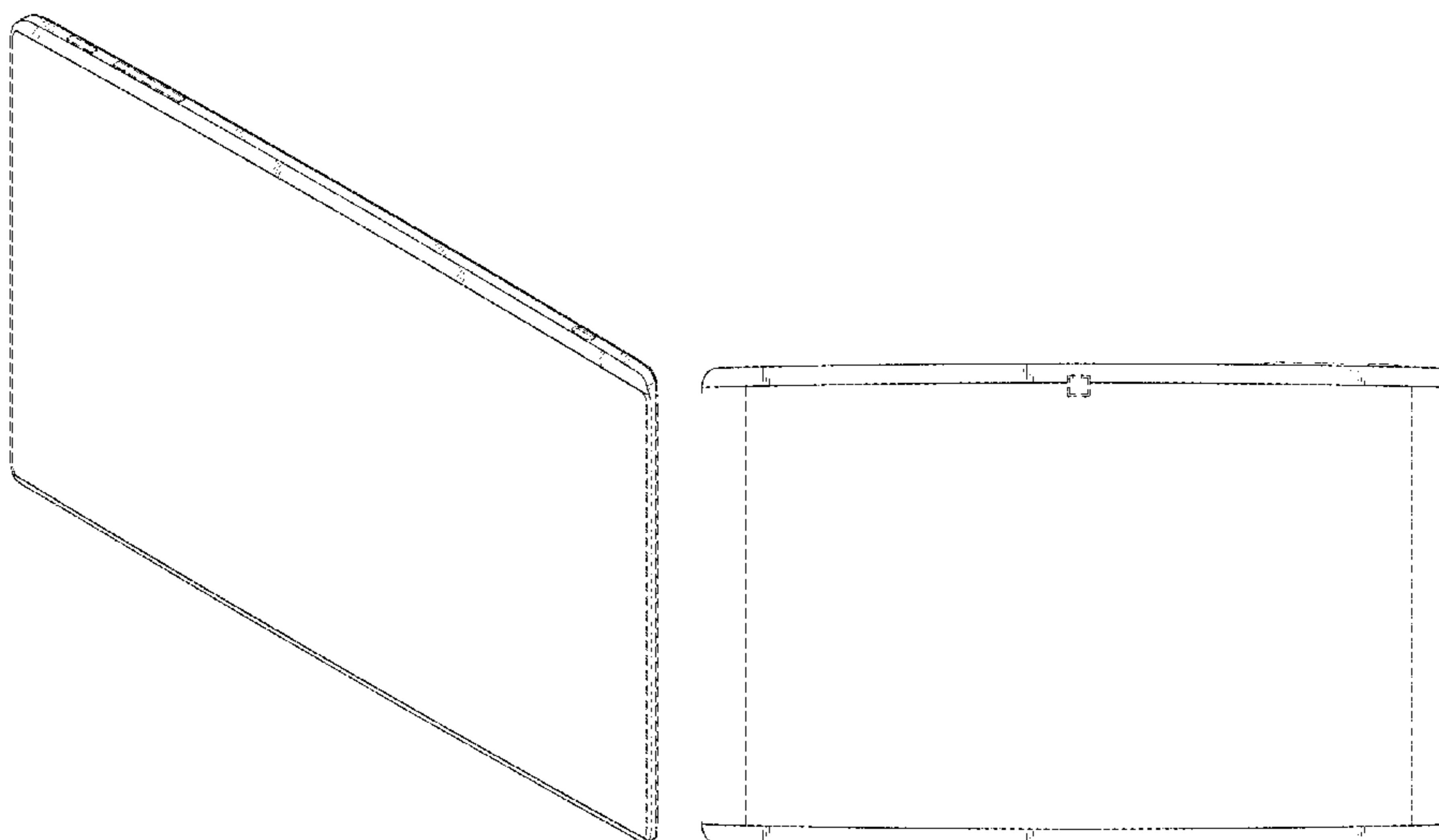
(56) **References Cited**  
**U.S. PATENT DOCUMENTS**  
D524,308 S \* 7/2006 Lai ..... D14/341  
D612,845 S \* 3/2010 Morabito ..... D14/341  
D656,497 S \* 3/2012 Chiu ..... D14/341

(57) **CLAIM**  
The ornamental design for a tablet personal computer, as shown and described.

**DESCRIPTION**

FIG. 1 is a perspective view of a tablet personal computer; FIG. 2 is a front elevational view thereof; FIG. 3 is a rear elevational view thereof; FIG. 4 is a left side elevational view thereof; FIG. 5 is a right side elevational view thereof; FIG. 6 is a top plan view thereof; and, FIG. 7 is a bottom plan view thereof. The broken lines shown illustrate portions of the tablet personal computer that forms no part of the claimed design.

**1 Claim, 7 Drawing Sheets**



(56)

**References Cited**

U.S. PATENT DOCUMENTS

D698,353 S \* 1/2014 Choi ..... D14/138 G  
D698,782 S \* 2/2014 Hong ..... D14/138 G  
D698,783 S \* 2/2014 Hong ..... D14/138 G  
D700,179 S \* 2/2014 Hong ..... D14/341

D700,180 S \* 2/2014 Hong ..... D14/341  
D700,605 S \* 3/2014 Hong ..... D14/341  
D702,233 S \* 4/2014 Lee ..... D14/341  
D709,497 S \* 7/2014 Akutsu ..... D14/371  
D712,403 S \* 9/2014 Park ..... D14/341

\* cited by examiner

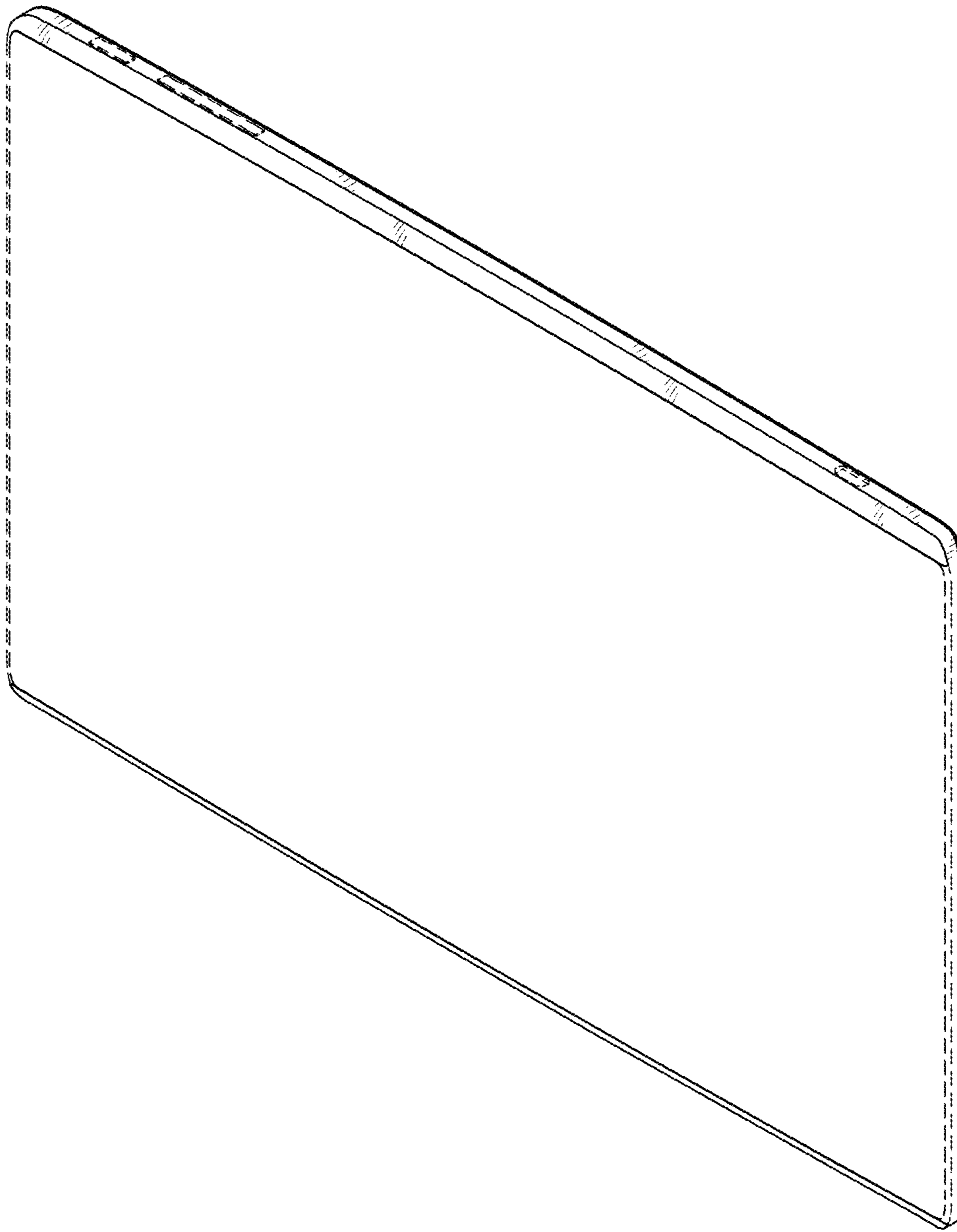


FIG. 1

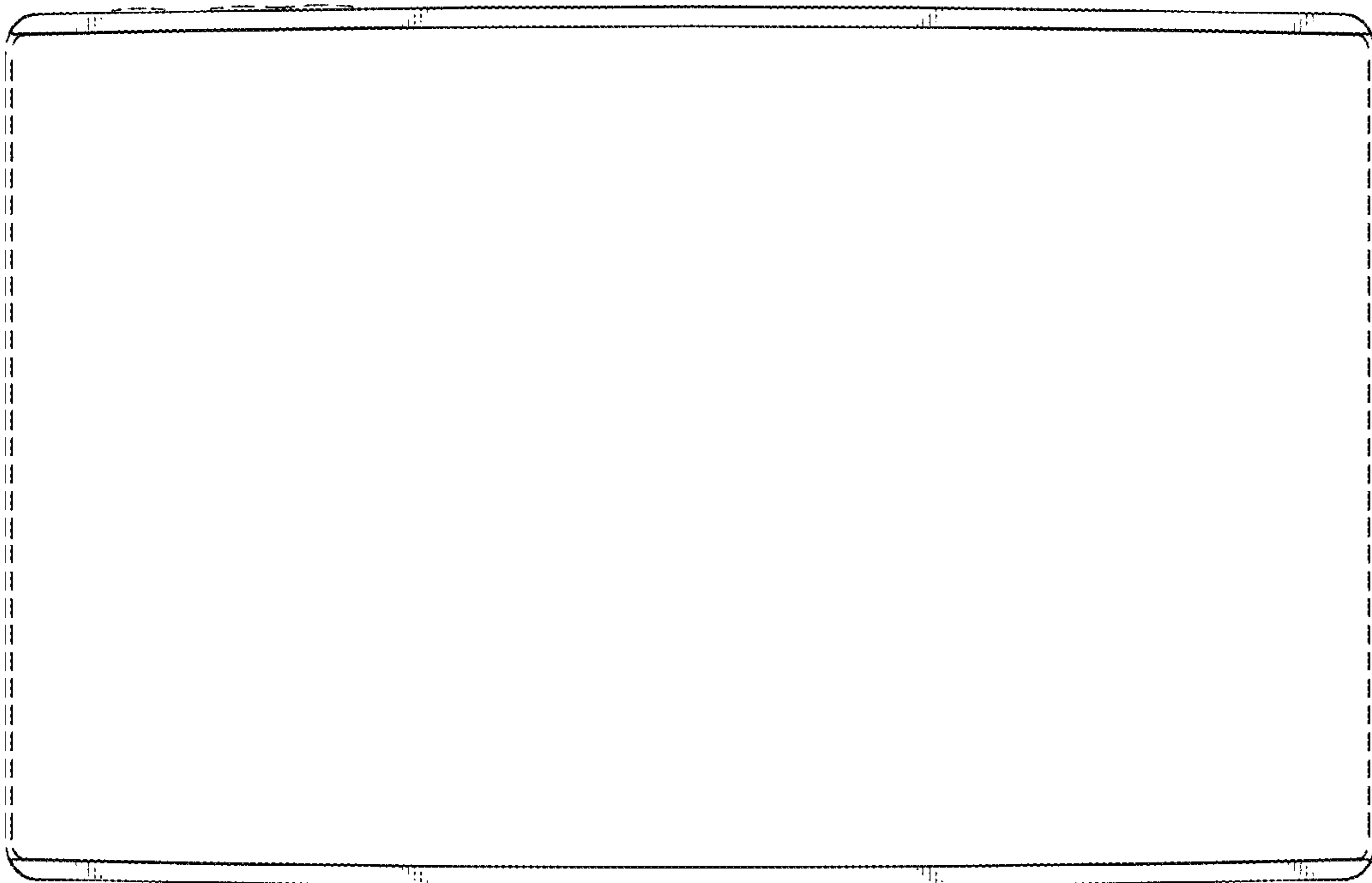


FIG. 2

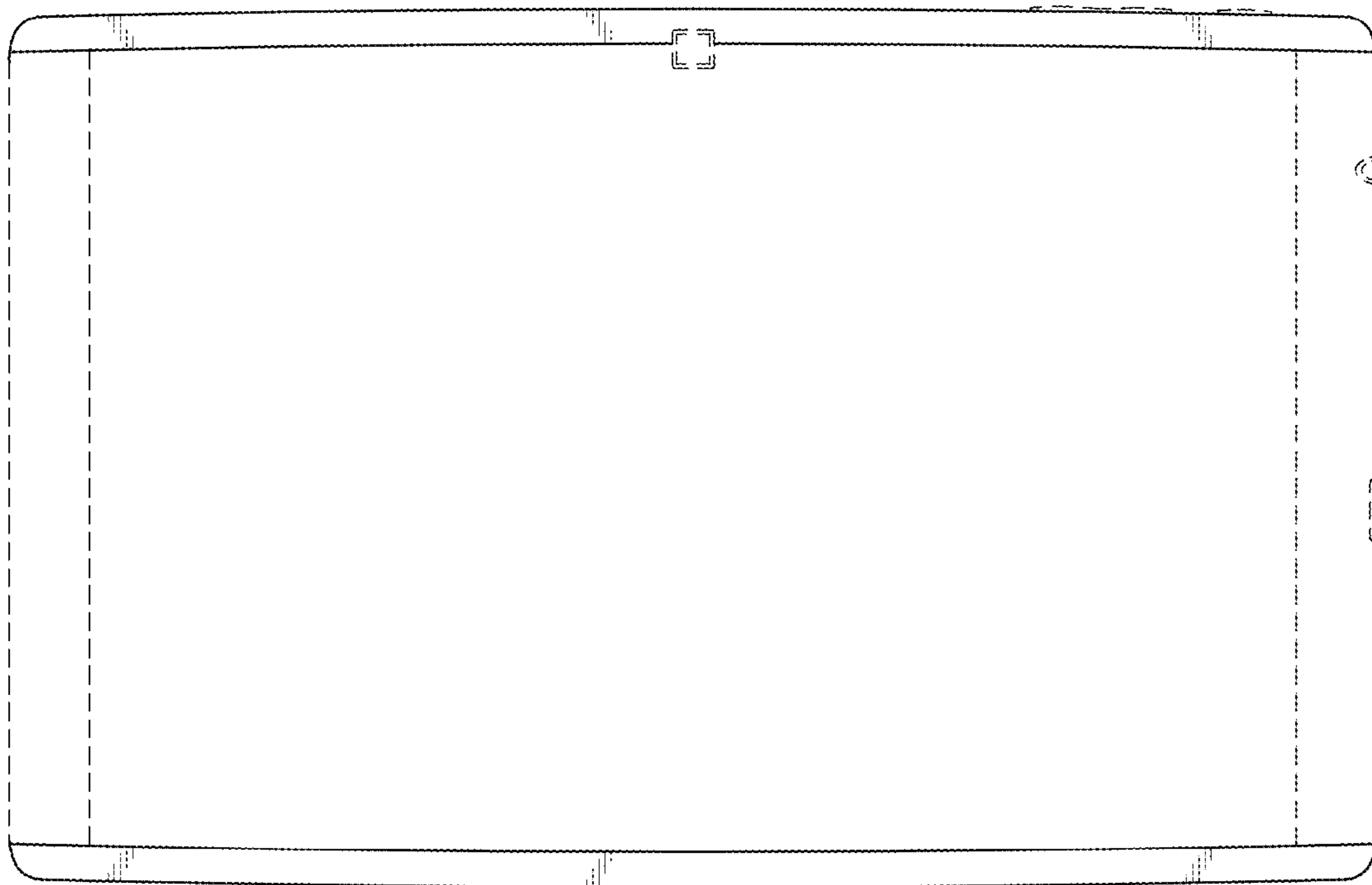


FIG. 3

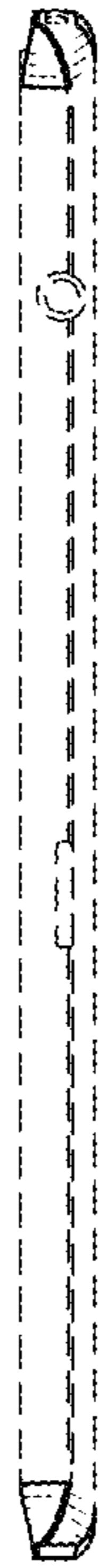


FIG. 4



FIG. 5

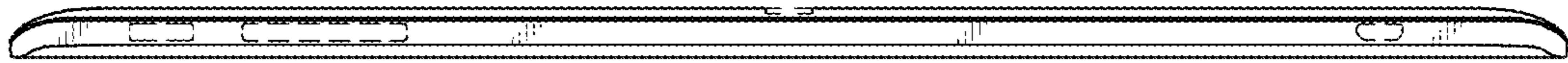


FIG. 6



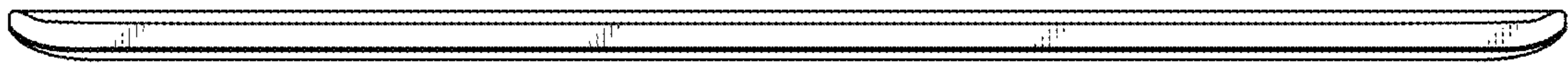


FIG. 7