



US00D757712S

(12) **United States Design Patent**
Chae et al.

(10) **Patent No.:** **US D757,712 S**
(45) **Date of Patent:** **** May 31, 2016**

(54) **PORTABLE TERMINAL**

(71) Applicant: **SAMSUNG ELECTRONICS CO., LTD.**, Suwon-si (KR)

(72) Inventors: **Jung-Sook Chae**, Seoul (KR);
Chung-Ha Kim, Seoul (KR);
Sang-Won Yoom, Seoul (KR)

(73) Assignee: **SAMSUNG ELECTRONICS CO., LTD.** (KR)

(**) Term: **14 Years**

(21) Appl. No.: **29/469,986**

(22) Filed: **Oct. 16, 2013**

(30) **Foreign Application Priority Data**

Apr. 16, 2013 (KR) 30-2013-0019806

(51) **LOC (10) Cl.** **14-02**

(52) **U.S. Cl.**
USPC **D14/341**

(58) **Field of Classification Search**
USPC D14/341-347, 137, 138 R, 138 AA,
D14/138 C, 138 G, 496, 203.1, 203.3, 203.4,
D14/203.7, 129, 130, 147, 218, 247, 248,
D14/250, 374, 371, 385, 388, 389, 315-318,
D14/420, 426, 439; D6/308, 310; D10/65,
D10/104.1; D19/26, 59, 60; D21/324, 329,
D21/330, 332; 248/917-924; 463/37;
455/556.1, 556.2, 566, 575.1, 90.3;
379/433.04, 433.01, 433.06, 916;
345/173, 901, 905; 348/376;
361/679.26, 679.27, 679.3, 679.55,
361/679.56, 679.59, 679.21
CPC ... G06F 1/1613; G06F 1/1624; G06F 1/1626;
G06F 1/165; G06F 3/0485; G06F 3/0488;
H04M 1/0202; H04M 1/0279; H04M 1/0281;
H04M 1/0283; H04M 1/0214; H04M 1/72544;
H04M 1/72552

See application file for complete search history.

(56) **References Cited**

U.S. PATENT DOCUMENTS

D625,307	S	*	10/2010	Cheng	D14/341
D629,798	S	*	12/2010	Arie et al.	D14/341
D639,805	S	*	6/2011	Song et al.	D14/341
D663,298	S	*	7/2012	Song et al.	D14/341
D664,540	S	*	7/2012	Kim et al.	D14/341
D664,954	S	*	8/2012	Kim et al.	D14/341
D670,286	S	*	11/2012	Akana et al.	D14/341
D672,768	S	*	12/2012	Huang et al.	D14/341
D673,561	S	*	1/2013	Hyun et al.	D14/341
D675,203	S	*	1/2013	Yang	D14/341
D678,875	S	*	3/2013	Chen	D14/341
D681,632	S	*	5/2013	Akana et al.	D14/341
D687,820	S	*	8/2013	Kim	D14/341
D689,481	S	*	9/2013	Song et al.	D14/341
D689,856	S	*	9/2013	Shen	D14/341
D690,300	S	*	9/2013	Akana et al.	D14/341
D692,880	S	*	11/2013	Song et al.	D14/341

(Continued)

Primary Examiner — Eric Goodman

Assistant Examiner — Clese Moore, Jr.

(74) *Attorney, Agent, or Firm* — Cantor Colburn LLP

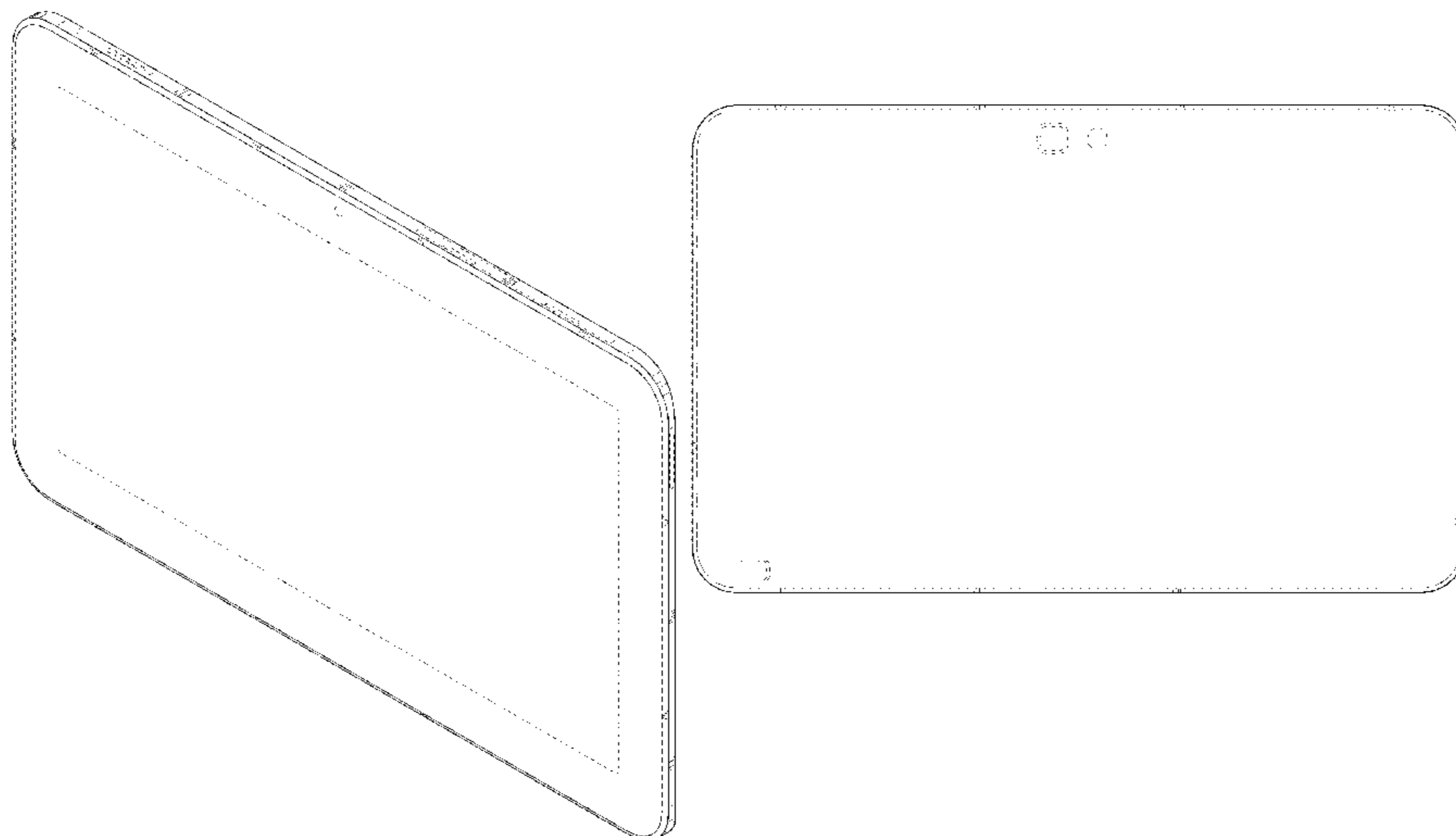
(57) **CLAIM**

The ornamental design for a portable terminal, as shown and described.

DESCRIPTION

FIG. 1 is a top front perspective view of a portable terminal showing our new design;
FIG. 2 is a front view thereof;
FIG. 3 is a rear view thereof;
FIG. 4 is a side view thereof;
FIG. 5 is another side view thereof;
FIG. 6 is a top view thereof; and,
FIG. 7 is a bottom view thereof.
The broken lines shown in the drawings illustrate portions of the portable terminal that form no part of the claimed design.

1 Claim, 3 Drawing Sheets



(56)

References Cited

U.S. PATENT DOCUMENTS

D693,340 S *	11/2013	Ohshima	D14/341	D710,844 S *	8/2014	Lee et al.	D14/341
D696,246 S *	12/2013	Kim	D14/341	D712,400 S *	9/2014	Kim et al.	D14/341
D696,247 S *	12/2013	Kim	D14/341	D712,899 S *	9/2014	Park et al.	D14/341
D696,248 S *	12/2013	Lim et al.	D14/341	D714,782 S *	10/2014	Ohshima	D14/341
D696,662 S *	12/2013	Song et al.	D14/341	D714,783 S *	10/2014	Takizawa et al.	D14/341
D702,229 S *	4/2014	Lim et al.	D14/341	D716,293 S *	10/2014	Hwang et al.	D14/341
D703,668 S *	4/2014	Kim et al.	D14/346	D716,799 S *	11/2014	Green et al.	D14/341
D706,774 S *	6/2014	Park et al.	D14/341	D720,745 S *	1/2015	Yeo et al.	D14/341
D707,675 S *	6/2014	Akana et al.	D14/341	D720,746 S *	1/2015	Chung	D14/341
D710,352 S *	8/2014	Lee et al.	D14/341	D725,651 S *	3/2015	Green et al.	D14/341
				D726,716 S *	4/2015	Green et al.	D14/341
				D727,315 S *	4/2015	Jensen et al.	D14/341
				D728,560 S *	5/2015	Seoc	D14/341

* cited by examiner

FIG.1

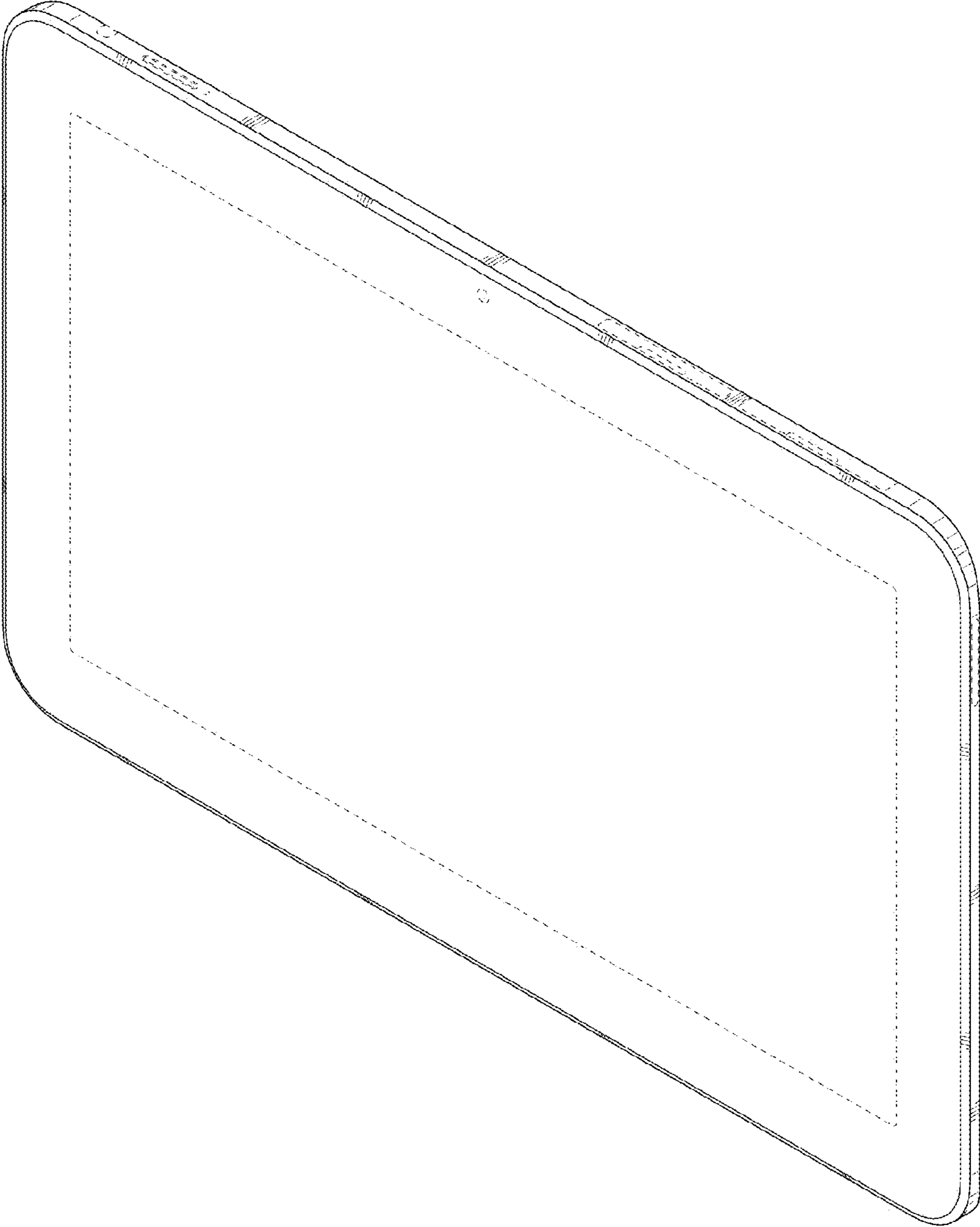


FIG.2

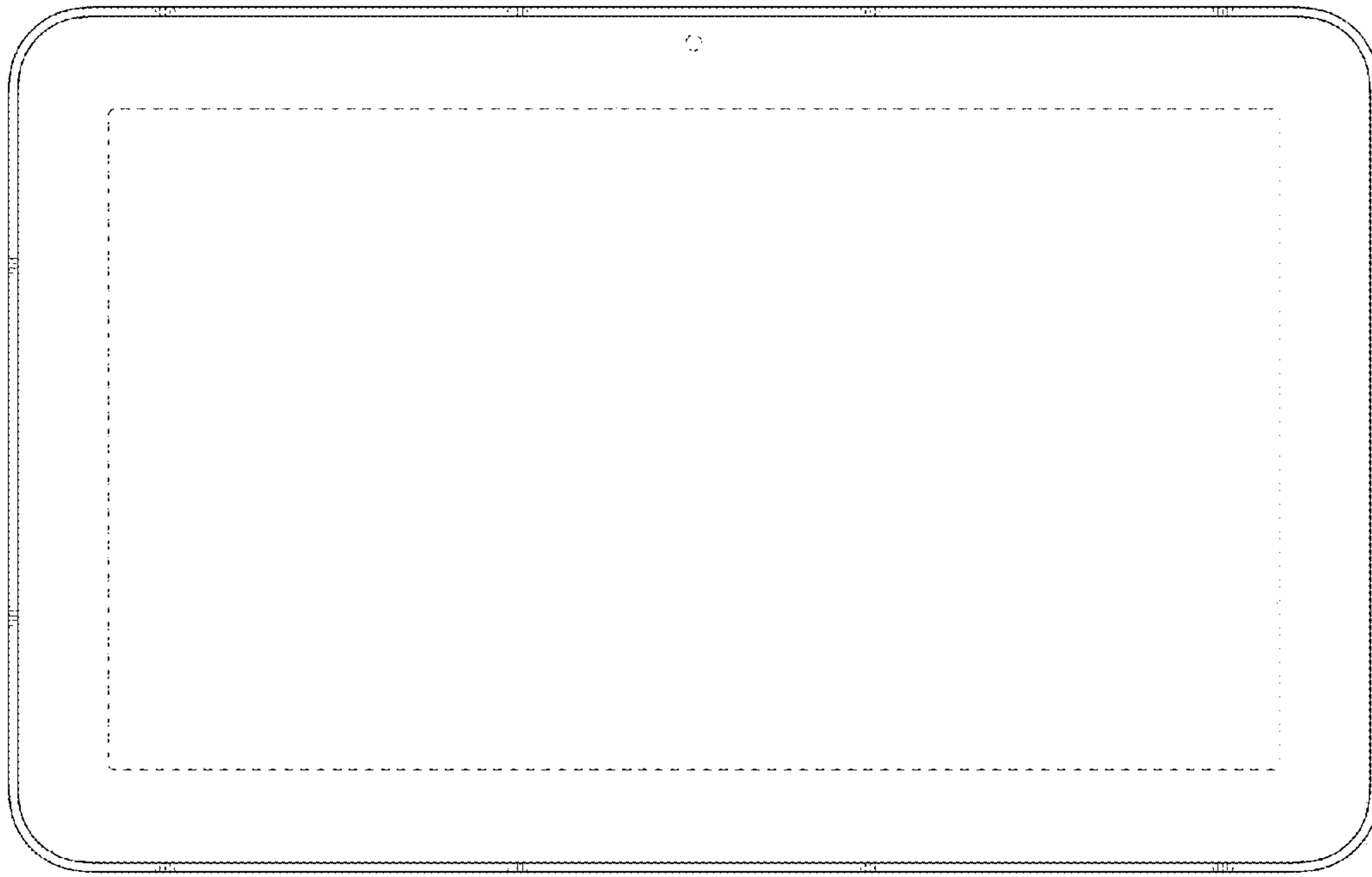


FIG.3

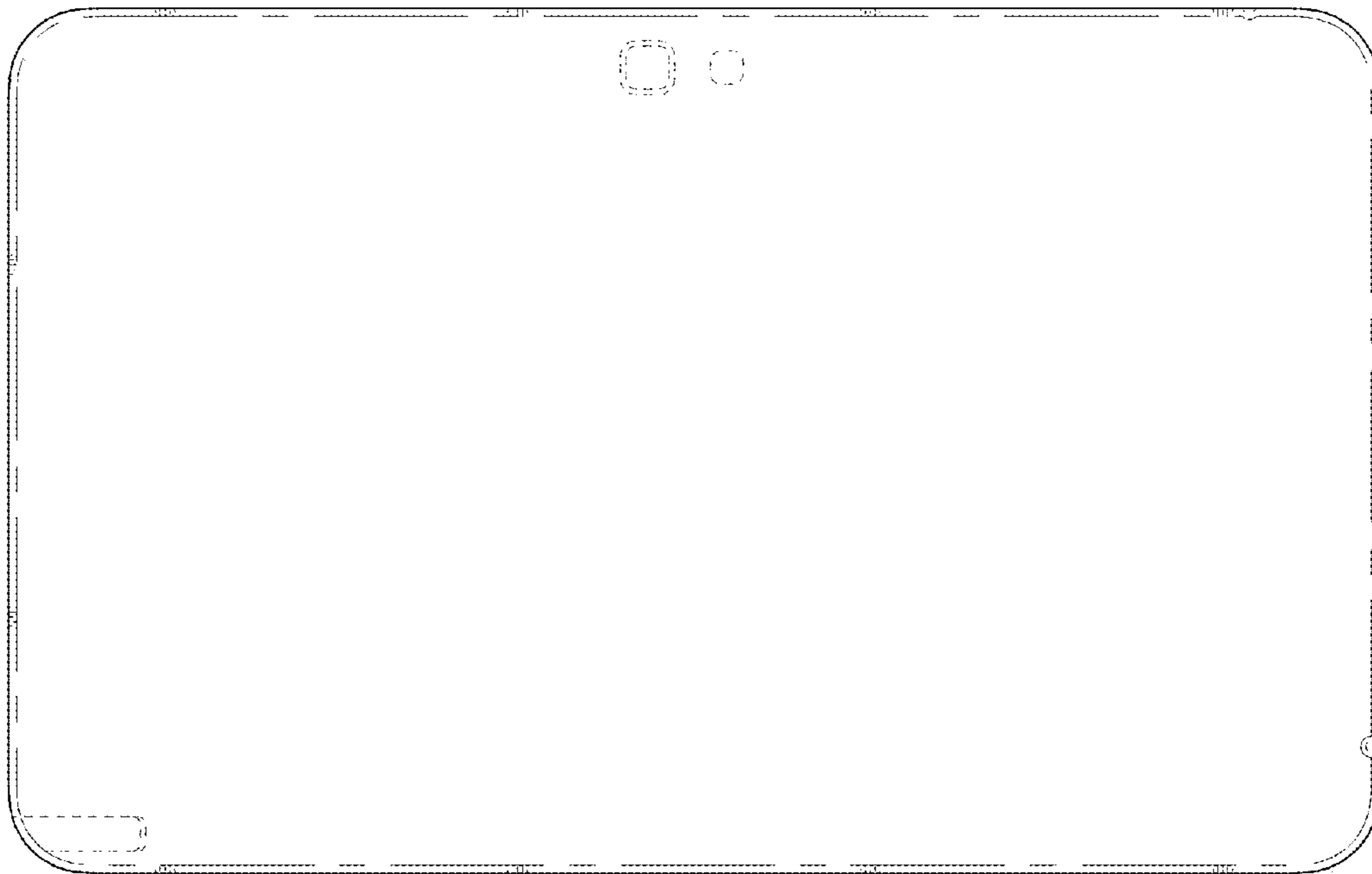


FIG.4

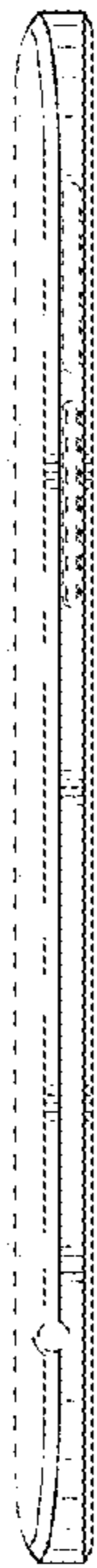


FIG.5

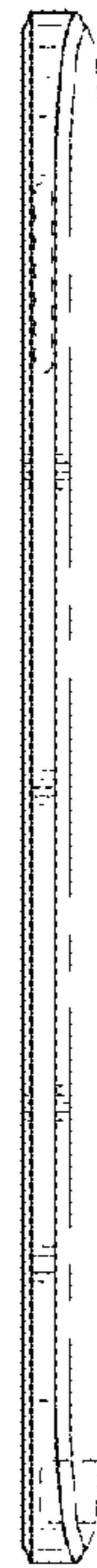


FIG.6

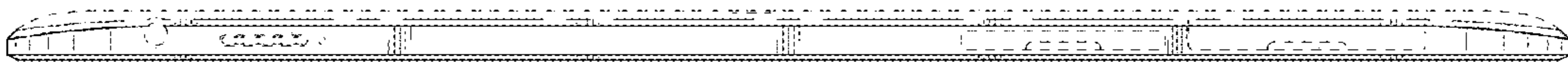


FIG.7

