



US00D757711S

(12) **United States Design Patent**
Henderson et al.

(10) **Patent No.:** **US D757,711 S**
(45) **Date of Patent:** **** May 31, 2016**

(54) **LAPTOP-TYPE COMPUTER**

(56) **References Cited**

(71) Applicant: **EDAN INSTRUMENTS, INC.**,
Shenzhen (CN)
(72) Inventors: **Richard Henderson**, Fremont, CA (US);
Sean Murphy, Fremont, CA (US)
(73) Assignee: **EDAN INSTRUMENTS, INC.**,
Shenzhen (CN)

U.S. PATENT DOCUMENTS

D366,280 S * 1/1996 Henderson D14/315
6,067,224 A * 5/2000 Nobuchi G06F 1/1688
361/679.21
D606,990 S * 12/2009 Chen D14/315
D627,342 S * 11/2010 Lin D14/315
D631,043 S * 1/2011 Kell D14/341
D676,436 S * 2/2013 Du D14/301
D682,347 S * 5/2013 Haggins D14/318
2003/0090473 A1 * 5/2003 Joshi G06F 3/0237
345/173

(**) Term: **14 Years**

* cited by examiner

(21) Appl. No.: **29/499,431**

Primary Examiner — Freda S Nunn

(22) Filed: **Aug. 14, 2014**

(74) *Attorney, Agent, or Firm* — Gilberto M. Villacorta;
Brett P. Belden; Foley & Lardner LLP

(51) **LOC (10) Cl.** **14-02**

(57) **CLAIM**

(52) **U.S. Cl.**

We claim the ornamental design for a laptop-type computer,
as shown and described.

USPC **D14/324**

DESCRIPTION

(58) **Field of Classification Search**

USPC D14/315–327; D18/1, 2, 7, 11;
235/145 A, 145 R; 341/22, 23; 345/104,
345/156, 168, 169, 173; 361/679.08,
361/679.09, 679.11, 679.26, 679.27;
D13/107, 108

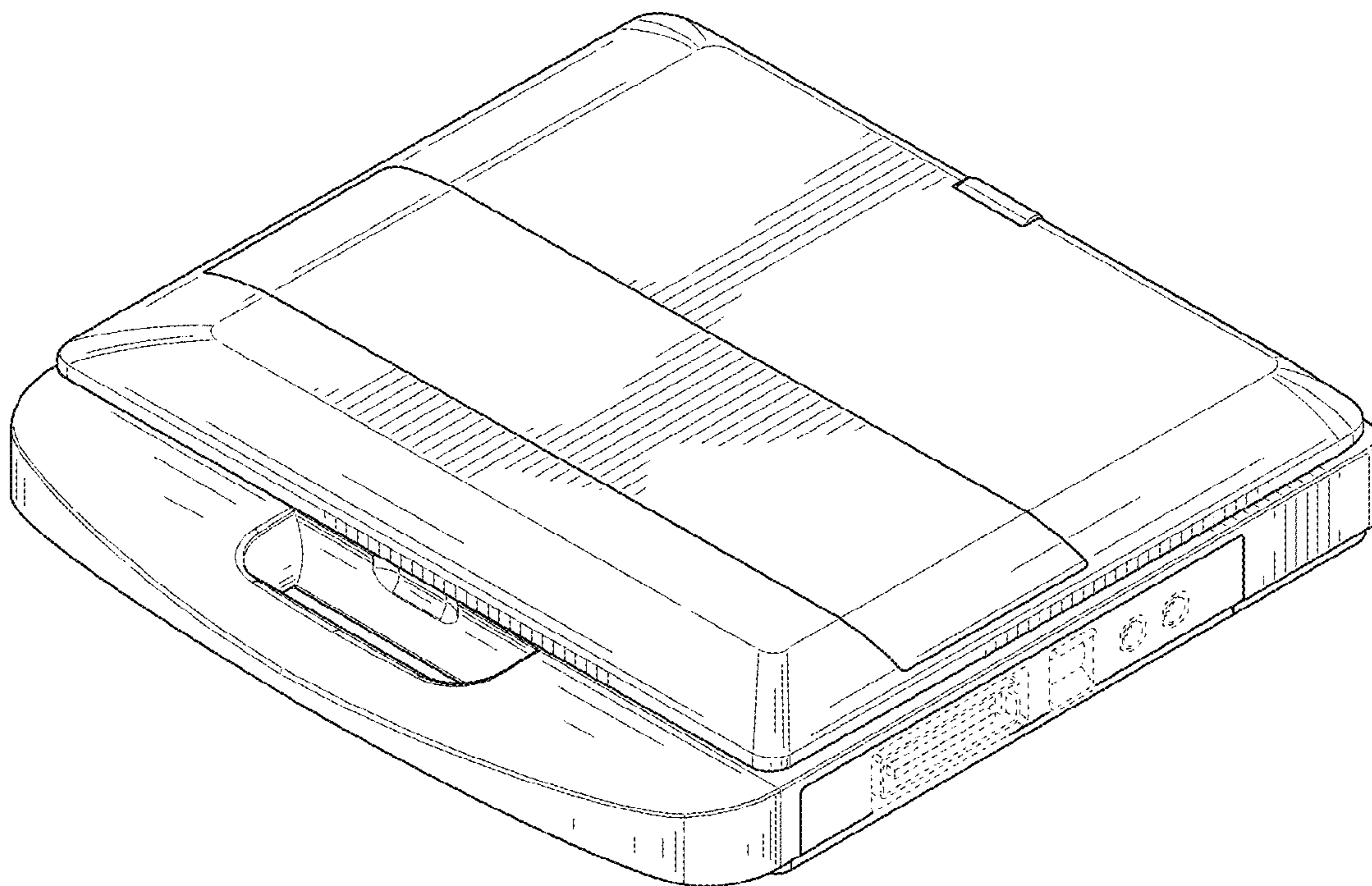
FIG. 1 is a top, front, right perspective view of the claimed
design;
FIG. 2 is a front elevation view thereof;
FIG. 3 is a rear elevation view thereof;
FIG. 4 is a left elevation view thereof;
FIG. 5 is a right elevation view thereof;
FIG. 6 is a top plan view thereof; and,
FIG. 7 is a bottom plan view thereof.

CPC G06F 1/16; G06F 1/1616; G06F 1/1626;
G06F 1/1632; G06F 1/1613; G06F 1/1601;
H01R 35/02; H03M 11/00; G09B 13/04;
H03K 17/94; G09G 5/00; B41J 5/08

The broken lines shown in the drawings represent unclaimed
portions of the laptop-type computer and form no part of the
claimed design.

See application file for complete search history.

1 Claim, 7 Drawing Sheets



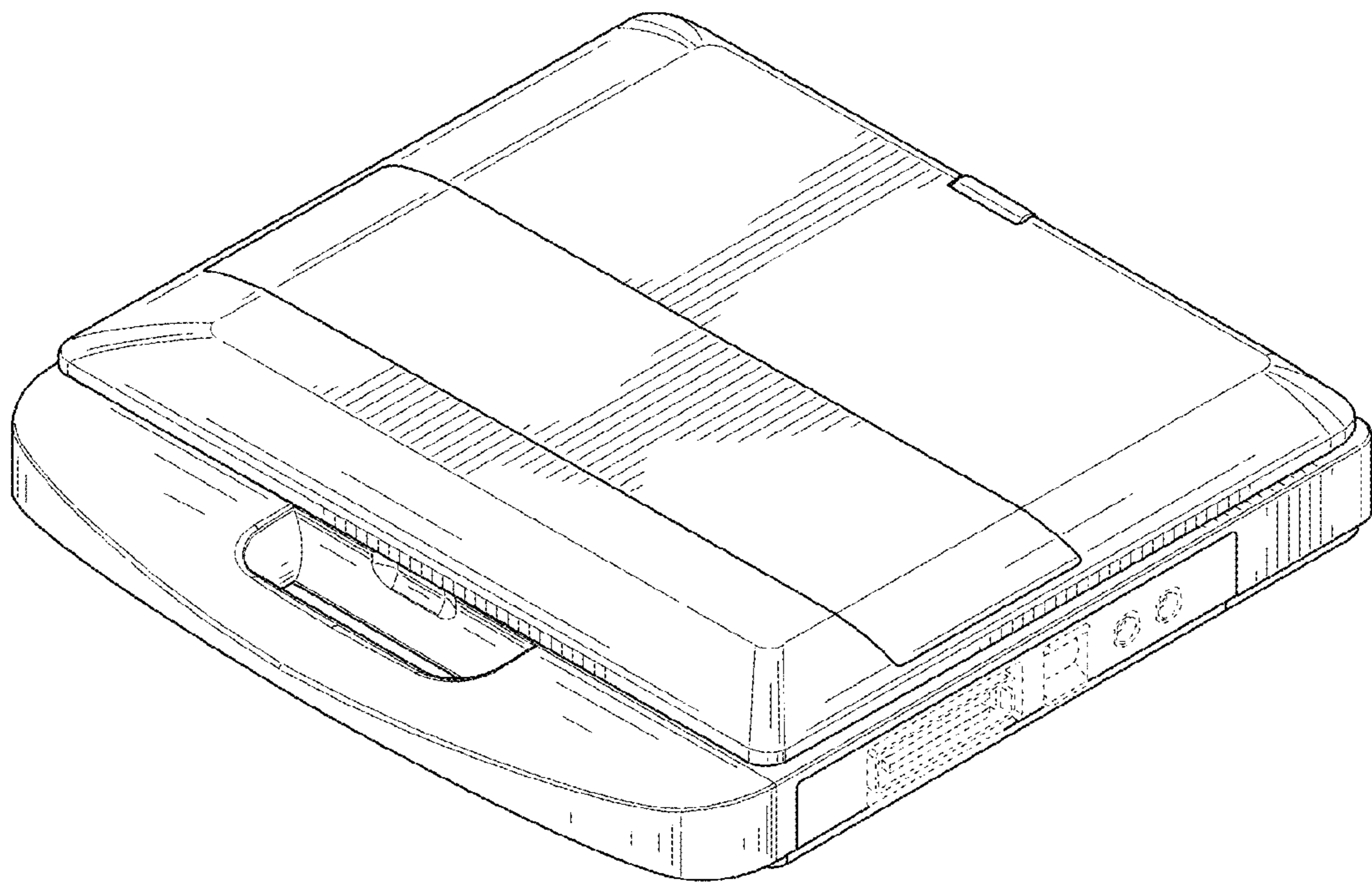


FIG. 1

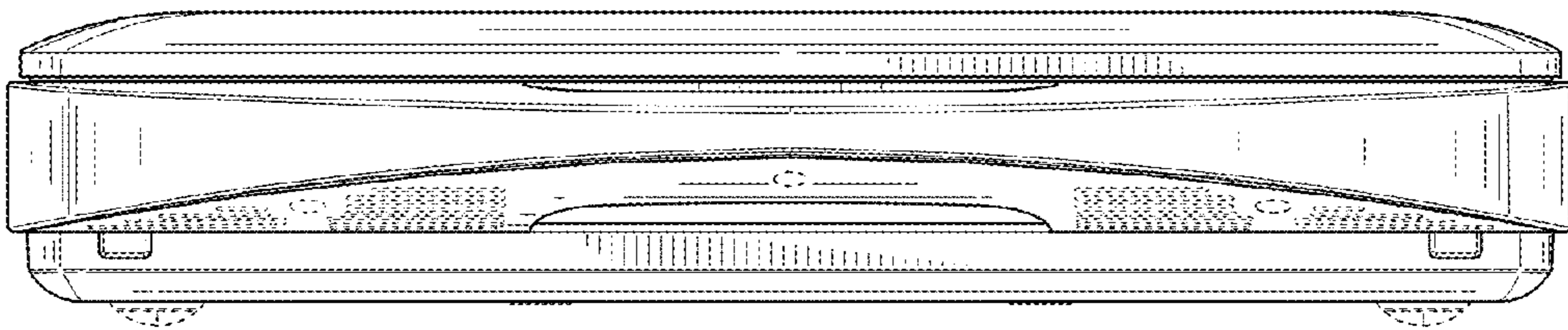


FIG. 2

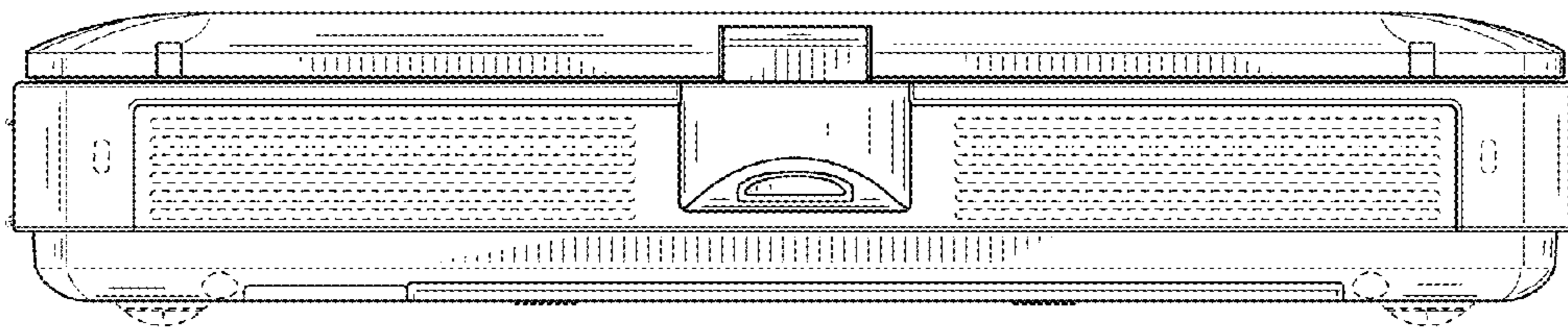


FIG. 3

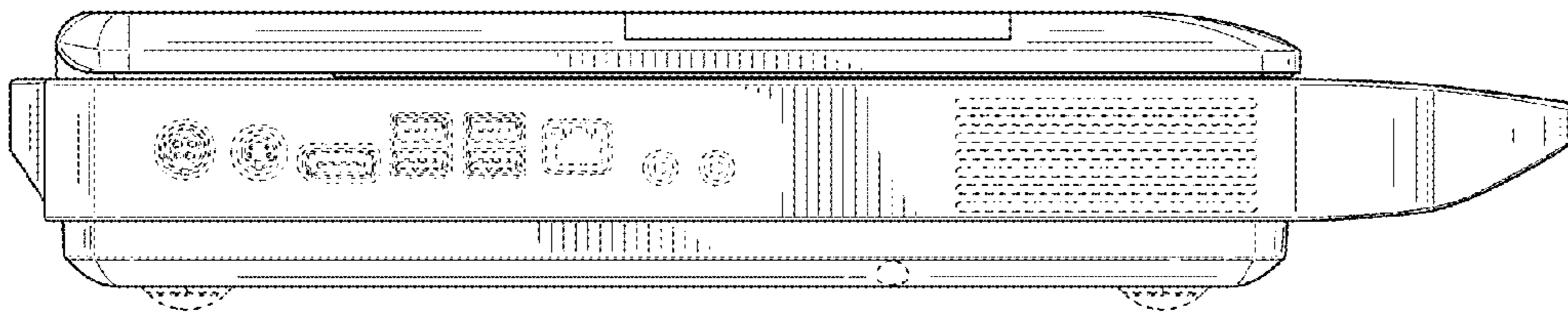


FIG. 4

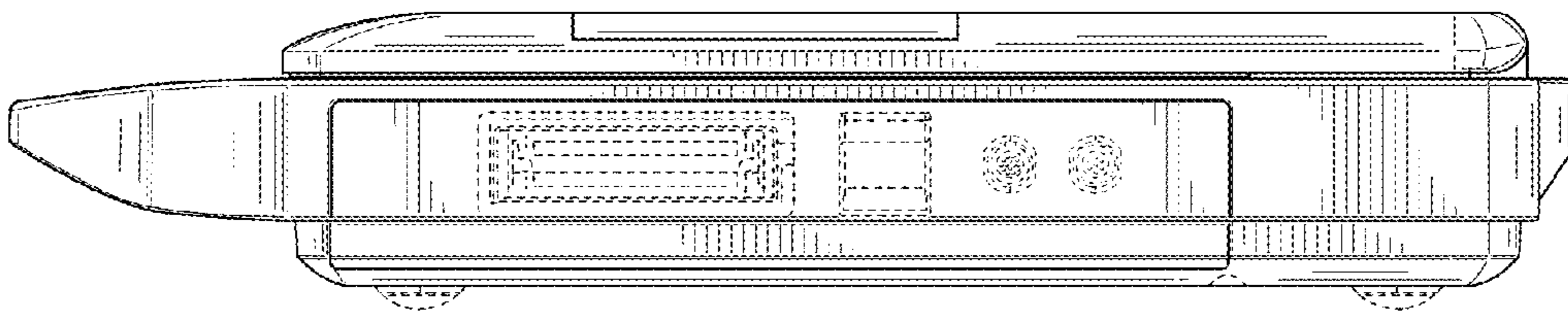


FIG. 5

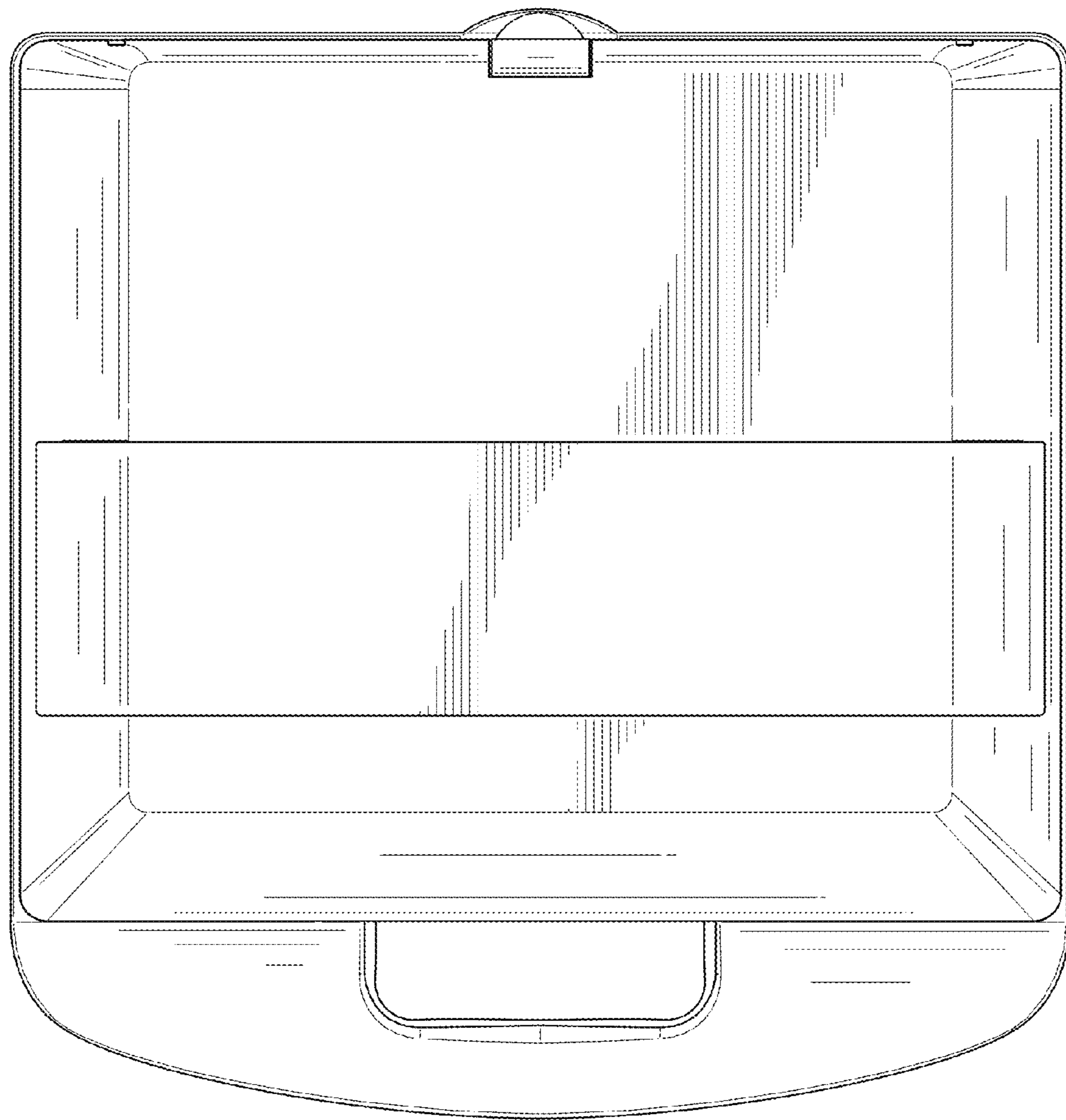


FIG. 6

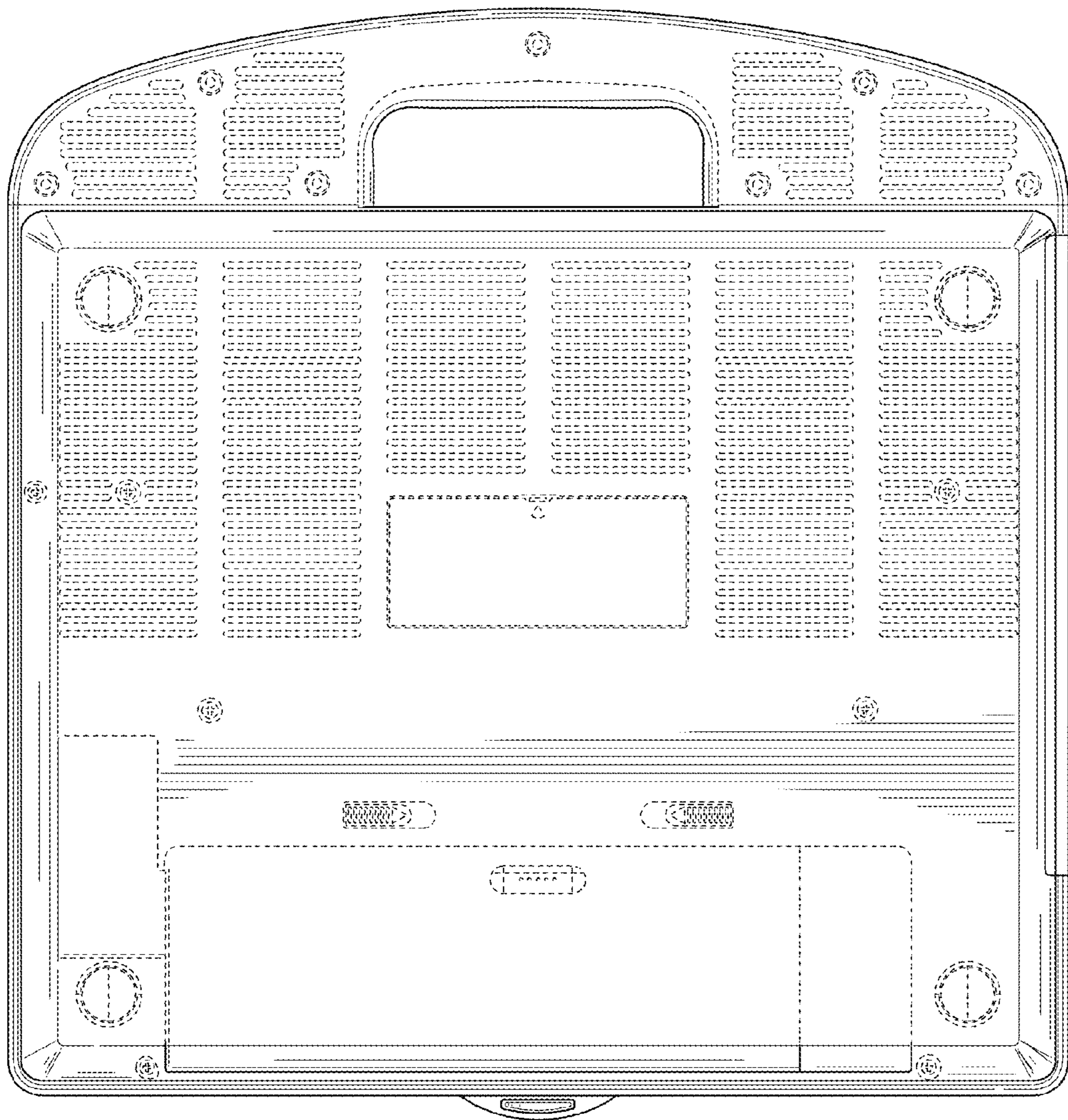


FIG. 7