



US00D757710S

(12) **United States Design Patent**
Donachy et al.

(10) **Patent No.:** **US D757,710 S**
(45) **Date of Patent:** **** May 31, 2016**

(54) **ELECTRONIC ENCLOSURE**

(74) *Attorney, Agent, or Firm* — Haynes and Boone, LLP

(71) Applicant: **DELL PRODUCTS L.P.**, Round Rock, TX (US)

(57) **CLAIM**
The ornamental design for a electronic enclosure, as shown and described.

(72) Inventors: **John Charles Donachy**, Austin, TX (US); **Orin M. Ozias**, Austin, TX (US); **Mark Gilson**, Austin, TX (US)

DESCRIPTION

(73) Assignee: **DELL PRODUCTS L.P.**, Round Rock, TX (US)

FIG. 1 is a perspective view of a electronic enclosure showing our new design according to a first embodiment;
FIG. 2 is a front elevational view of the first embodiment;
FIG. 3 is a right side elevational view of the first embodiment;
FIG. 4 is a left side elevational view of the first embodiment;
FIG. 5 is a rear elevational view of the first embodiment;
FIG. 6 is a top plan view of the first embodiment;
FIG. 7 is a bottom plan view of the first embodiment;
FIG. 8 is another perspective view of the first embodiment but depicts in broke lines additional unclaimed environmental structure that is not depicted in FIGS. 1-7;
FIG. 9 is a right side elevational view of a electronic enclosure showing our new design according to a second embodiment, the second embodiment being identical to the first embodiment except that the second embodiment includes an indeterminate length as indicated in FIG. 9;
FIG. 10 is a perspective view of a electronic enclosure showing our new design according to a third embodiment;
FIG. 11 is a front elevational view of the third embodiment;
FIG. 12 is a right side elevational view of the third embodiment;
FIG. 13 is a left side elevational view of the third embodiment;
FIG. 14 is a rear elevational view of the third embodiment;
FIG. 15 is a top plan view of the third embodiment;
FIG. 16 is a bottom plan view of the third embodiment;
FIG. 17 is another perspective view of the third embodiment but depicts in broke lines additional unclaimed environmental structure that is not depicted in FIGS. 10-16; and,
FIG. 18 is a right side elevational view of a portion of electronic enclosure showing our new design according to a fourth embodiment, the fourth embodiment being identical to the third embodiment except that the fourth embodiment includes an indeterminate length as indicated in FIG. 18.
Broken lines shown in the drawings illustrate portions of the electronic enclosure, and form no part of the claimed design.

(**) Term: **14 Years**

(21) Appl. No.: **29/514,633**

(22) Filed: **Jan. 14, 2015**

(51) **LOC (10) Cl.** **14-02**

(52) **U.S. Cl.**
USPC **D14/314**

(58) **Field of Classification Search**
USPC D14/240, 300, 301, 302, 308, 310, 313, D14/314, 348-356, 364-368, 441-446, D14/188; D13/123, 158, 162, 184, 199; 312/223.1-223.3, 351.11; 360/99.01-99.12; 369/34.01-36.01; 361/679.31-679.33, 679.37, 679.39, 361/679.46, 679.53, 679.4, 679.41, 727
CPC G06F 1/20; G06F 1/181; G06F 1/187; G06F 1/183; G06F 1/184; H05K 7/16; H05K 7/1424; H05K 7/1409; H05K 7/20; H05K 7/20545; H05K 7/20727; H05H 7/20; G11B 33/126; G11B 33/128; G11B 33/08
See application file for complete search history.

(56) **References Cited**

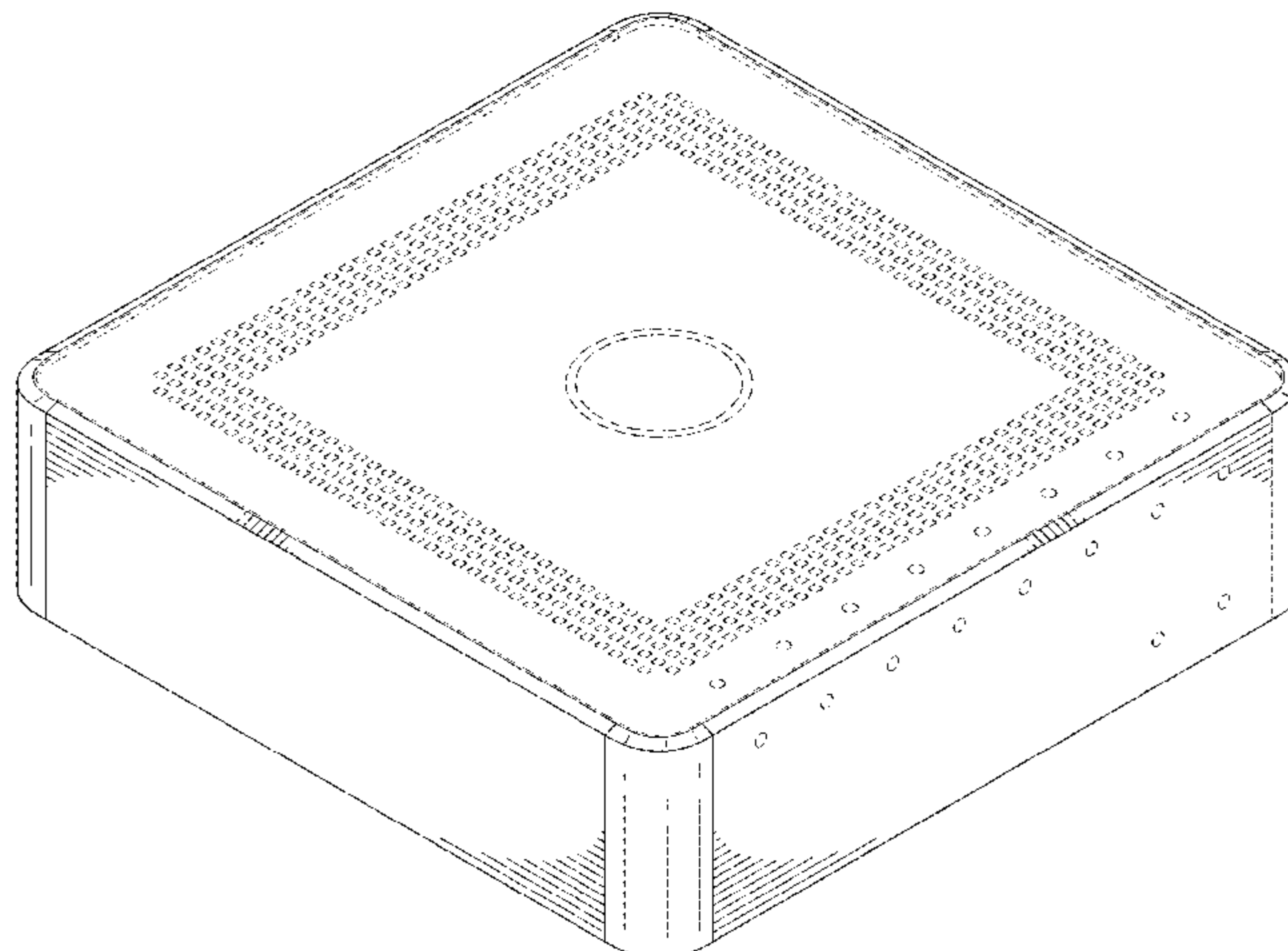
U.S. PATENT DOCUMENTS

D387,982 S * 12/1997 Kaplan D9/418
D537,817 S 3/2007 Andre et al.

(Continued)

Primary Examiner — Freda S Nunn

1 Claim, 16 Drawing Sheets



(56)

References Cited

U.S. PATENT DOCUMENTS

D542,288 S *	5/2007	Andre	D14/314	D657,784 S *	4/2012	Akana	D14/314
D558,790 S *	1/2008	Yu	D14/496	D686,065 S *	7/2013	Kuo	D9/432
D563,994 S *	3/2008	Liu	D14/356	D716,296 S *	10/2014	Drew	D14/349
D618,232 S *	6/2010	O'Neil	D14/314	D719,561 S	12/2014	Akana et al.	
D620,953 S *	8/2010	Andre	D14/203.3	2011/0303358 A1	12/2011	Farahani et al.	
D648,270 S *	11/2011	Jiang	D13/103	2011/0304968 A1	12/2011	Knopf et al.	
D649,541 S *	11/2011	Morenstein	D14/314	2011/0304972 A1	12/2011	Goh et al.	
D650,394 S *	12/2011	Seoc	D14/496	2011/0304973 A1	12/2011	Farahani et al.	
				2011/0304974 A1	12/2011	Knopf et al.	
				2011/0304976 A1	12/2011	Knopf et al.	

* cited by examiner

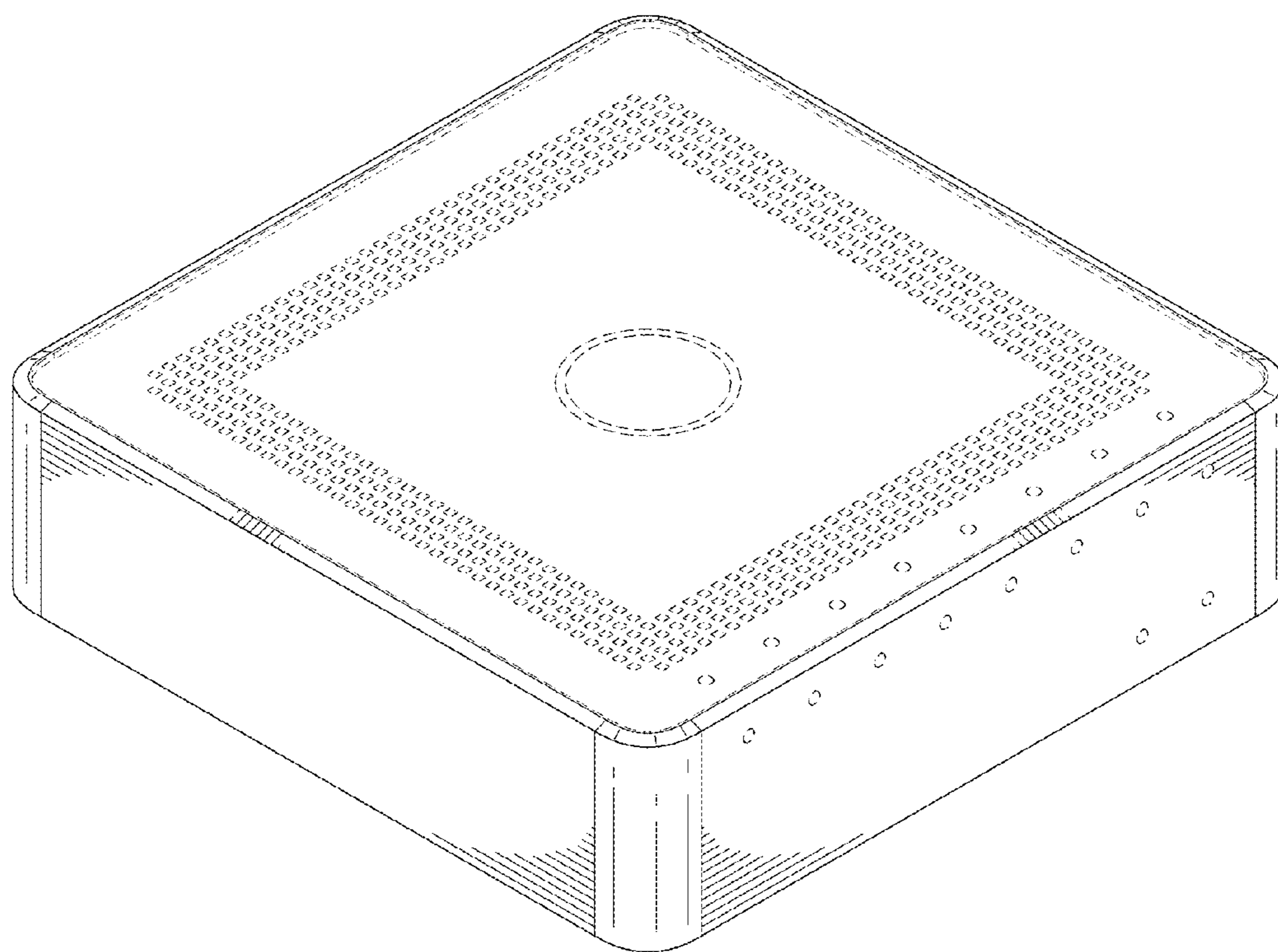


Fig. 1

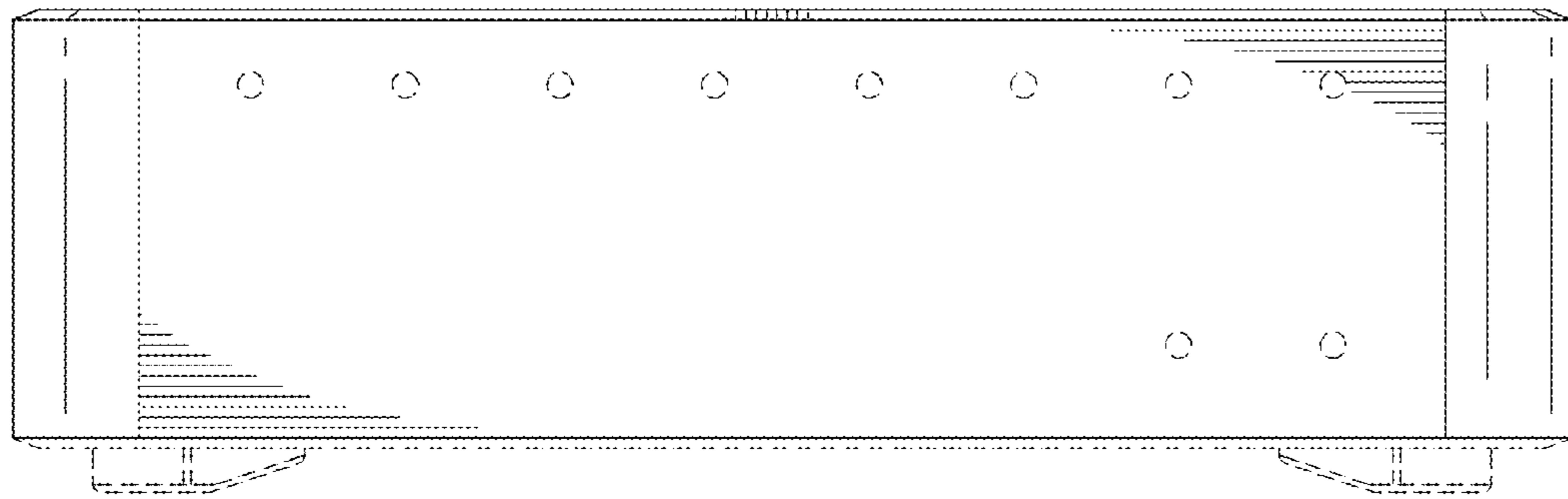


Fig. 2

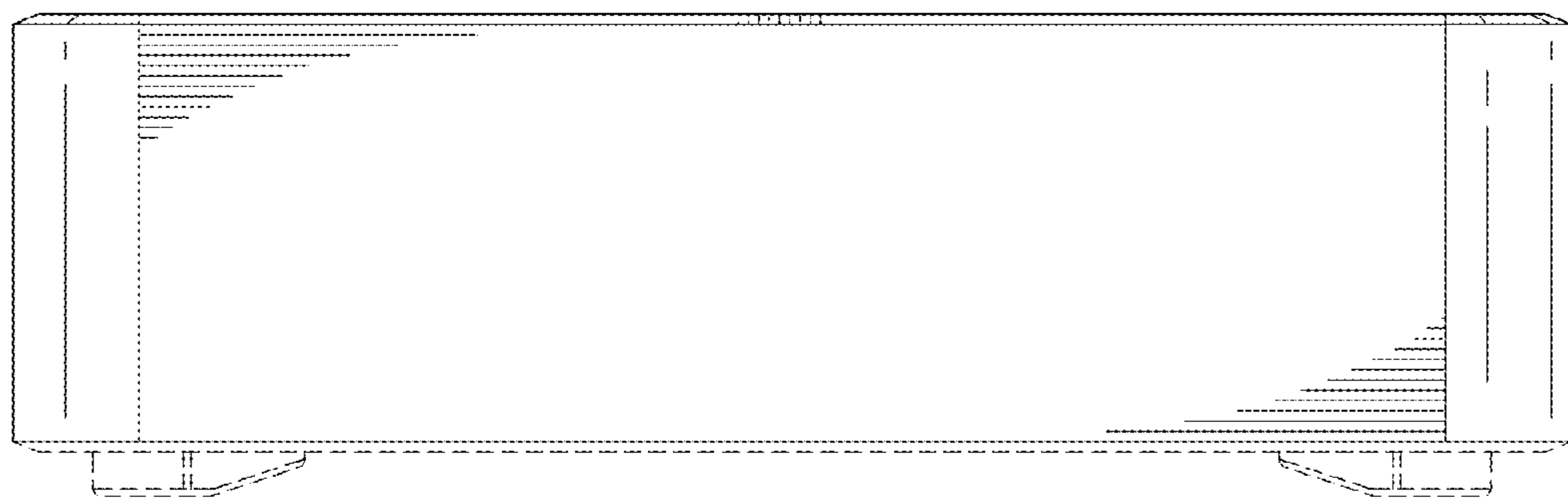


Fig. 3

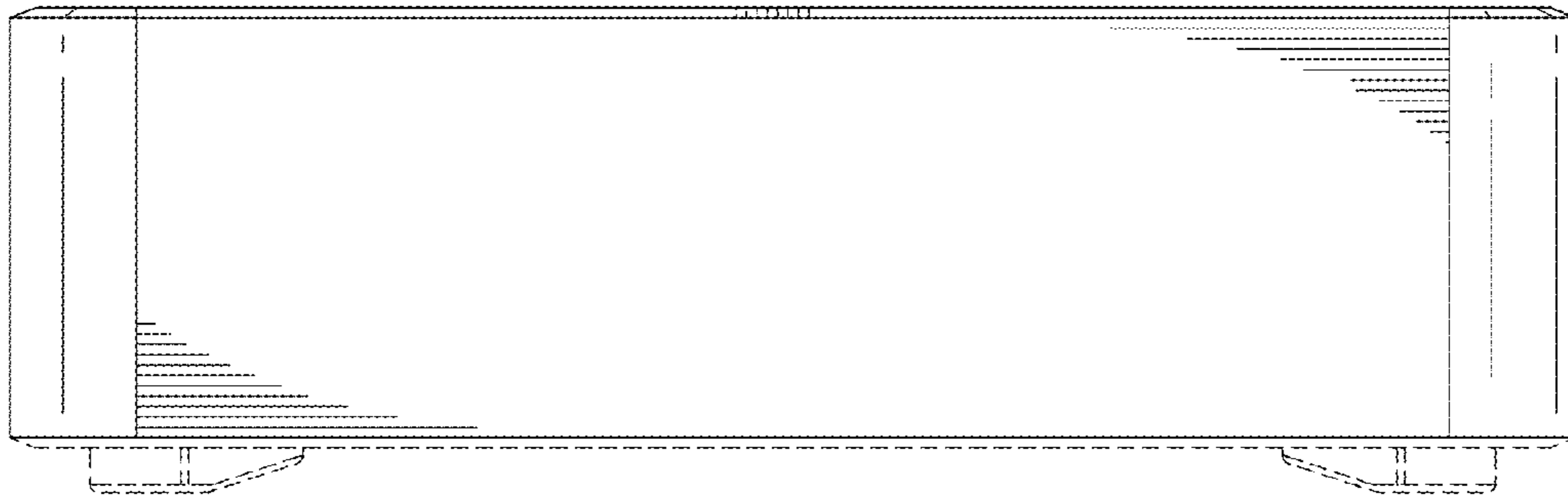


Fig. 4

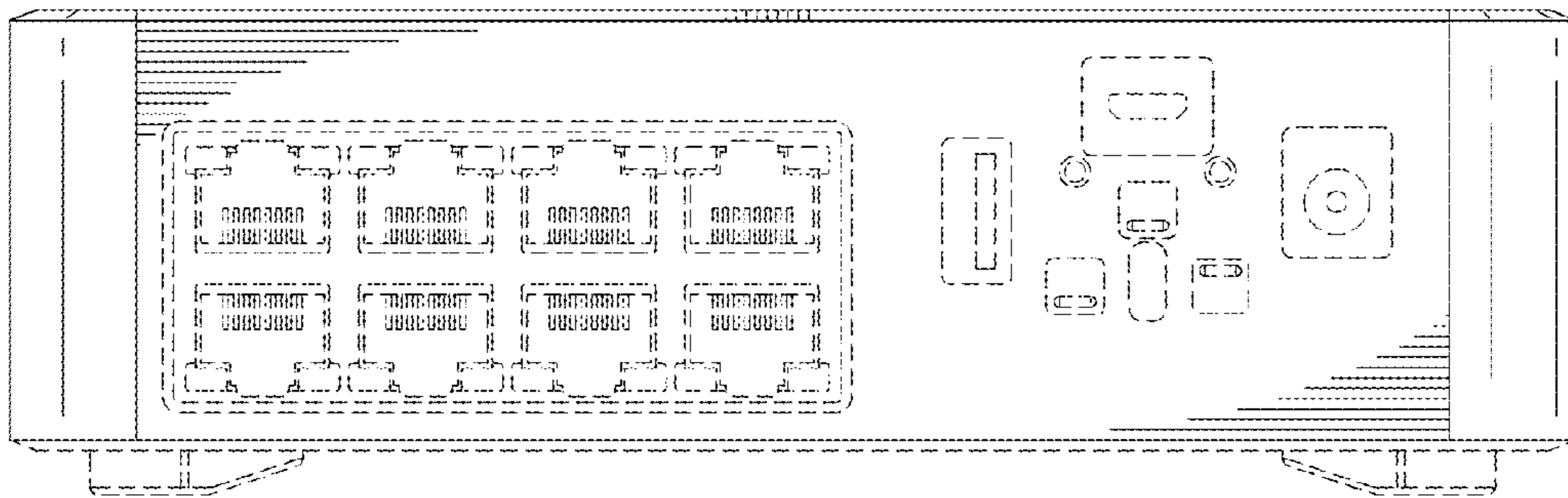


Fig. 5

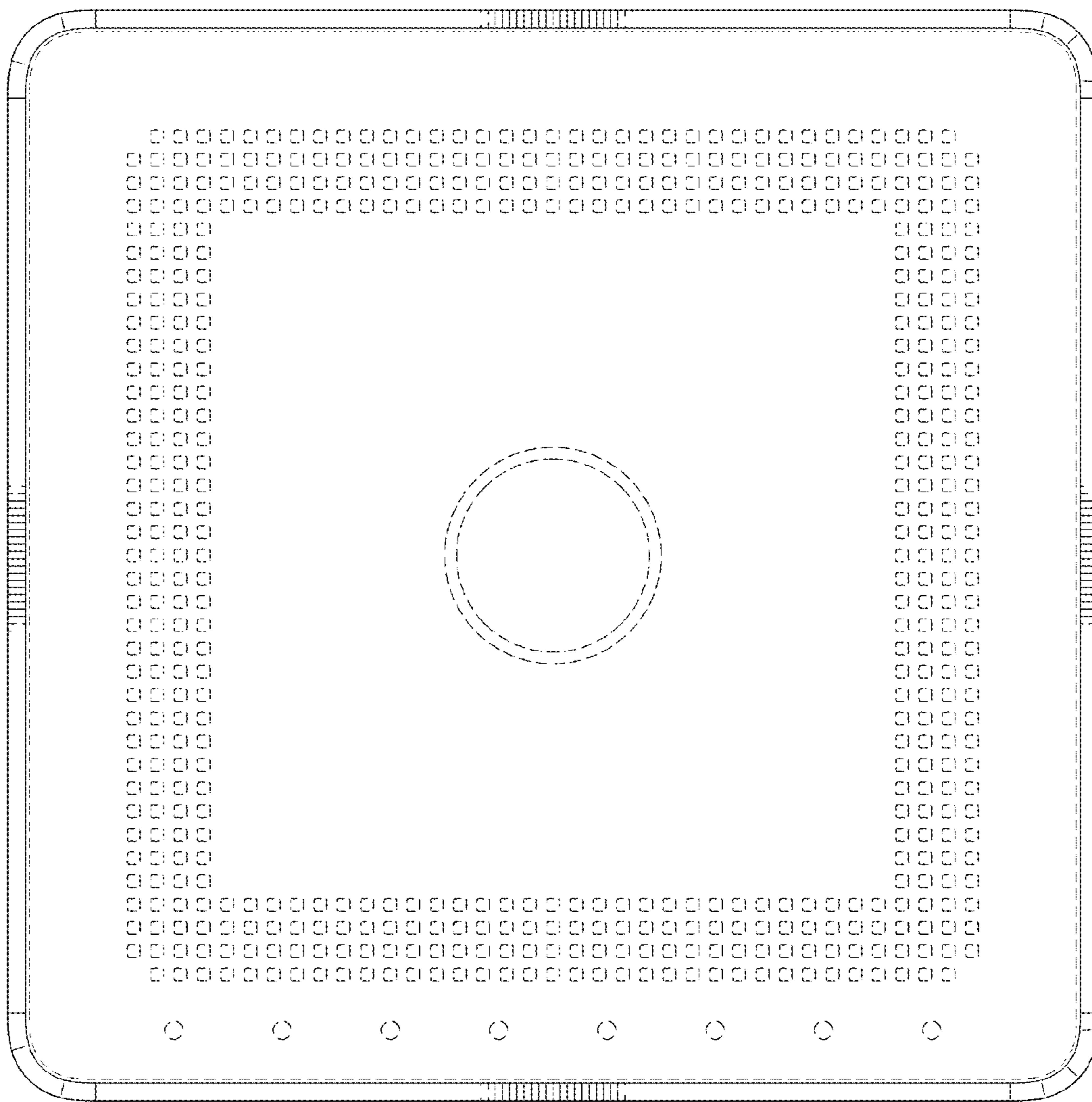


Fig. 6

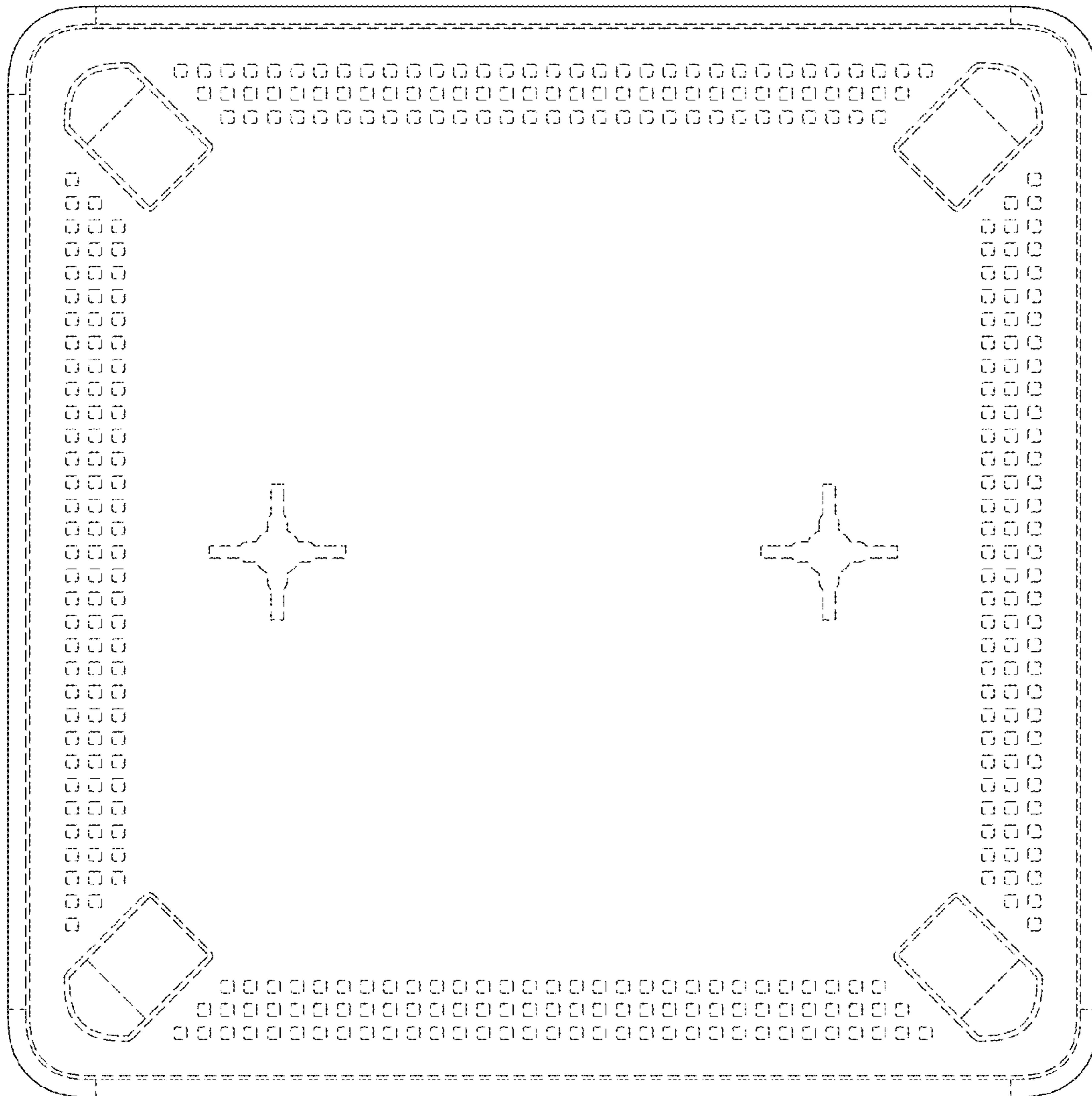


Fig. 7

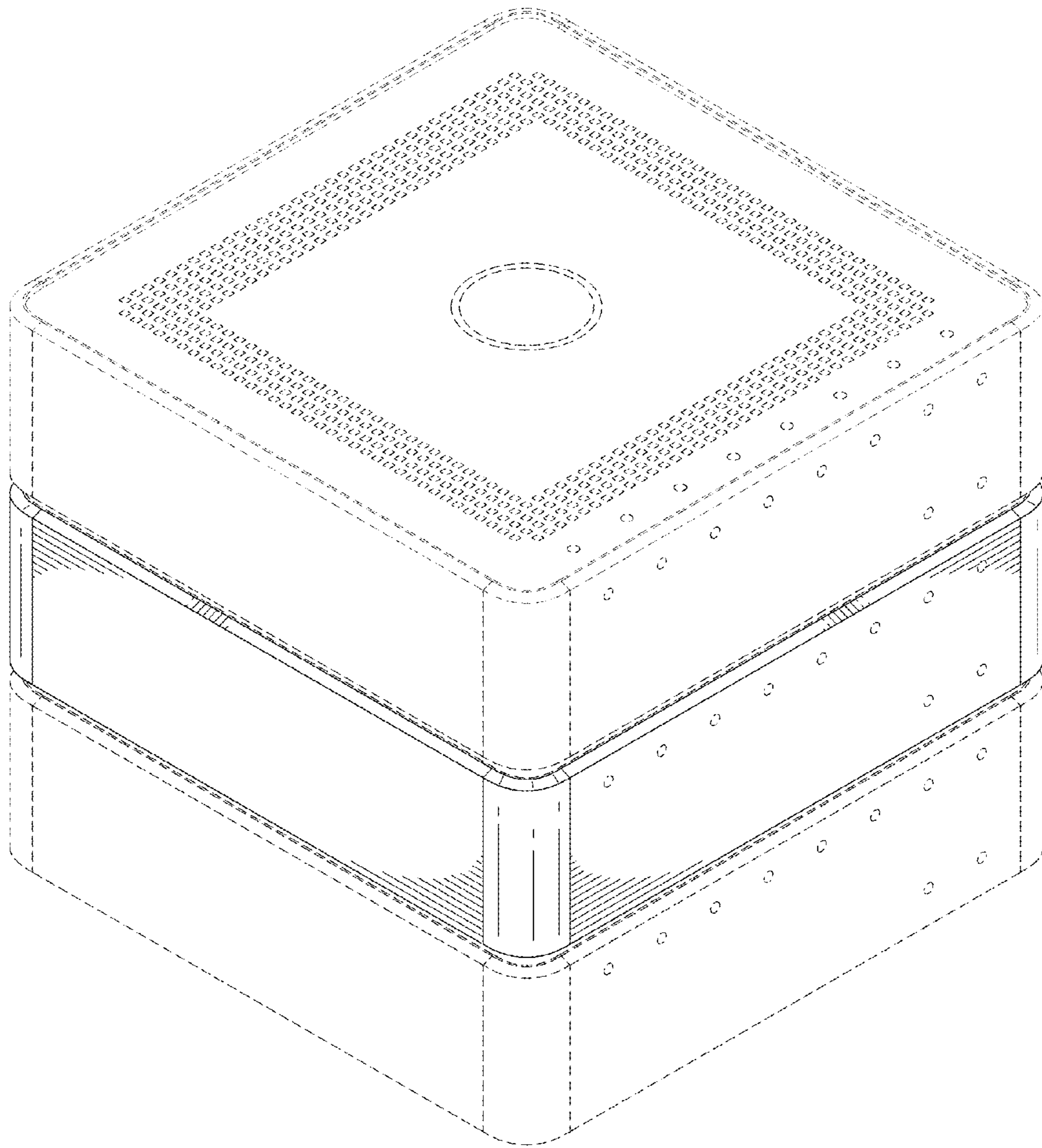


Fig. 8

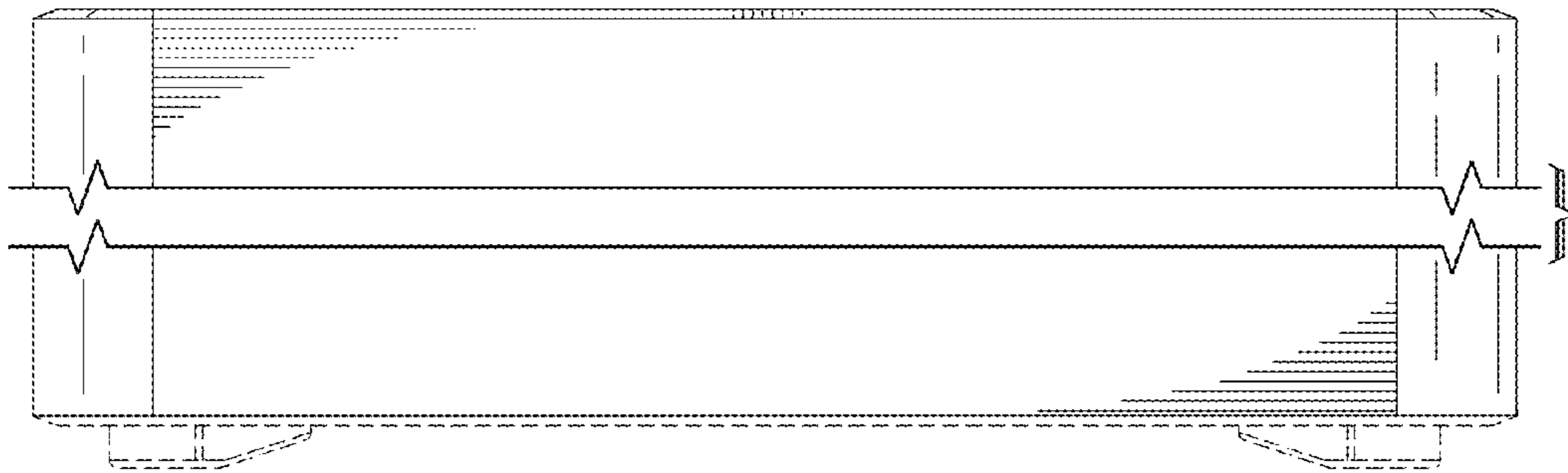


Fig. 9

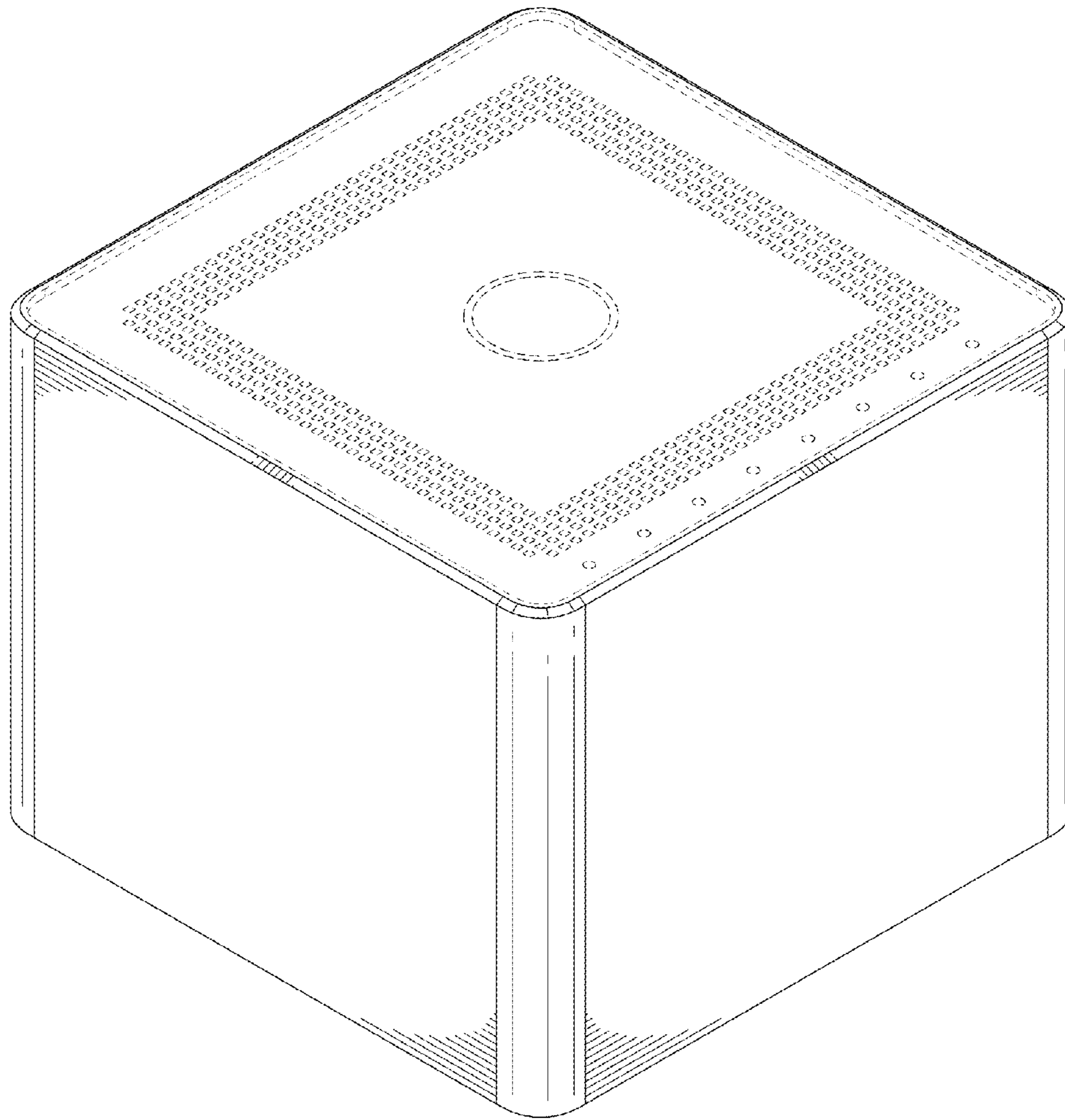


Fig. 10

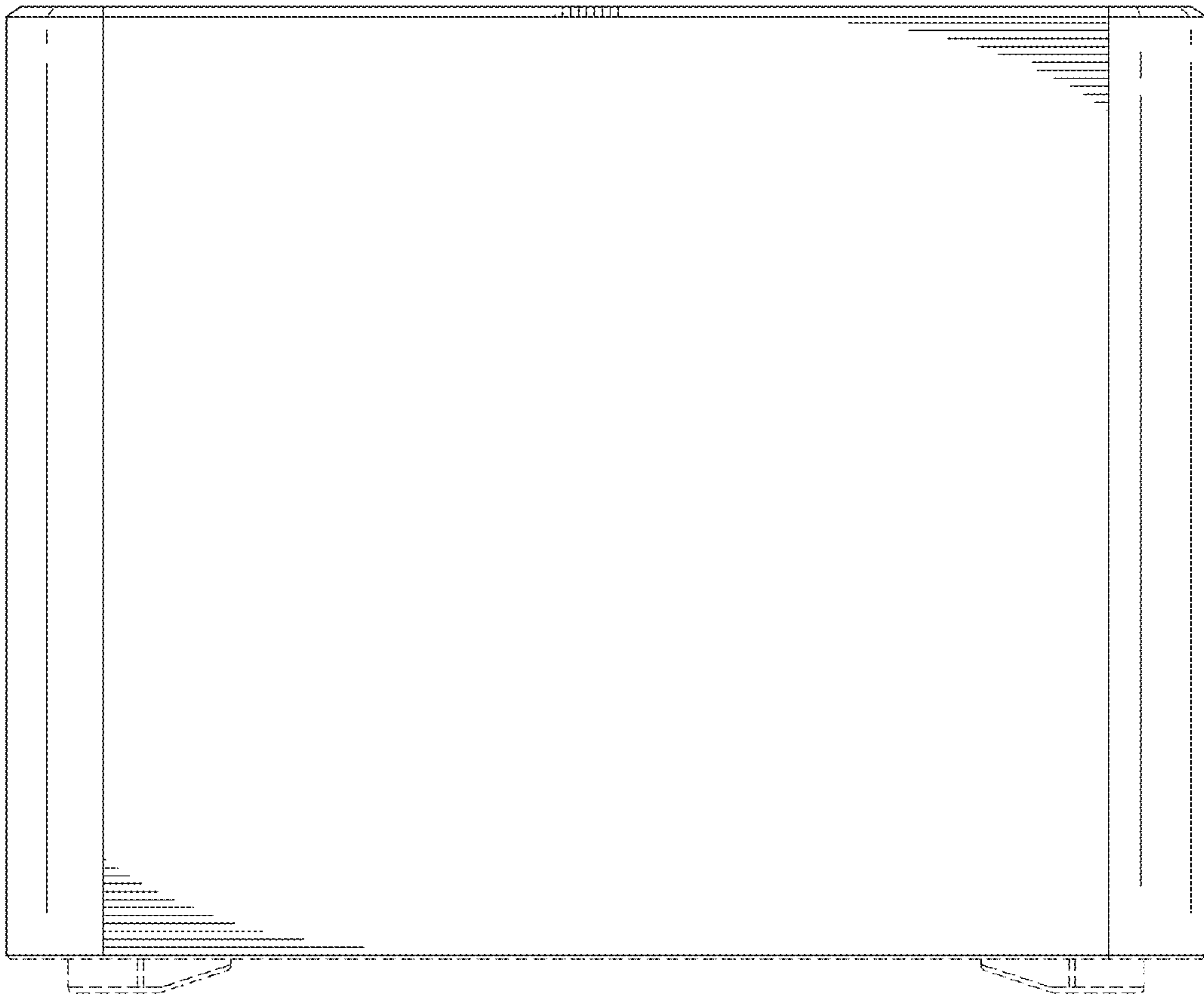


Fig. 11

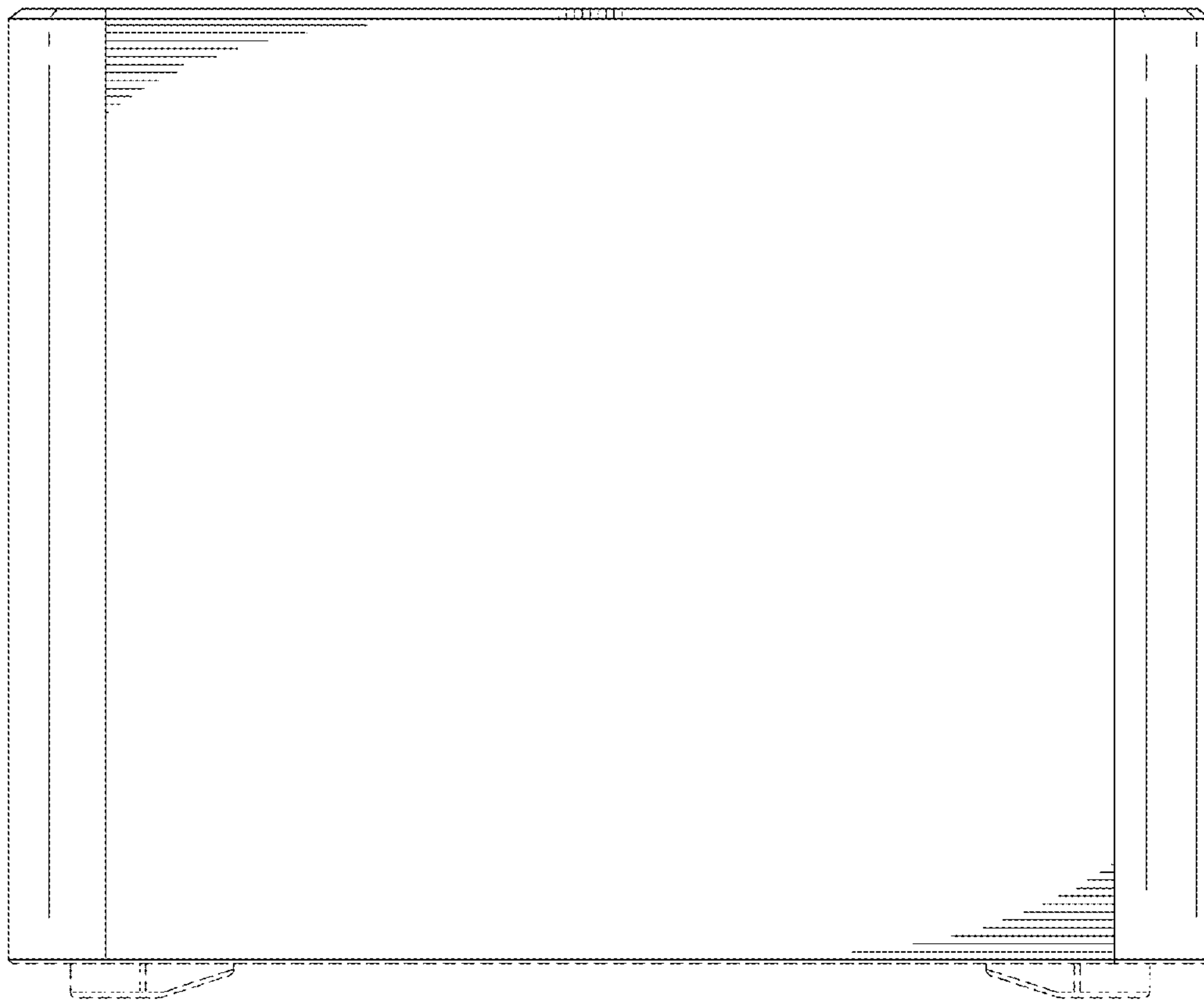


Fig. 12

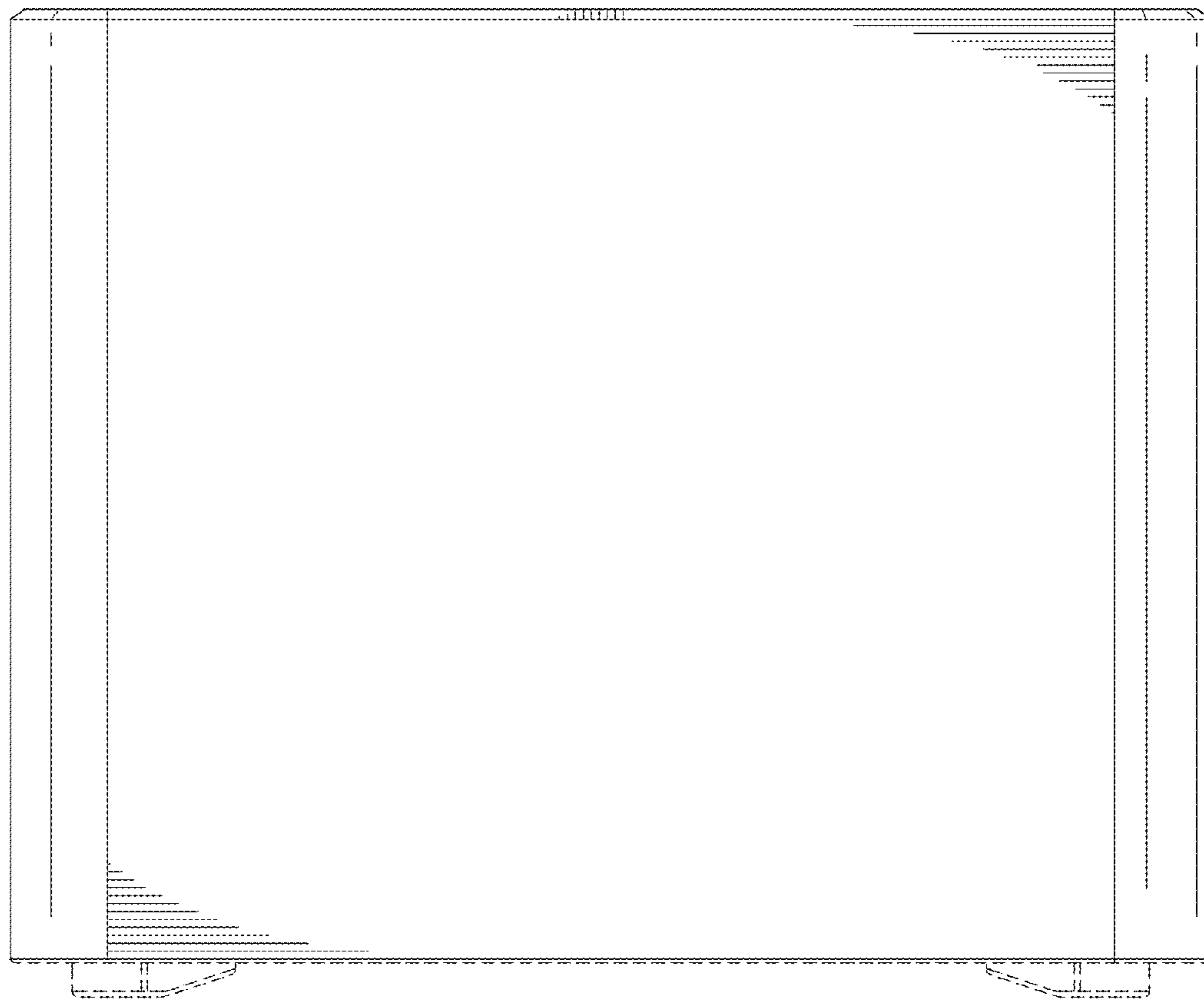


Fig. 13

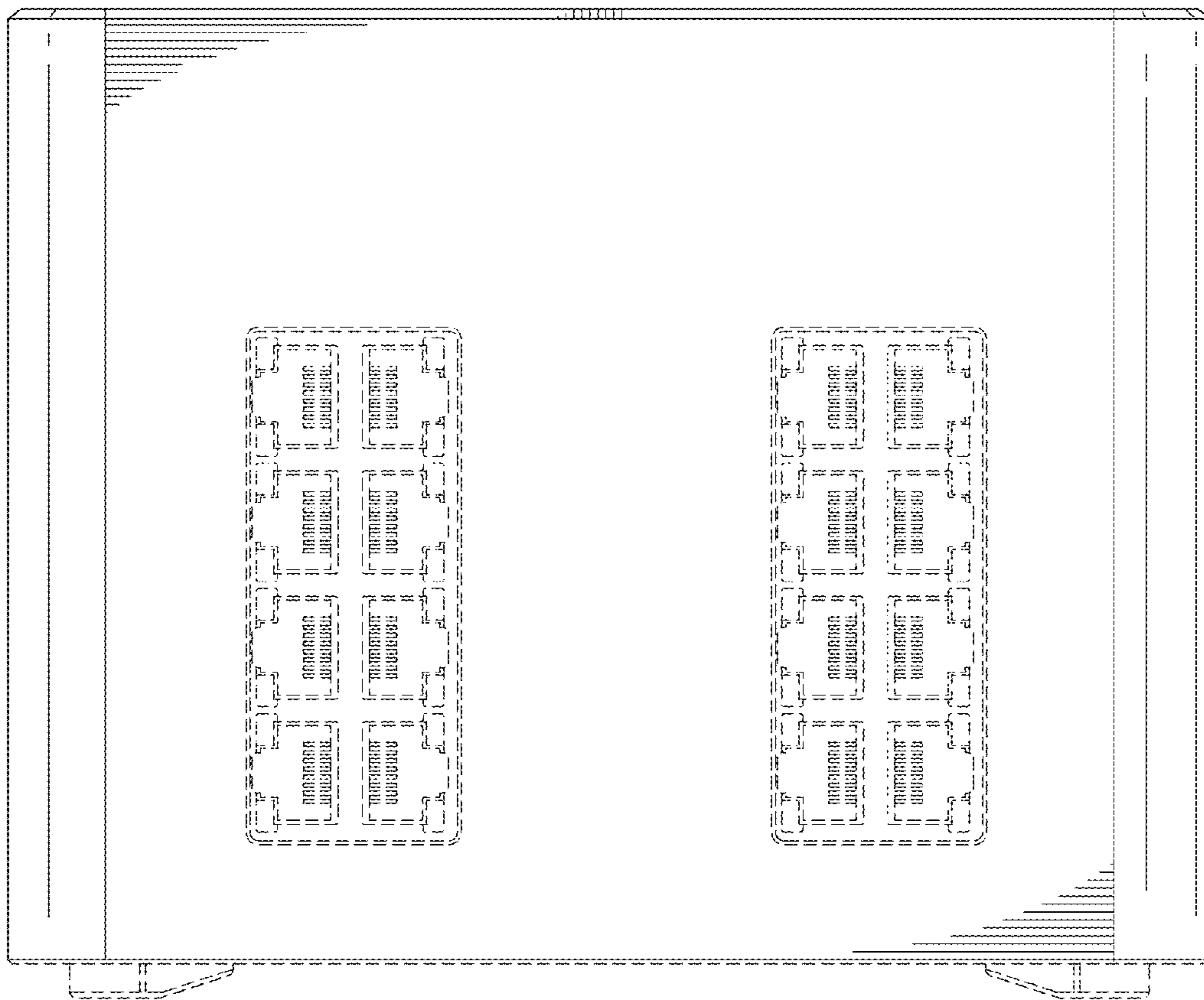


Fig. 14

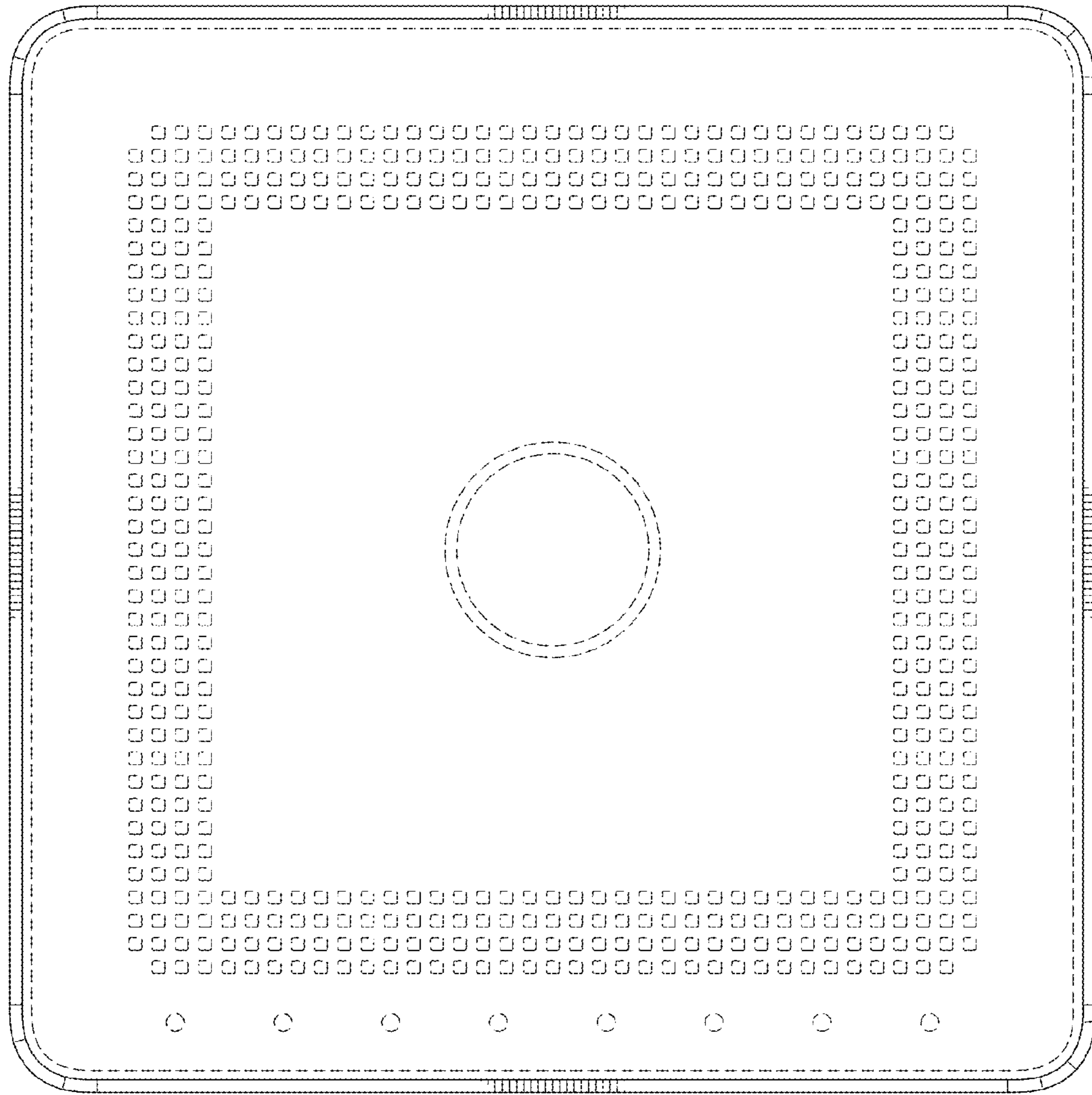


Fig. 15

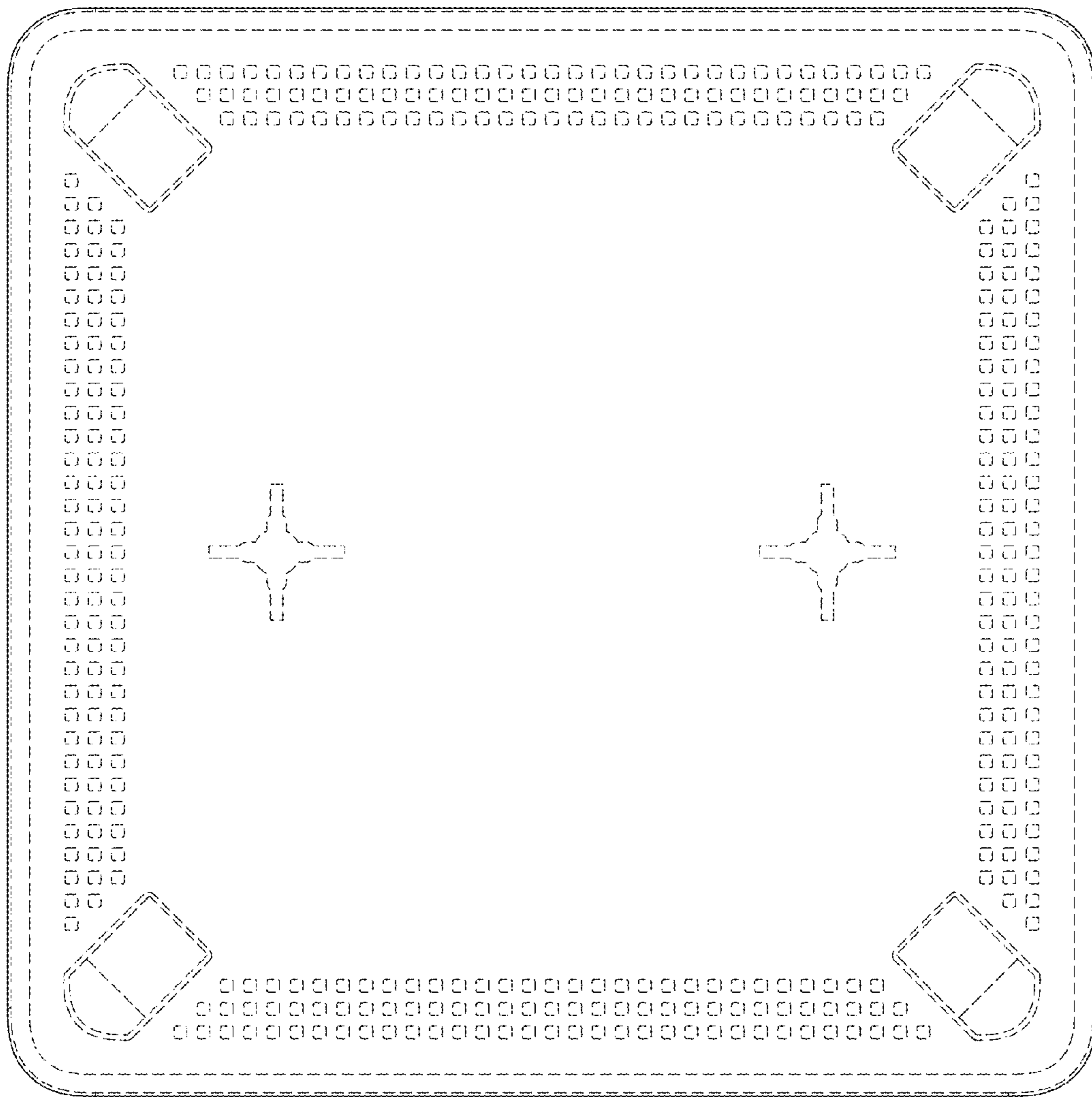


Fig. 16

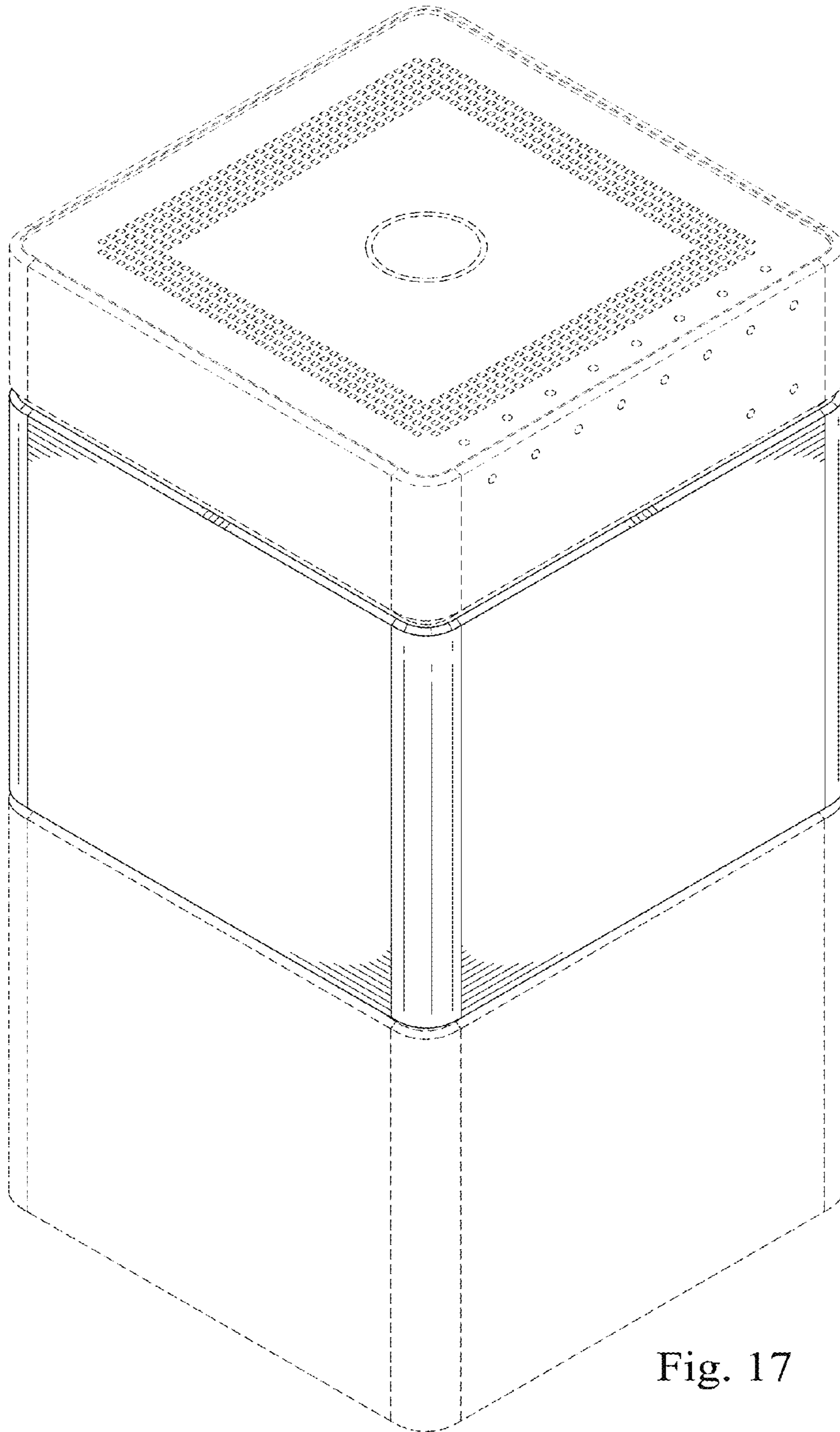


Fig. 17

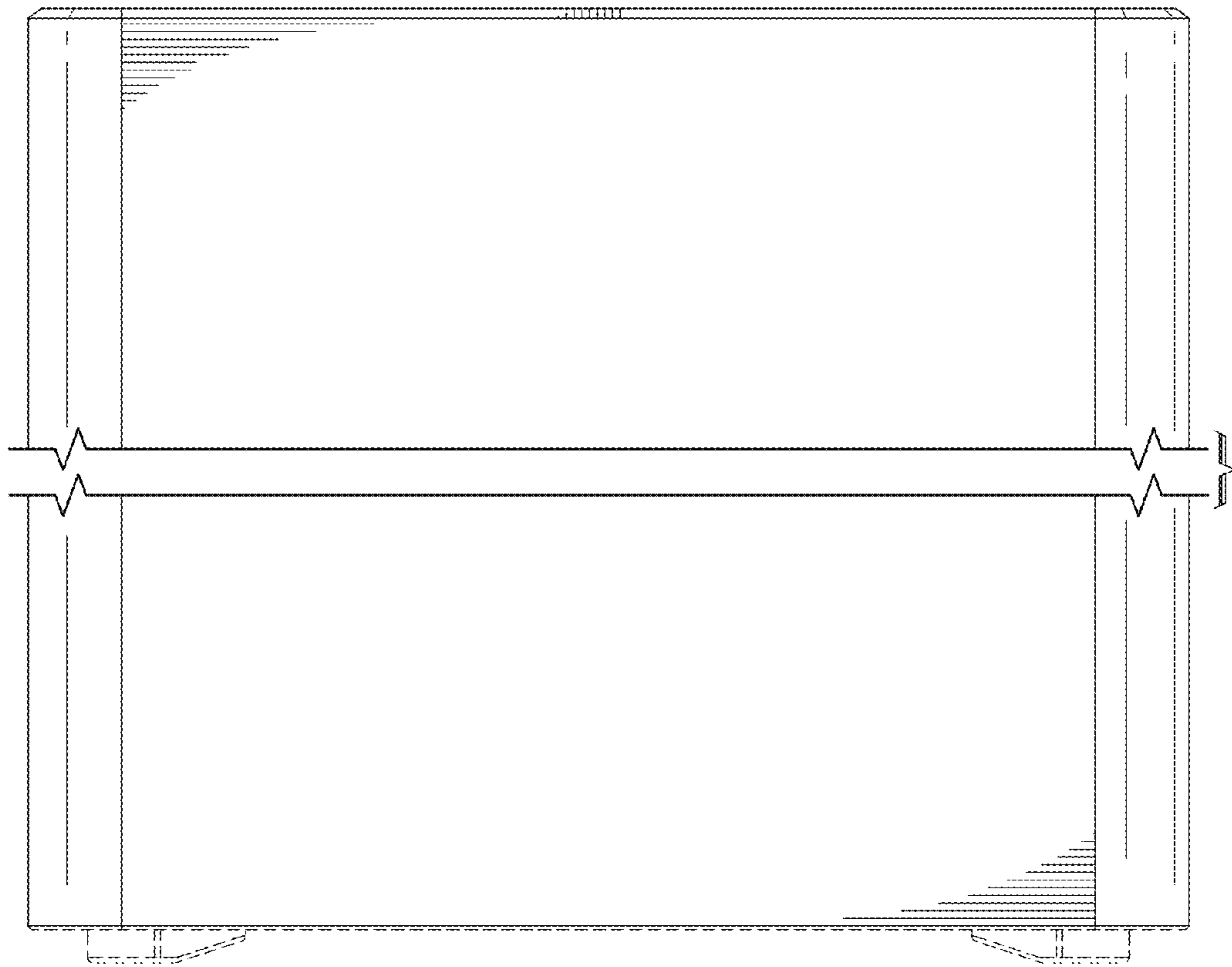


Fig. 18