



US00D757709S

(12) **United States Design Patent**
Feldstein et al.

(10) **Patent No.:** **US D757,709 S**
(45) **Date of Patent:** **** May 31, 2016**

(54) **FLIP-TOP WITH A TOUCH SCREEN**

(71) Applicant: **Crestron Electronics, Inc.**, Rockleigh,
NJ (US)

(72) Inventors: **Wendy Feldstein**, Old Tappan, NJ (US);
Edward Joy, Pelham, NY (US);
Gregory Sorrentino, Brewster, NY (US)

(**) Term: **14 Years**

(21) Appl. No.: **29/507,372**

(22) Filed: **Oct. 27, 2014**

(51) **LOC (10) Cl.** **14-02**

(52) **U.S. Cl.**
USPC **D14/307**

(58) **Field of Classification Search**

USPC D14/302-307, 900-902; D13/163;
D20/10; D21/332, 325, 369, 370;
D99/28; D6/397, 466; 194/206;
361/679.01, 679.02, 679.04, 679.21,
361/679.57, 725

CPC G06Q 20/18; G06Q 20/10; G06Q 20/123;
G06Q 20/20; G06Q 30/02; G06Q 30/06;
A47F 9/047

See application file for complete search history.

(56) **References Cited**

U.S. PATENT DOCUMENTS

D695,285 S * 12/2013 Smith D14/307
D713,840 S * 9/2014 Daniel D14/307

D725,647 S * 3/2015 Williams D14/307
D727,308 S * 4/2015 Kraft D14/307
D732,520 S * 6/2015 Themann D14/307
D732,522 S * 6/2015 Chadbourne D14/307
D734,314 S * 7/2015 Swaine D14/307
D737,808 S * 9/2015 Naumann D14/307
D738,366 S * 9/2015 Kraft D14/307
D742,870 S * 11/2015 Berini D14/307
D743,956 S * 11/2015 Kraft D14/307

* cited by examiner

Primary Examiner — Austin Murphy

(57) **CLAIM**

The ornamental design for a flip-top with a touch screen, as shown and described.

DESCRIPTION

FIG. 1 shows a front elevation perspective view of flip-top with a touch screen.

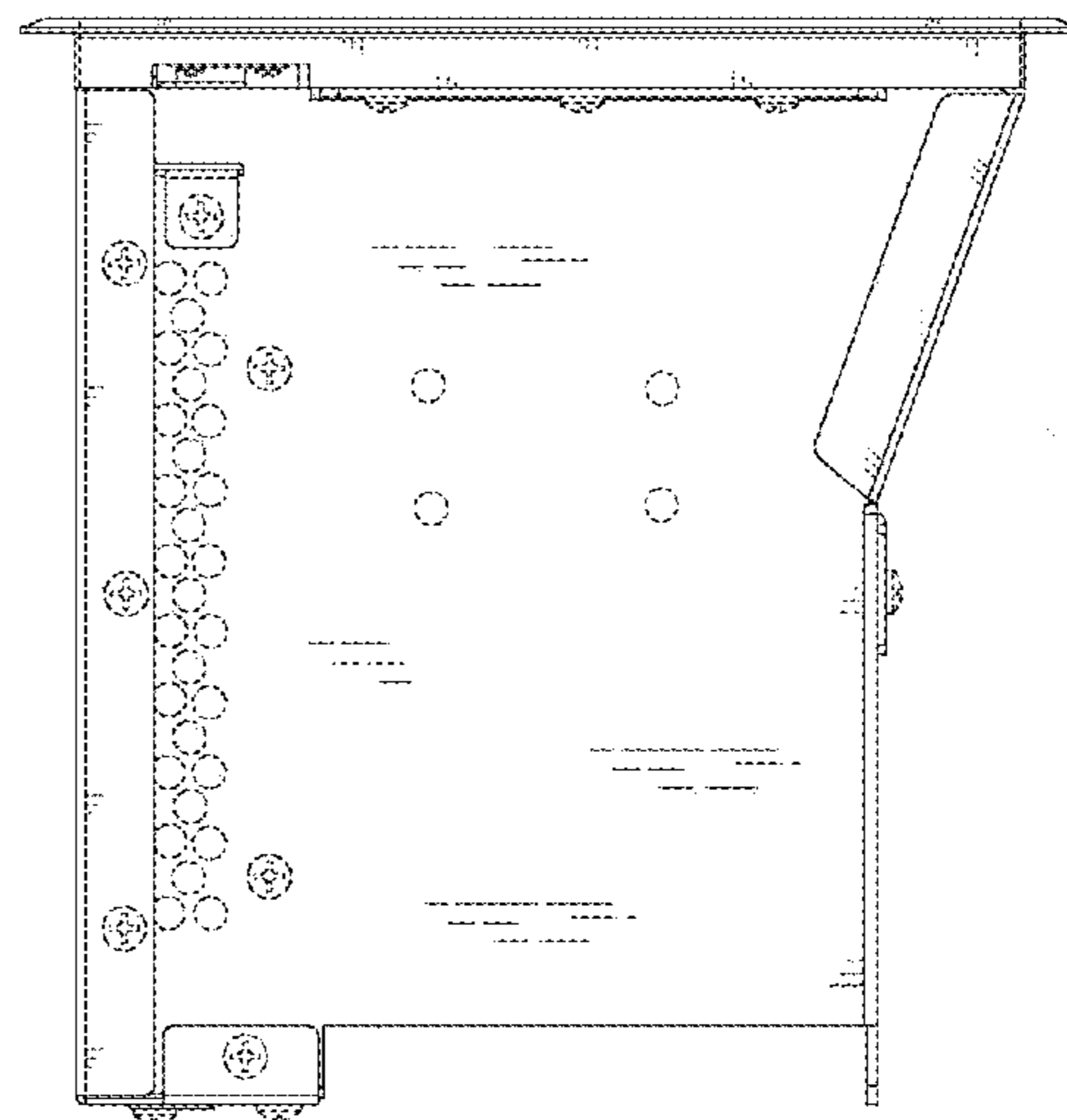
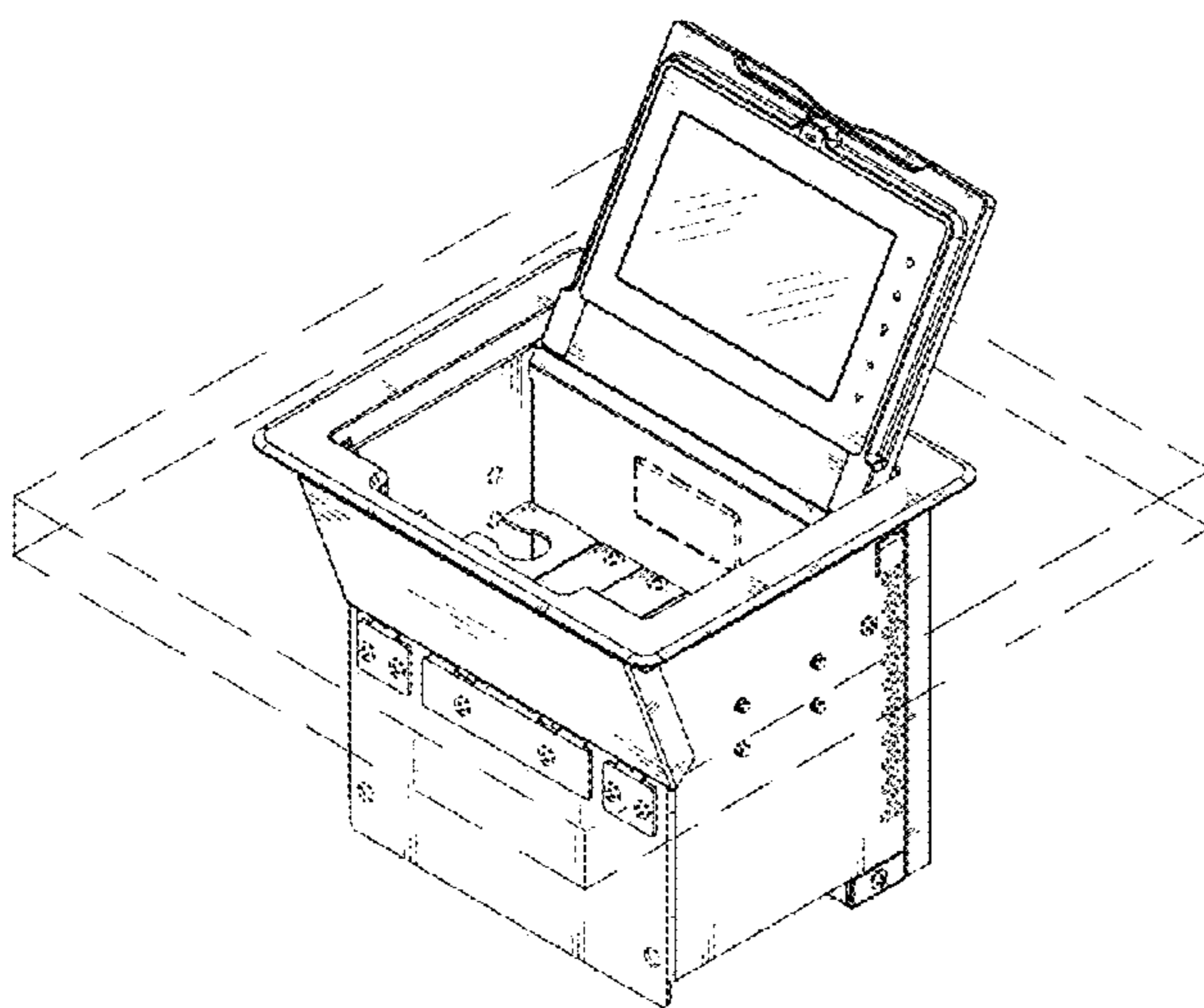
FIG. 2 shows a top elevation view of a flip-top with a touch screen.

FIG. 3 shows a right elevation view of a flip-top with a touch screen.

FIG. 4 shows a bottom view of a flip-top with a touch screen; and,

FIG. 5 shows a rear view of a flip-top with a touch screen. The broken line portion of the figure drawings is included to show unclaimed subject matter only and forms no part of the claimed design.

1 Claim, 5 Drawing Sheets



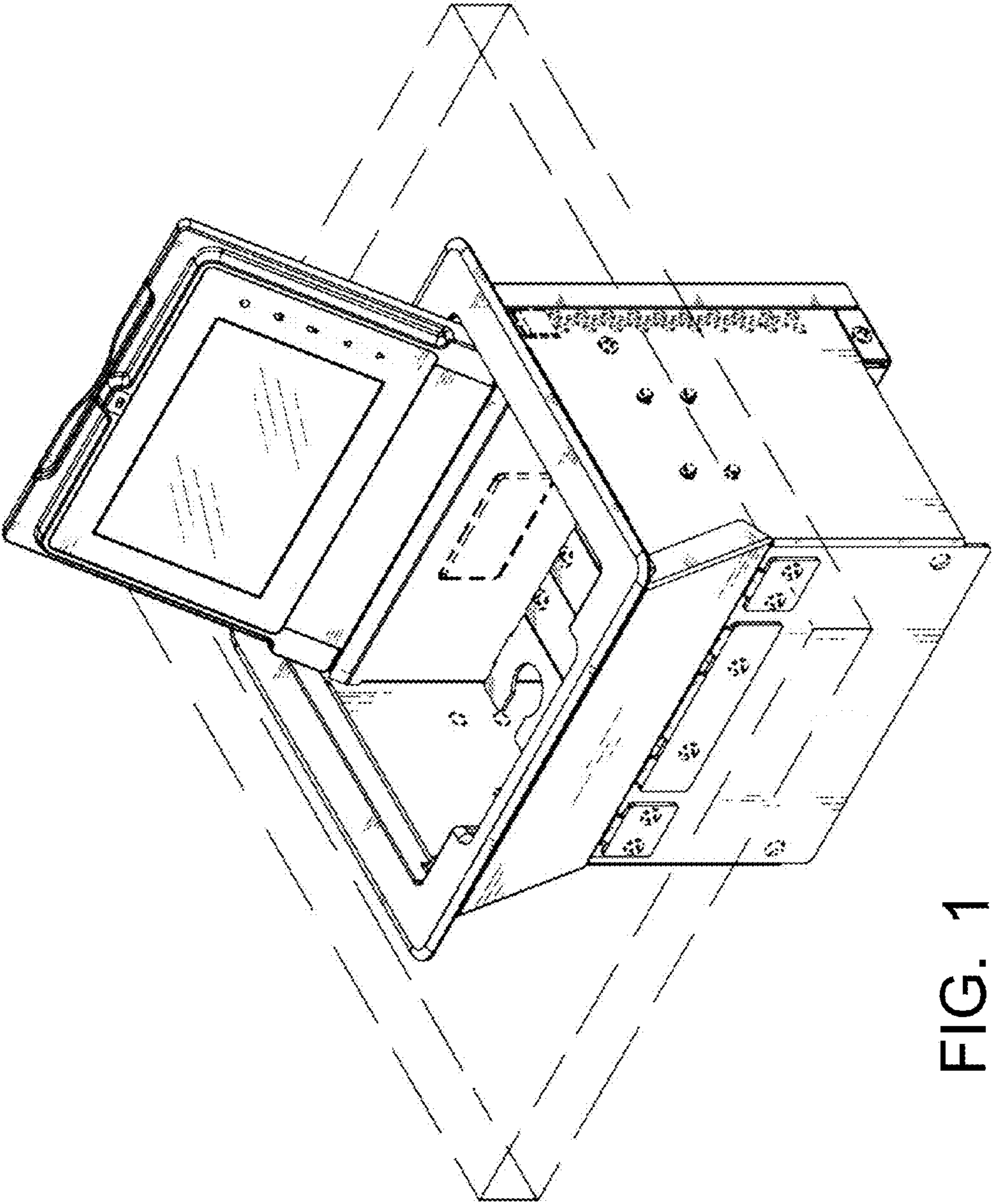


FIG. 1

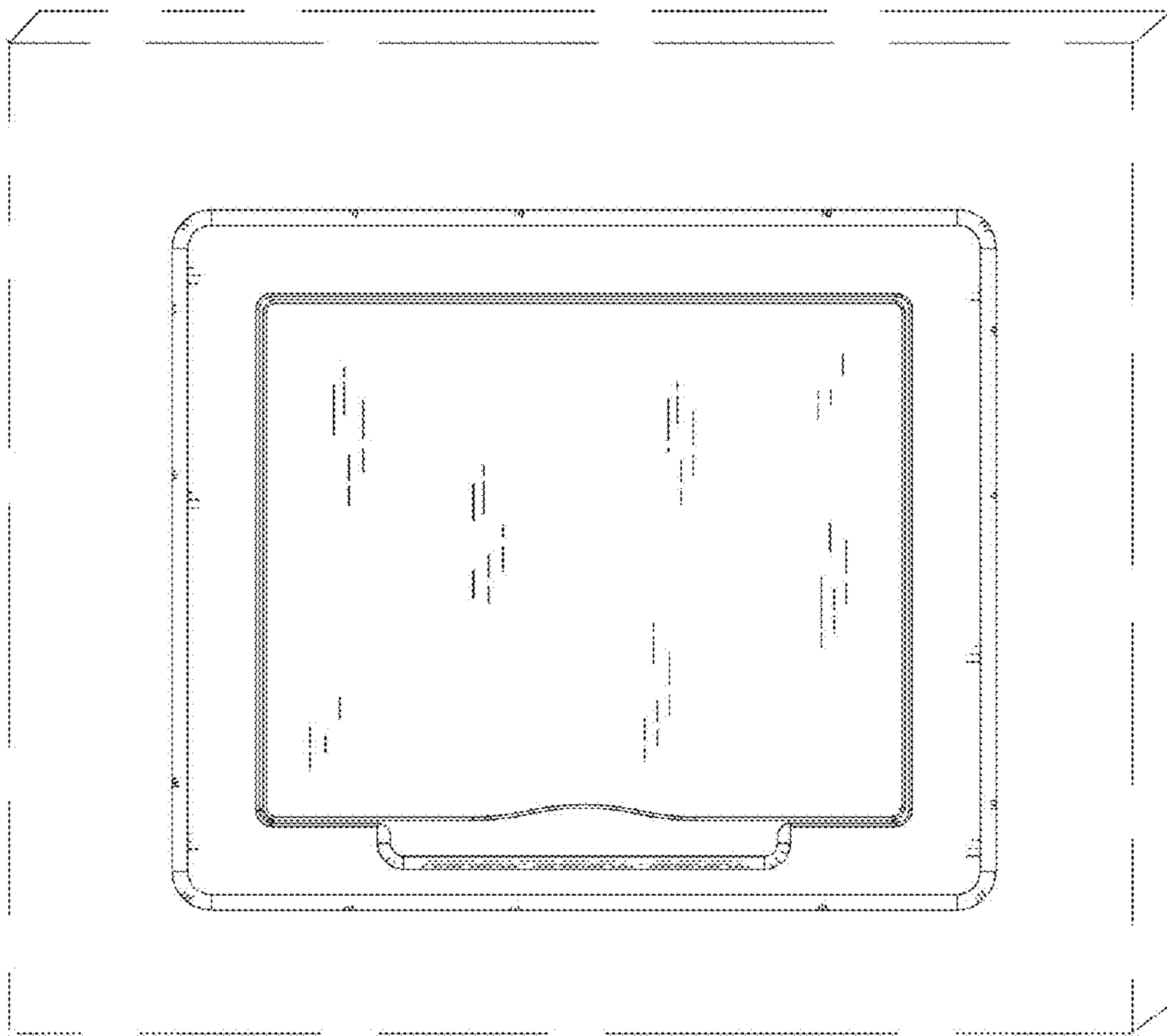


FIG. 2

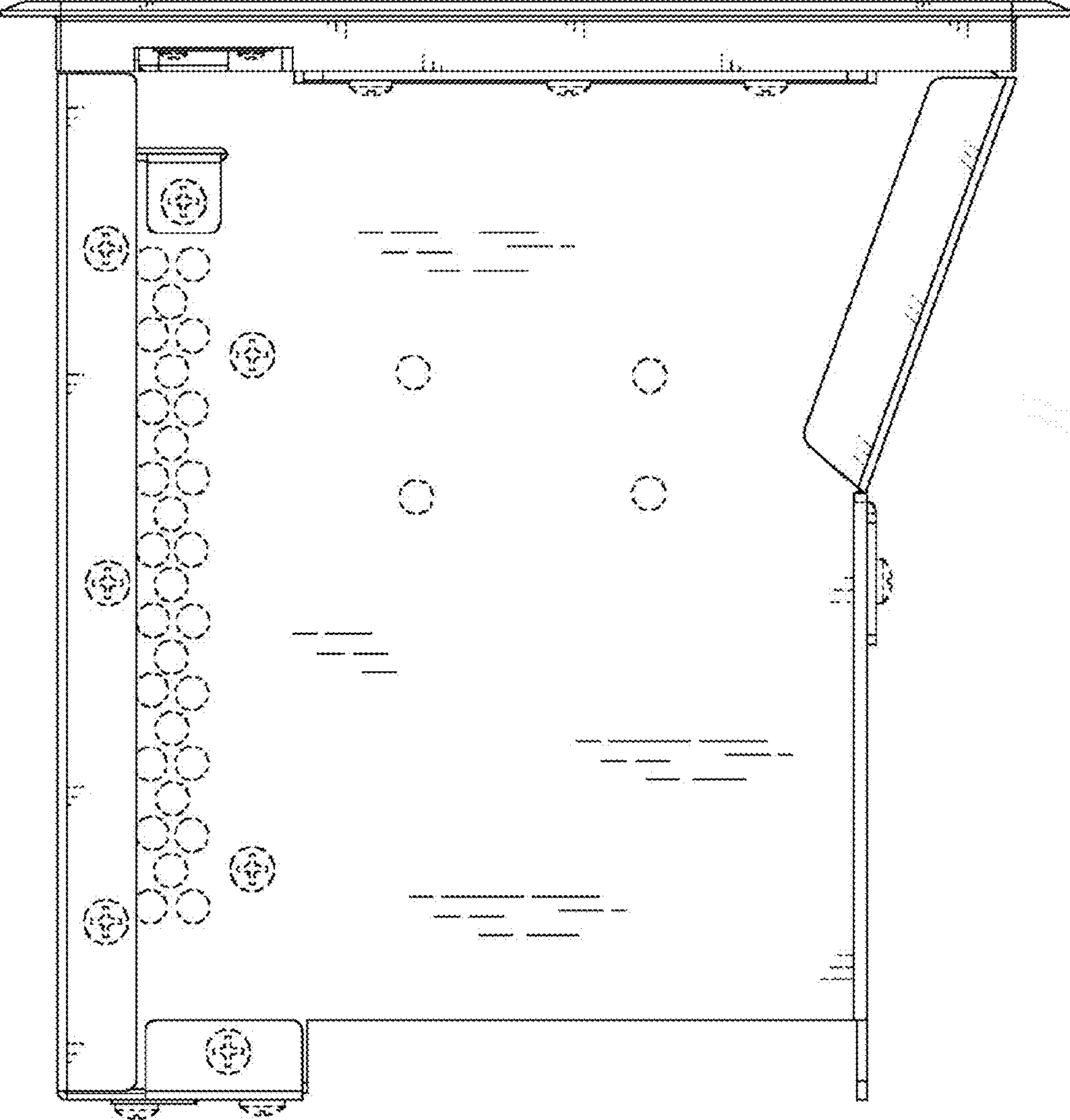


FIG. 3

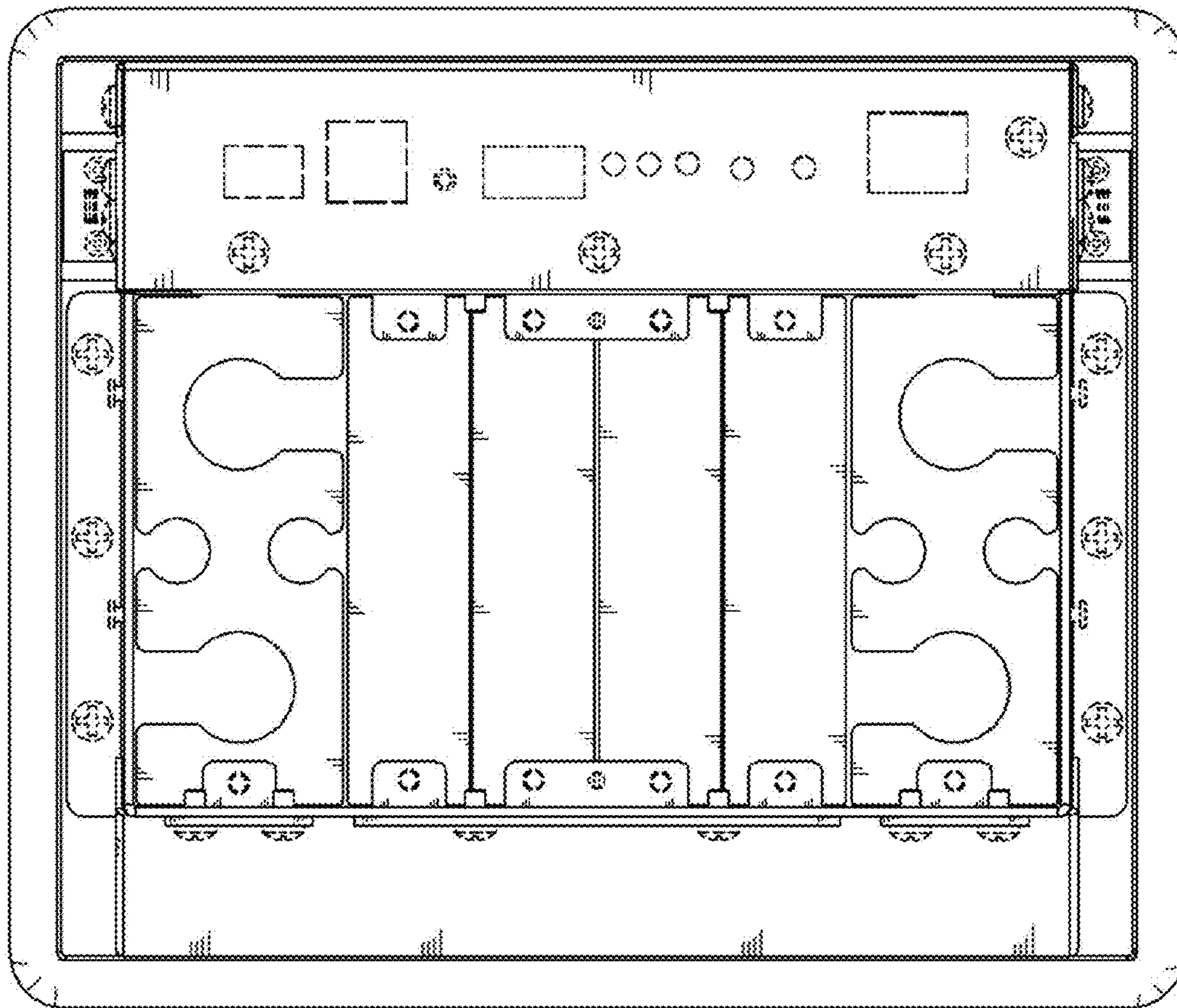


FIG. 4

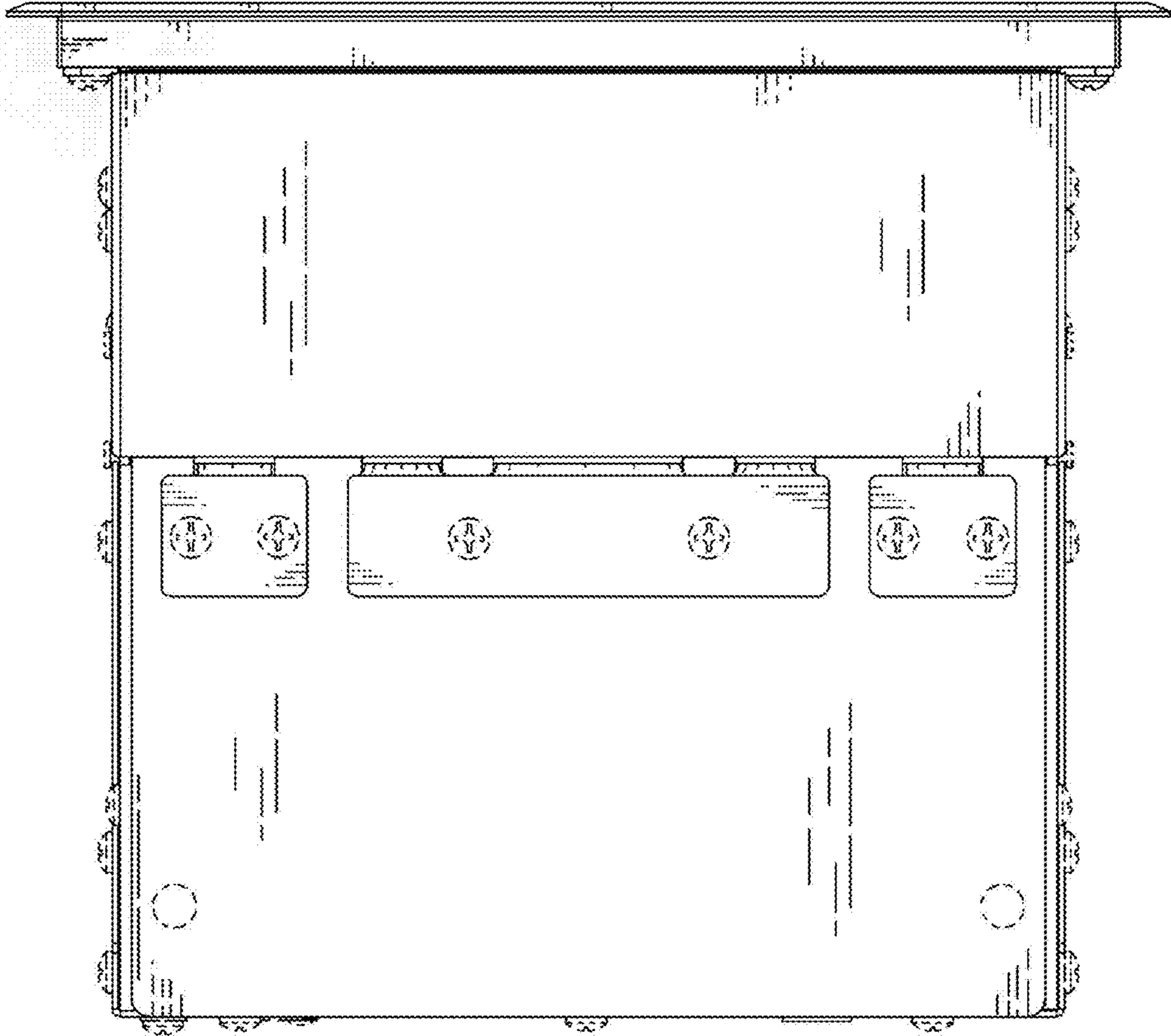


FIG. 5