



US00D757708S

(12) **United States Design Patent**
Fiore, IV

(10) **Patent No.:** **US D757,708 S**

(45) **Date of Patent:** **** May 31, 2016**

(54) **AUTO STEREO MOUNTING DEVICE**

(56) **References Cited**

(71) Applicant: **Anthony Fiore, IV**, Palm Coast, FL
(US)

U.S. PATENT DOCUMENTS

(72) Inventor: **Anthony Fiore, IV**, Palm Coast, FL
(US)

D482,023 S *	11/2003	Quilling, II	D14/224
D555,156 S *	11/2007	Quilling	D14/258
D602,013 S *	10/2009	Quilling, II	D14/258
D638,832 S *	5/2011	Quilling, II	D14/258
D640,684 S *	6/2011	Fiore, IV	D14/258
D716,790 S *	11/2014	Fiore, IV	D14/258
D716,791 S *	11/2014	Quilling, II	D14/258

(73) Assignee: **Metra Electronics Corporation**, Holly Hill, FL (US)

* cited by examiner

(**) Term: **14 Years**

Primary Examiner — Sandra Morris

(21) Appl. No.: **29/519,163**

(74) *Attorney, Agent, or Firm* — J. Wiley Horton

(22) Filed: **Mar. 3, 2015**

(57) **CLAIM**

(51) **LOC (10) Cl.** **14-03**

The ornamental design for an “auto stereo mounting device”, as shown and described.

(52) **U.S. Cl.**

DESCRIPTION

USPC **D14/258**

(58) **Field of Classification Search**

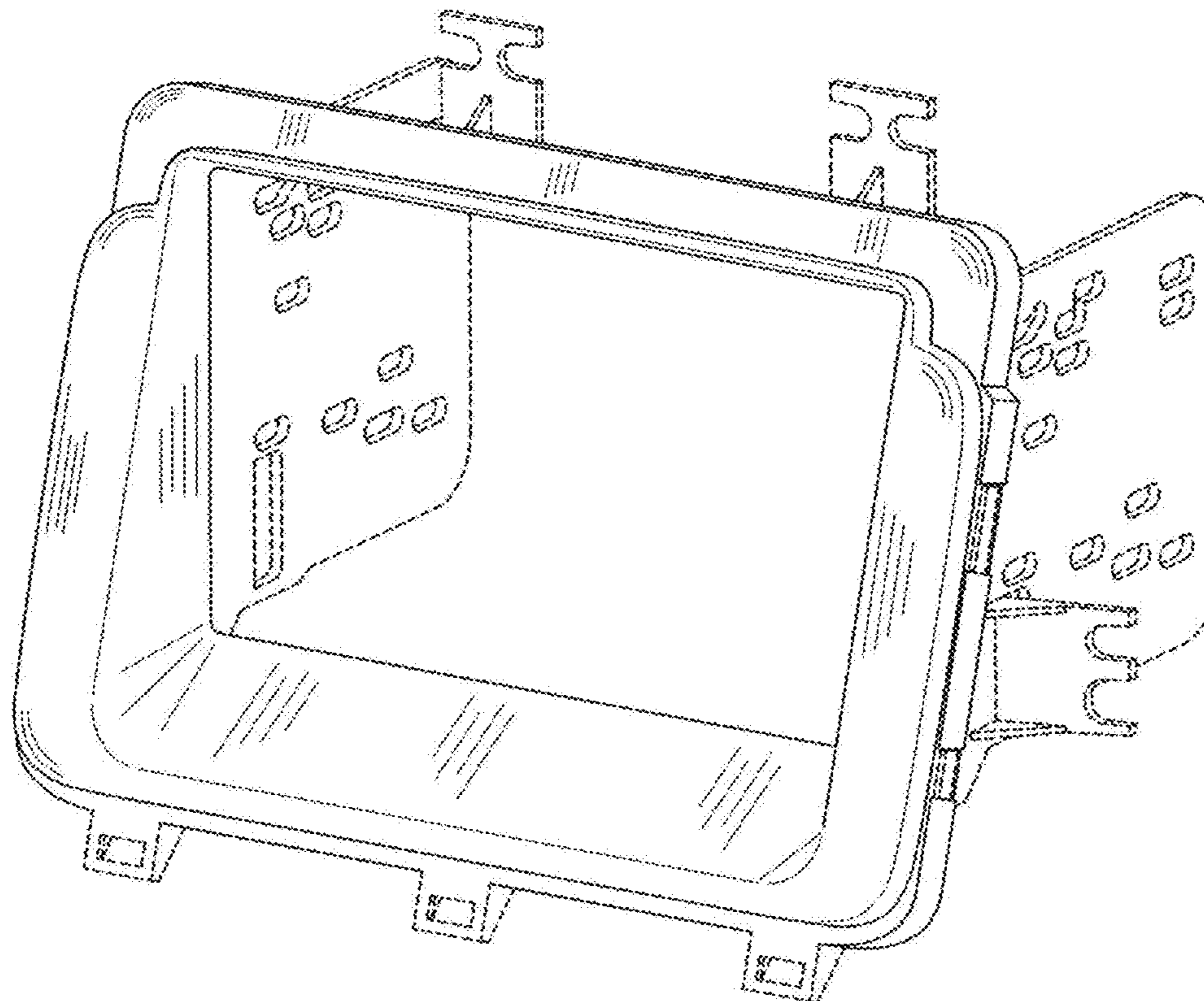
USPC D12/192, 195, 415, 420; D14/157, 168,
D14/218, 224, 257–258, 265; 248/27.1,
248/27.3, 558; 455/347, 350

FIG. 1 is a perspective view of an auto stereo mounting device, showing my design;
FIG. 2 is a front elevation view of FIG. 1;
FIG. 3 is a rear elevation view of FIG. 1;
FIG. 4 is a right side elevation view of FIG. 1;
FIG. 5 is a left side elevation view of FIG. 1;
FIG. 6 is top plan view of FIG. 1; and,
FIG. 7 is a bottom plan view of FIG. 1.
The broken lines shown in all views illustrate mounting features which form no part of the claimed design.

CPC B60K 37/04; H04B 1/08; H04B 1/082

See application file for complete search history.

1 Claim, 7 Drawing Sheets



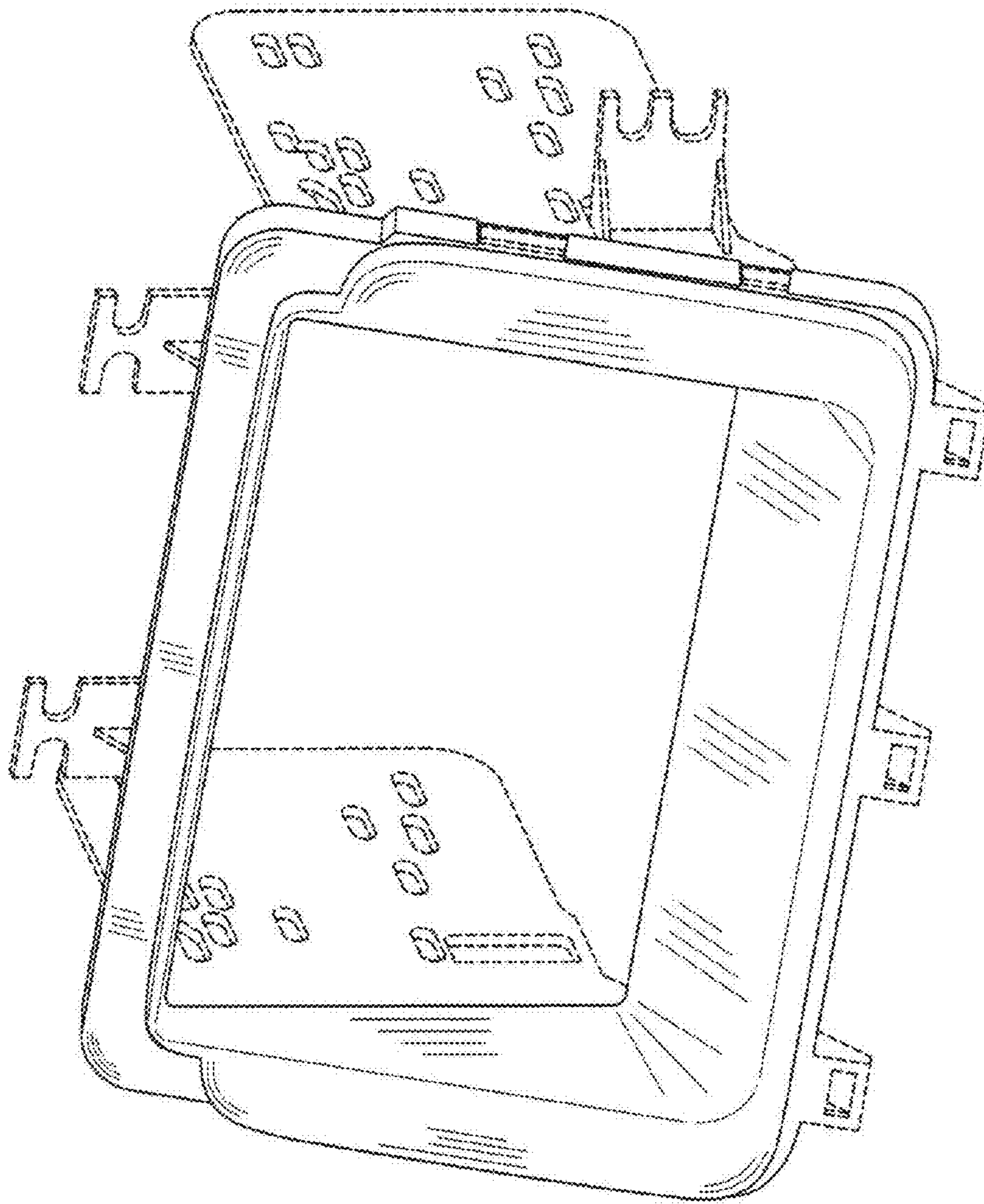


FIG. 1

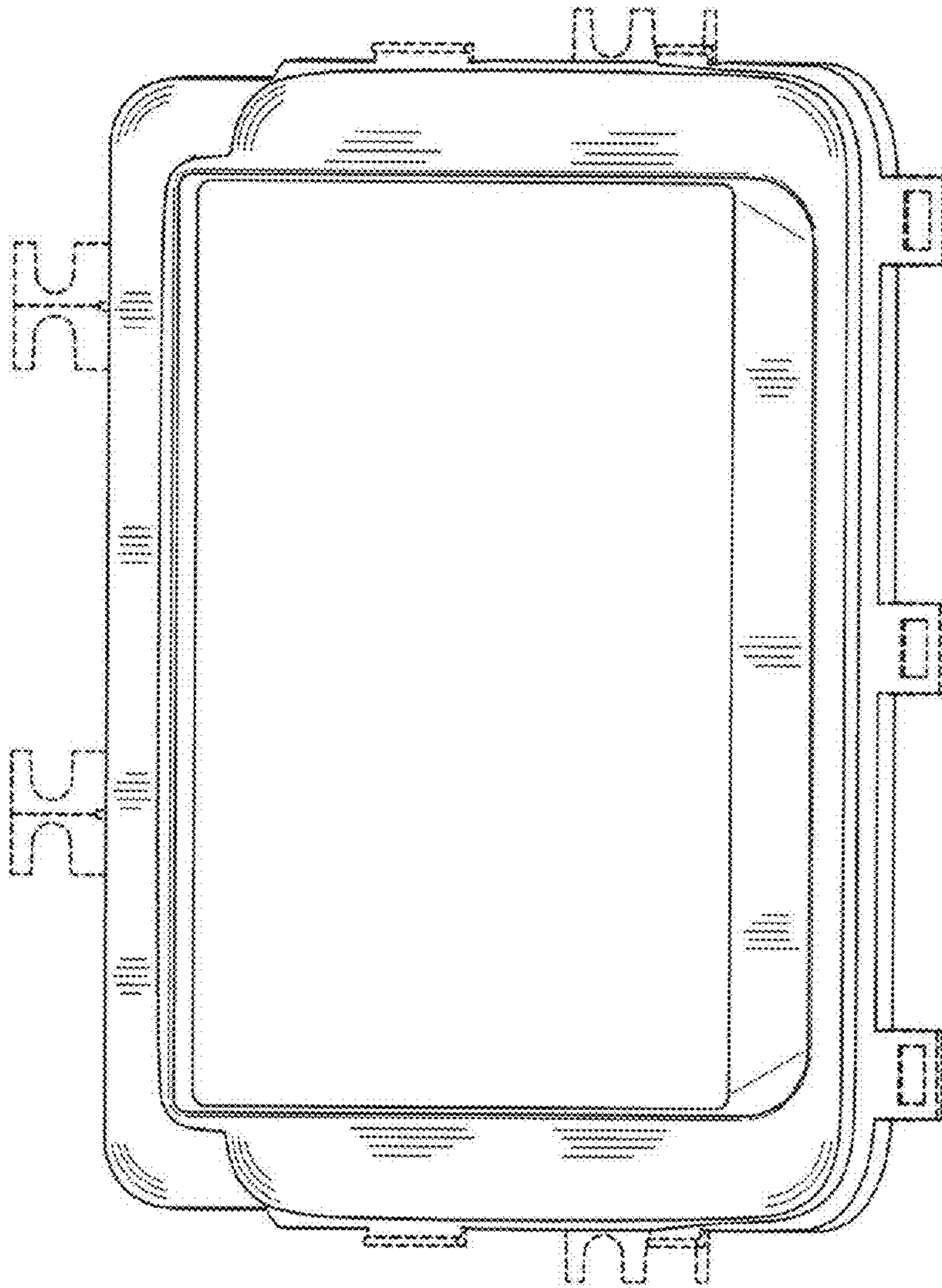


FIG. 2

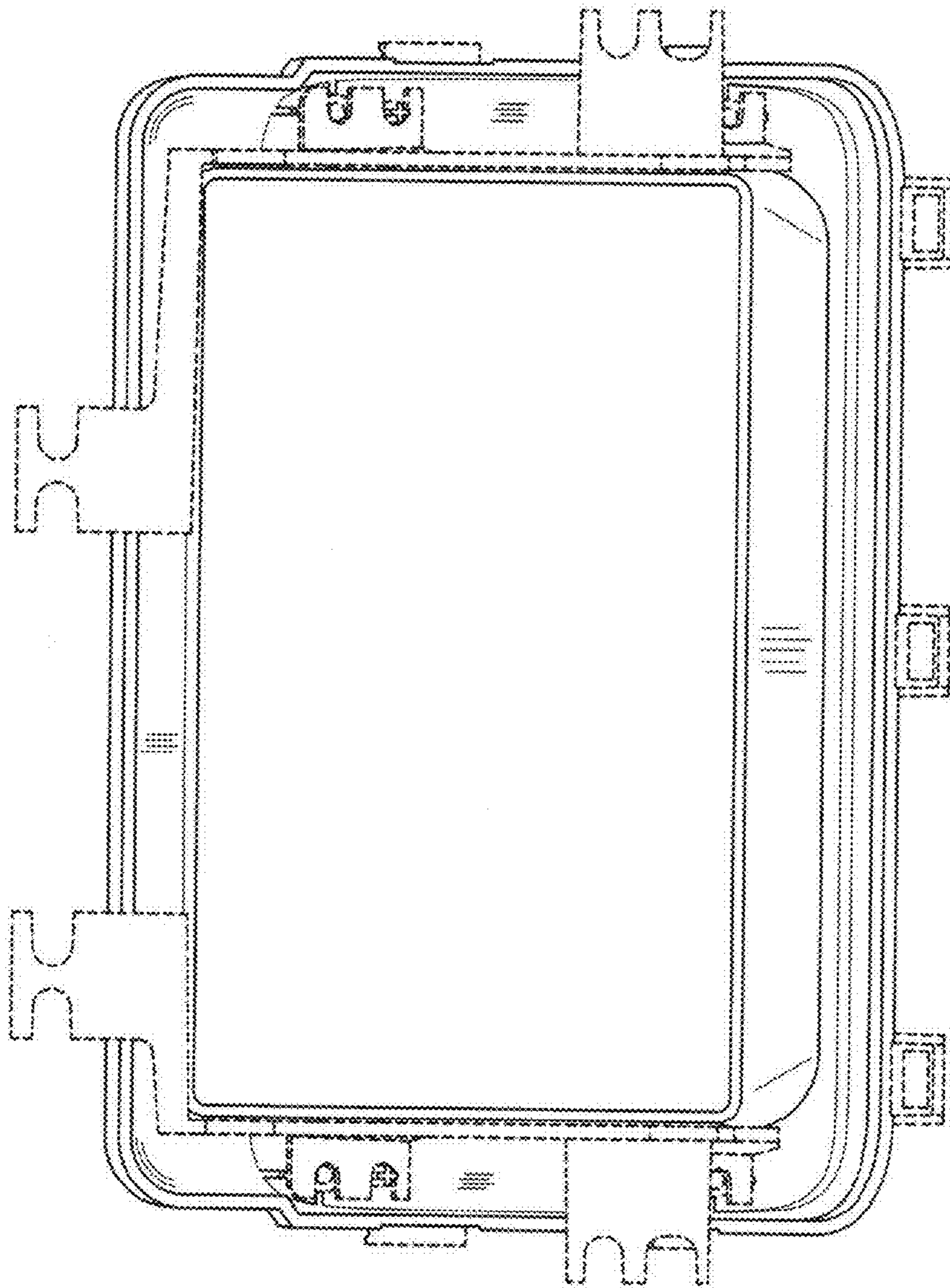


FIG. 3

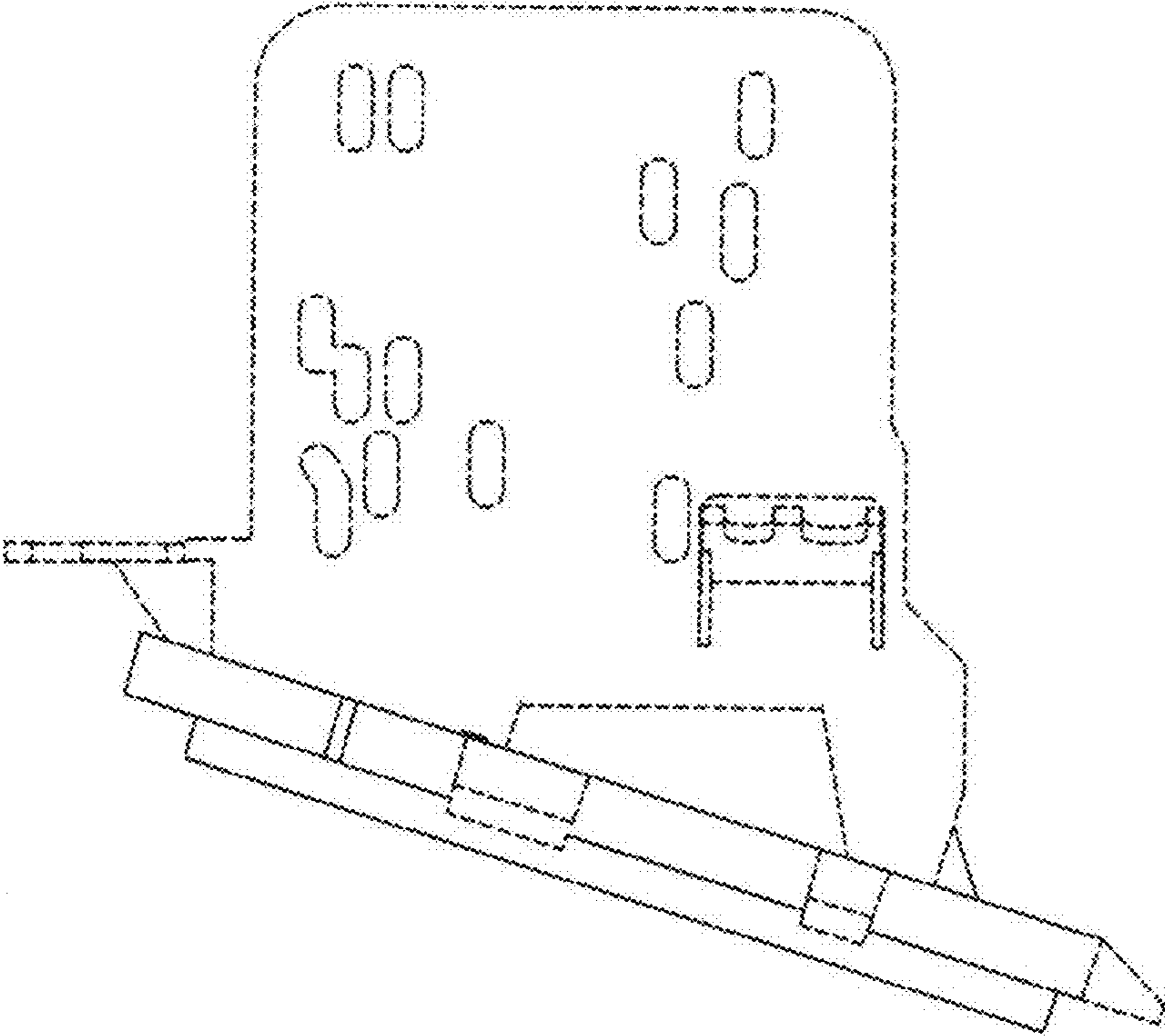


FIG. 4

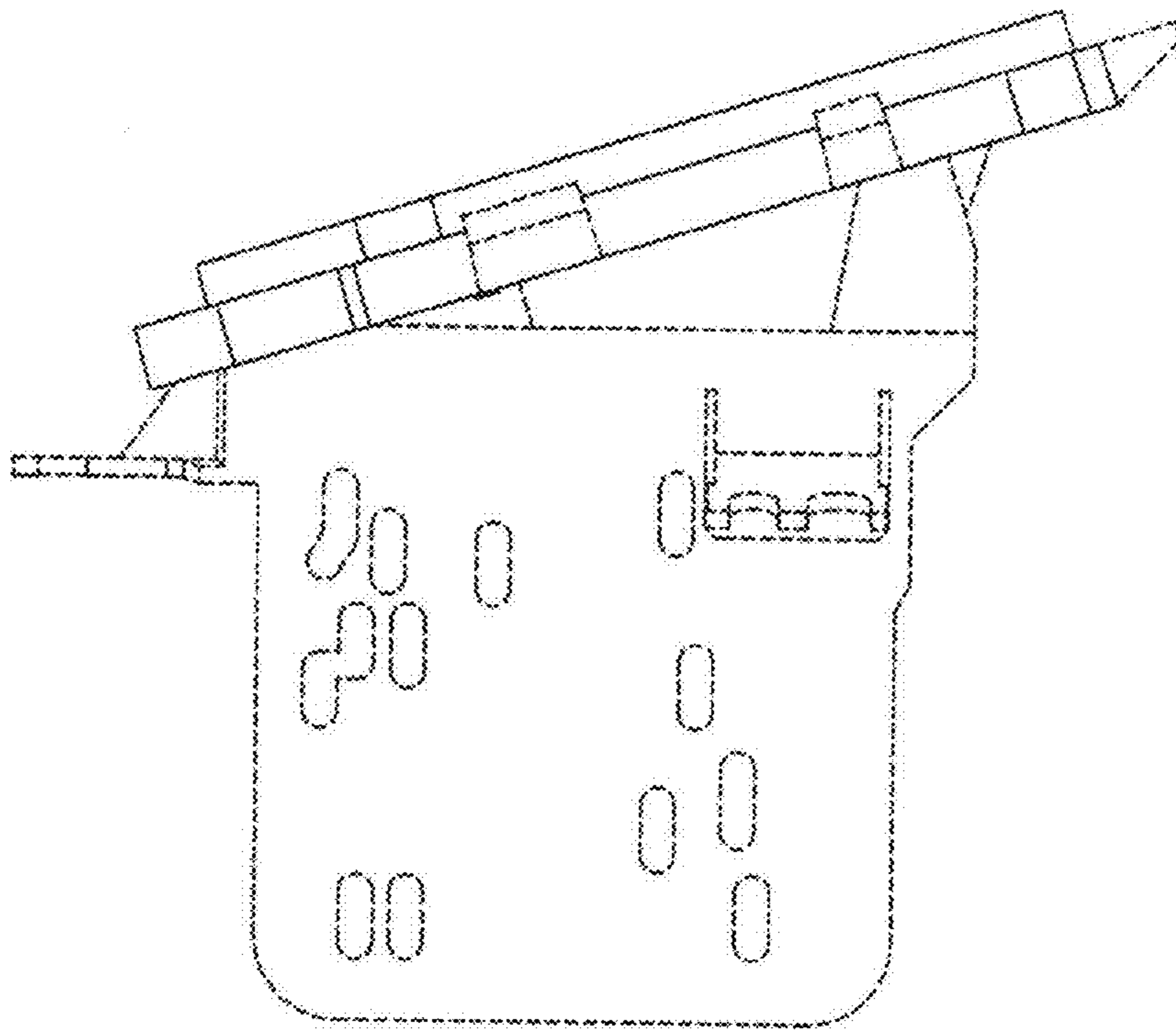


FIG. 5

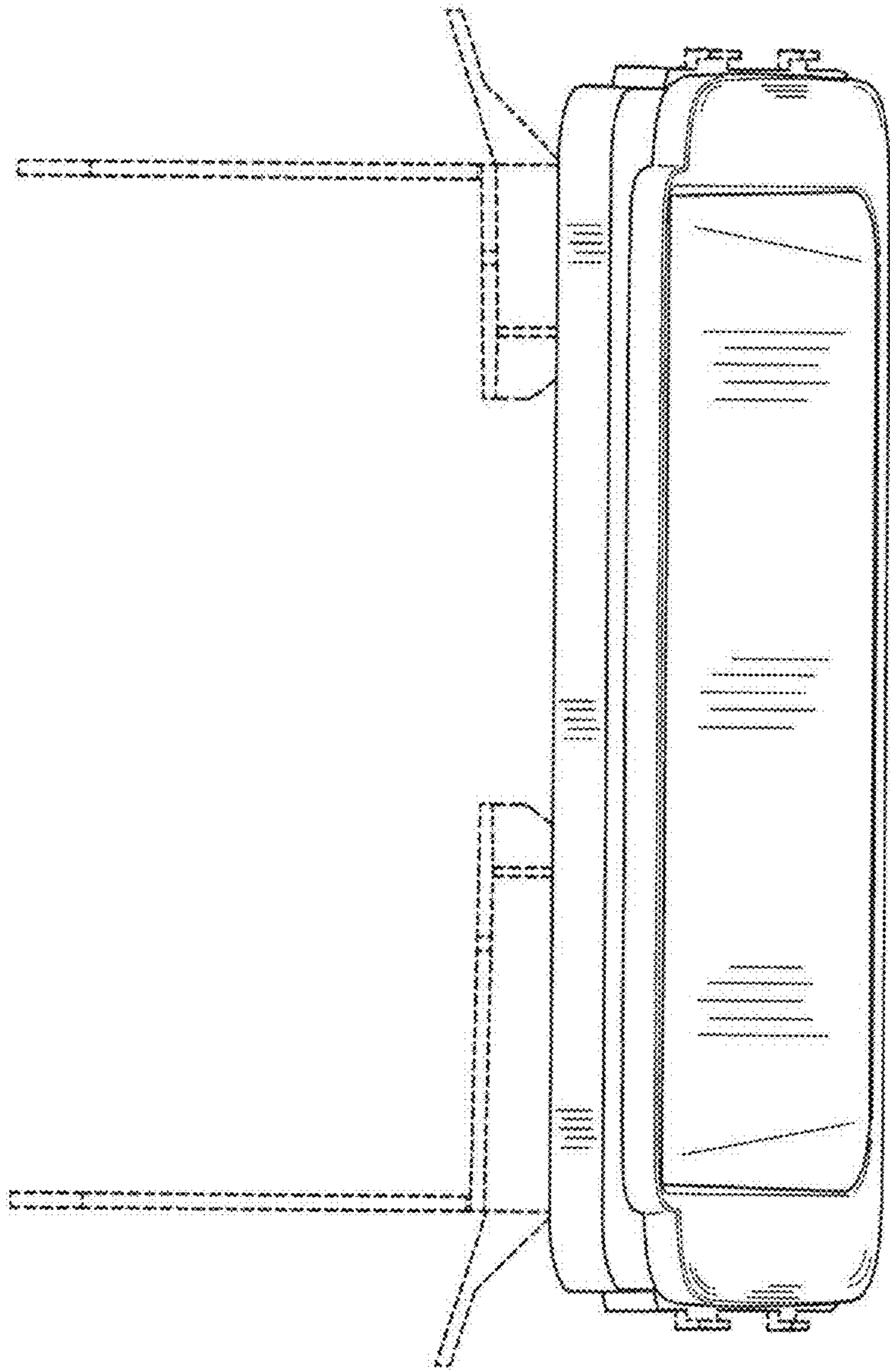


FIG. 6

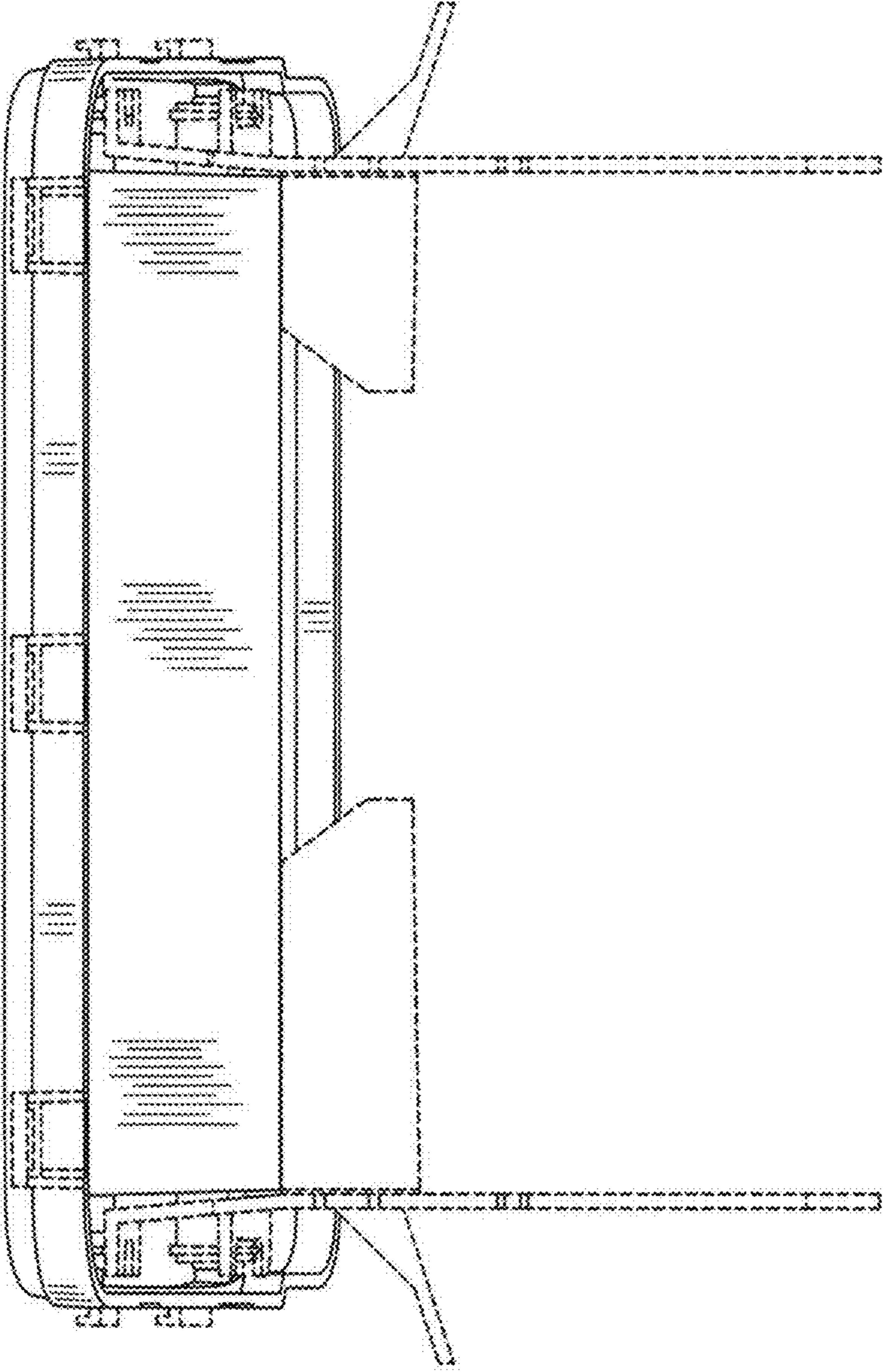


FIG. 7