



US00D757706S

(12) **United States Design Patent**
Taing

(10) **Patent No.:** **US D757,706 S**

(45) **Date of Patent:** **** May 31, 2016**

(54) **POD FOR A DEVICE**

(71) Applicant: **Susan Taing**, New York, NY (US)

(72) Inventor: **Susan Taing**, New York, NY (US)

(**) Term: **14 Years**

(21) Appl. No.: **29/484,984**

(22) Filed: **Mar. 14, 2014**

(51) **LOC (10) Cl.** **14-03**

(52) **U.S. Cl.**

USPC **D14/253**

(58) **Field of Classification Search**

USPC D14/251–253, 151, 130, 142, 144, 149,
D14/150, 155, 158, 159, 217, 226, 229, 240,
D14/307, 336, 399, 329; D21/517;
D13/107, 108, 168; D10/1–4, 15,
D10/23–27, 65; D8/349; D6/303, 310, 376,
D6/377; 379/88.17, 90.01, 93.17, 93.23,
379/387.01, 388.02, 419–420.04, 420.02,
379/428.01–428.04, 434–436, 440,
379/446–447, 454–455; 455/575.1; D19/88
CPC H04M 1/04; H04M 1/06; H04M 1/011;
F16M 11/04; F16M 11/041
See application file for complete search history.

(56) **References Cited**

U.S. PATENT DOCUMENTS

D217,688 S * 5/1970 Zimmerman D21/707
D282,970 S * 3/1986 Parkin D25/16
D309,199 S * 7/1990 McMahon D30/118
D315,644 S * 3/1991 White D6/344
D360,723 S * 7/1995 Kasai et al. D32/73
D388,839 S * 1/1998 Hsieh D21/419
D407,440 S * 3/1999 Vanlandingham, Jr. D19/88
D414,045 S * 9/1999 Morrow D6/347
D418,166 S * 12/1999 Dill D19/88
D427,590 S * 7/2000 Mou D14/253
D446,513 S * 8/2001 Mou D14/253
D456,351 S * 4/2002 Yoneda D13/108
D459,299 S * 6/2002 Hughes et al. D13/108

D460,971 S * 7/2002 Sica et al. D14/434
D462,321 S * 9/2002 Ullmann D13/108
D463,361 S * 9/2002 Ruohonen D13/108
D468,305 S * 1/2003 Ma et al. D14/253
D477,920 S * 8/2003 McCarty et al. D6/310
D478,073 S * 8/2003 Topinka D14/253
D483,016 S * 12/2003 Ma et al. D13/108
D488,836 S * 4/2004 Ghim D19/90
D497,725 S * 11/2004 Marmentini D6/347

(Continued)

OTHER PUBLICATIONS

OH730—China Mobile Phone Holder—D-Elf—Shenzhen Elf Digital Technology Co. hrgroupshining.en.made-in-china.com(online) 1 pg. Uploaded Dec. 11, 2011 [retrieved on Jun. 5, 2015]. Retrieved from Internet: <<http://hrgroupshining.en.made-in-china.com/product/joyJmRCOMDkN/China-Mobile-Phone-Holder-OH730-.html>>.*

(Continued)

Primary Examiner — Susan Bennett Hattan

Assistant Examiner — Marie Fast Horse

(74) *Attorney, Agent, or Firm* — Fish & Richarsson P.C.

(57) **CLAIM**

The ornamental design for a pod for a device, as shown and described.

DESCRIPTION

FIG. 1 is a front, top, and side perspective view of a pod for a device embodying our new design.

FIG. 2 is a front view thereof.

FIG. 3 is a back view thereof.

FIG. 4 is a right side view thereof.

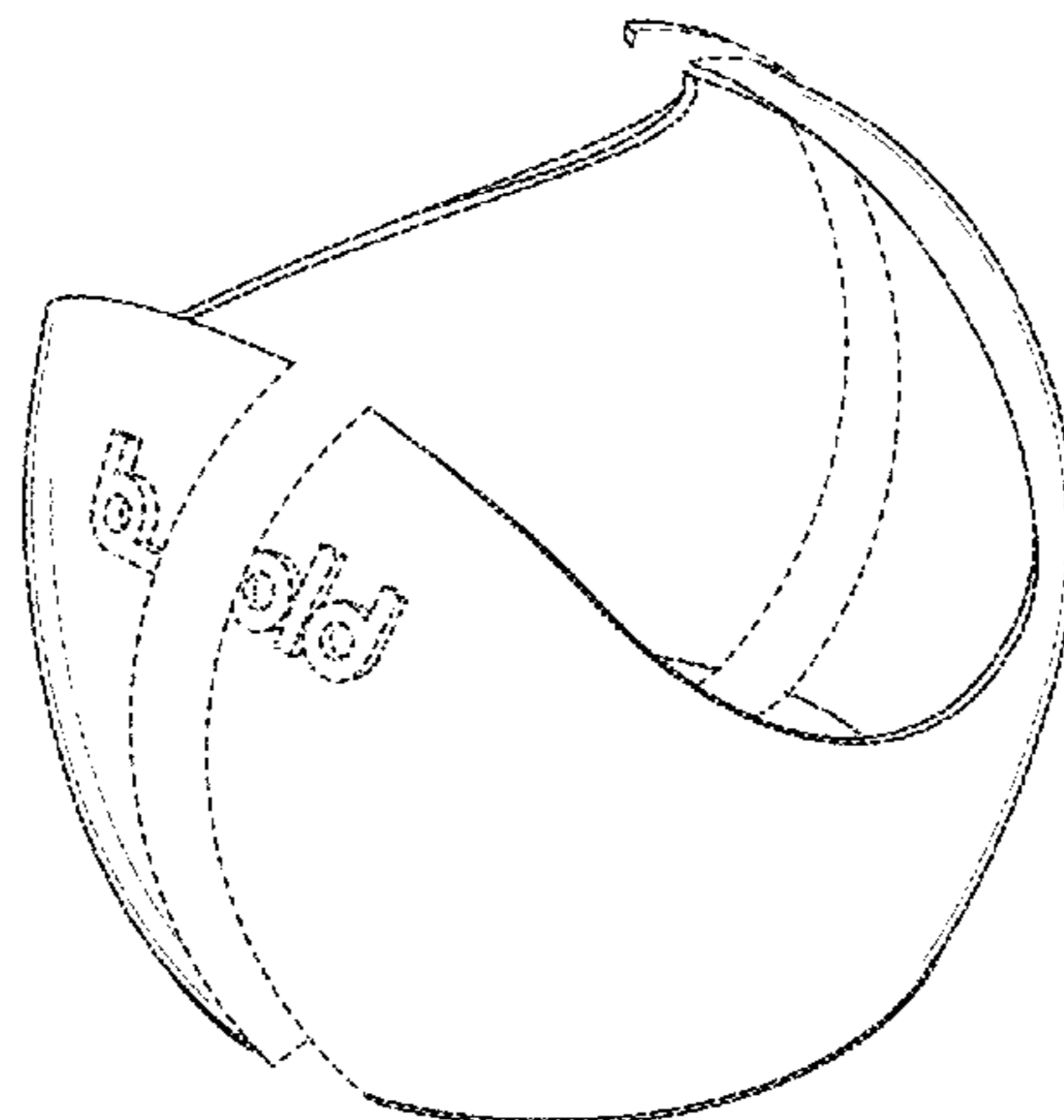
FIG. 5 is a left side view thereof.

FIG. 6 is a top view thereof; and,

FIG. 7 is a bottom view thereof.

The broken lines that cut through the middle of the pod for a device depict break-away lines and form no part of the claimed design.

1 Claim, 4 Drawing Sheets



(56)

References Cited

U.S. PATENT DOCUMENTS

D501,887 S * 2/2005 Lee D19/90
 D507,305 S * 7/2005 Dill D19/90
 D510,208 S * 10/2005 Klimas D6/682
 D511,492 S * 11/2005 Allende Fritsch D13/108
 D516,025 S * 2/2006 Quinn D13/108
 D523,809 S * 6/2006 Roth et al. D13/108
 D525,583 S * 7/2006 Vu D13/108
 D532,746 S * 11/2006 Meyers et al. D13/108
 D535,969 S * 1/2007 Haney D14/148
 D547,319 S * 7/2007 Chang D14/454
 D557,259 S * 12/2007 Hirsch D14/217
 D558,193 S * 12/2007 Ju D14/253
 D591,064 S * 4/2009 Lee et al. D6/334
 D600,680 S * 9/2009 Mead et al. D14/217
 D605,306 S * 12/2009 Arnell D25/31
 D605,875 S * 12/2009 Buzzard et al. D6/682
 D607,458 S * 1/2010 Hui et al. D14/434
 D615,491 S * 5/2010 Emminger D13/108
 D625,833 S * 10/2010 Flanagan D25/21
 D640,248 S * 6/2011 Baumann et al. D14/253
 D644,076 S * 8/2011 Moman D8/38
 D644,077 S * 8/2011 Moman D8/38

D654,921 S * 2/2012 Malsan D14/447
 D657,505 S * 4/2012 Viola D30/160
 D659,696 S * 5/2012 Lanza D14/447
 D666,204 S * 8/2012 Han D14/447
 D674,148 S * 1/2013 Brown D29/114
 D696,734 S * 12/2013 Matsushita D21/662
 D701,831 S * 4/2014 Park et al. D13/108
 D706,046 S * 6/2014 Habiche D6/361
 D707,624 S * 6/2014 Morrison et al. D13/108
 D711,366 S * 8/2014 Lui et al. D14/253
 D720,148 S * 12/2014 Urquiola D6/369
 D720,564 S * 1/2015 Buller D6/682
 D721,033 S * 1/2015 Fujioka D13/108

OTHER PUBLICATIONS

Nexus 4 Dock Sphere. thingiverse.com (online) 5 pgs. Uploaded Jan. 27, 2013 [retrieved on Jun. 4, 2015]. Retrieved from Internet: <<http://www.thingiverse.com/thing:44773>>.*
 Nice decorate mobile phone—OH730—D-Elf. phone_decoration.china-direct-buy.com(online) 4 pgs. Uploaded: as early as Aug. 1, 2011 [retrieved on Jun. 5, 2015]. Retrieved from Internet: <http://phone_decoration.china-direct-buy.com/v/4/product_detail/7935637/nice_decorate_mobile_phone_stand.html>.*

* cited by examiner

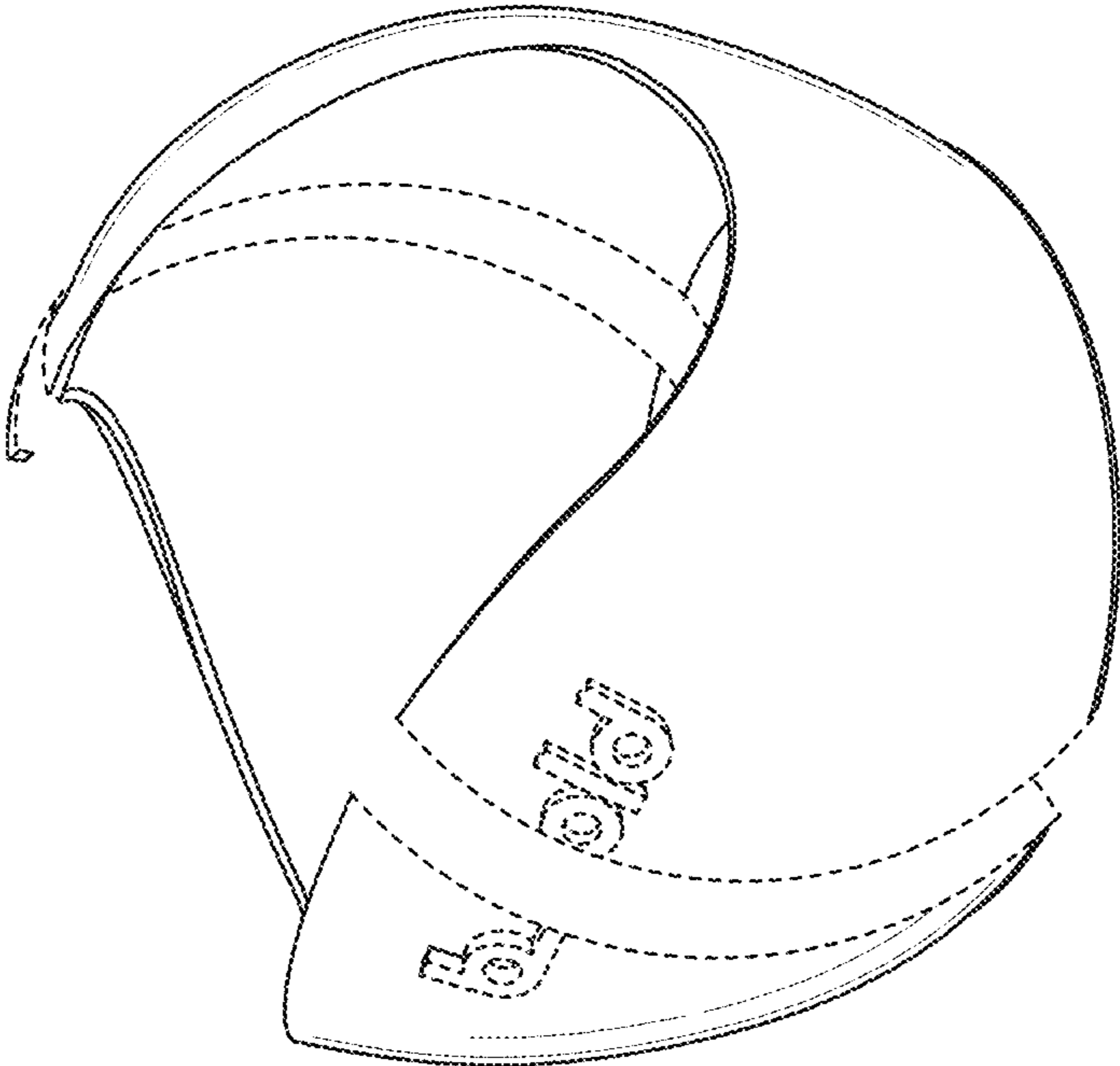


FIG. 1

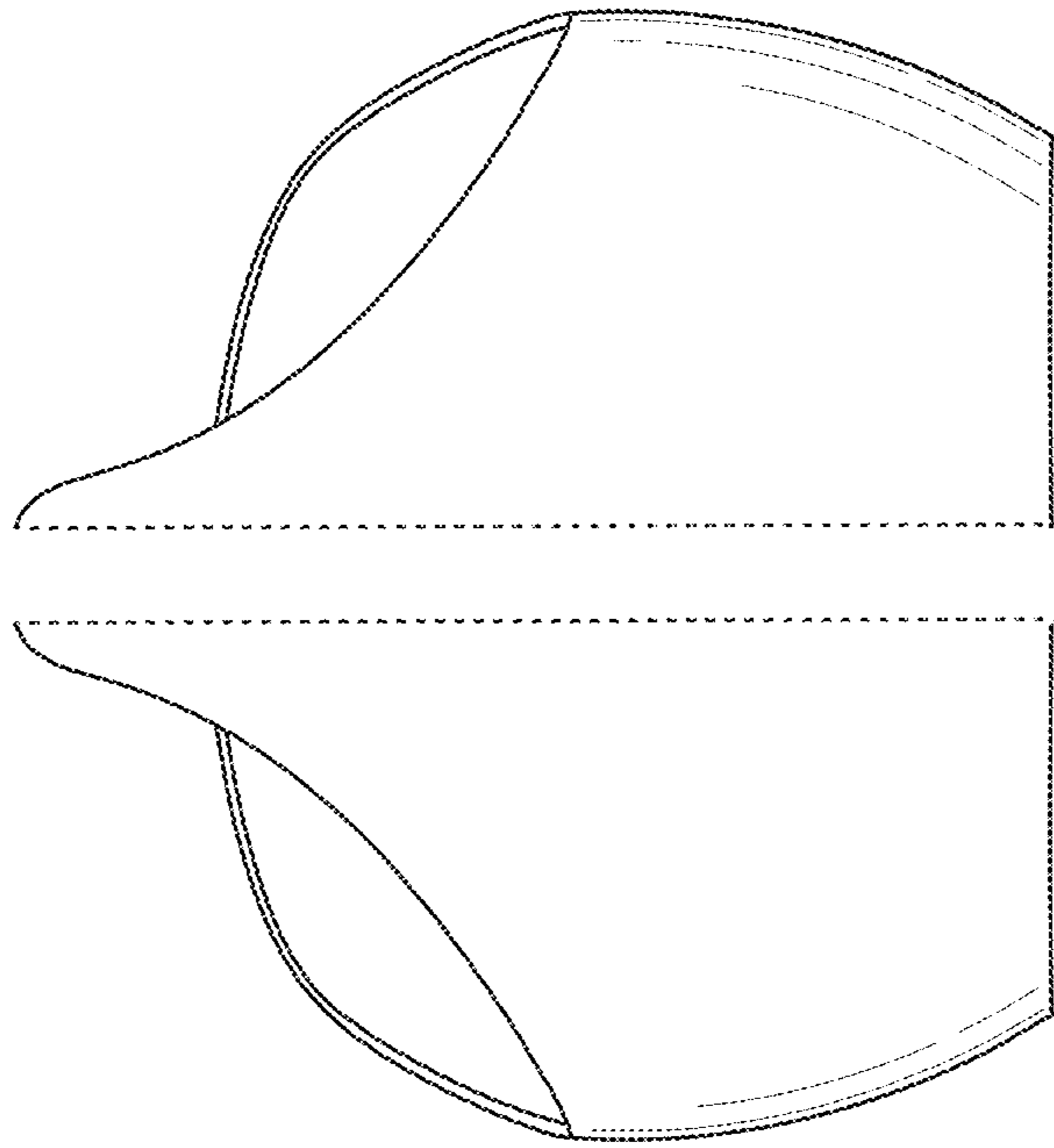


FIG. 3

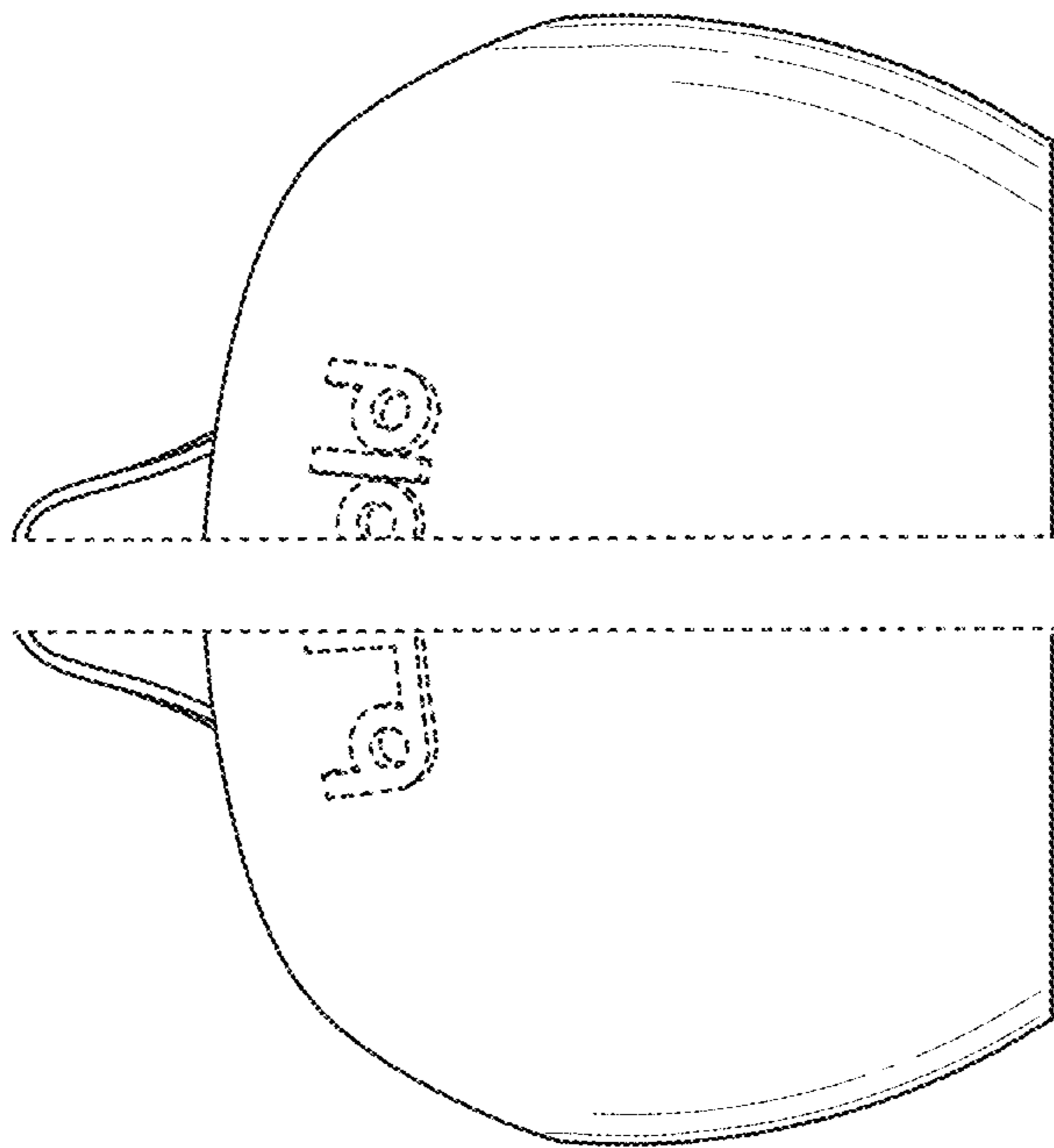


FIG. 2

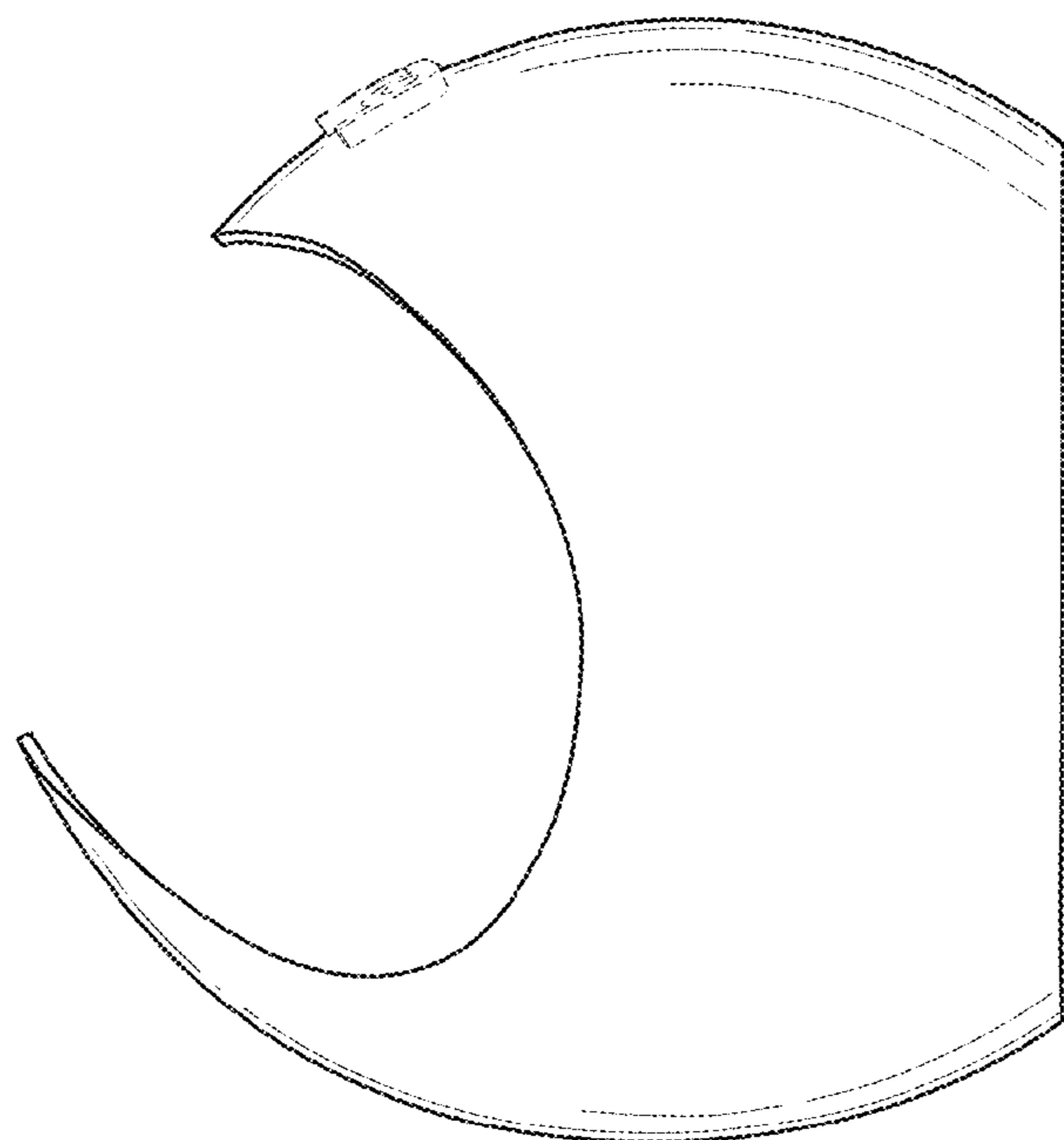


FIG. 5

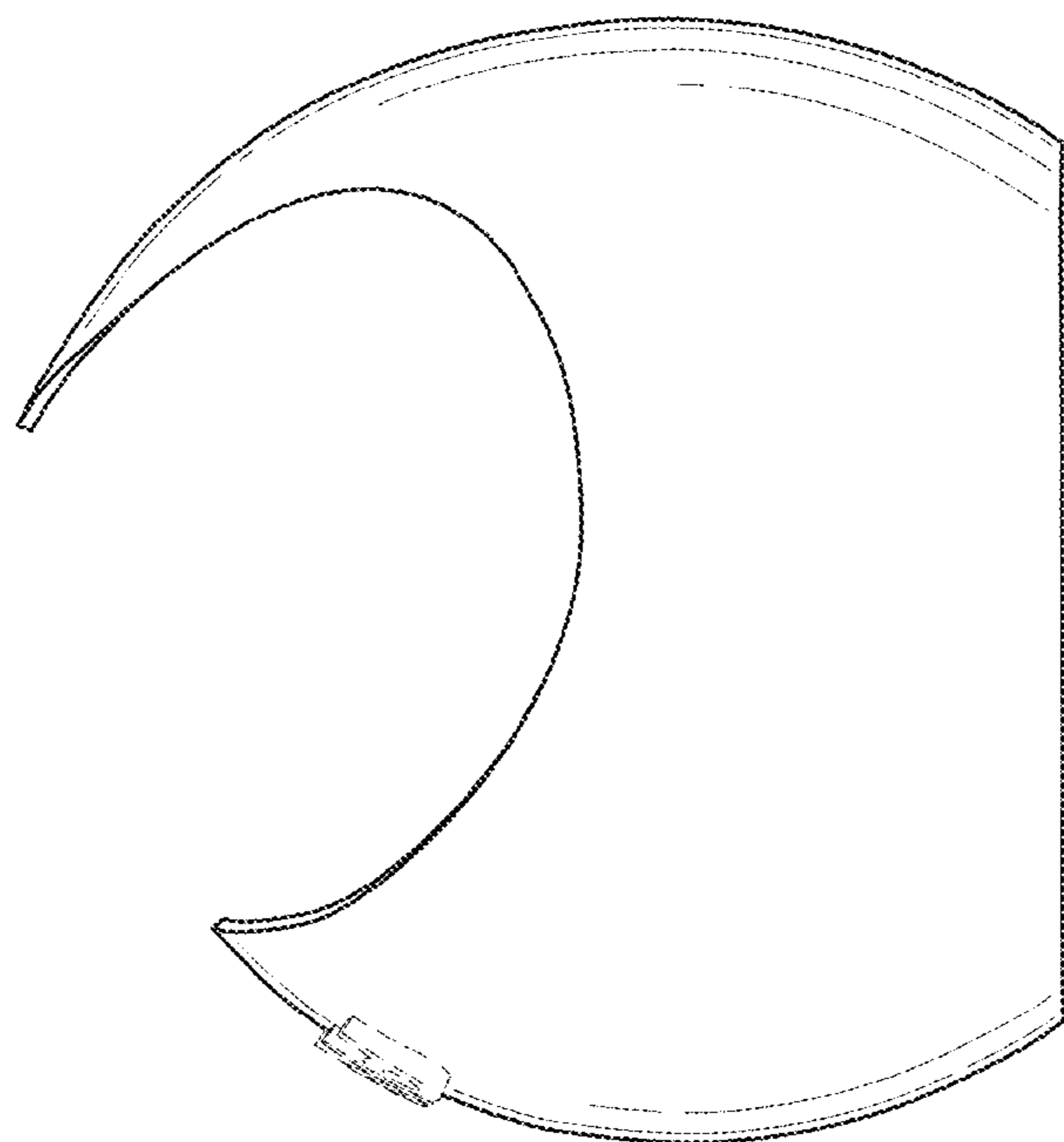


FIG. 4

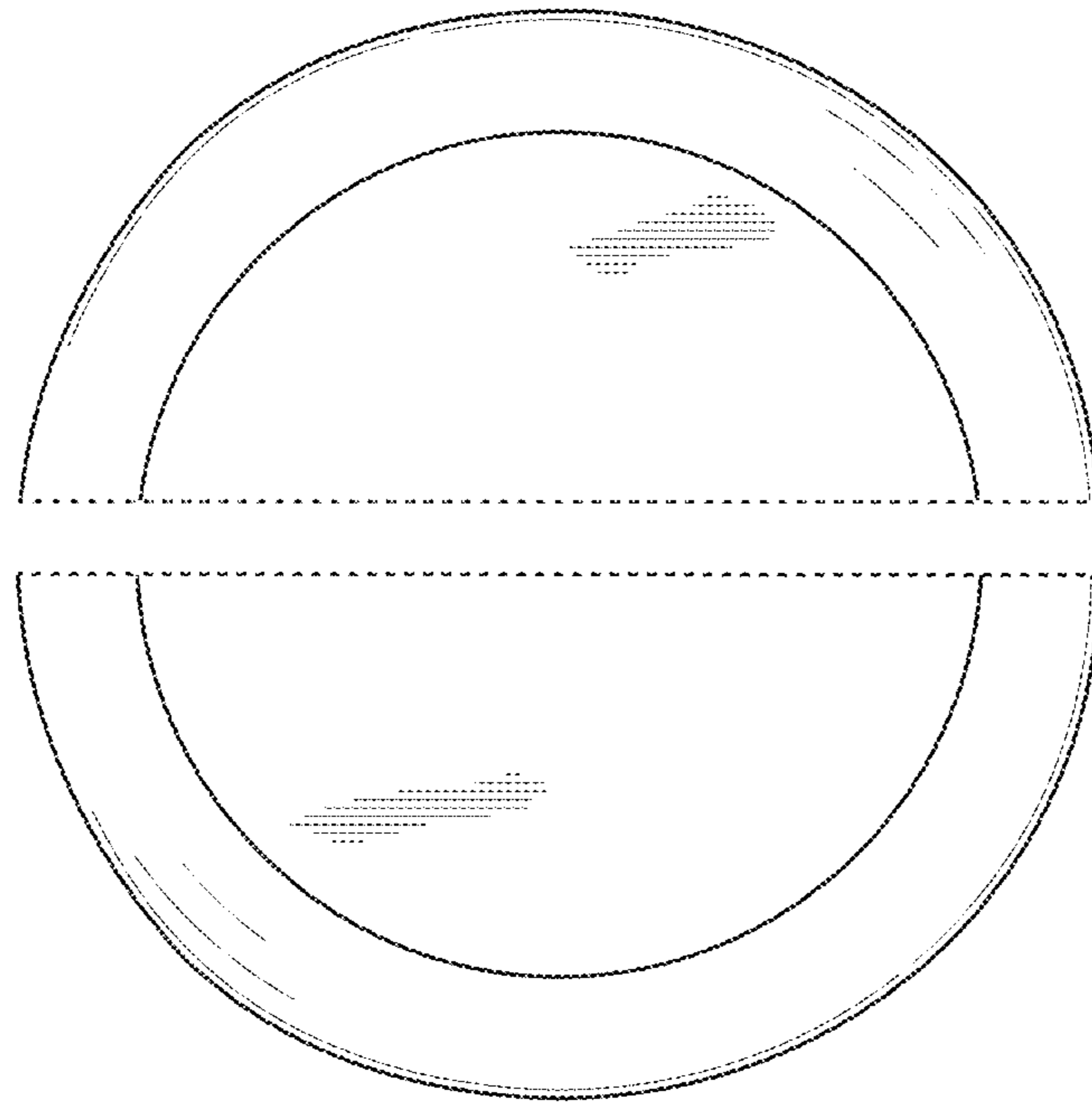


FIG. 7

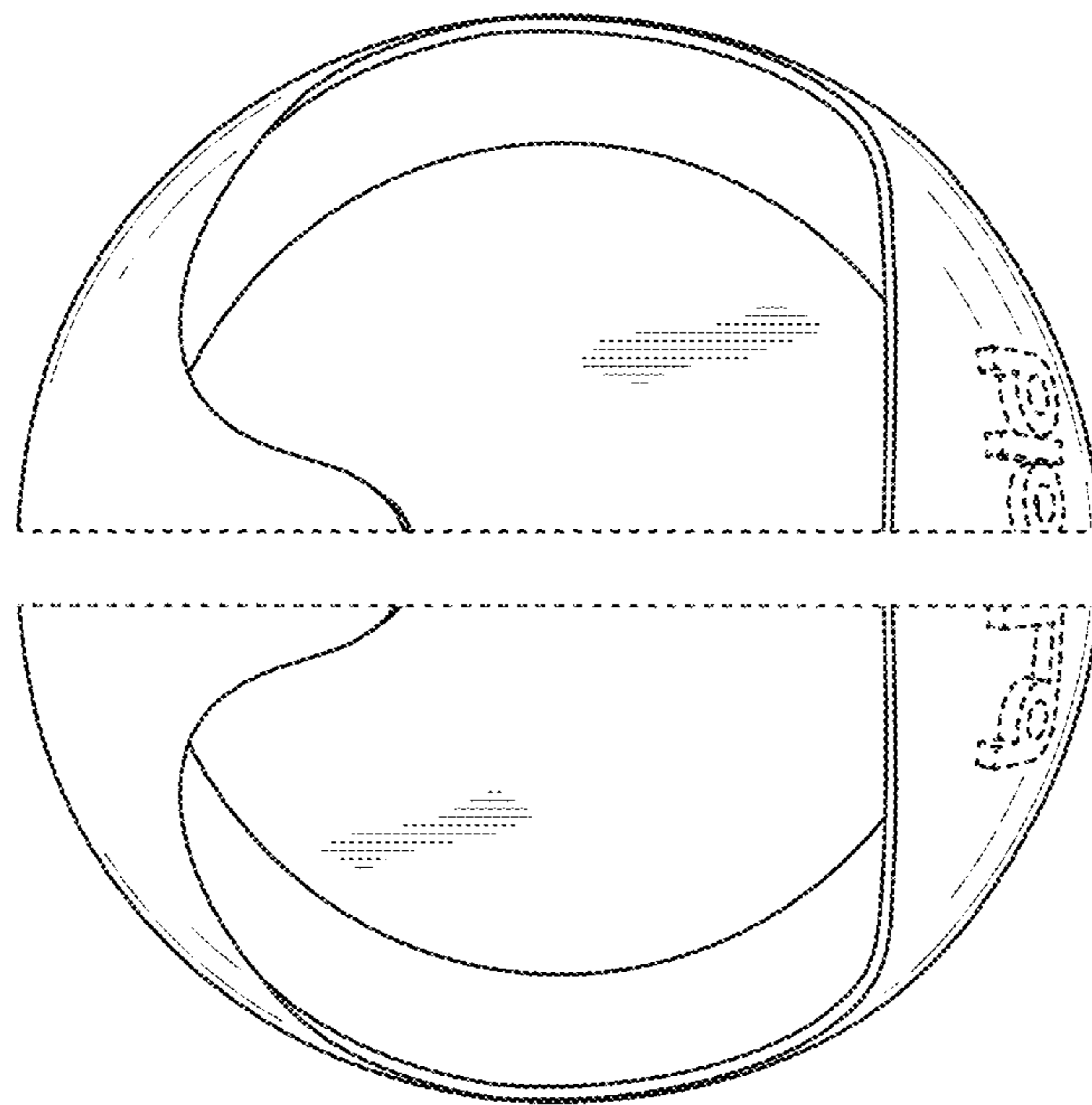


FIG. 6