



US00D757705S

(12) **United States Design Patent**
Esses

(10) **Patent No.:** **US D757,705 S**
(45) **Date of Patent:** **** May 31, 2016**

(54) **MOBILE DEVICE HOLDER WITH AIR FRESHENER**

(71) Applicant: **Alfred Esses**, Brooklyn, NY (US)

(72) Inventor: **Alfred Esses**, Brooklyn, NY (US)

(73) Assignee: **Alfred Esses**, Brooklyn, NY (US)

(**) Term: **14 Years**

(21) Appl. No.: **29/499,842**

(22) Filed: **Aug. 19, 2014**

(51) **LOC (10) Cl.** **14-03**

(52) **U.S. Cl.**
USPC **D14/251**

(58) **Field of Classification Search**
USPC D12/415; D14/140, 142, 203.8, 217,
D14/251, 252, 253, 256, 432, 433, 434, 447,
D14/451; 239/6, 8; 248/176.1, 451;
348/373, 376; 361/679.09, 679.21,
361/679.26, 679.3, 679.55, 679.56;
455/575.1, 575.9

See application file for complete search history.

(56) **References Cited**

U.S. PATENT DOCUMENTS

| | | | |
|--------------|---------|-----------|---------|
| 6,099,137 A | 8/2000 | McCormack | |
| D690,707 S * | 10/2013 | Minn | D14/447 |
| D716,215 S * | 10/2014 | Dunn | D12/415 |
| D720,759 S * | 1/2015 | Deng | D14/447 |
| D733,115 S * | 6/2015 | Aspinall | D14/253 |
| D735,112 S * | 7/2015 | Deng | D12/415 |

FOREIGN PATENT DOCUMENTS

| | | |
|----|-------------|--------|
| CN | 200947724 Y | 9/2007 |
| CN | 202950996 U | 5/2013 |
| GB | 2292271 A | 2/1996 |

OTHER PUBLICATIONS

<http://terrywhite.com/i-found-the-perfect-smartphone-car-mount/>
Posted Jun. 28, 2013.*

* cited by examiner

Primary Examiner — Susan Bennett Hattan
Assistant Examiner — Leanne Was

(74) *Attorney, Agent, or Firm* — Morritt Hock & Hamroff
LLP; Steven S. Rubin, Esq.

(57) **CLAIM**

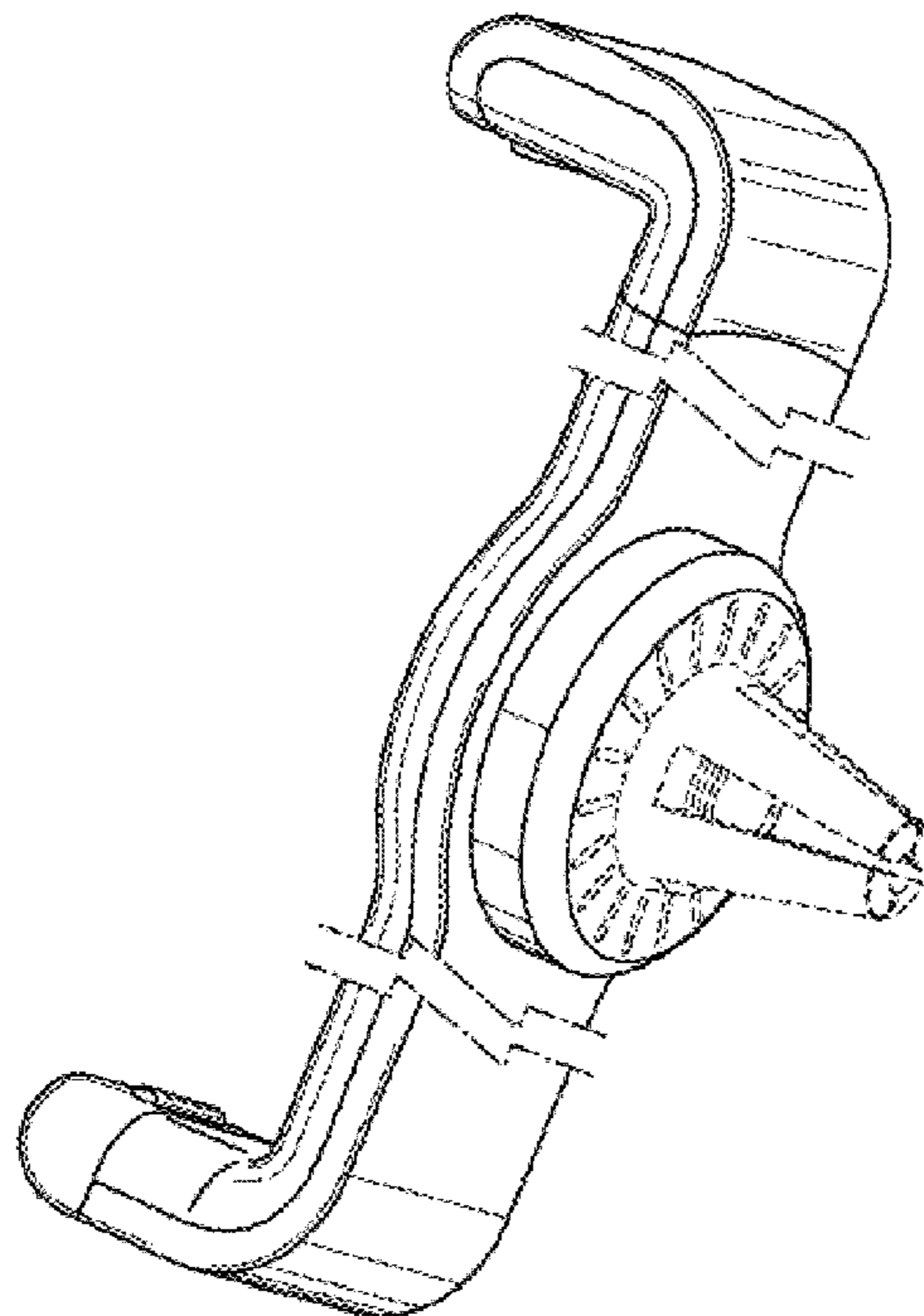
The ornamental design for a mobile device holder with air freshener, as shown and described.

DESCRIPTION

FIG. 1 is a side isometric view of a mobile device holder with air freshener;
FIG. 2 is a rear perspective view thereof;
FIG. 3 is a left side perspective view thereof;
FIG. 4 is a front perspective view thereof;
FIG. 5 is a right perspective view thereof;
FIG. 6 is a top perspective view thereof; and,
FIG. 7 is a bottom perspective view thereof.

The dash-dash-dash lines depict unclaimed environment. The dash-dash-dash lines and regions bounded by the dash-dash-dash lines form no part of the claimed design. The unevenly spaced dashed break lines in the drawings depict the boundaries of the Claim. The portion between the break lines forms no part of the claimed design.

1 Claim, 4 Drawing Sheets



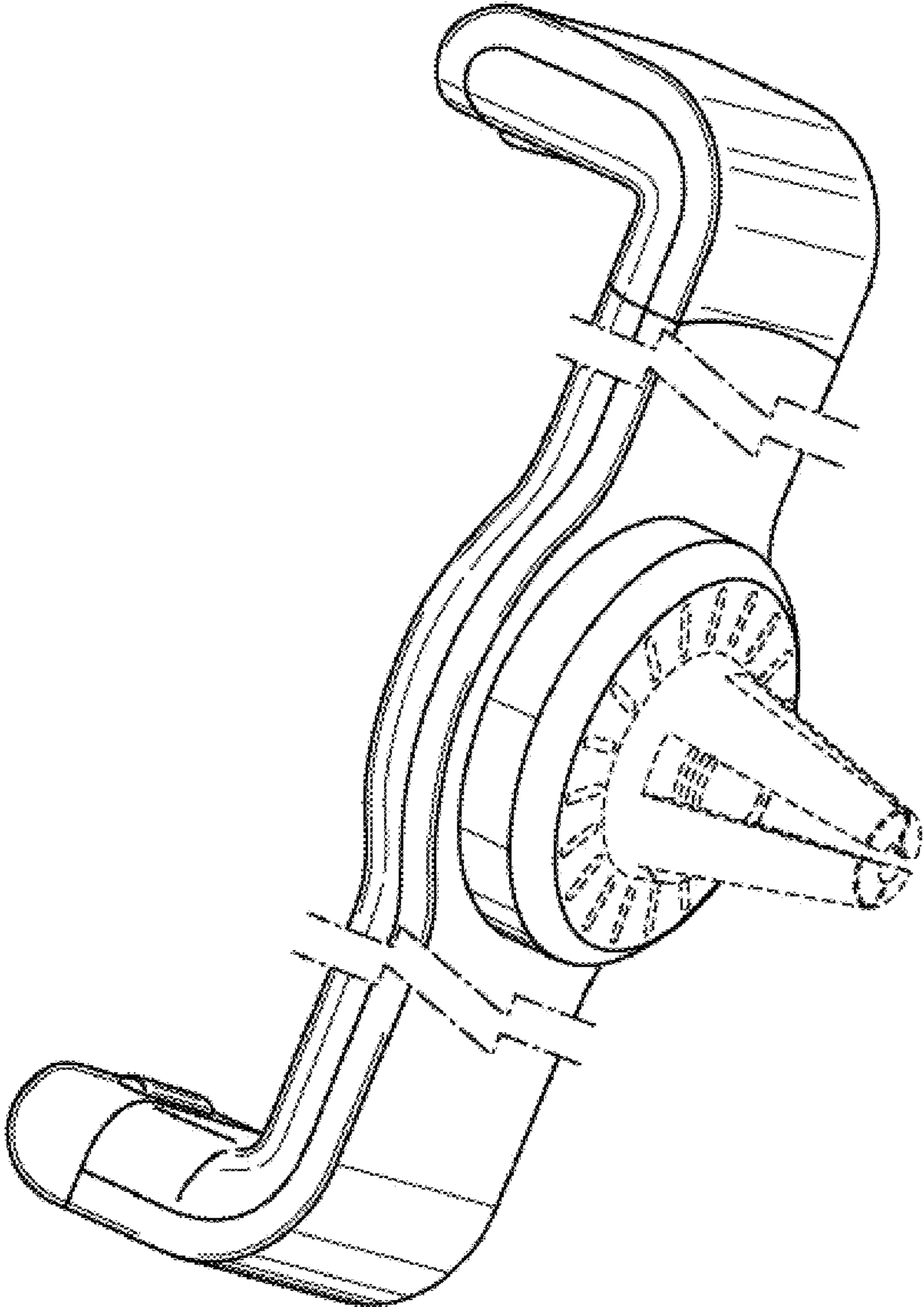


FIG. 1

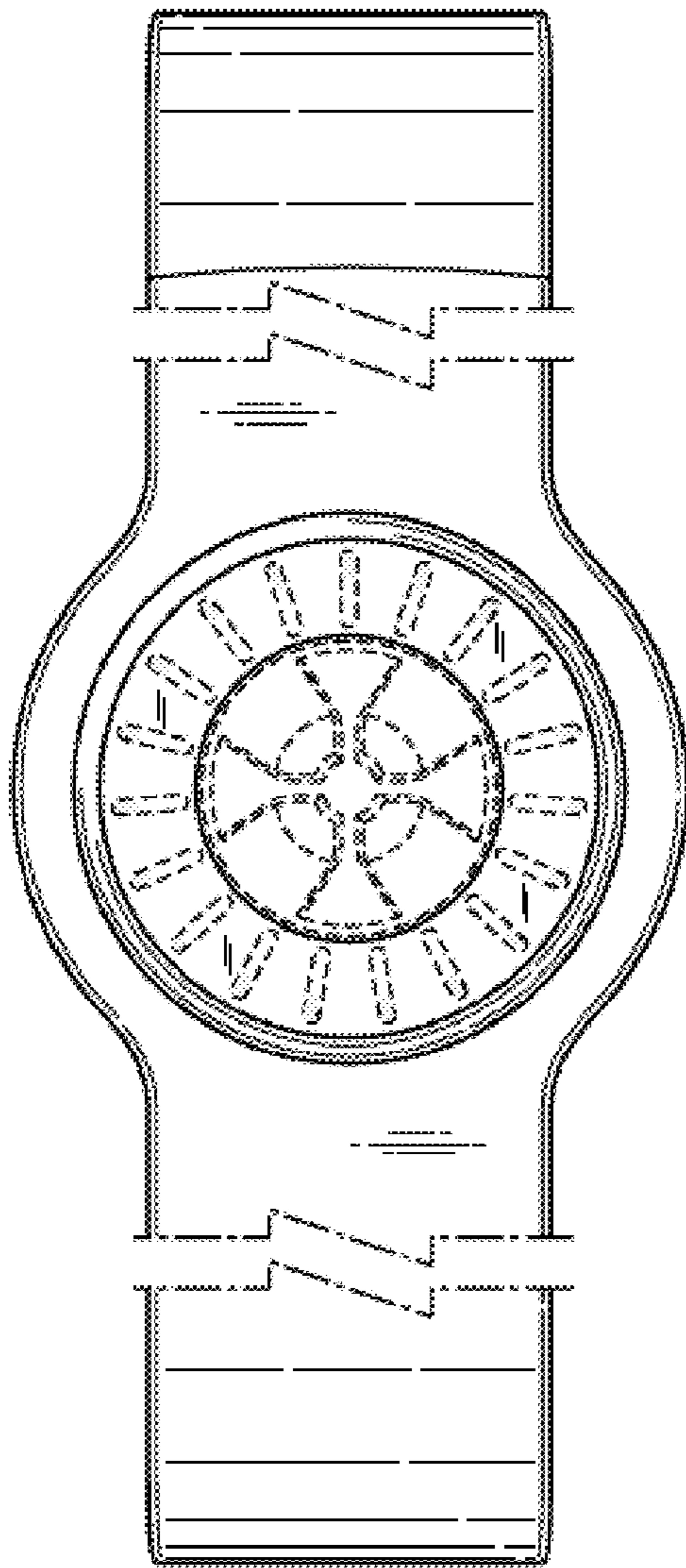


FIG. 2

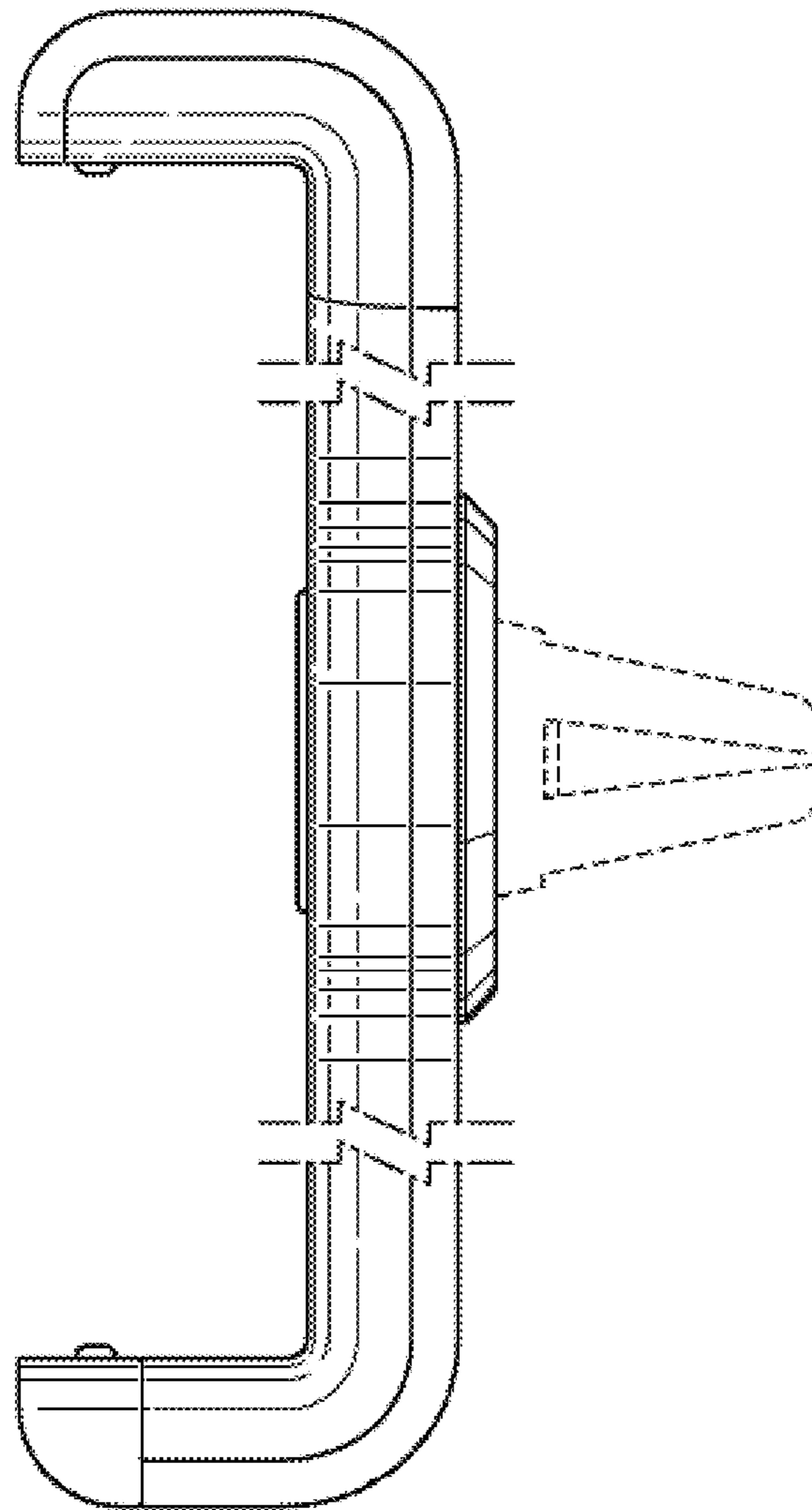


FIG. 3

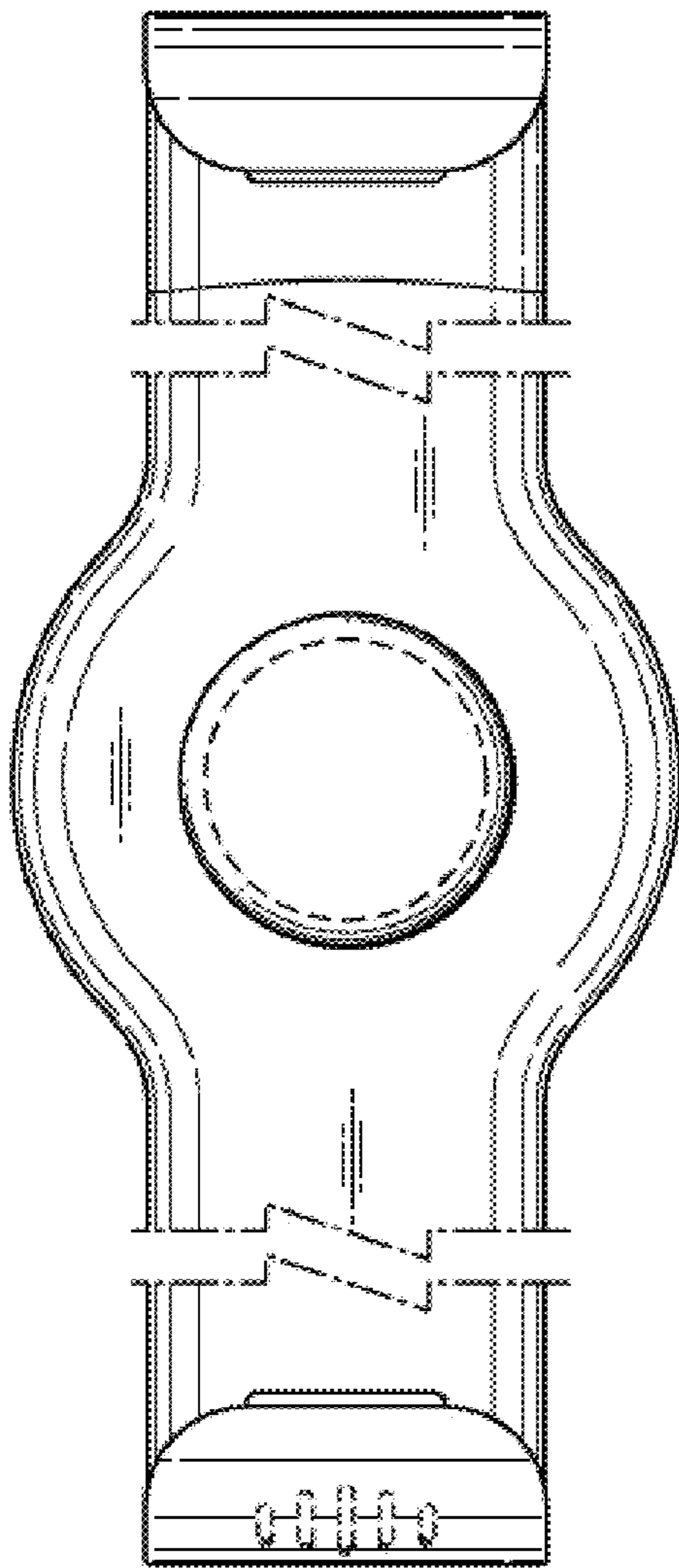


FIG. 4

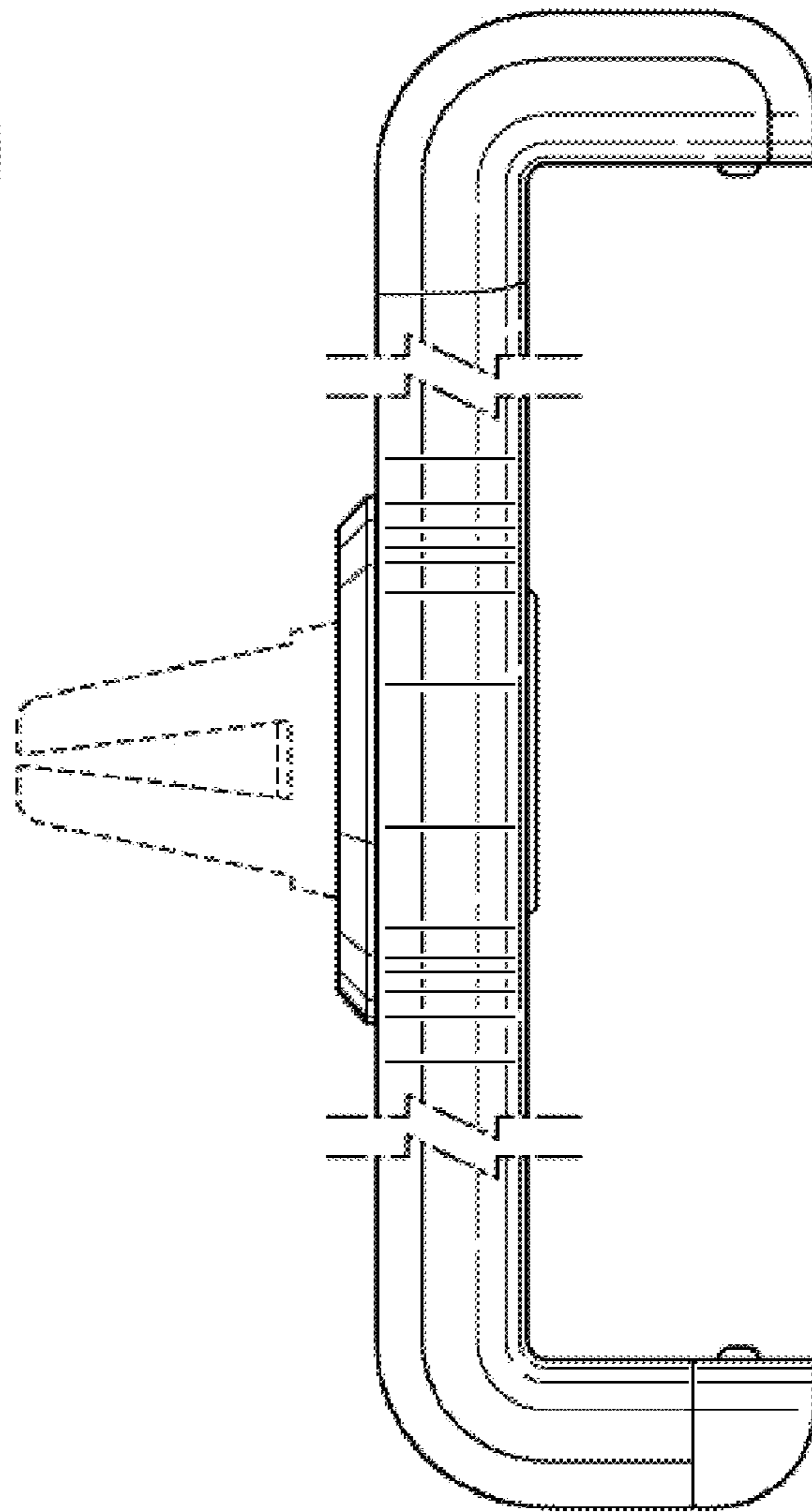


FIG. 5

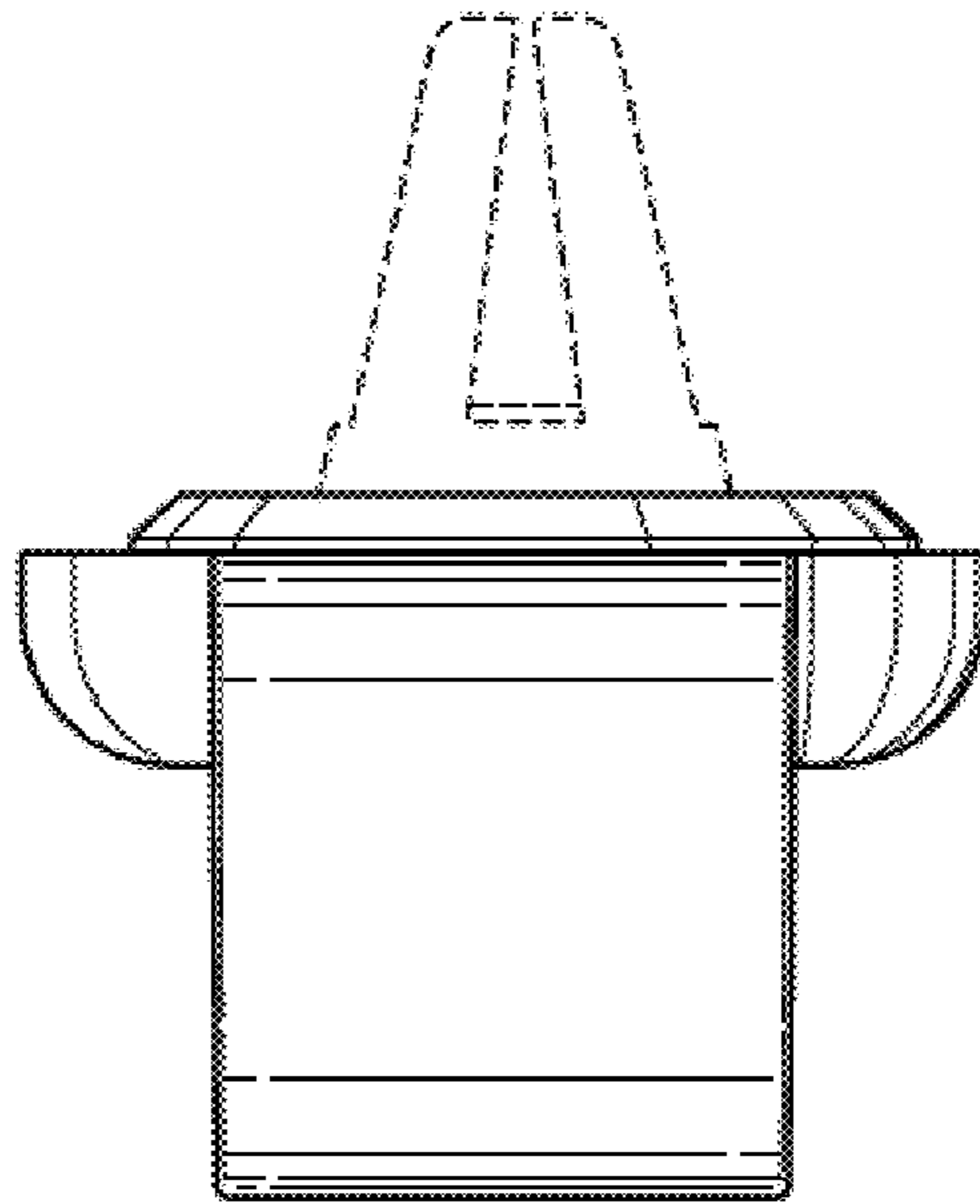


FIG. 6

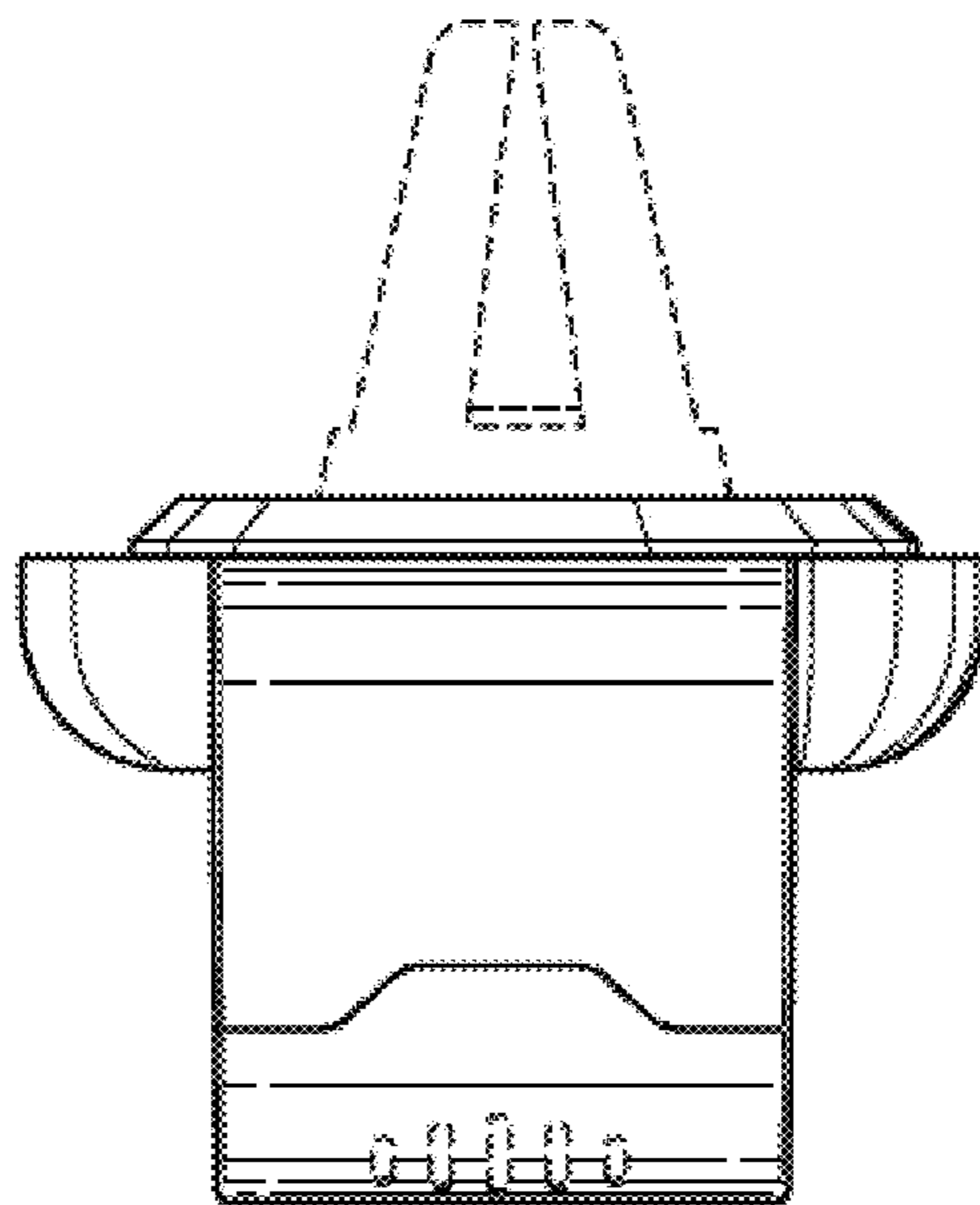


FIG. 7