

US00D757703S

(12) **United States Design Patent**
Kanazawa

(10) **Patent No.:** **US D757,703 S**
(45) **Date of Patent:** **** May 31, 2016**

(54) **SMARTPHONE CASE**
(71) Applicant: **GBS Co., Ltd.**, Tokyo (JP)
(72) Inventor: **Futa Kanazawa**, Tokyo (JP)
(73) Assignee: **GBS CO., LTD.**, Tokyo (JP)
(**) Term: **14 Years**

D703,654 S * 4/2014 Melanson D14/250
D703,655 S * 4/2014 Melanson D14/250
D714,276 S * 9/2014 Hu D14/250
D718,291 S * 11/2014 Hong D14/250
D719,559 S * 12/2014 Dukerschein D14/250
D720,341 S * 12/2014 Sharudenko D14/250
D721,360 S * 1/2015 Laffon De Mazieres D14/250
D740,798 S * 10/2015 Poon D14/250
D743,389 S * 11/2015 Akana D14/250
D746,273 S * 12/2015 Herbst D14/250

(Continued)

(21) Appl. No.: **29/498,933**
(22) Filed: **Aug. 8, 2014**

(30) **Foreign Application Priority Data**

Feb. 10, 2014 (JP) 2014-023052
Jul. 7, 2014 (JP) 2014-014874

(51) **LOC (10) Cl.** **14-03**
(52) **U.S. Cl.**
USPC **D14/250**

(58) **Field of Classification Search**
USPC D14/238.1, 250, 440, 203.3–203.7, 217,
D14/240, 248, 251–253, 447, 496, 143, 189,
D14/203.2; D3/201, 218, 247, 269, 273,
D3/301, 303; D13/103, 107–108, 119
CPC A45C 1/06; A45C 11/00; A45C 13/02;
A45C 2011/002; A45F 2005/026; A45F
2200/0525; A45F 2200/0516; H04B 1/3888;
H04M 1/0283; H04M 1/0202
See application file for complete search history.

(56) **References Cited**

U.S. PATENT DOCUMENTS

D574,819 S * 8/2008 Andre D3/269
D619,361 S * 7/2010 Andre D3/269
D622,716 S * 8/2010 Andre D14/250
D623,180 S * 9/2010 Diebel D14/250
D626,539 S * 11/2010 Brown D14/250
D669,458 S * 10/2012 Wilson D14/250
D675,198 S * 1/2013 Andre D14/250

FOREIGN PATENT DOCUMENTS

JP D1473797 * 7/2013

Primary Examiner — Carla Jobe Wright

(74) *Attorney, Agent, or Firm* — Muncy, Geissler, Olds & Lowe, P.C.

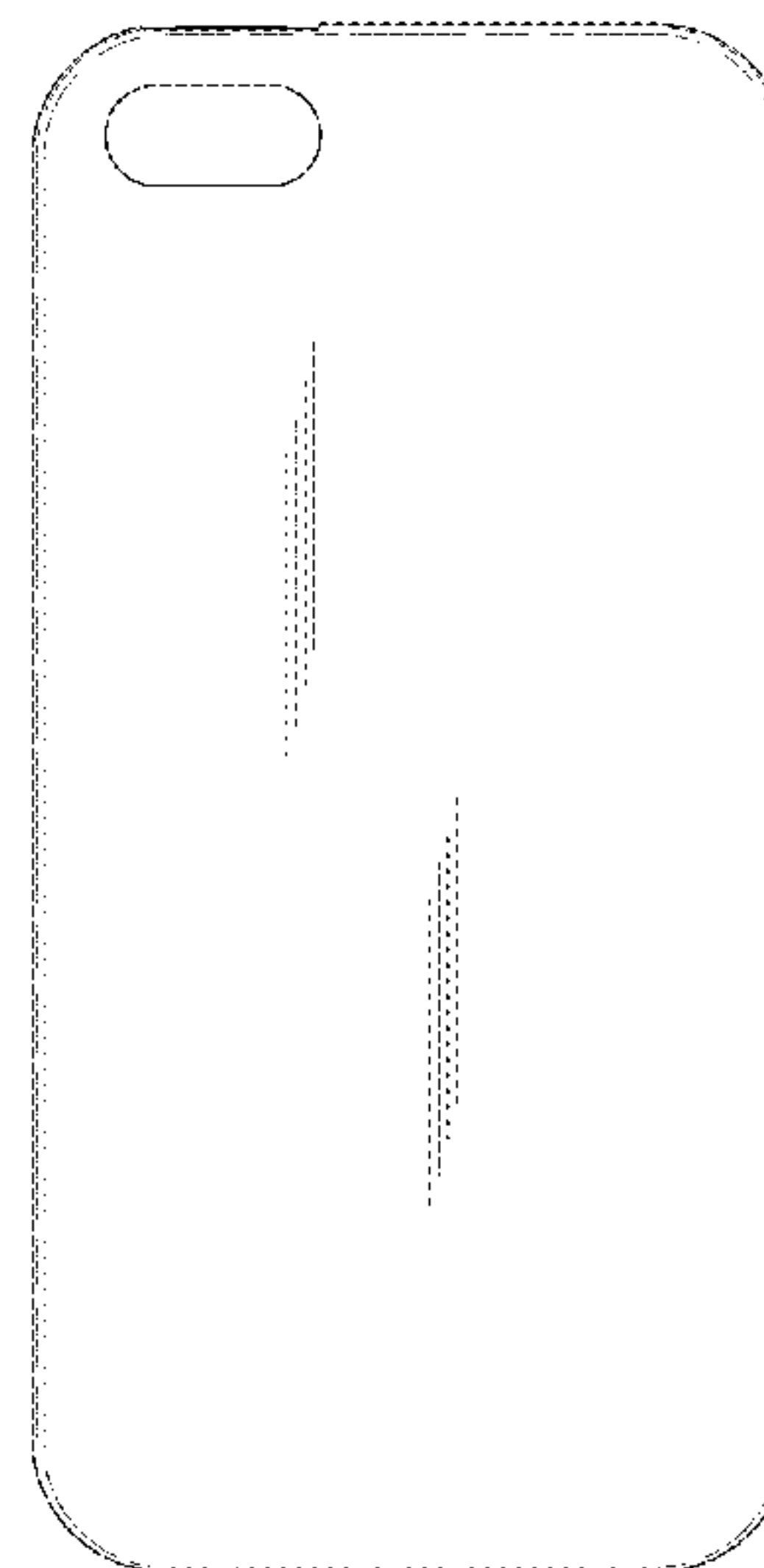
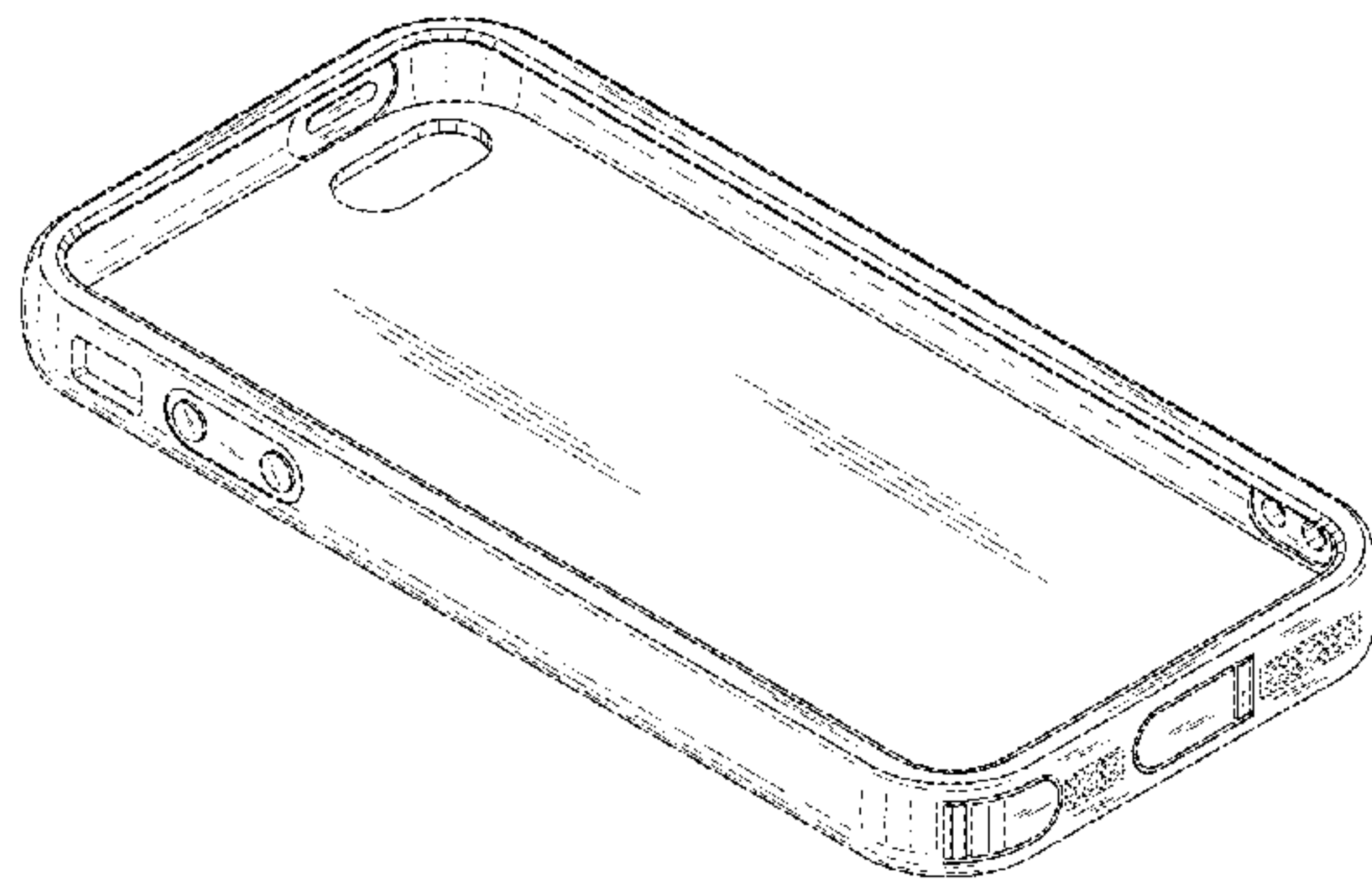
(57) **CLAIM**

The ornamental design for a smartphone case, as shown and described.

DESCRIPTION

FIG. 1 is a front, right, and bottom perspective view of a smartphone case showing my new design;
FIG. 2 is a front, left, and bottom perspective view thereof;
FIG. 3 is a front, right, and bottom perspective view thereof, in which cover portions on the bottom side are open;
FIG. 4 is a front, left, and bottom perspective view thereof, in which cover portions on the bottom side are open;
FIG. 5 is a front elevational view thereof;
FIG. 6 is a rear elevational view thereof;
FIG. 7 is left side view thereof;
FIG. 8 is right side view thereof;
FIG. 9 is a top plan view thereof; and,
FIG. 10 is a bottom plan view thereof.
The broken line showing is for the purpose of illustrating portions of the article which form no part of the claimed design.

1 Claim, 10 Drawing Sheets



US D757,703 S

Page 2

(56)

References Cited

U.S. PATENT DOCUMENTS

2011/0095033 A1*	4/2011	Hung	A45C 11/00	220/602
2011/0309728 A1*	12/2011	Diebel	H04B 1/3888	312/293.1
2013/0257240 A1*	10/2013	Hong	H04B 1/3888	312/223.1
2014/0110275 A1*	4/2014	Wu	A45C 11/00	206/37

* cited by examiner

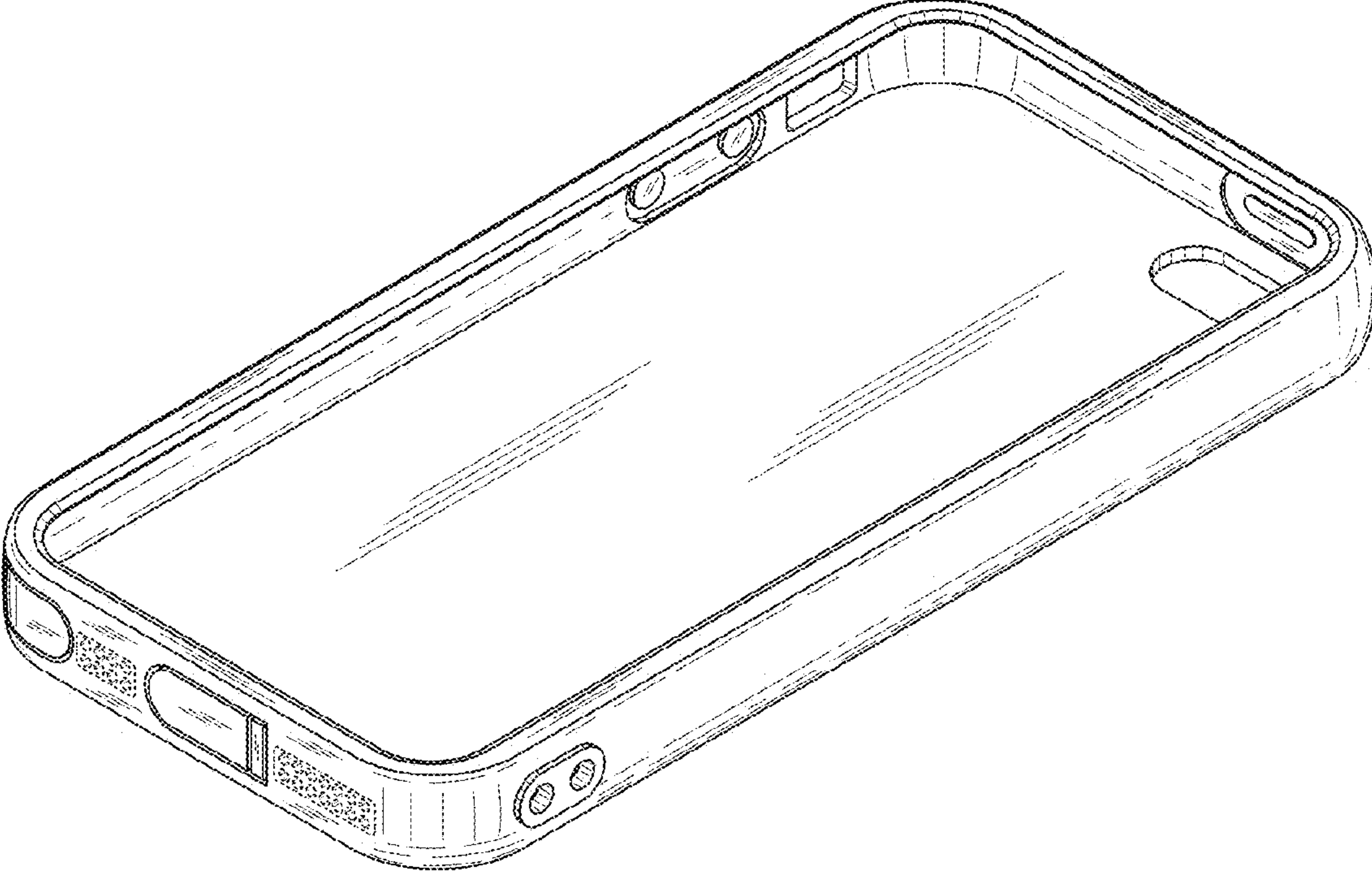


FIG.1

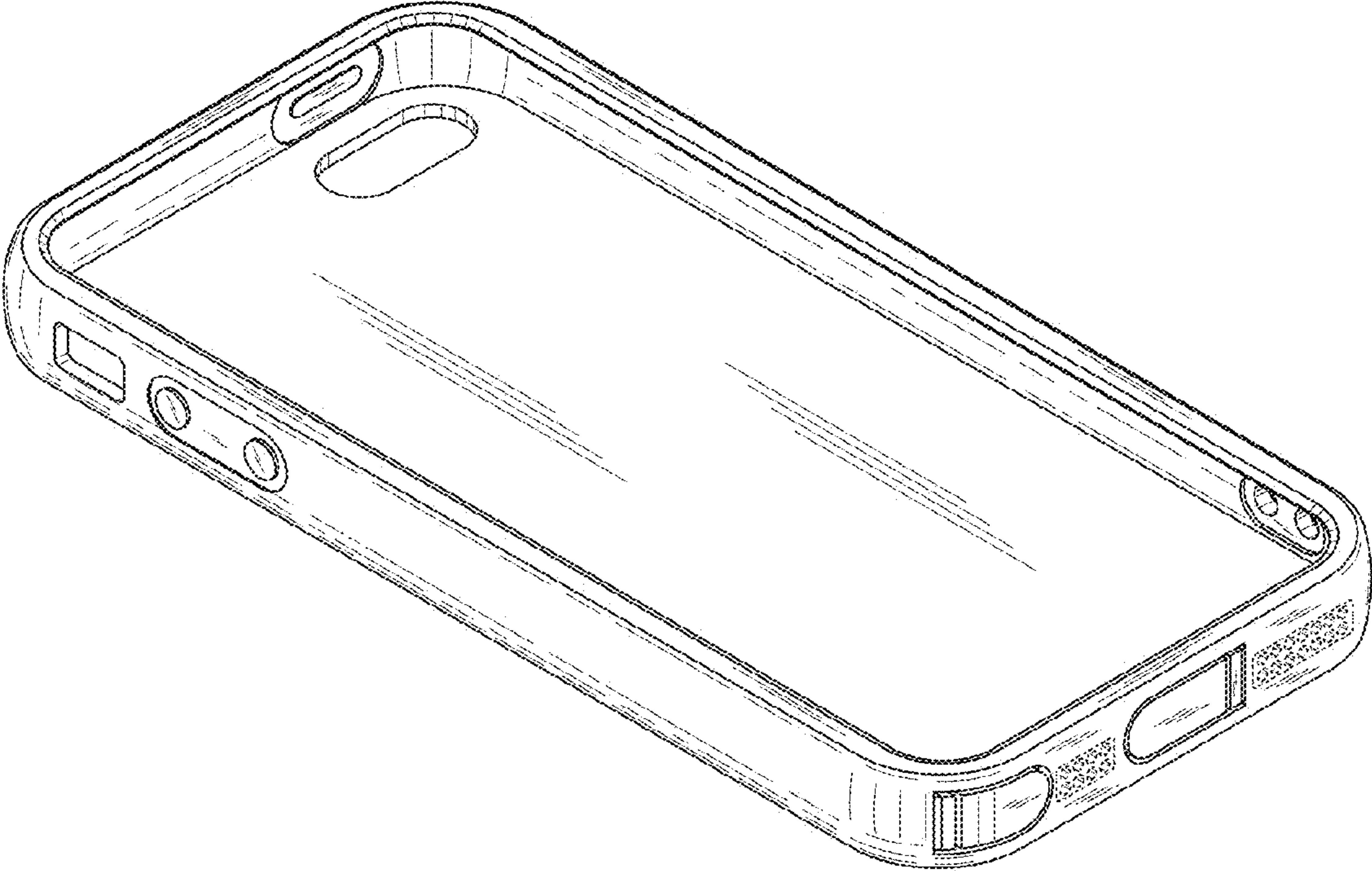


FIG.2

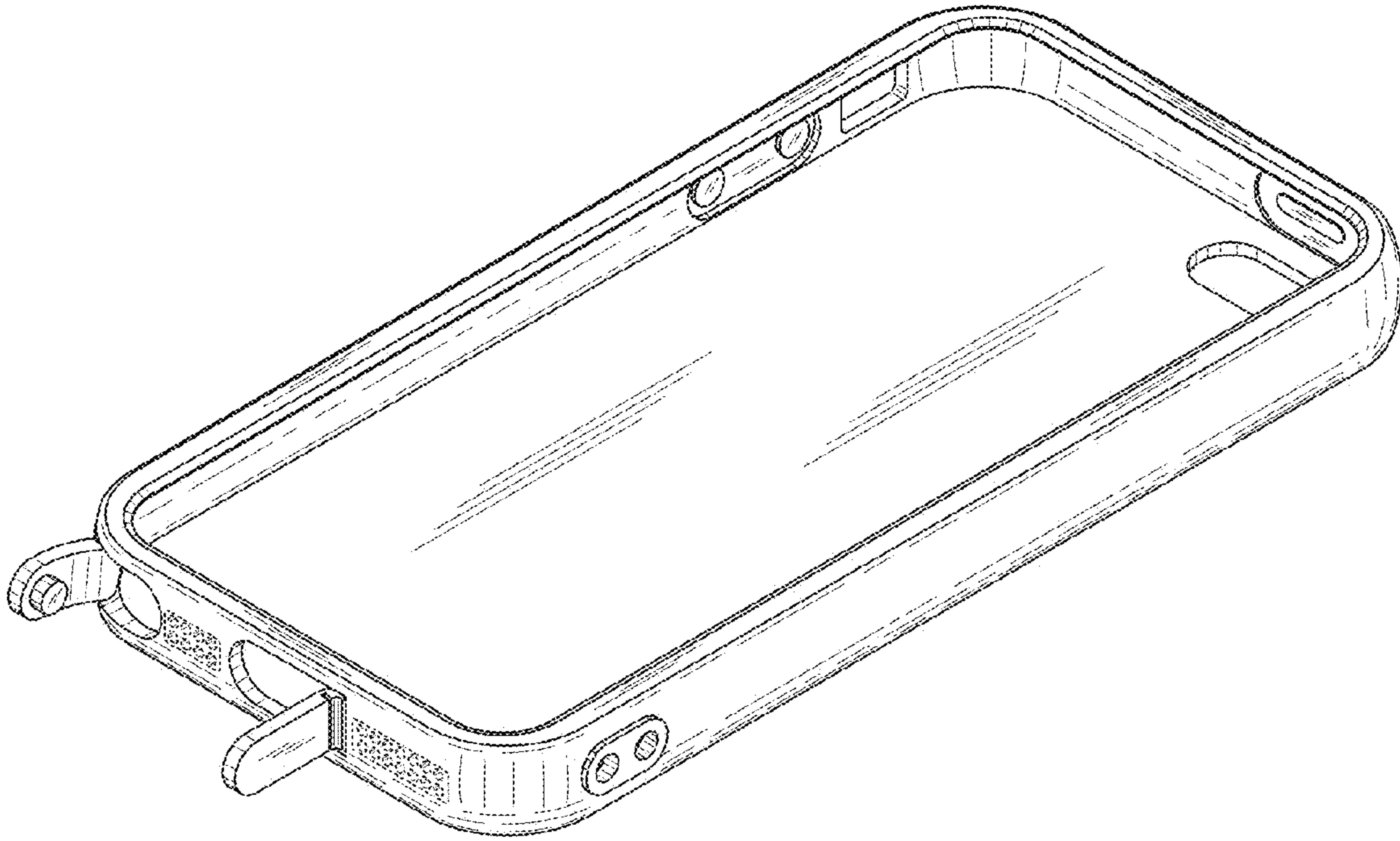


FIG.3

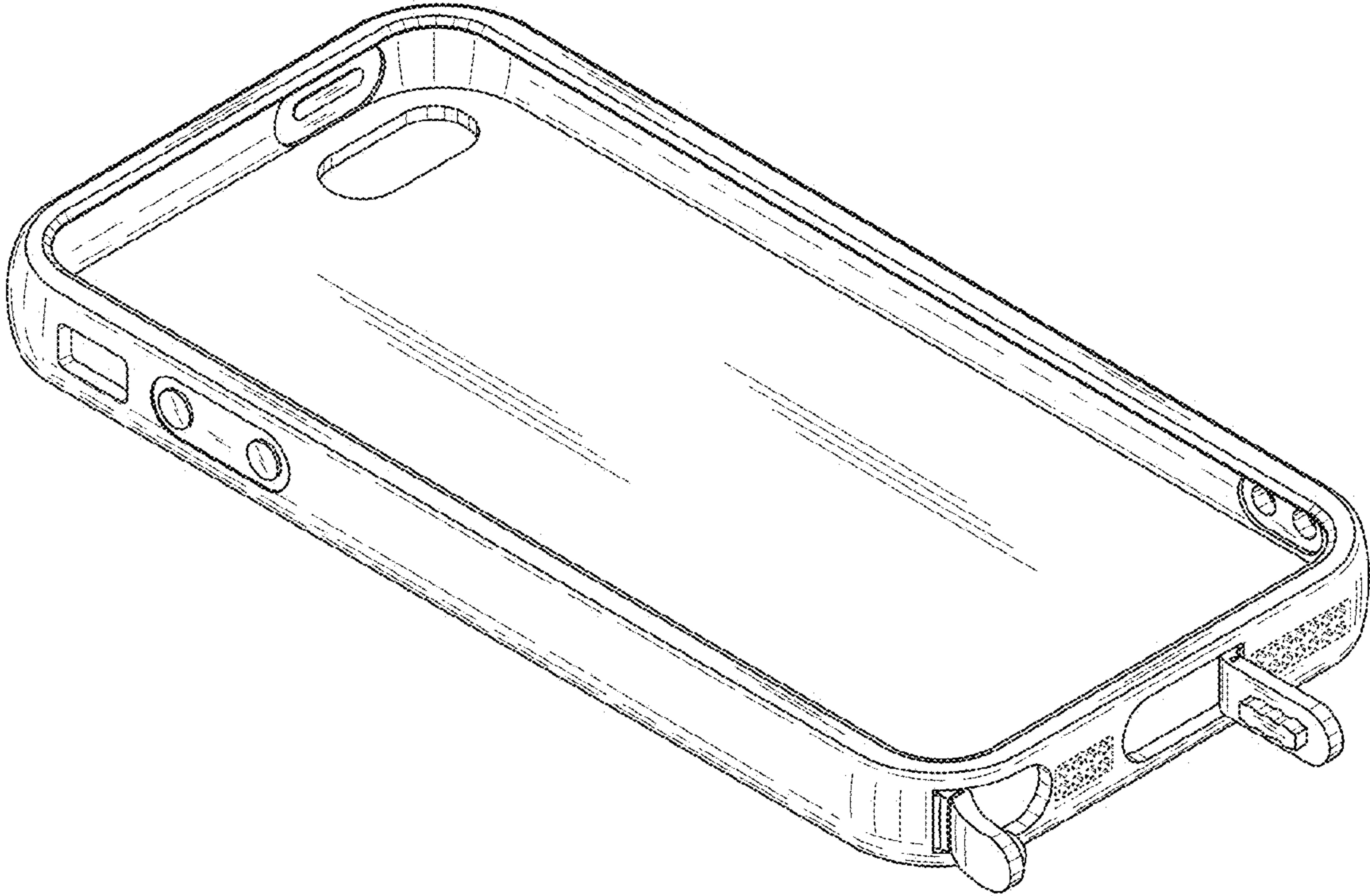


FIG.4

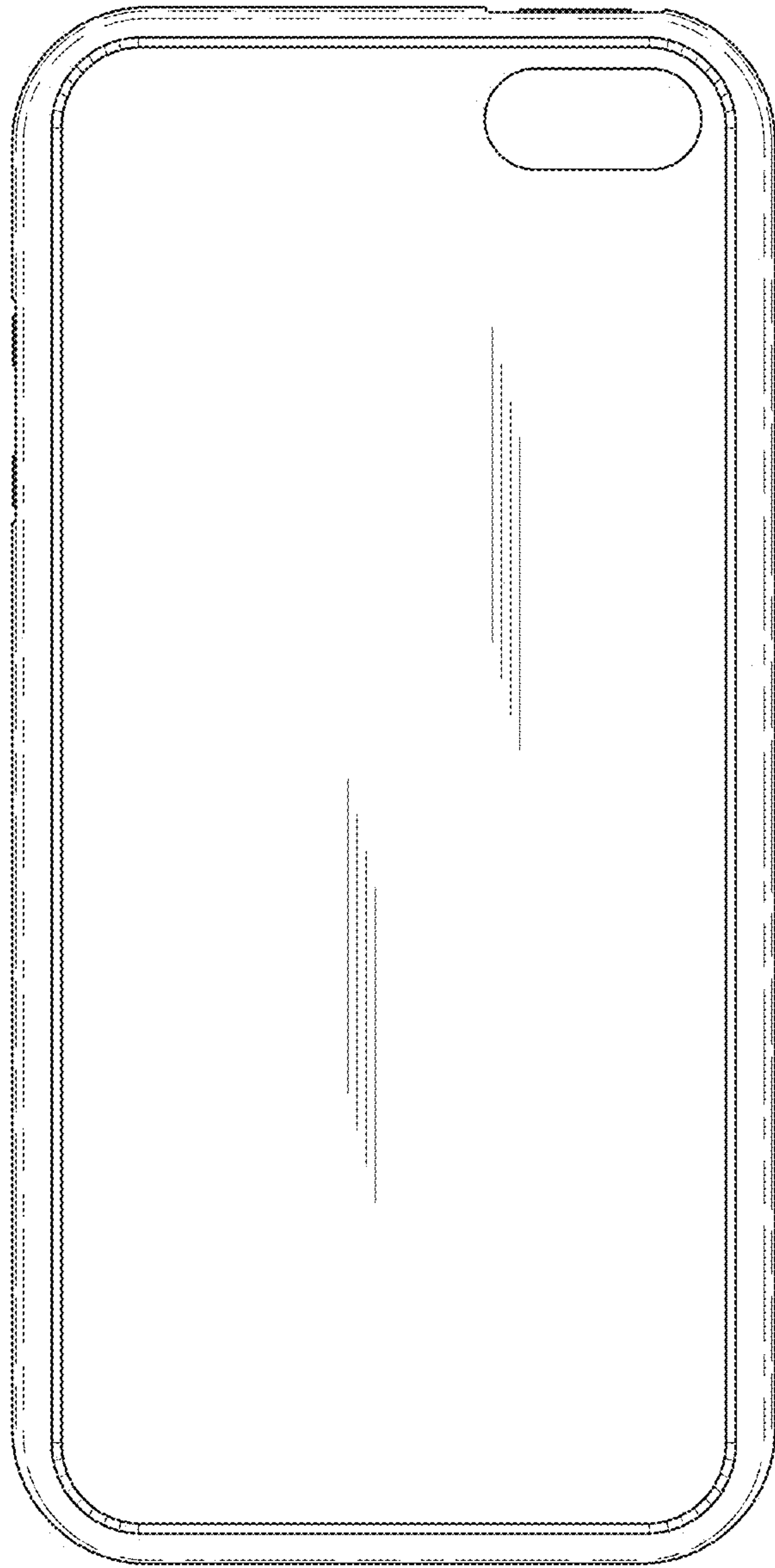


FIG. 5

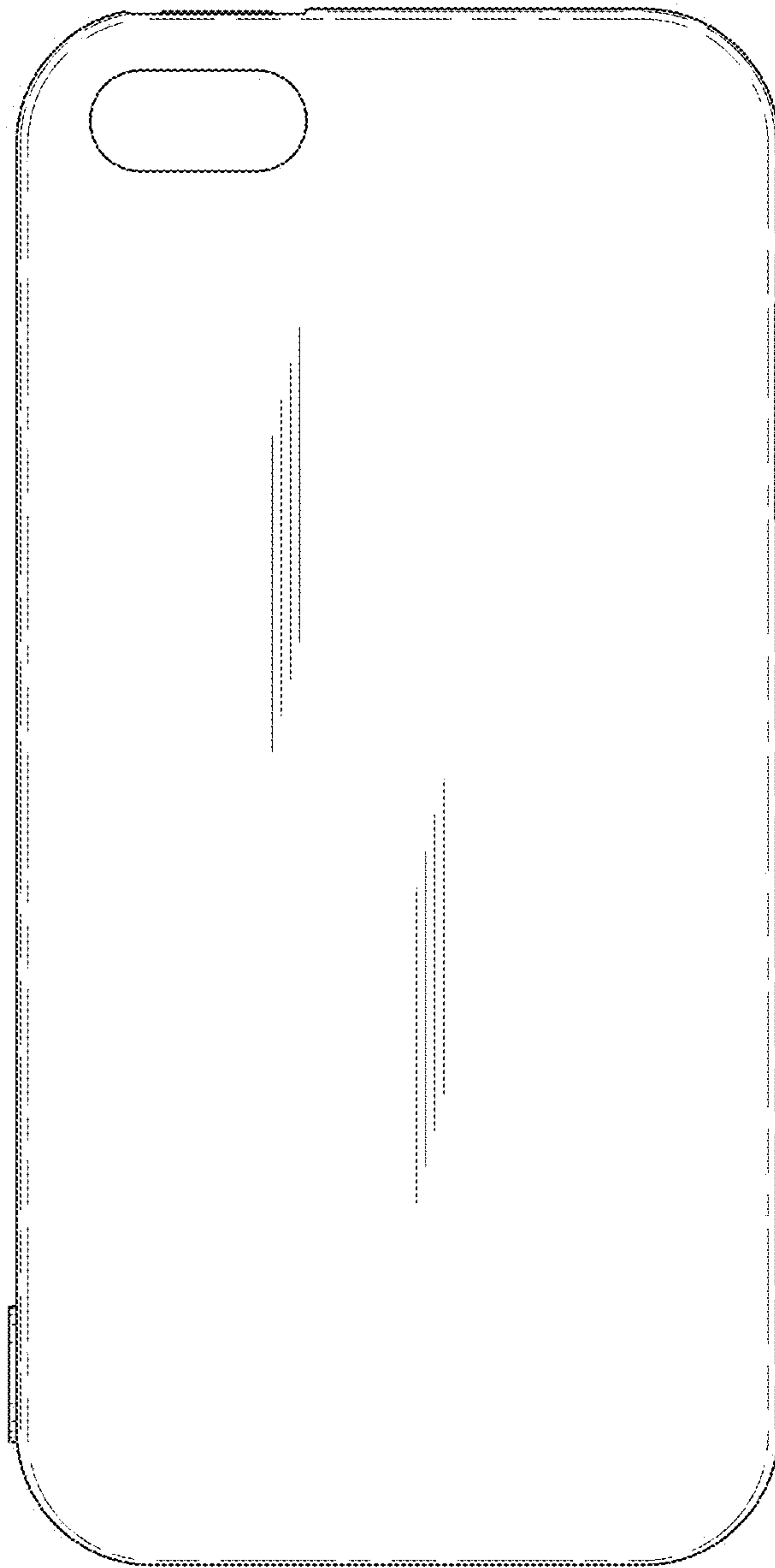


FIG. 6

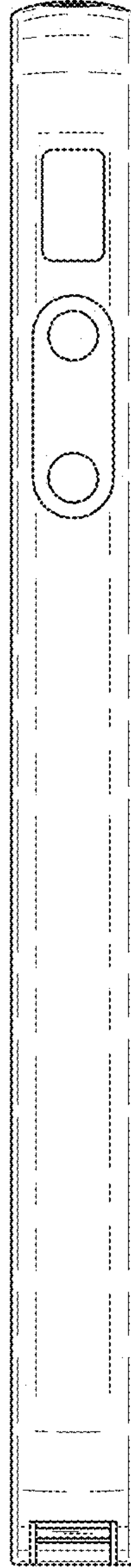


FIG.7

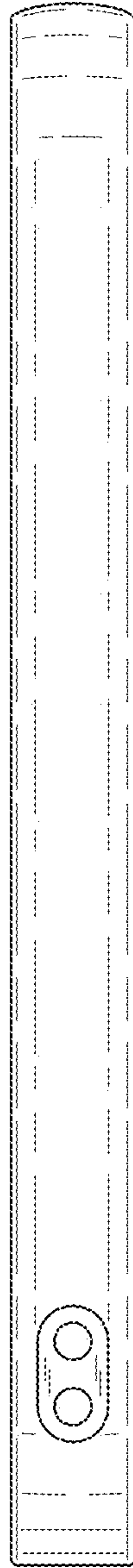


FIG.8

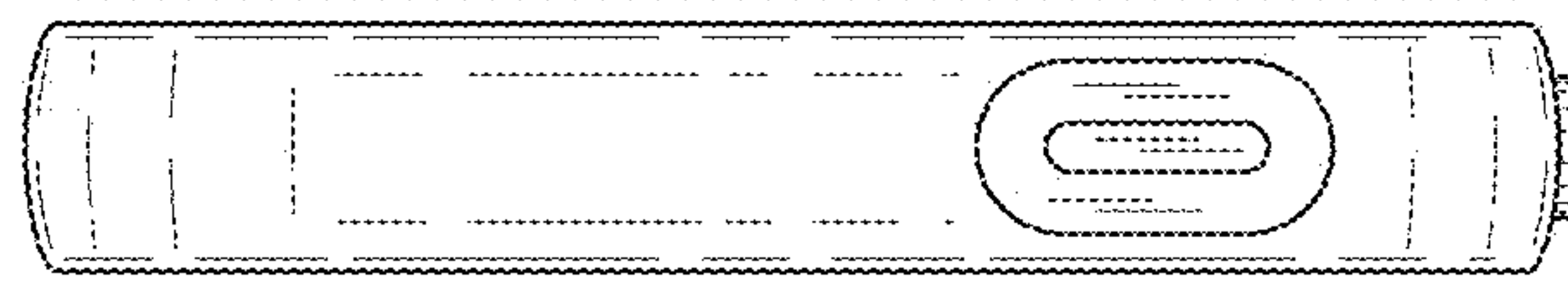


FIG.9

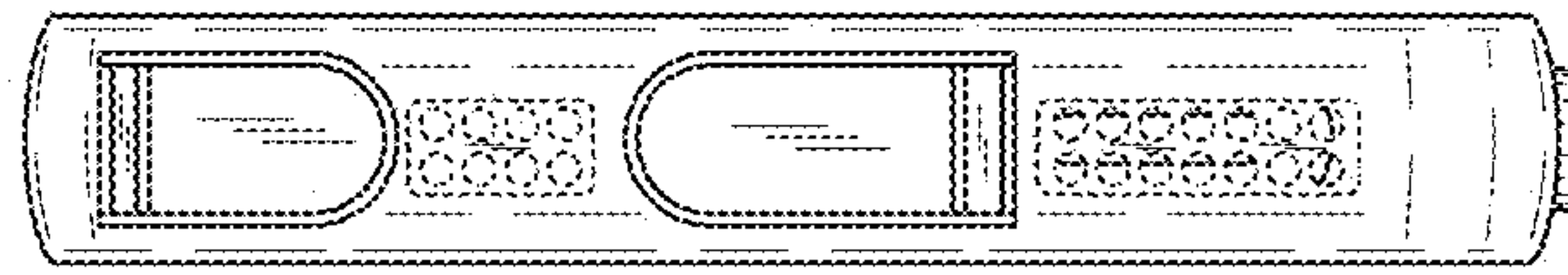


FIG.10