



US00D757702S

(12) **United States Design Patent**
Kanazawa

(10) **Patent No.:** **US D757,702 S**
(45) **Date of Patent:** **** May 31, 2016**

(54) **SMARTPHONE CASE**

- (71) Applicant: **GBS Co., Ltd.**, Tokyo (JP)
- (72) Inventor: **Futa Kanazawa**, Tokyo (JP)
- (73) Assignee: **GBS CO., LTD.**, Tokyo (JP)
- (**) Term: **14 Years**
- (21) Appl. No.: **29/498,928**
- (22) Filed: **Aug. 8, 2014**

(30) **Foreign Application Priority Data**

- Jun. 4, 2014 (JP) 2014-012094
- (51) **LOC (10) Cl.** **14-03**
- (52) **U.S. Cl.**
USPC **D14/250**
- (58) **Field of Classification Search**
USPC D14/238.1, 250, 440, 203.3-203.7, 217,
D14/240, 248, 251-253, 447, 496, 143, 189,
D14/203.2; D3/201, 218, 247, 269, 273,
D3/301, 303; D13/103, 107-108, 119
CPC A45C 1/06; A45C 11/00; A45C 13/02;
A45C 2011/002; A45F 2005/026; A45F
2200/0525; A45F 2200/0516; H04B 1/3888;
H04M 1/0283; H04M 1/0202
See application file for complete search history.

(56) **References Cited**

U.S. PATENT DOCUMENTS

D574,819 S *	8/2008	Andre	D3/269
D619,361 S *	7/2010	Andre	D3/269
D622,716 S *	8/2010	Andre	D14/250
D623,180 S *	9/2010	Diebel	D14/250
D626,539 S *	11/2010	Brown	D14/250
D669,458 S *	10/2012	Wilson	D14/250
D675,198 S *	1/2013	Andre	D14/250

(Continued)

FOREIGN PATENT DOCUMENTS

JP D1473797 * 7/2013

Primary Examiner — Carla Jobe Wright

(74) *Attorney, Agent, or Firm* — Muncy, Geissler, Olds & Lowe, P.C.

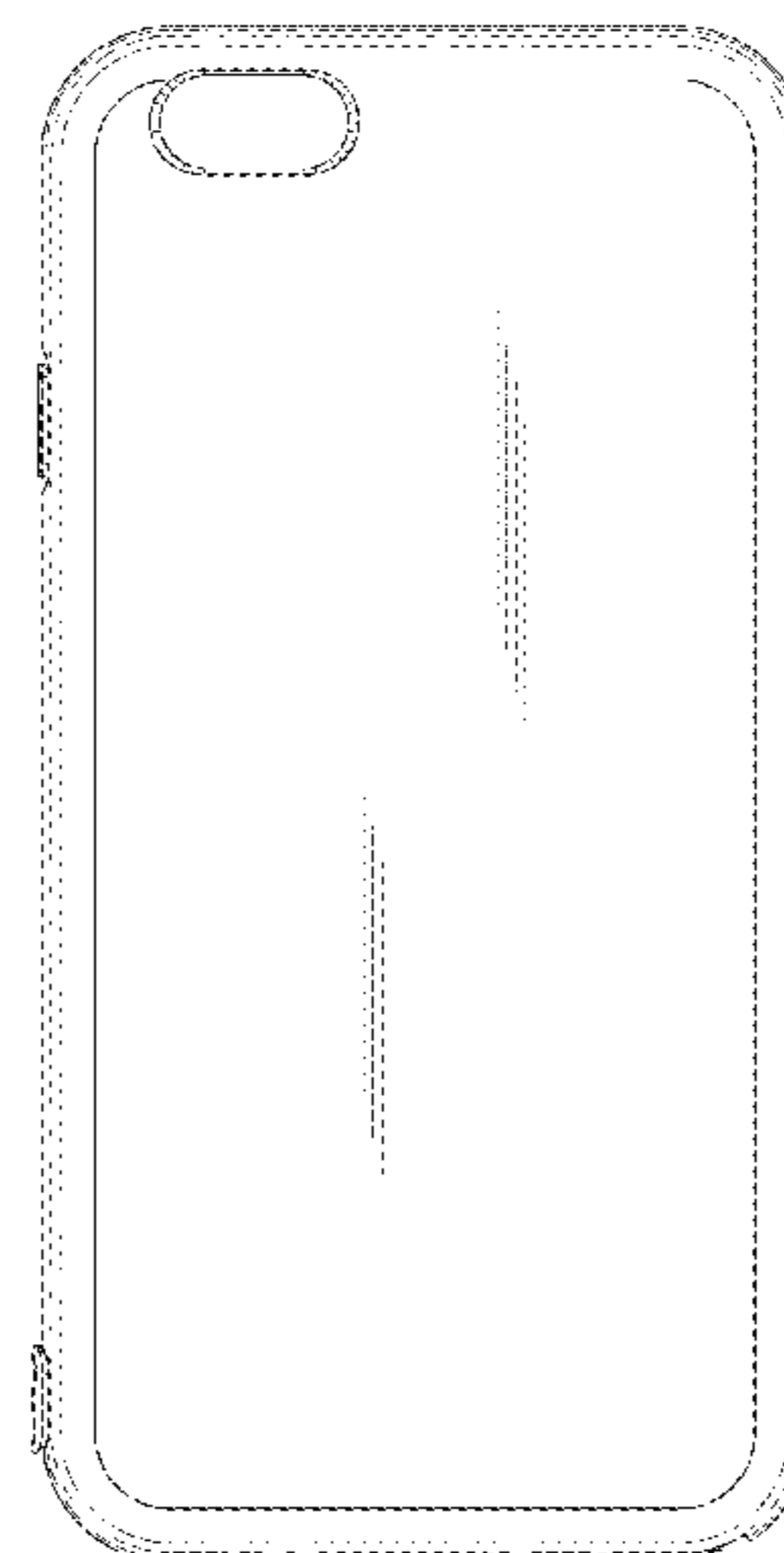
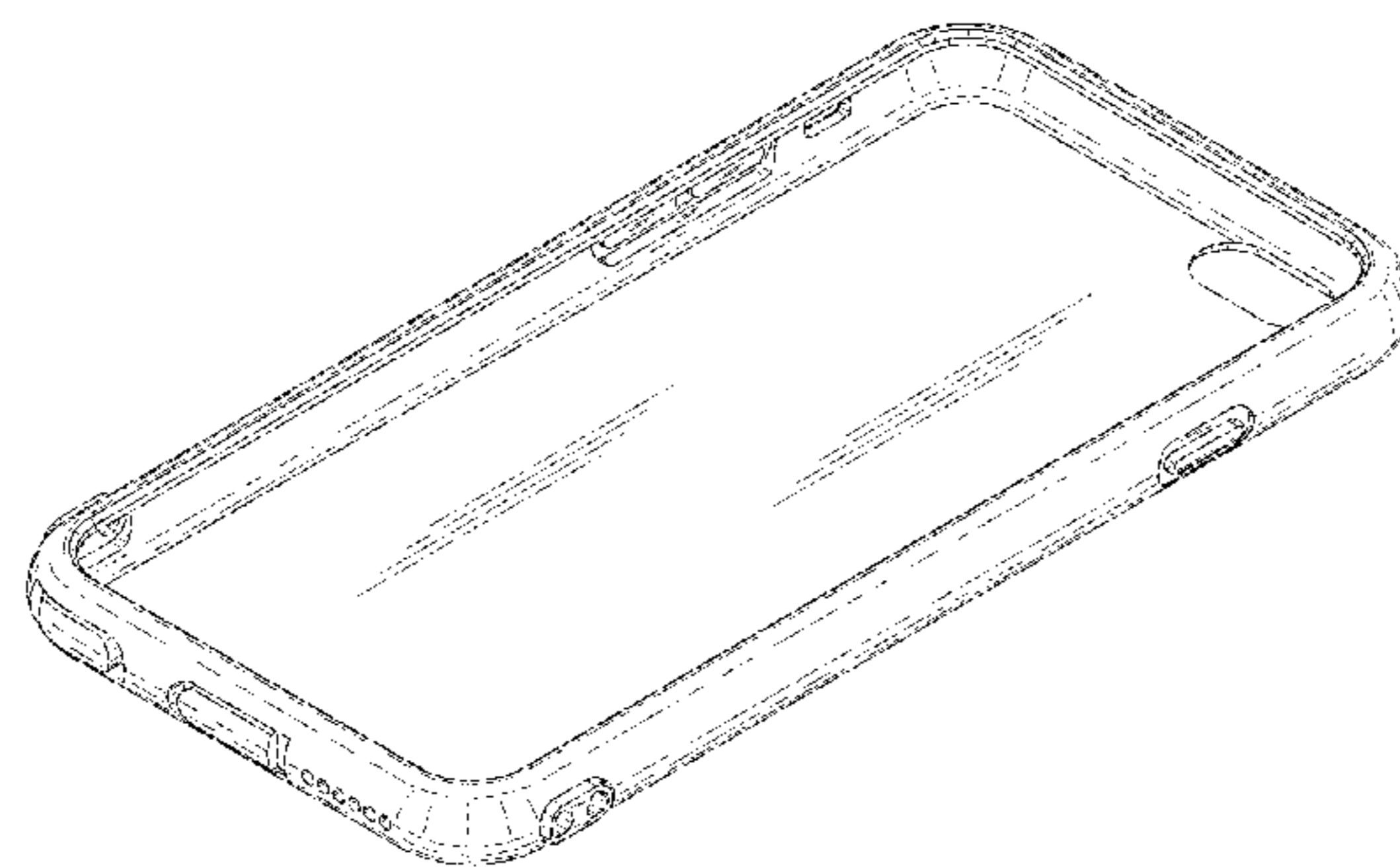
(57) **CLAIM**

The ornamental design for a smartphone case, as shown and described.

DESCRIPTION

FIG. 1 is a front, right, and bottom perspective view of a smartphone case showing my new design;
 FIG. 2 is a front, right, and bottom perspective view thereof, in which cover portions on the bottom are folded outward
 FIG. 3 is a front, left, and top perspective view thereof;
 FIG. 4 is a rear, left, and bottom perspective view thereof;
 FIG. 5 is a rear, left, and bottom perspective view thereof, in which cover portions on the bottom are folded outward;
 FIG. 6 is a rear, right, and top perspective view thereof;
 FIG. 7 is a front elevational view thereof;
 FIG. 8 is a rear elevational view thereof;
 FIG. 9 is right side view thereof;
 FIG. 10 is left side view thereof;
 FIG. 11 is a top plan view thereof;
 FIG. 12 is a bottom plan view thereof;
 FIG. 13 is a cross-sectional view taken in the direction of line 13-13 of FIG. 7;
 FIG. 14 is a cross-sectional view taken in the direction of line 14-14 of FIG. 7;
 FIG. 15 is a cross-sectional view taken in the direction of line 15-15 of FIG. 7;
 FIG. 16 is a cross-sectional view taken in the direction of line 16-16 of FIG. 7; and,
 FIG. 17 is a cross-sectional view taken in the direction of line 17-17 of FIG. 7.

1 Claim, 17 Drawing Sheets



(56)

References Cited

U.S. PATENT DOCUMENTS

D703,654 S *	4/2014	Melanson	D14/250	D743,389 S *	11/2015	Akana	D14/250
D703,655 S *	4/2014	Melanson	D14/250	D746,273 S *	12/2015	Herbst	D14/250
D714,276 S *	9/2014	Hu	D14/250	2011/0095033 A1 *	4/2011	Hung	A45C 11/00 220/602
D718,291 S *	11/2014	Hong	D14/250	2011/0309728 A1 *	12/2011	Diebel	H04B 1/3888 312/293.1
D719,559 S *	12/2014	Dukerschein	D14/250	2013/0257240 A1 *	10/2013	Hong	H04B 1/3888 312/223.1
D720,341 S *	12/2014	Sharudenko	D14/250	2014/0110275 A1 *	4/2014	Wu	A45C 11/00 206/37
D721,360 S *	1/2015	Laffon de Mazieres	D14/250					
D740,798 S *	10/2015	Poon	D14/250					

* cited by examiner

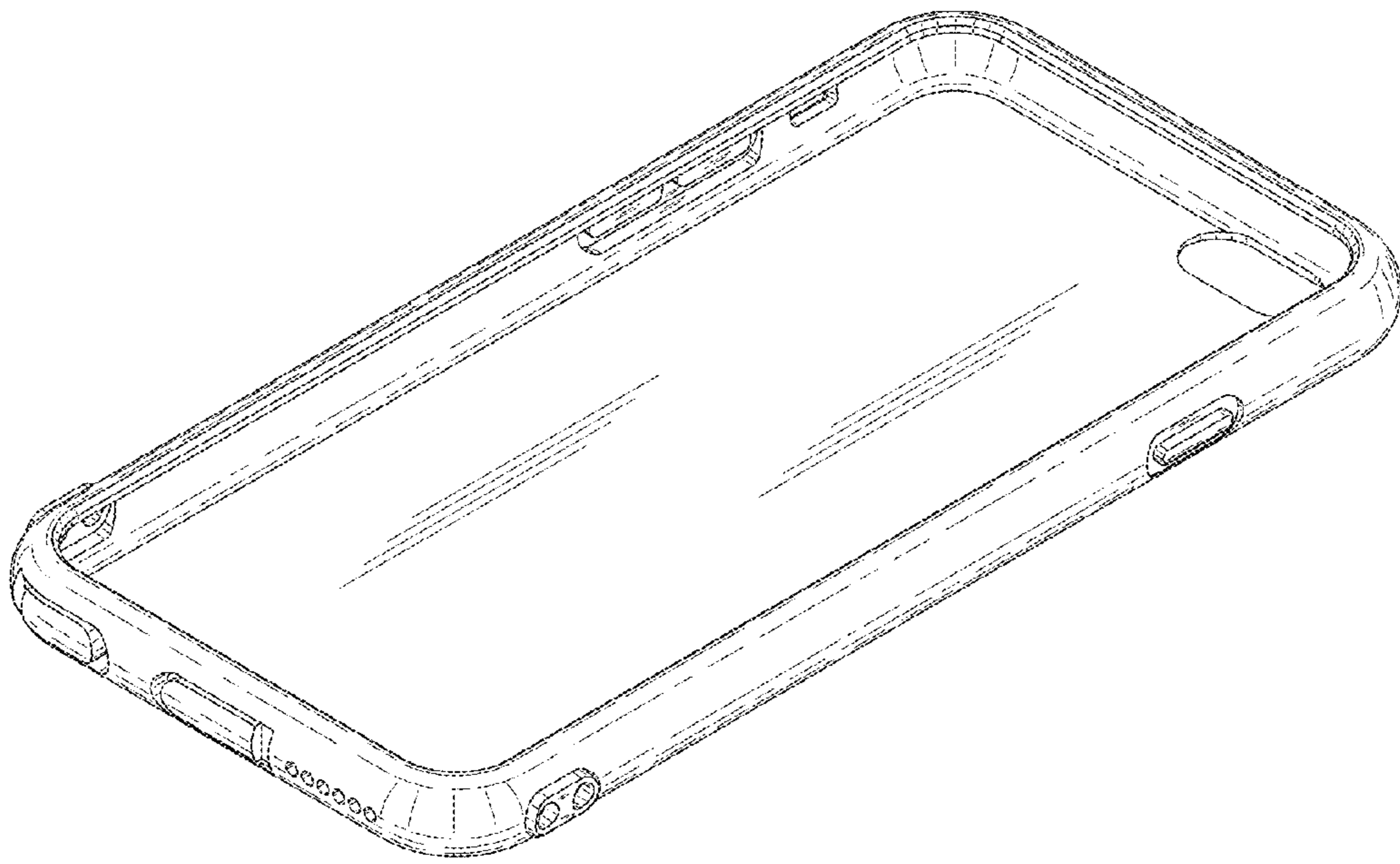


FIG.1

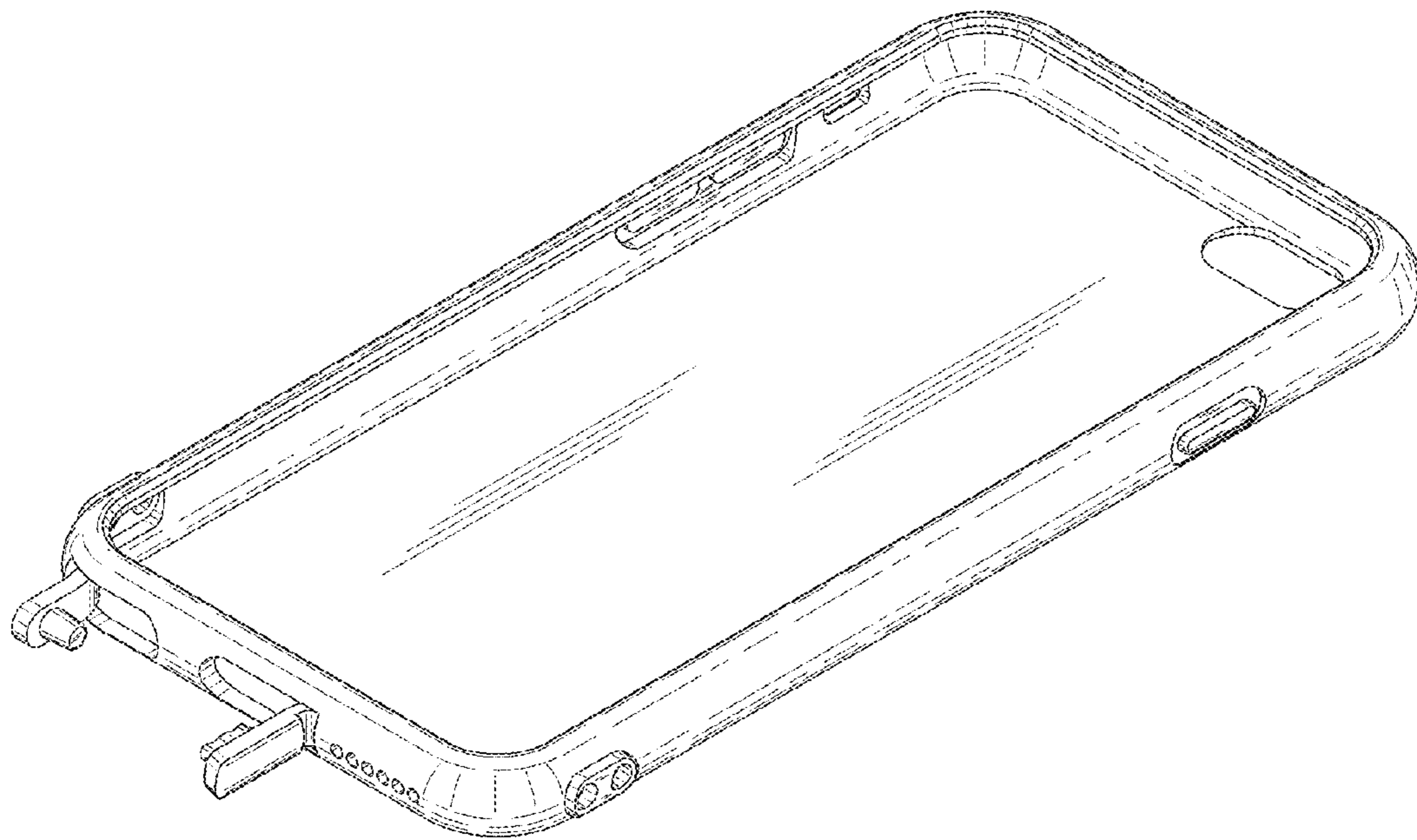


FIG.2

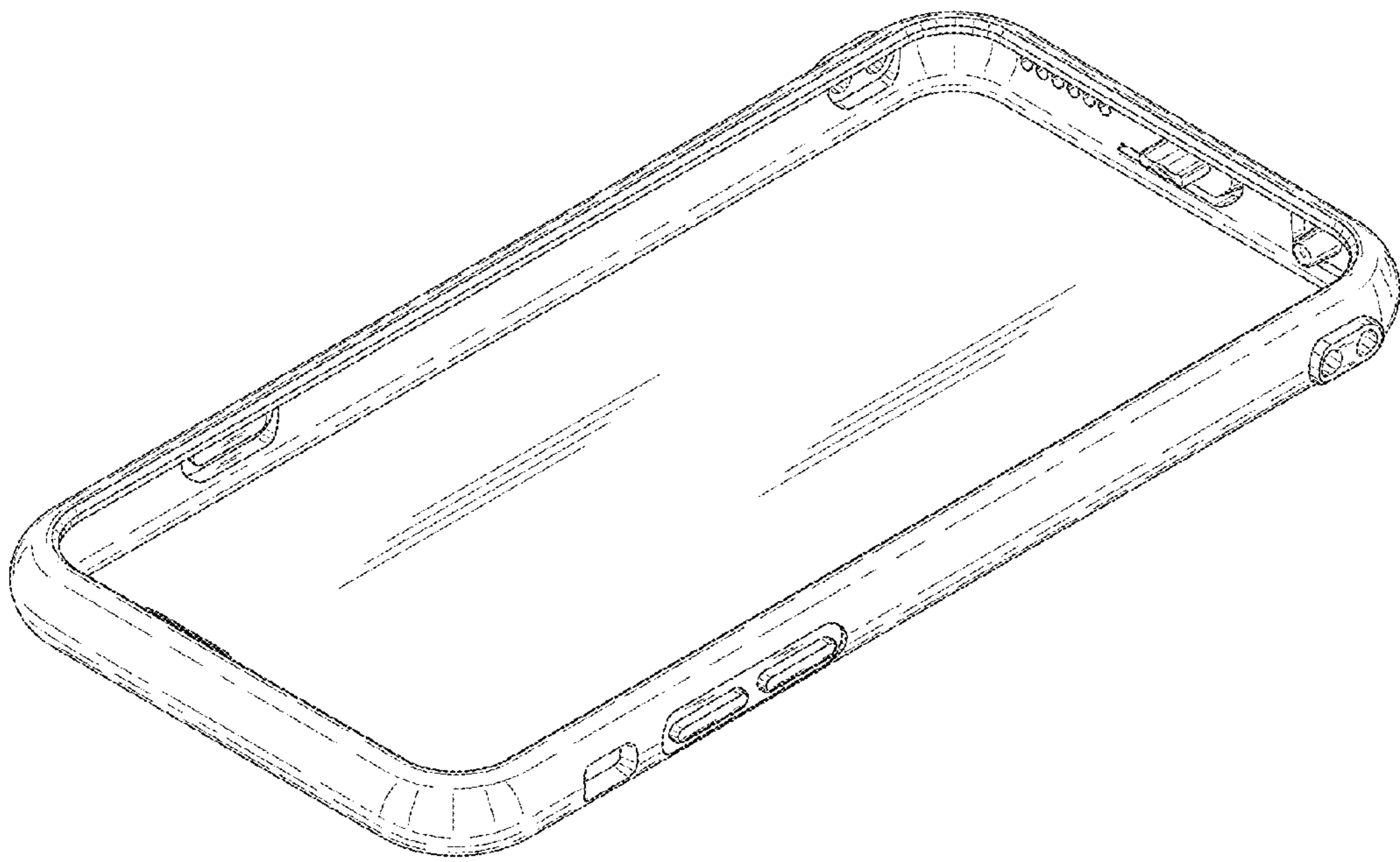


FIG.3

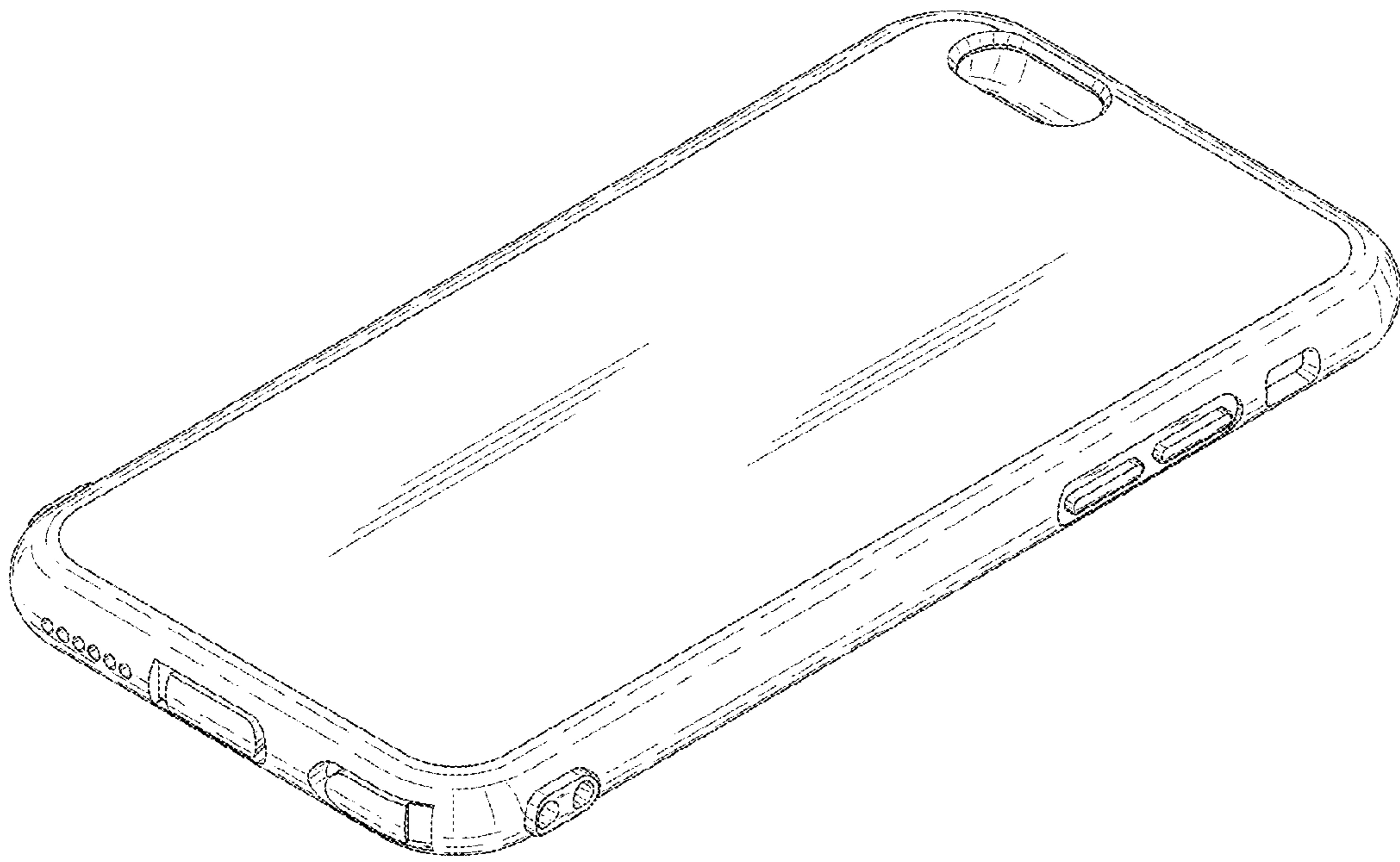


FIG.4

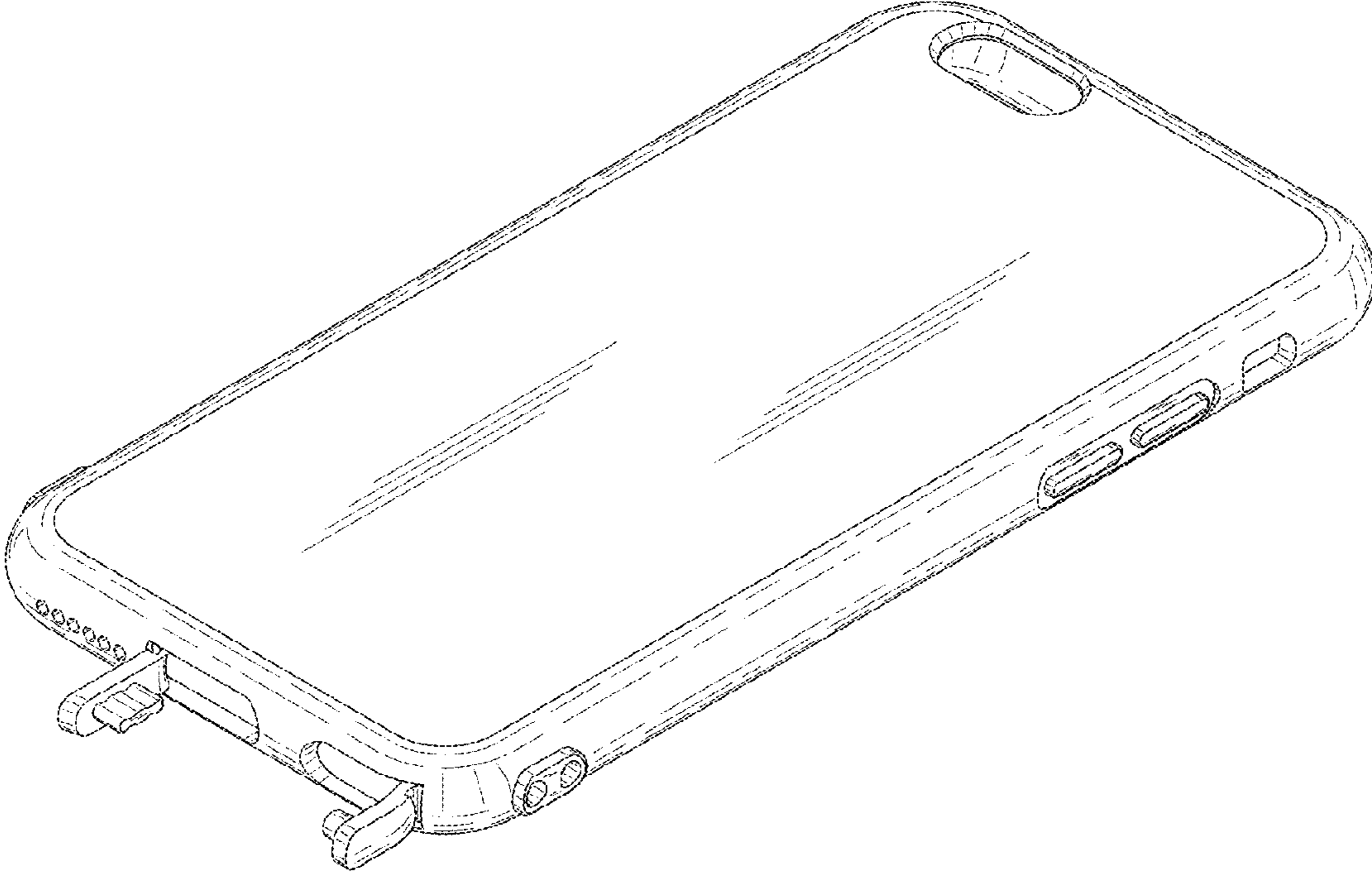


FIG.5

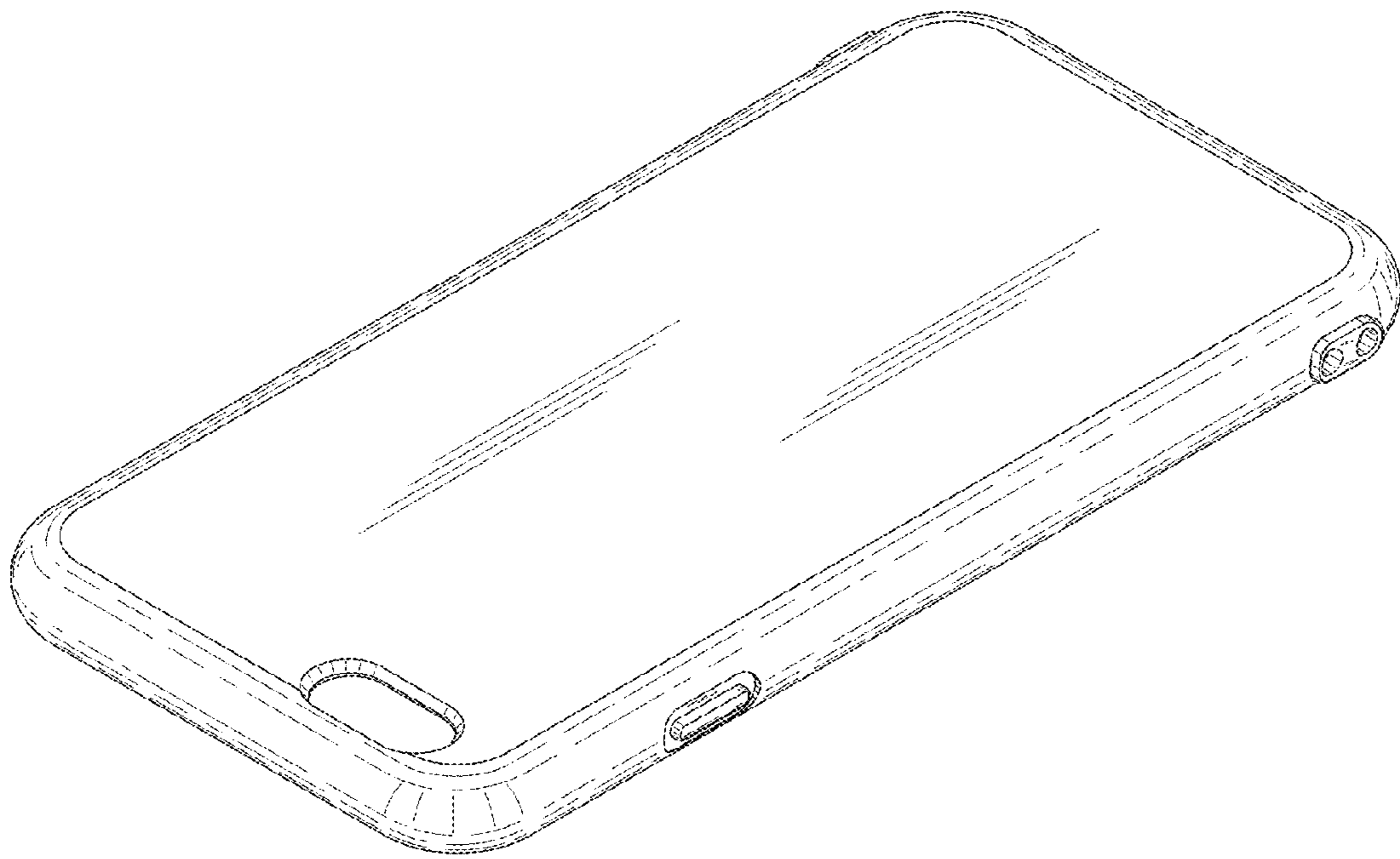


FIG.6

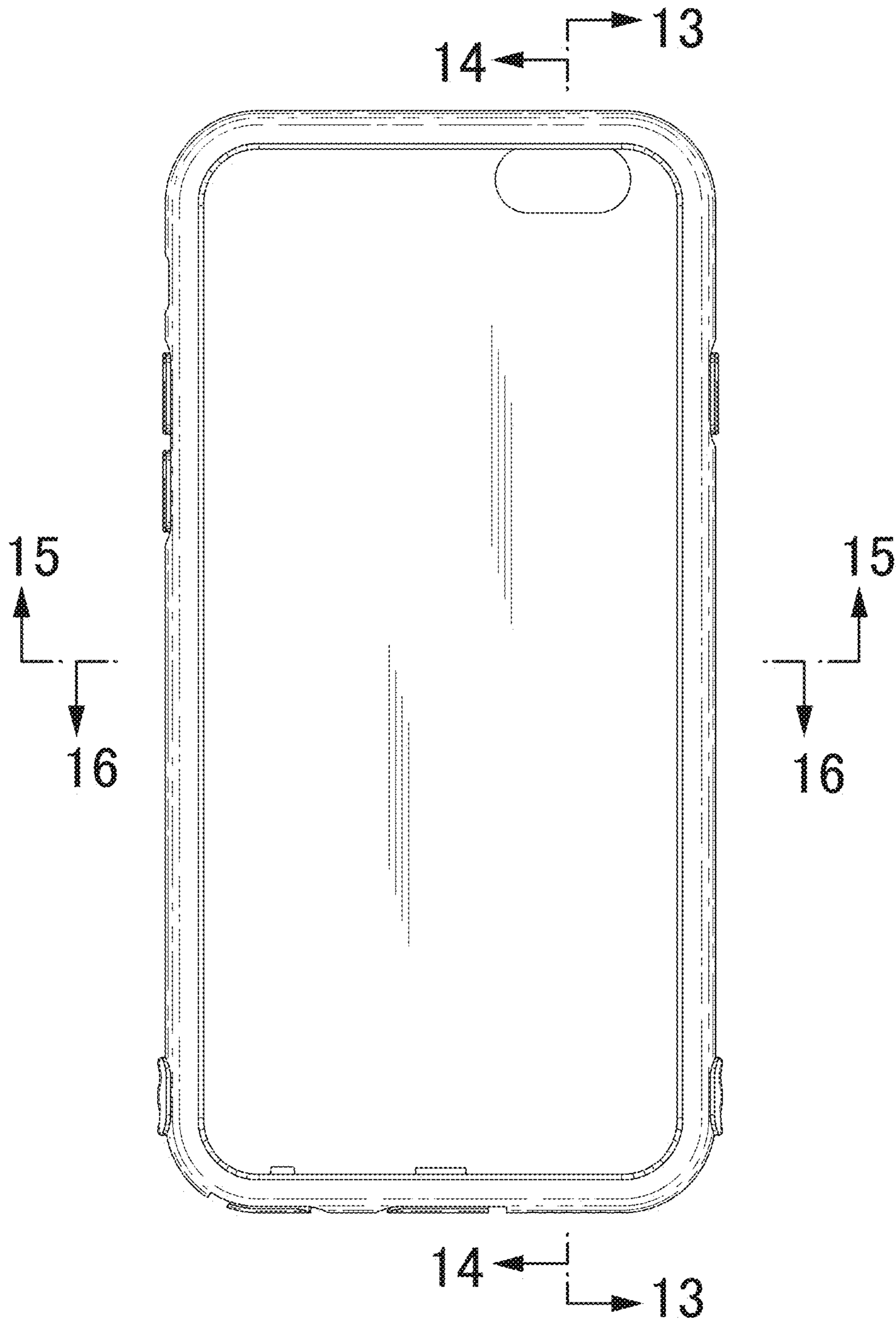


FIG. 7

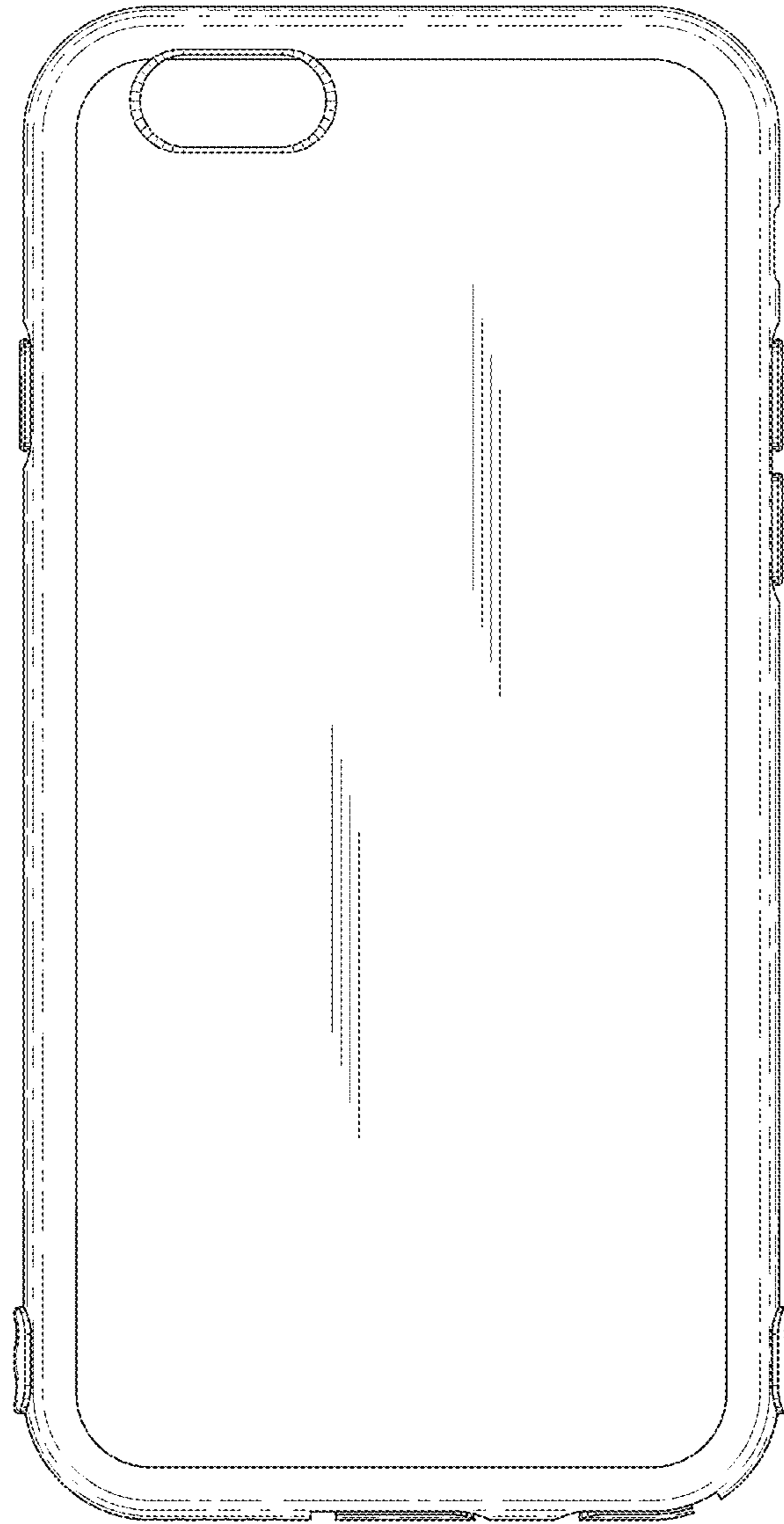


FIG. 8

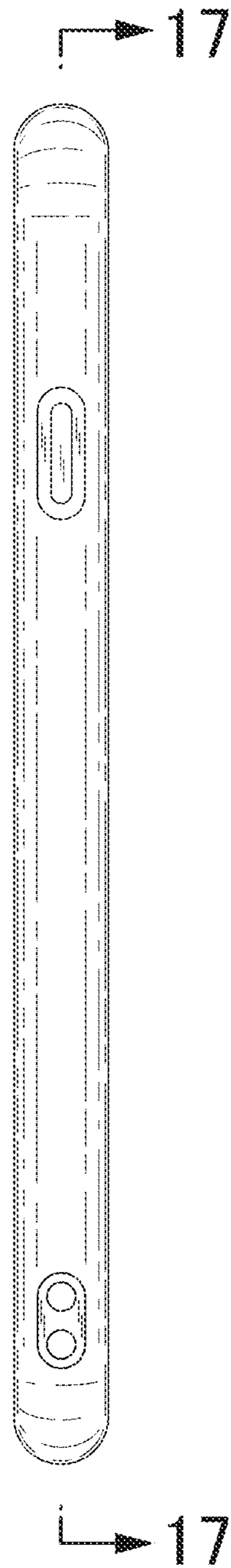


FIG. 9



FIG.10

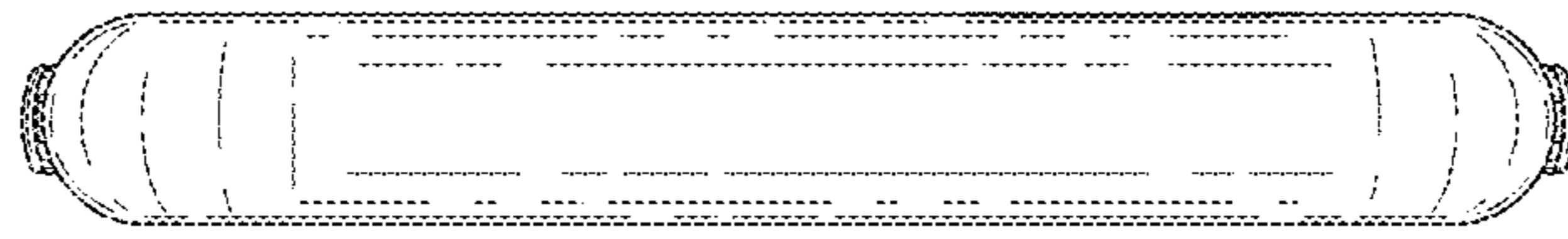


FIG.11

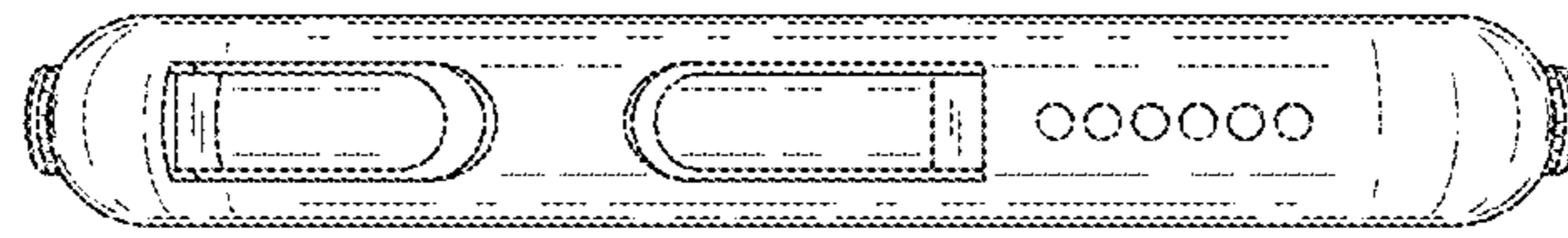


FIG.12

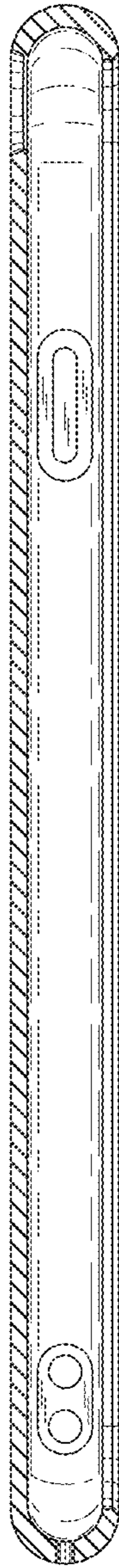


FIG.13

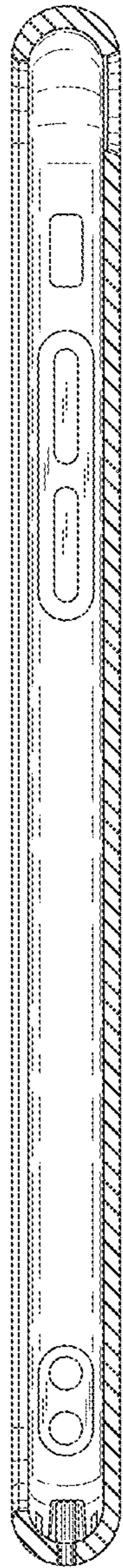


FIG.14

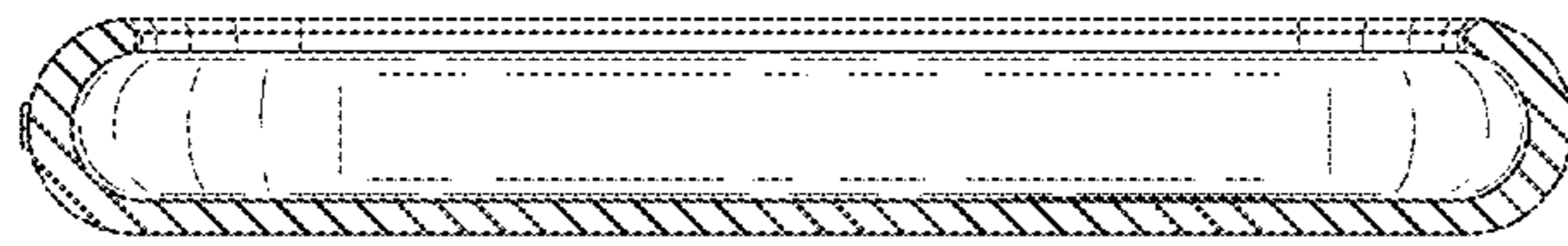


FIG.15

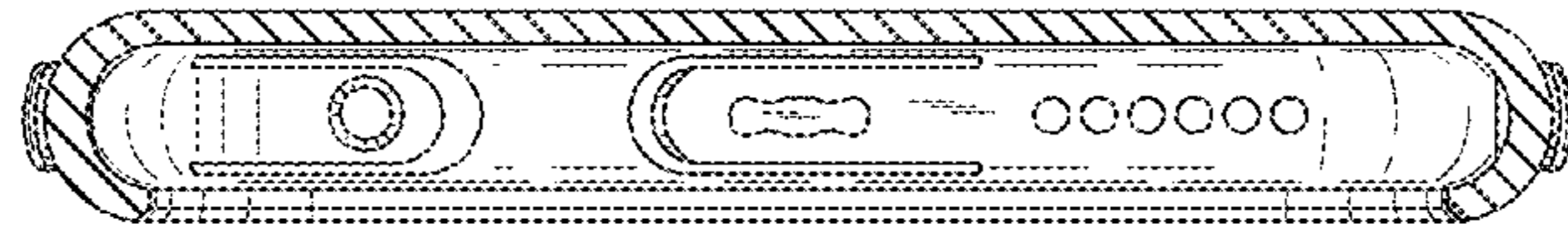


FIG.16

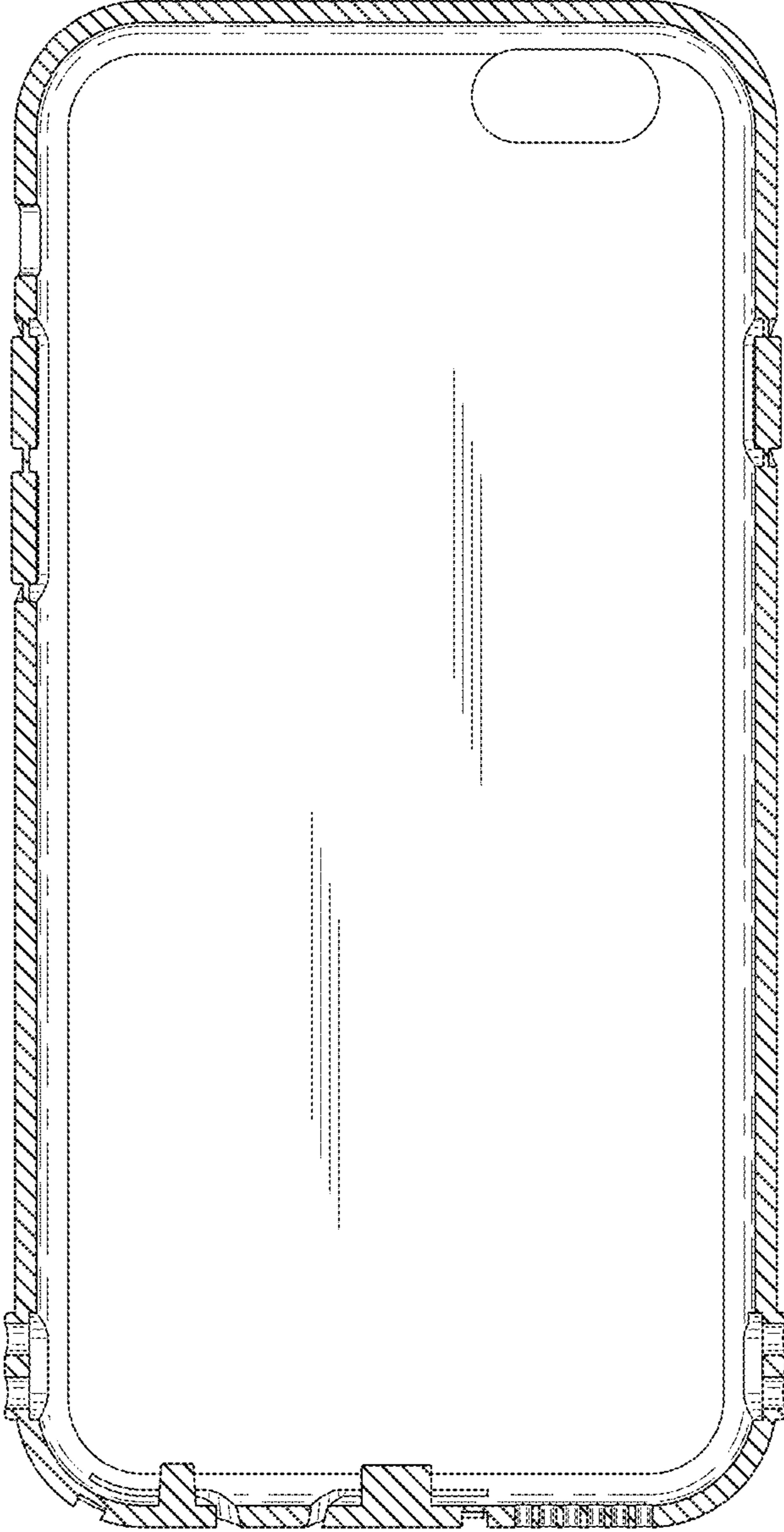


FIG.17