



US00D757696S

(12) **United States Design Patent**
Eski

(10) **Patent No.:** **US D757,696 S**

(45) **Date of Patent:** **** May 31, 2016**

(54) **PHONE ATTACHMENT**

(71) Applicant: **Osman Eski**, Istanbul (TR)

(72) Inventor: **Osman Eski**, Istanbul (TR)

(73) Assignee: **GRIMED SAGLIK HIZMETLERI
VE BILGISAYAR ÜRÜNLERI
SANAYI TICARET LIMITET
SIRKETI**, Istanbul (TR)

(**) Term: **14 Years**

(21) Appl. No.: **29/485,728**

(22) Filed: **Mar. 21, 2014**

(51) **LOC (10) Cl.** **14-03**

(52) **U.S. Cl.**
USPC **D14/240**

(58) **Field of Classification Search**
USPC D14/240, 242, 435.1, 357, 358,
D14/140-140.9, 155, 137, 139, 243, 351,
D14/354, 355, 250; D16/130, 131, 134-136
CPC H04L 12/00; H03K 17/00; H04W 88/00;
H04W 88/02; H04W 88/08; H04W 88/10;
H04W 88/085; H04W 88/12; H04W 88/14;
H04B 1/38; G02B 7/02
See application file for complete search history.

(56) **References Cited**

U.S. PATENT DOCUMENTS

D645,033 S * 9/2011 Quong D14/253
D686,605 S * 7/2013 Palmeri D14/250

D697,957 S * 1/2014 Glasse D16/134
D709,439 S * 7/2014 Ferber D13/103
D711,312 S * 8/2014 Tien D13/103
D716,784 S * 11/2014 Wen D14/250
D722,043 S * 2/2015 Requa D13/108
D723,601 S * 3/2015 O'Neill D16/134
D726,796 S * 4/2015 O'Neill D16/134
D727,385 S * 4/2015 O'Neill D16/134
D728,468 S * 5/2015 Ferber D13/103
2010/0124040 A1 * 5/2010 Diebel G06F 1/1628
361/816
2012/0303520 A1 * 11/2012 Huang H01M 10/46
705/39
2014/0078671 A1 * 3/2014 Hong H04B 1/3888
361/679.56

* cited by examiner

Primary Examiner — Rosemary K Tarcza

Assistant Examiner — Sanjeev Paul

(74) *Attorney, Agent, or Firm* — Egbert Law Offices, PLLC

(57) **CLAIM**

The ornamental design for a phone attachment, as shown and described.

DESCRIPTION

FIG. 1 is a side view of the phone attachment showing my new design.

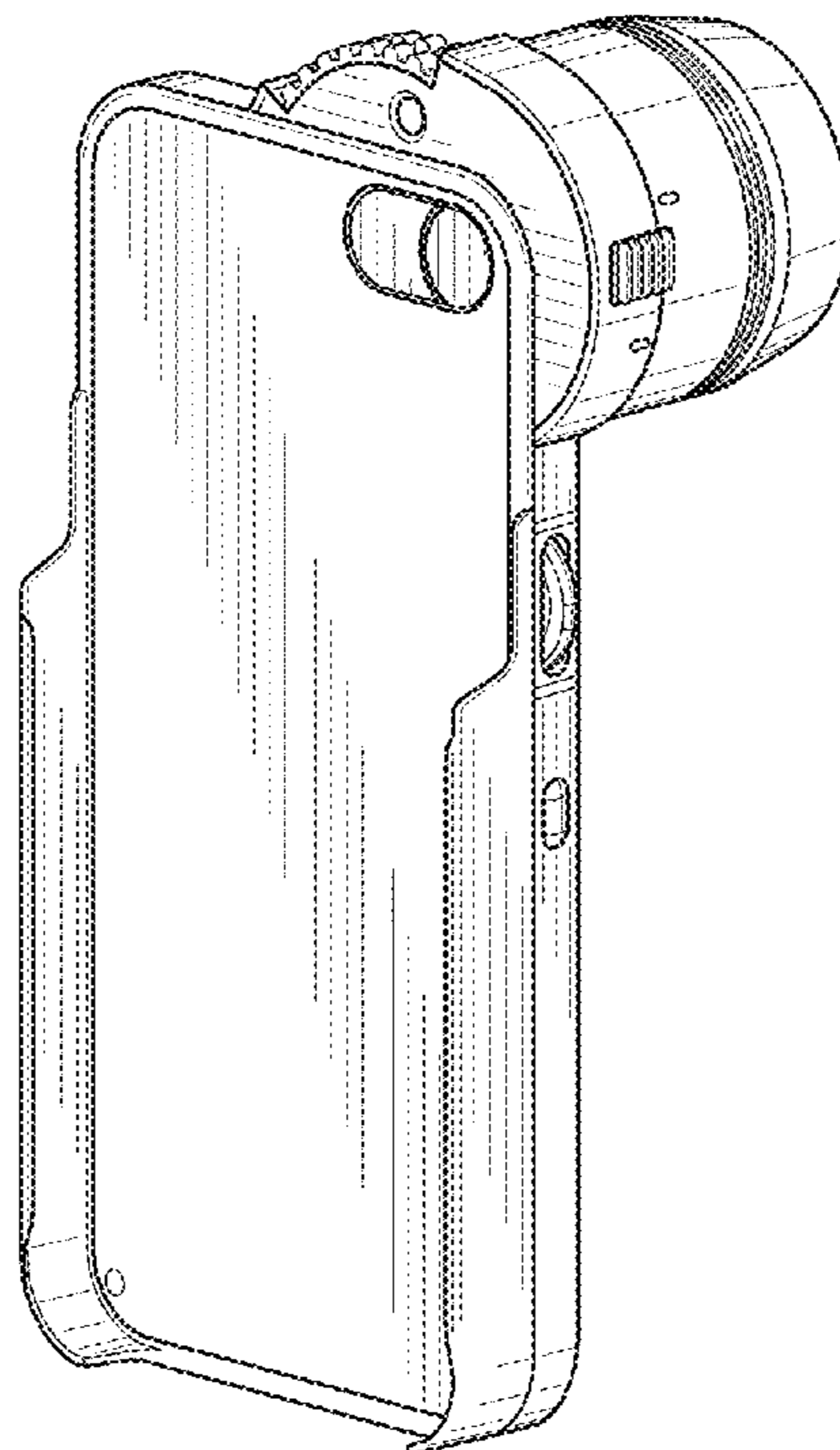
FIG. 2 is a rear perspective view thereof;

FIG. 3 is a front view thereof;

FIG. 4 is a rear view thereof; and,

FIG. 5 is an opposite side view thereof.

1 Claim, 3 Drawing Sheets



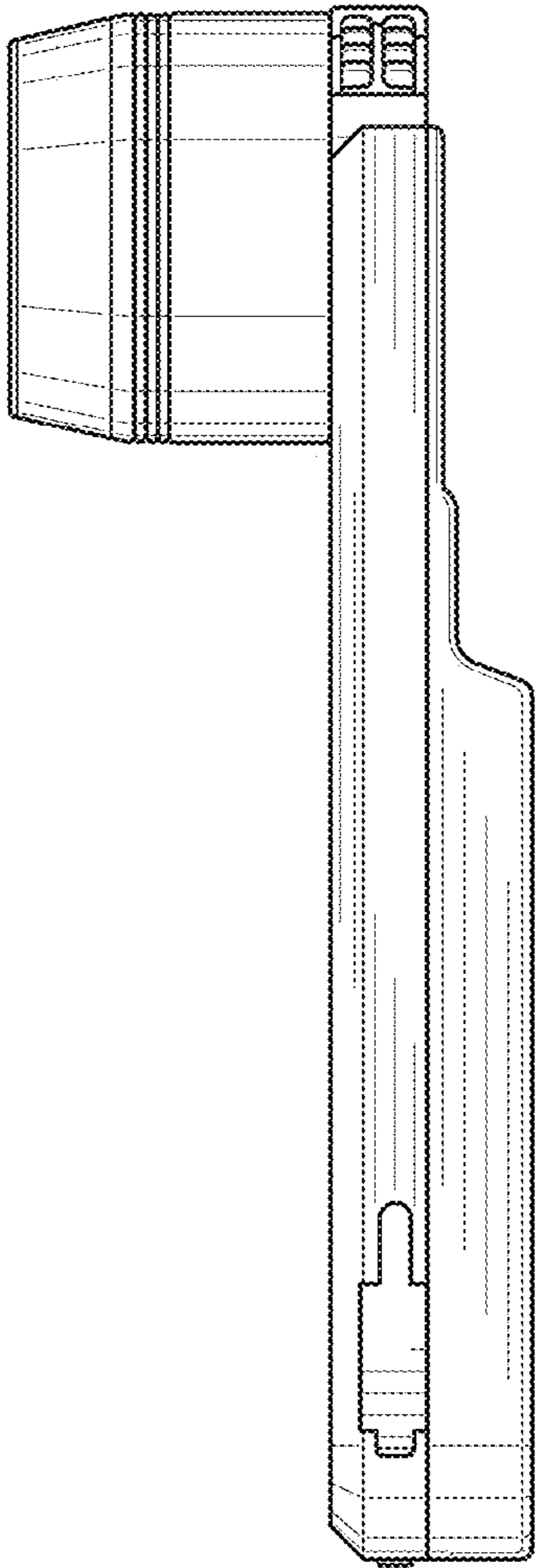


FIG. 1

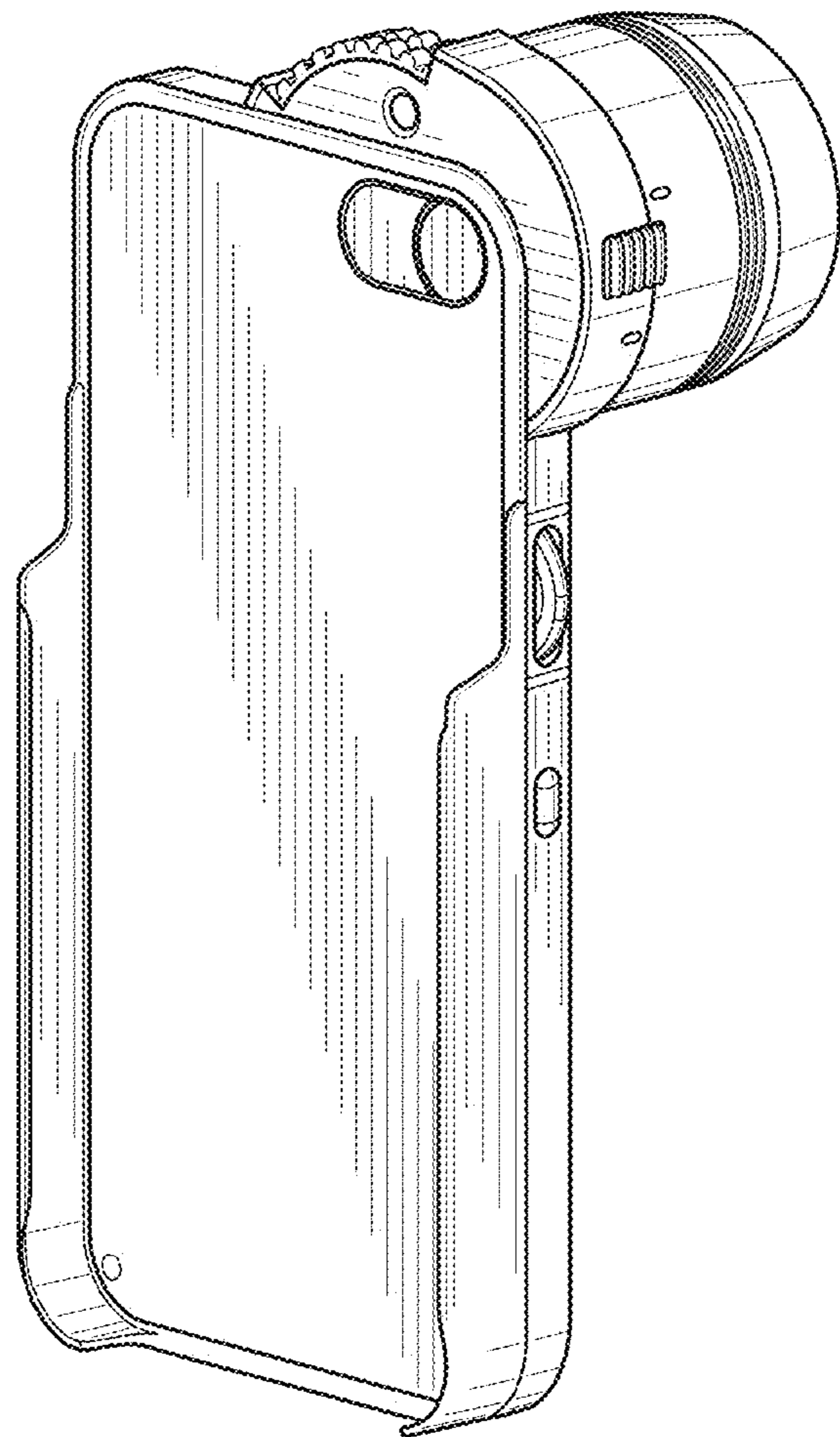


FIG. 2

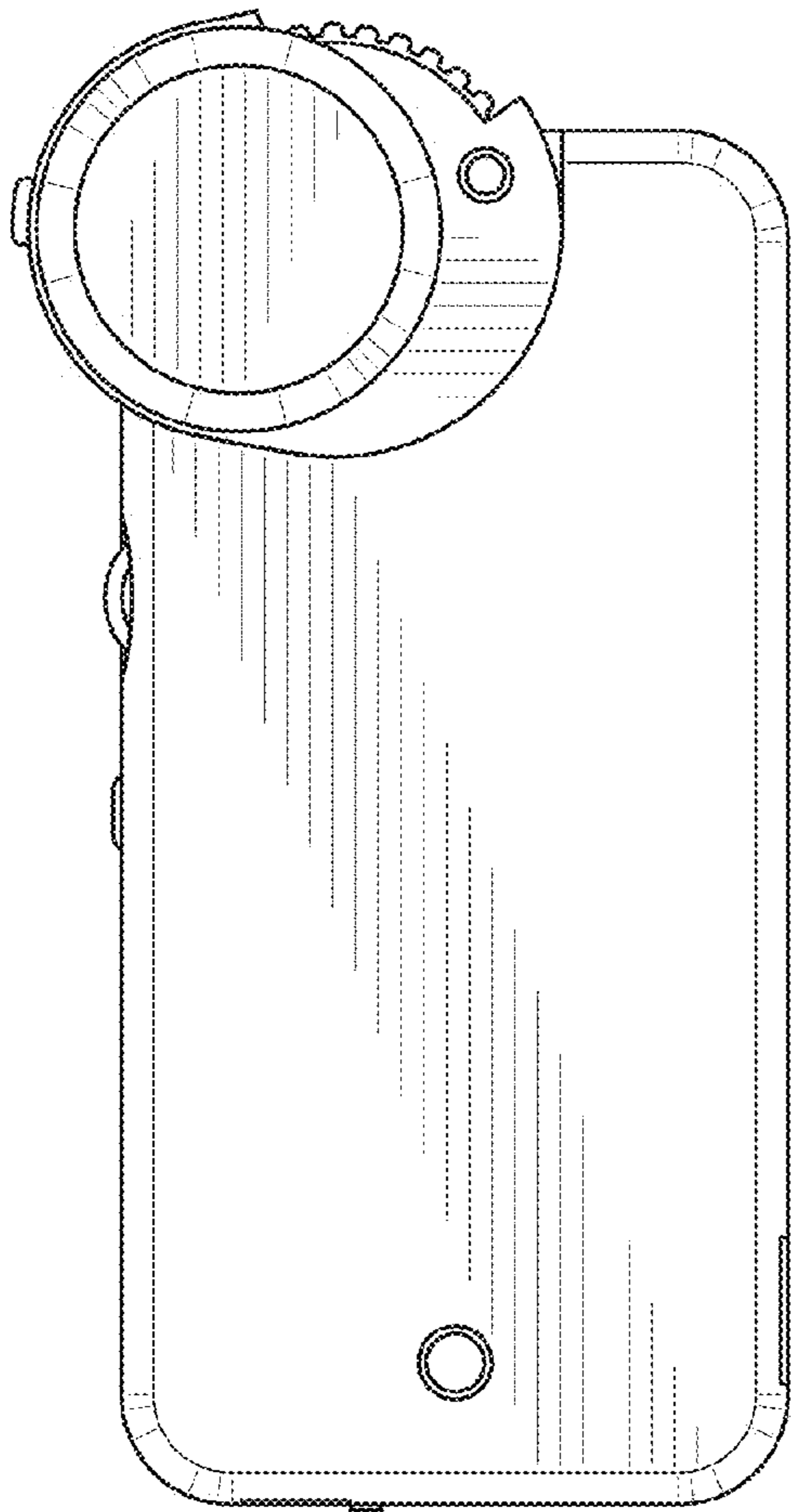


FIG. 3

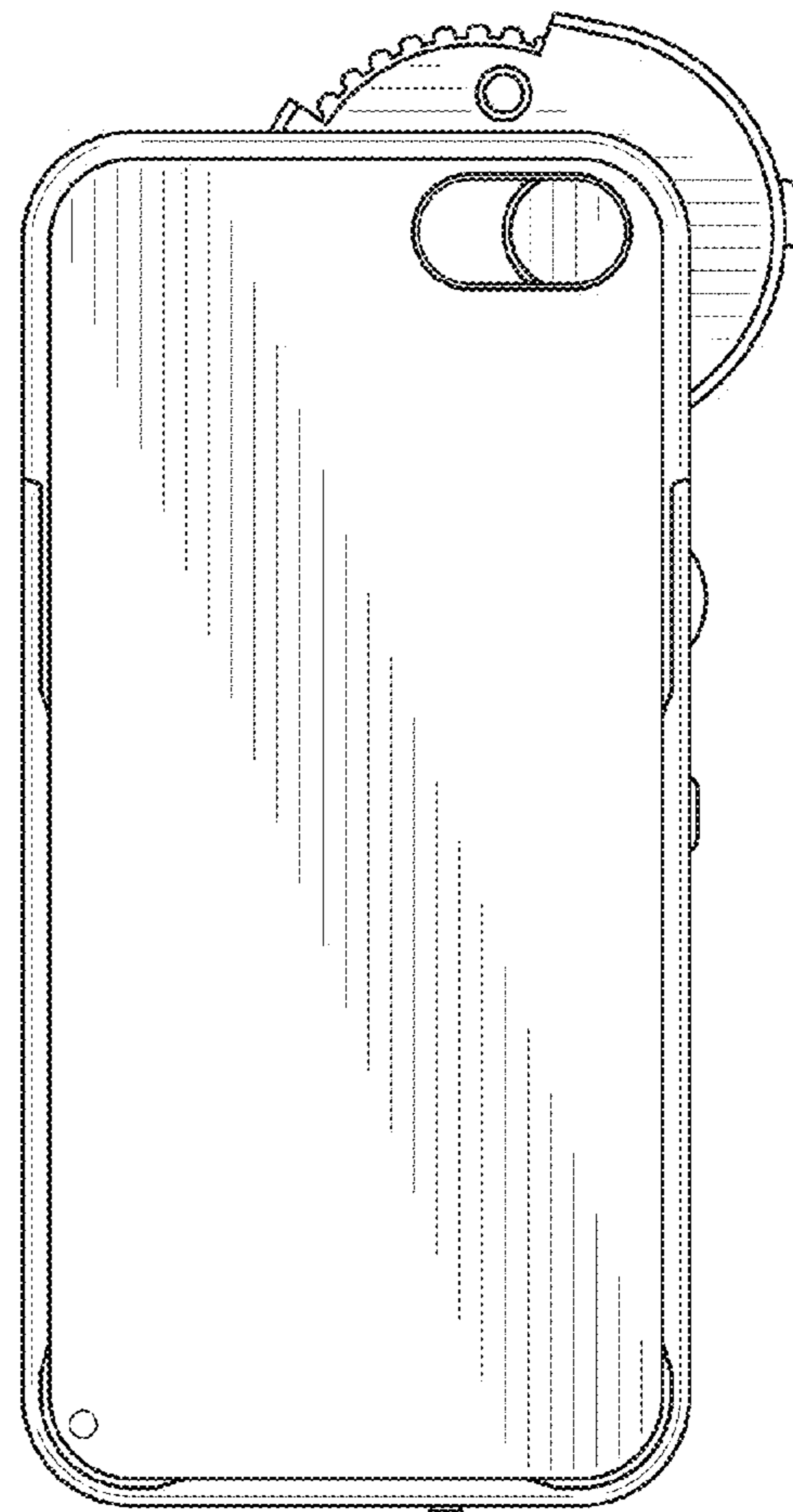


FIG. 4

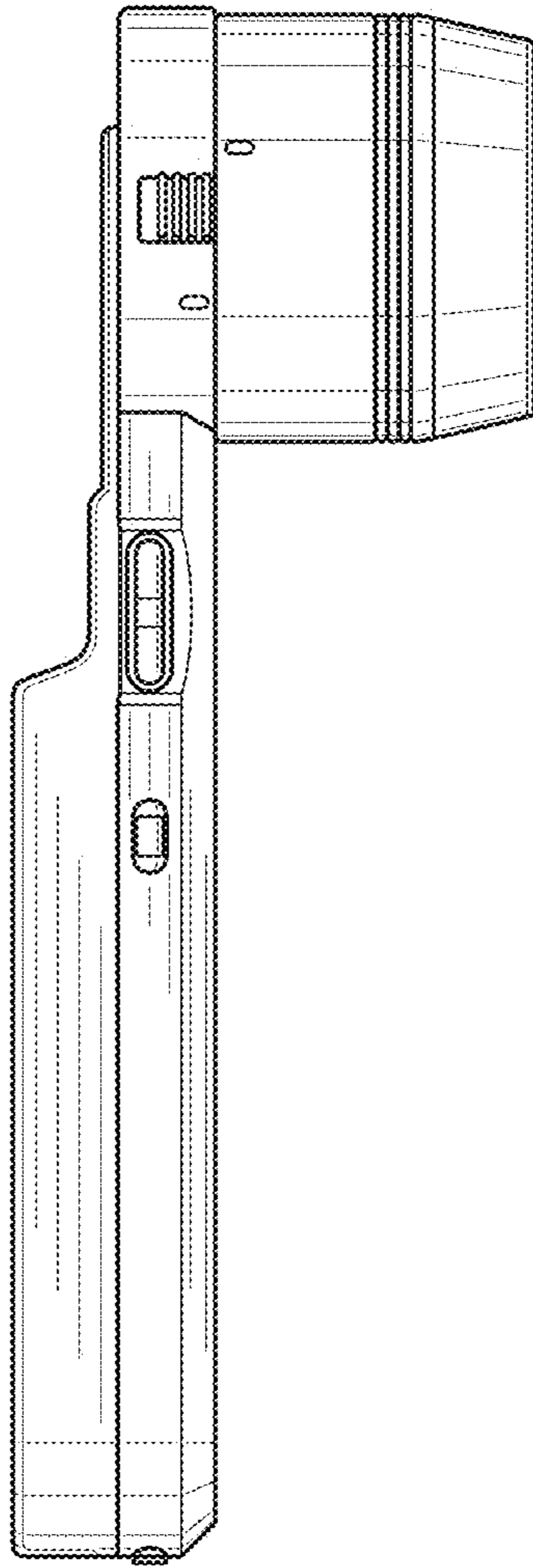


FIG. 5