



US00D757695S

(12) **United States Design Patent**
Hurles et al.

(10) **Patent No.:** **US D757,695 S**
(45) **Date of Patent:** **** May 31, 2016**

(54) **HELMET-DUST PLUG**

D685,327 S * 7/2013 Rayner D13/133
D702,187 S * 4/2014 Caballero D13/133
2011/0039449 A1* 2/2011 Montena H01R 9/0524
439/585

(71) Applicants: **William John Hurles**, Milford, MI
(US); **Nan Jiang**, Novi, MI (US); **James
Phillip Purrington, Jr.**, Royal Oak, MI
(US)

OTHER PUBLICATIONS

Pinterest, <http://www.pinterest.com/pin/542472717587503939/>.
Etsy, <http://www.etsy.com/listing/161980119/jets-football-cellphone-charm-is-for>.
Ebay Images, [http://i.ebayimg.com/t/JACKSONVILLE-JAGUARS-FOOTBALL-Cell-Phone-Charm-ANTI-DUST-COVER-Plug-Cap-IPhone-/00/s/OTU1WDEwMjQ=/\\$T2eC16V,!EE9s2ugjKiBQ+-b6di4w--60_35.JPG](http://i.ebayimg.com/t/JACKSONVILLE-JAGUARS-FOOTBALL-Cell-Phone-Charm-ANTI-DUST-COVER-Plug-Cap-IPhone-/00/s/OTU1WDEwMjQ=/$T2eC16V,!EE9s2ugjKiBQ+-b6di4w--60_35.JPG).

(72) Inventors: **William John Hurles**, Milford, MI
(US); **Nan Jiang**, Novi, MI (US); **James
Phillip Purrington, Jr.**, Royal Oak, MI
(US)

(**) Term: **14 Years**

* cited by examiner

(21) Appl. No.: **29/483,798**

Primary Examiner — Rosemary K Tarcza

Assistant Examiner — Sanjeev Paul

(22) Filed: **Mar. 3, 2014**

(74) *Attorney, Agent, or Firm* — Dickinson Wright PLLC

(51) **LOC (10) Cl.** **14-03**

(57) **CLAIM**

(52) **U.S. Cl.**
USPC **D14/240**

The ornamental design for a helmet-dust plug, as shown and described.

(58) **Field of Classification Search**
USPC D13/133, 154, 156, 149, 184, 199;
D14/240; 439/13, 20, 22, 135, 246,
439/306, 480, 476.1, 578, 583–585, 805
CPC H01R 9/0524; H01R 24/58
See application file for complete search history.

DESCRIPTION

FIG. 1 is a perspective view of the helmet-dust plug;
FIG. 2 is a top view of the helmet-dust plug of FIG. 1;
FIG. 3 is a right side view of the helmet-dust plug of FIG. 1,
the left side opposite being a mirror image;
FIG. 4 is a front view of the helmet-dust plug of FIG. 1;
FIG. 5 is a bottom view of the helmet-dust plug of FIG. 1;
FIG. 6 is a back view of the helmet-dust plug of FIG. 1; and,
FIG. 7 is a perspective view of the helmet-dust plug used in
connection with a cell phone.

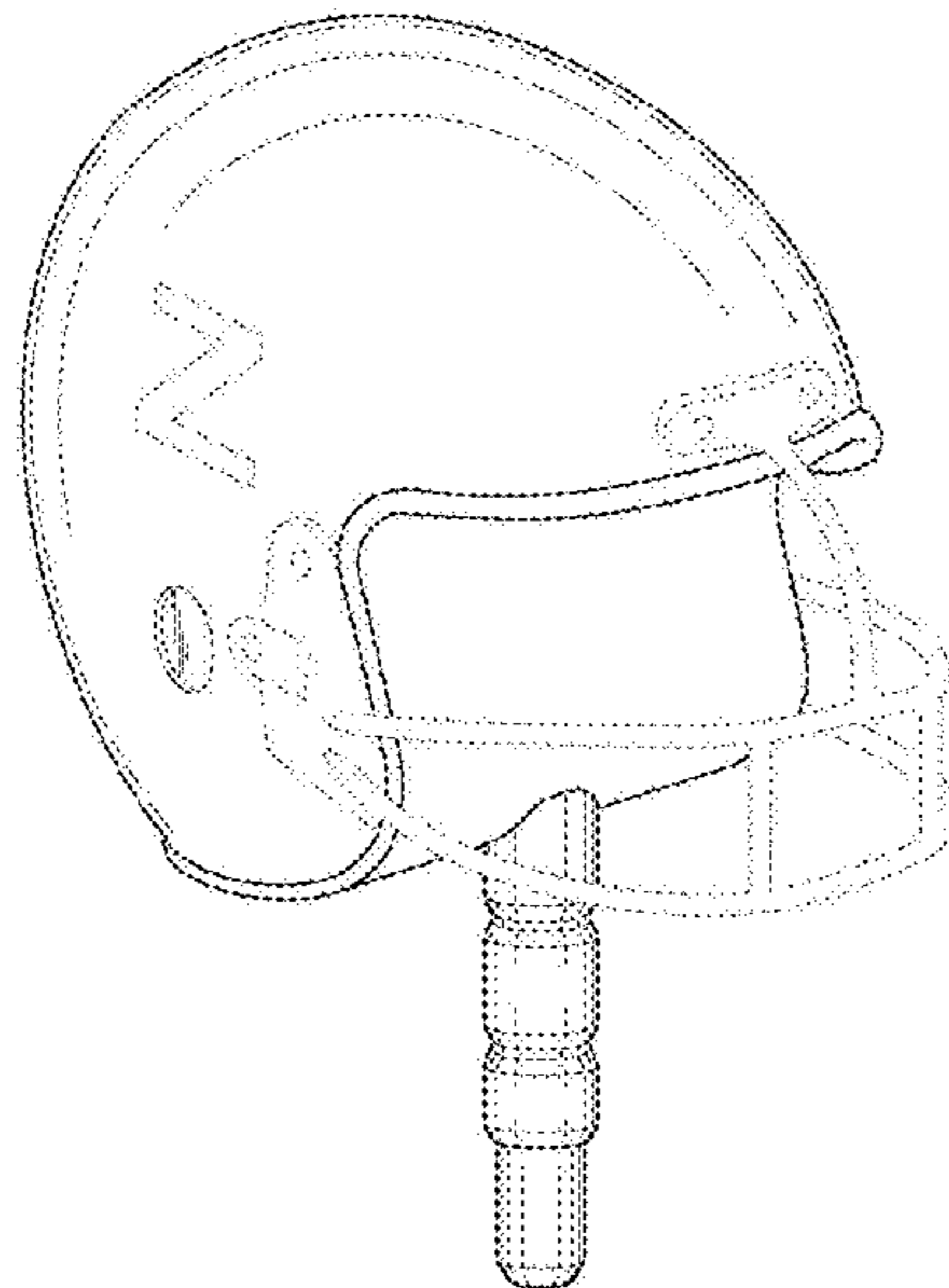
The broken lines shown in the drawings are included for the
purpose of illustrating environmental structure and form no
part of the claimed design.

(56) **References Cited**

U.S. PATENT DOCUMENTS

D321,845 S 11/1991 Nys
D332,507 S 1/1993 Anderson et al.
D516,509 S * 3/2006 Baker D13/133
D582,349 S * 12/2008 Baker D13/133
D582,350 S * 12/2008 Baker D13/133
D675,985 S * 2/2013 Izen D13/133

1 Claim, 4 Drawing Sheets



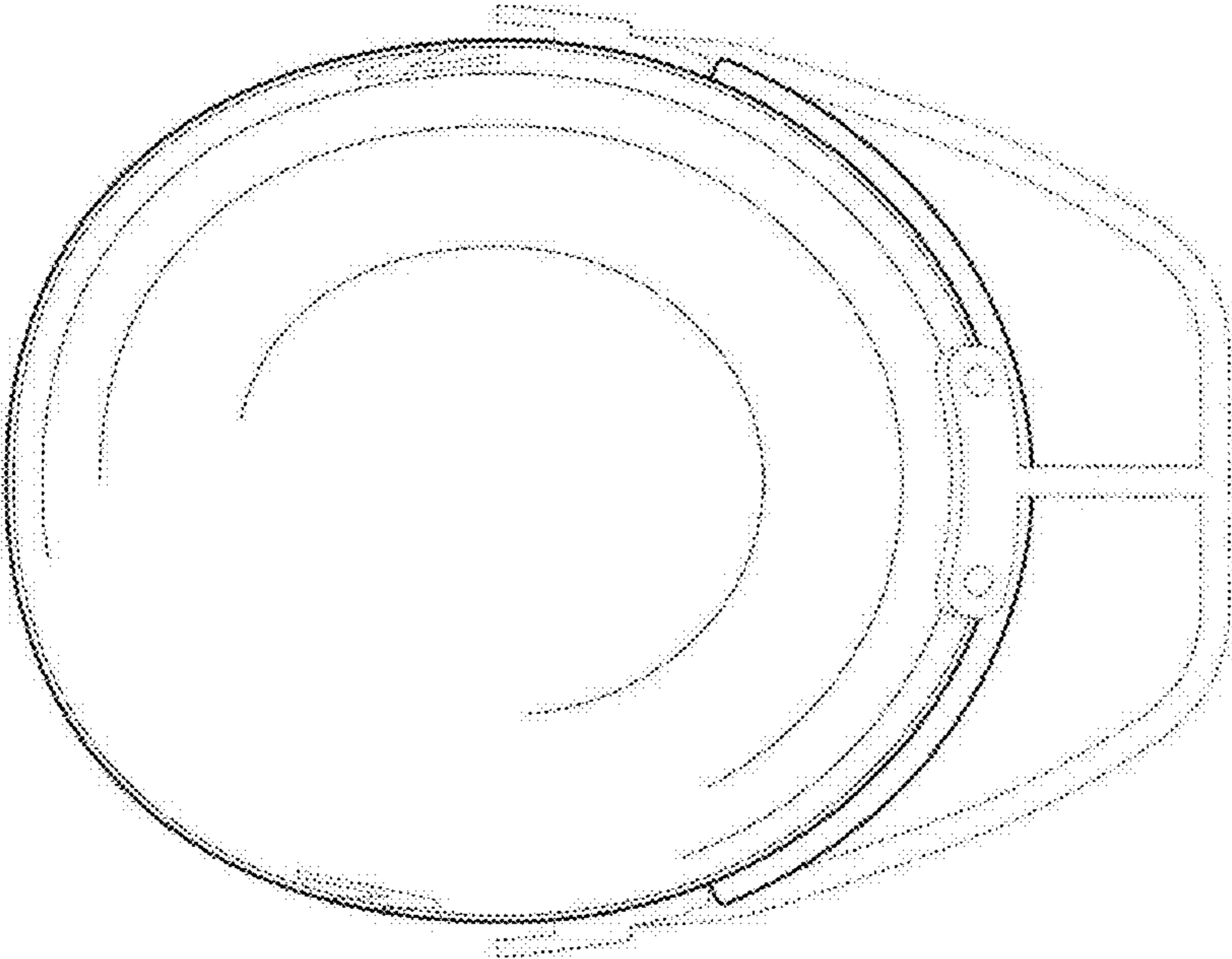


FIG. 2

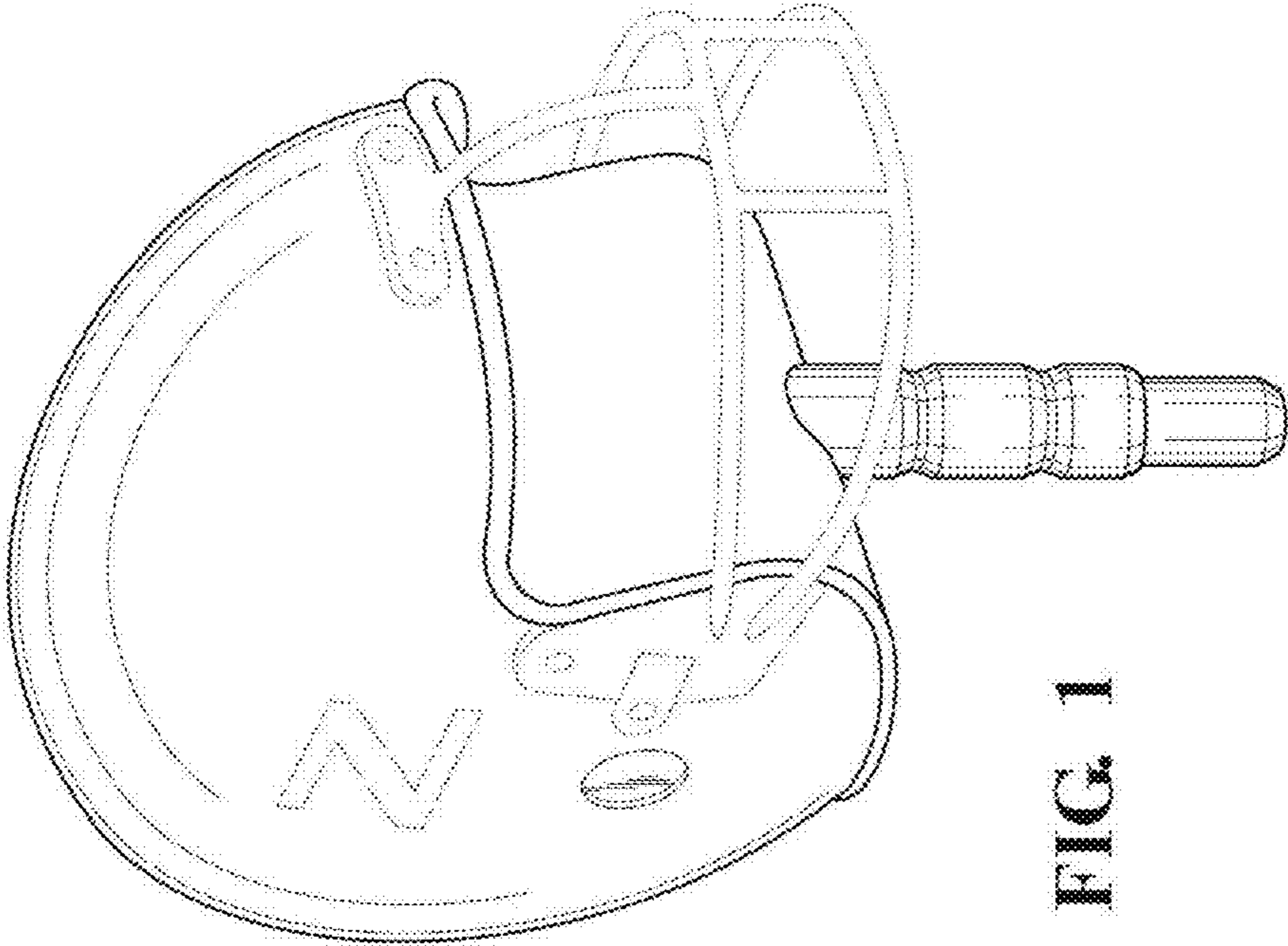


FIG. 1

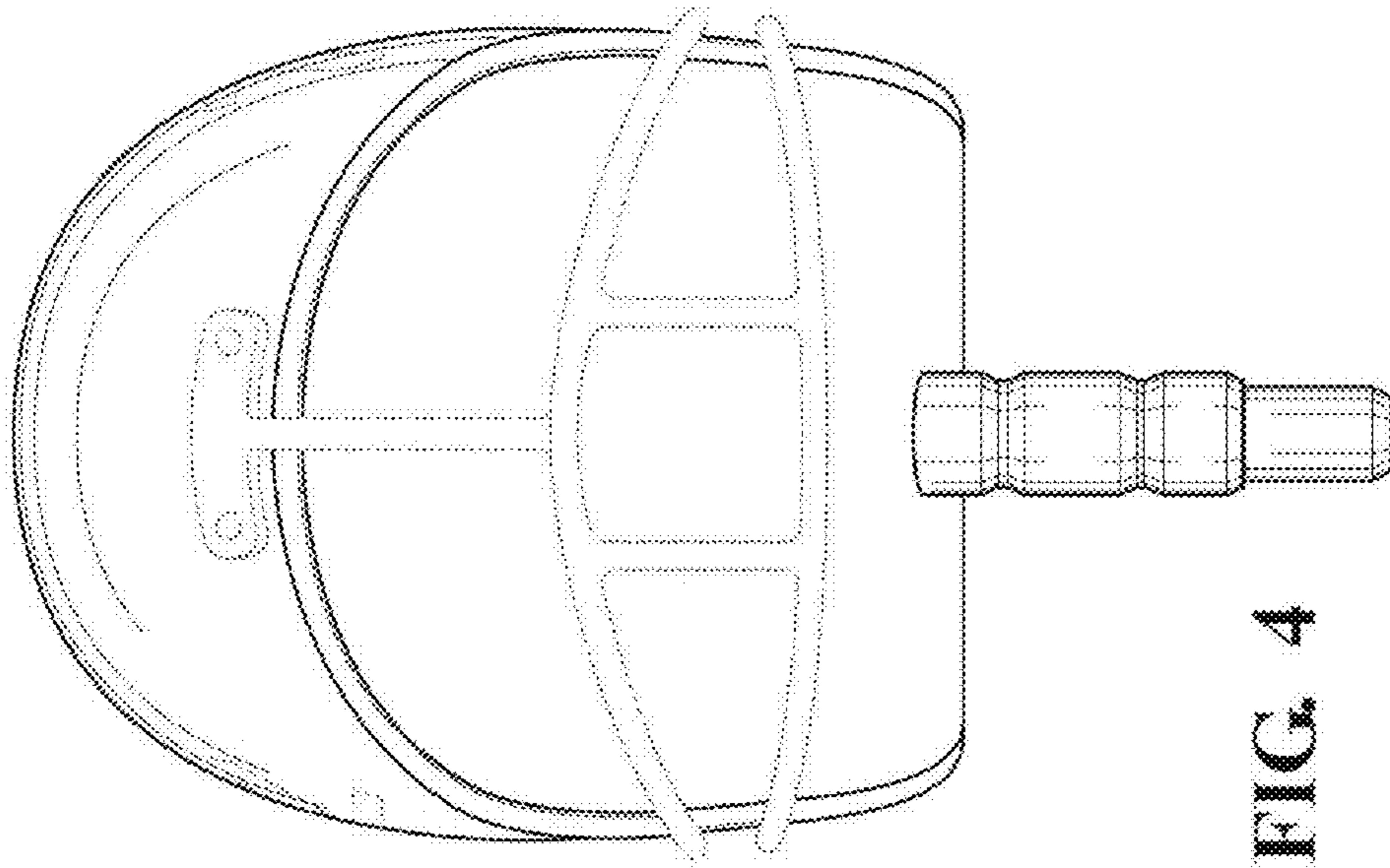


FIG. 4

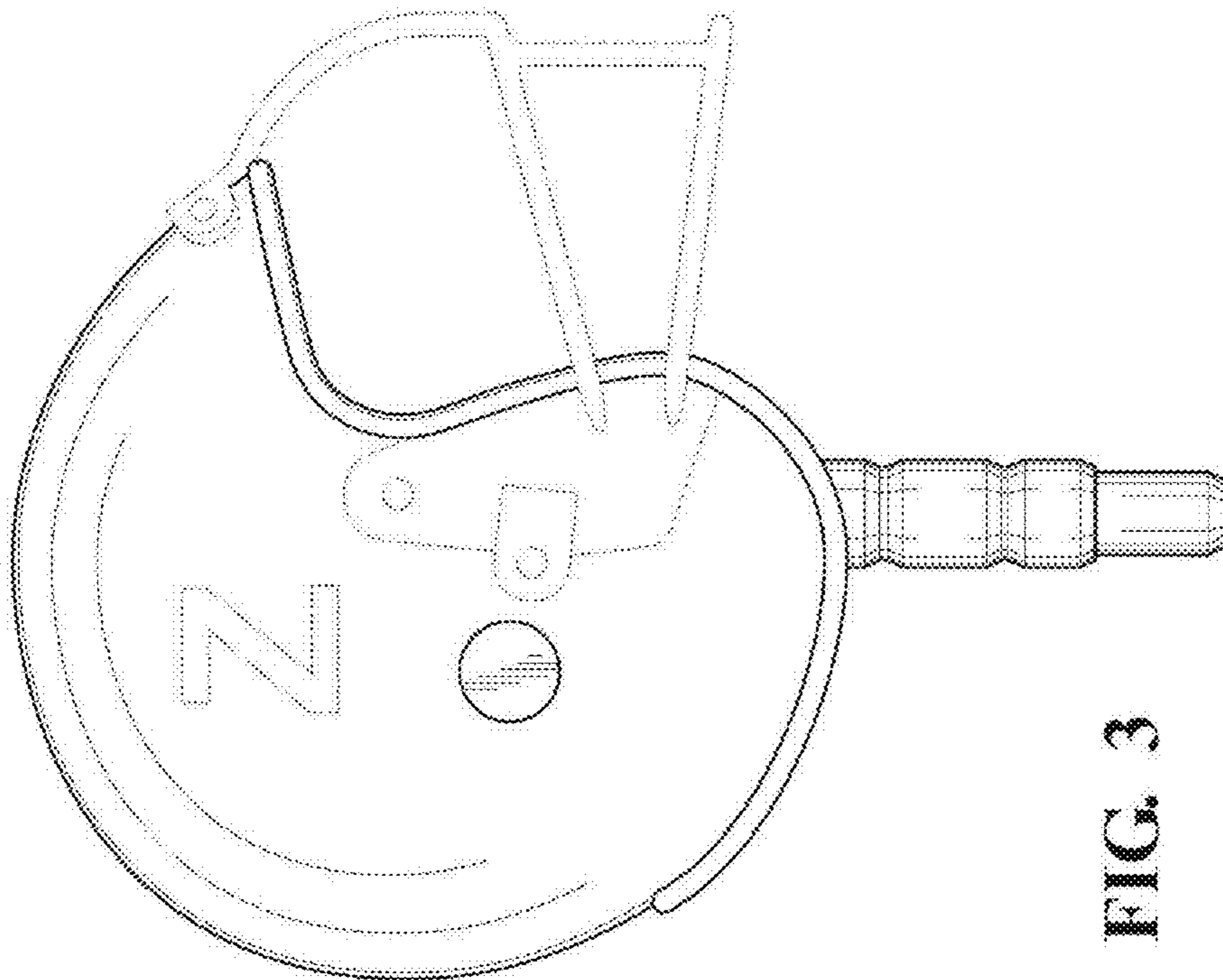


FIG. 3

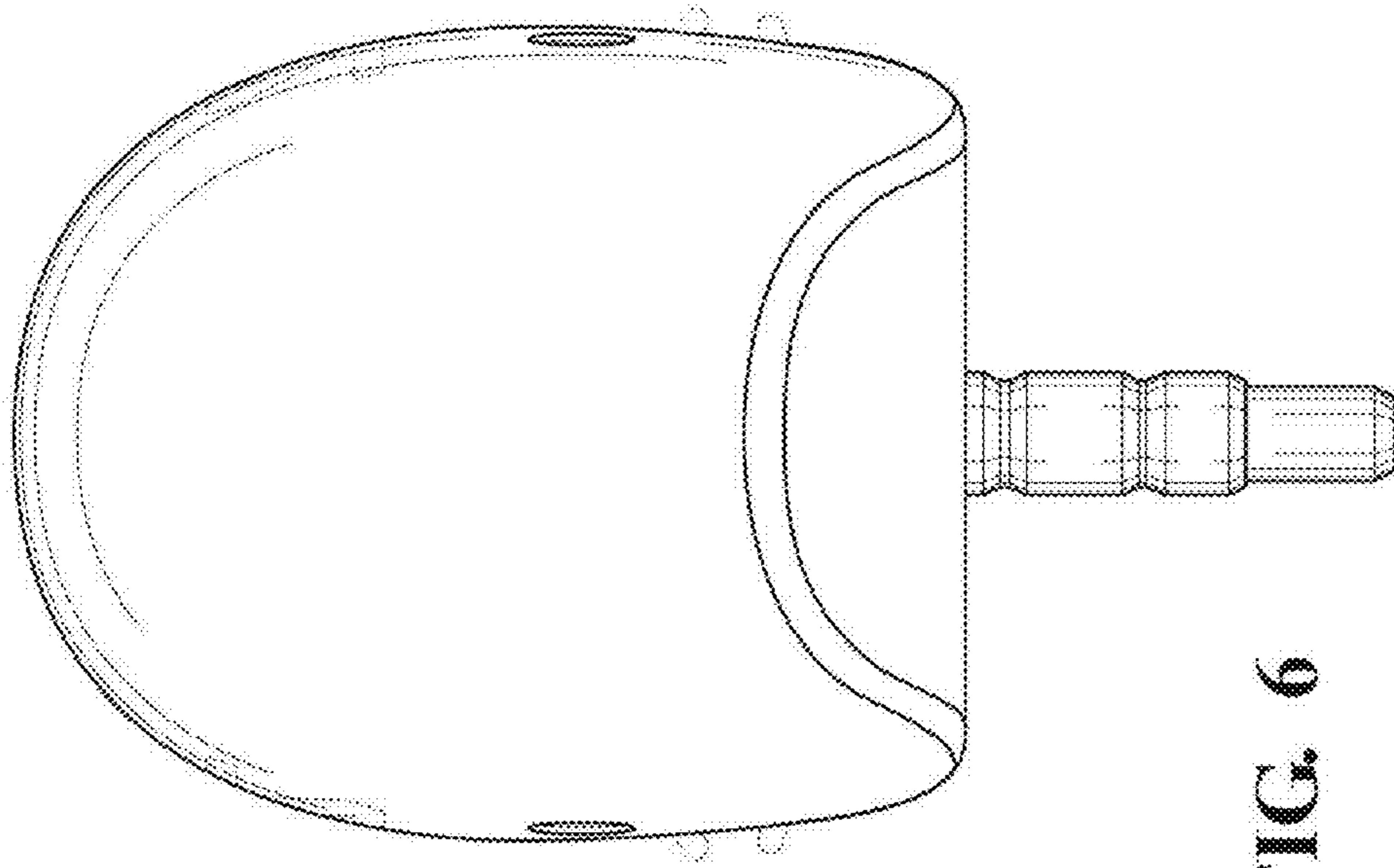


FIG. 6

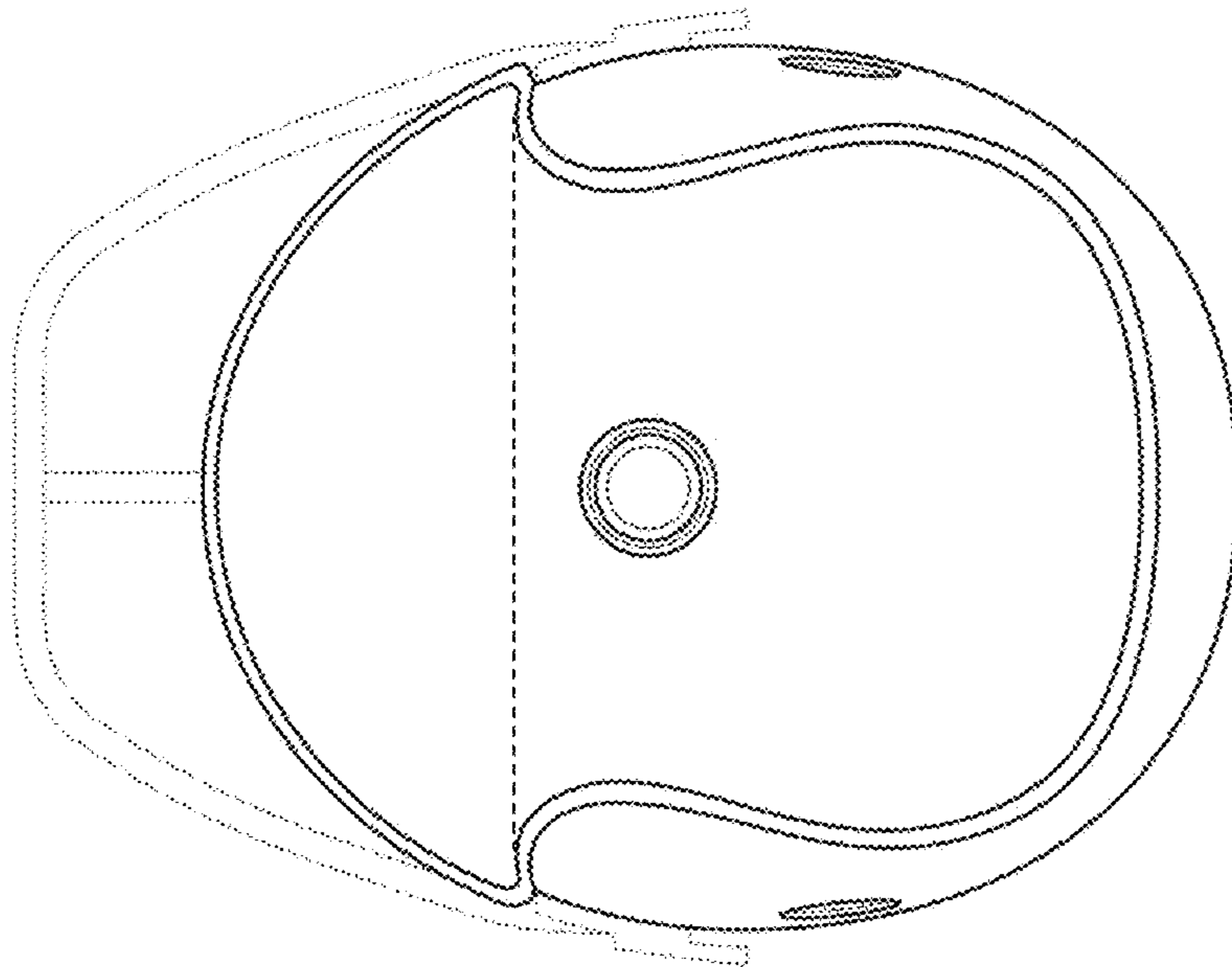


FIG. 5

FIG. 7

