



US00D757692S

(12) **United States Design Patent**  
**Maxwell et al.**

(10) **Patent No.:** **US D757,692 S**

(45) **Date of Patent:** **\*\* May 31, 2016**

(54) **REMOTE CONTROL DEVICE FOR A VIDEO PHONE**

(56) **References Cited**

U.S. PATENT DOCUMENTS

(71) Applicant: **Sorenson Communications, Inc.**, Salt Lake City, UT (US)

5,481,256 A \* 1/1996 Darbee ..... G08C 19/28 341/176

(72) Inventors: **Conrad Arlo Maxwell**, Herriman, UT (US); **Eric V. Winsor**, West Jordan, UT (US); **Mark David Nelson**, West Jordan, UT (US); **Merle L. Walker**, Sandy, UT (US); **Brent Carlen Giles**, Salt Lake City, UT (US); **Elie Mathias Monge**, San Francisco, CA (US); **Sean Patrick Murphy**, San Francisco, CA (US); **Shannon Colleen Fong**, San Francisco, CA (US); **Alice Viola Pintus**, Milan (IT); **Thomas Mitchell Dair**, Lafayette, CA (US)

D372,716 S 8/1996 Thorne  
D379,816 S 6/1997 Laituri et al.  
D387,766 S 12/1997 Schultz et al.  
D396,232 S 7/1998 Renk et al.  
D425,899 S 5/2000 Dent  
D462,340 S 9/2002 Allen et al.  
D463,788 S 10/2002 Smith et al.  
D464,335 S 10/2002 Glodava et al.  
D466,108 S 11/2002 Glodava et al.  
D476,975 S 7/2003 Rodriquez, Sr.  
D489,710 S 5/2004 Corander  
D498,749 S 11/2004 Borsboom  
D499,396 S 12/2004 Lin  
D504,417 S 4/2005 Reza et al.  
D504,677 S 5/2005 Kaminski et al.

(Continued)

*Primary Examiner* — Ralf Seifert

(73) Assignee: **Sorenson Communications, Inc.**, Salt Lake City, UT (US)

(74) *Attorney, Agent, or Firm* — TraskBritt

(\*\*) Term: **14 Years**

(57) **CLAIM**

The ornamental design for a remote control device for a video phone, substantially as shown and described.

(21) Appl. No.: **29/518,647**

**DESCRIPTION**

(22) Filed: **Feb. 25, 2015**

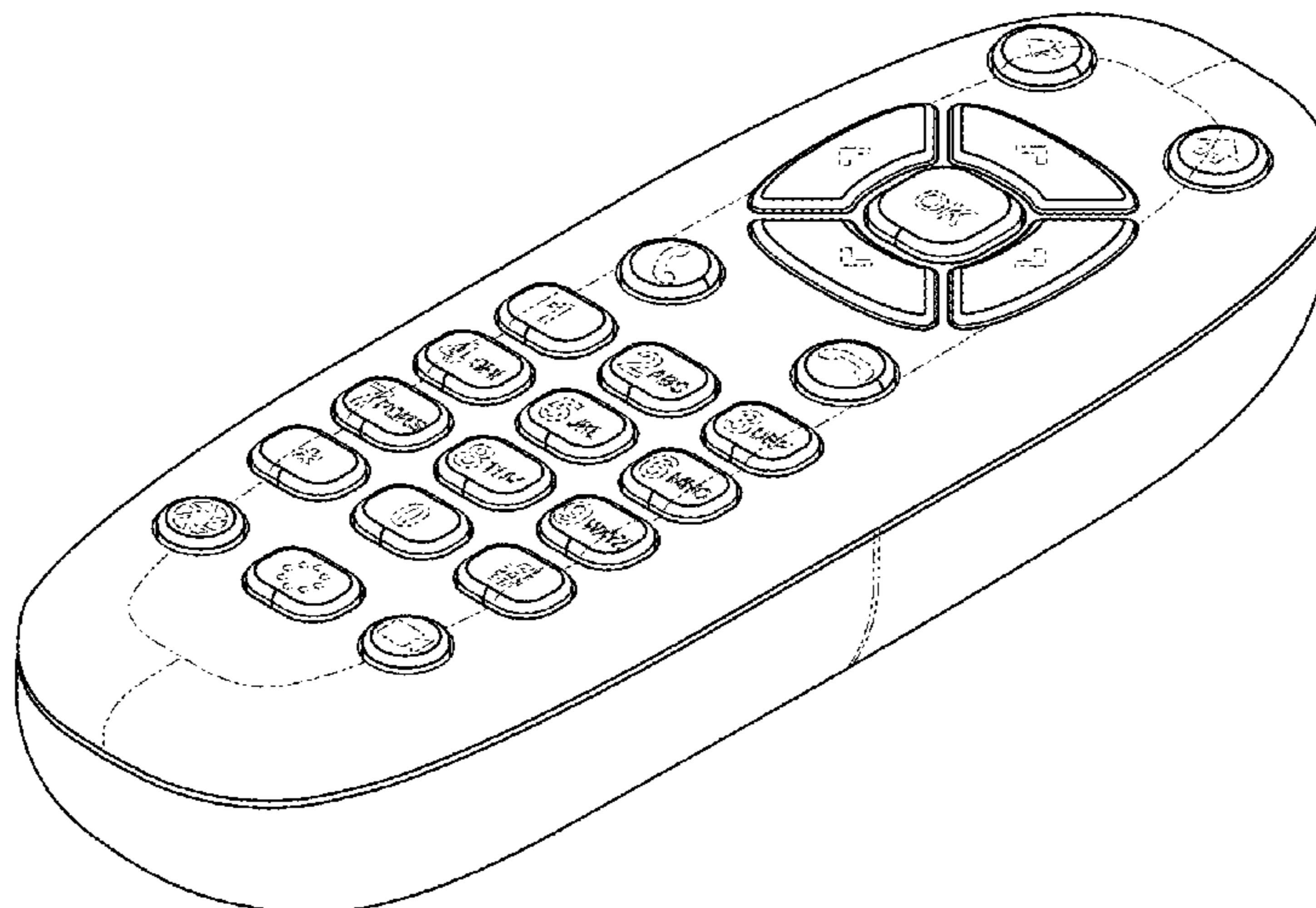
(51) **LOC (10) Cl.** ..... **14-03**

(52) **U.S. Cl.**  
USPC ..... **D14/218**

(58) **Field of Classification Search**  
USPC ..... D14/137, 174, 217–218, 240, 247, D14/388–390, 396, 511; D21/516; D13/162–164, 168; 715/738; 434/350; 600/323; 348/211.99, 14.05, 114, 734; 341/175–176; 455/575.1  
CPC ..... G08C 23/04; G08C 19/12; H04N 5/44; H04L 17/02  
See application file for complete search history.

FIG. 1 is a perspective view of a remote control device for a video phone;  
FIG. 2 is a top view of the remote control device of FIG. 1;  
FIG. 3 is a bottom view of the remote control device of FIG. 1;  
FIG. 4 is a left side view of the remote control device of FIG. 1;  
FIG. 5 is a right side view of the remote control device of FIG. 1;  
FIG. 6 is a back view of the remote control device of FIG. 1; and,  
FIG. 7 is a front view of the remote control device of FIG. 1. The broken lines in FIGS. 1-7 do not form any part of the claimed design and are for environmental purposes.

**1 Claim, 4 Drawing Sheets**



(56)

**References Cited**

U.S. PATENT DOCUMENTS

D504,886 S	5/2005	Yasutomi	D563,948 S	3/2008	d'Hoore	
D515,072 S	2/2006	Lee	D567,804 S	4/2008	Yan	
D515,557 S	2/2006	Okuley	D572,207 S	7/2008	Chen	
D516,545 S	3/2006	Lai	D572,705 S	7/2008	Kuether et al.	
D517,050 S	3/2006	Mabry et al.	D573,982 S	7/2008	Monsky	
D517,530 S	3/2006	Mabry et al.	D580,916 S	11/2008	Huang	
D517,531 S	3/2006	Lai	D582,895 S	12/2008	Frazer	
D518,475 S	4/2006	Yang et al.	D585,877 S	2/2009	Knight	
D519,989 S	5/2006	Wu	D594,850 S	6/2009	Yan	
D521,501 S	5/2006	Miller et al.	D601,129 S	9/2009	Maruska et al.	
D523,421 S	6/2006	Figuroa	D603,842 S	11/2009	Bruce et al.	
D524,298 S	7/2006	Hedderich et al.	D614,605 S	4/2010	Teh et al.	
D527,375 S	8/2006	Flora	D622,703 S	8/2010	Cheng Teh et al.	
D528,103 S	9/2006	Mabry et al.	D628,983 S	12/2010	VanDuyn et al.	
D533,164 S	12/2006	Knight et al.	D629,392 S	12/2010	Chiu	
D533,165 S	12/2006	Knight et al.	D630,190 S	1/2011	Daniels	
D540,268 S	4/2007	Derocher et al.	D638,825 S	5/2011	VanDuyn et al.	
D549,185 S	8/2007	Tan	D647,887 S	11/2011	Dawson et al.	
D551,659 S	9/2007	Shih et al.	D649,531 S	11/2011	Dawson et al.	
			D679,680 S	4/2013	Wood et al.	
			D697,498 S *	1/2014	Forde .....	D14/218
			D714,738 S *	10/2014	Hu .....	D13/168

\* cited by examiner

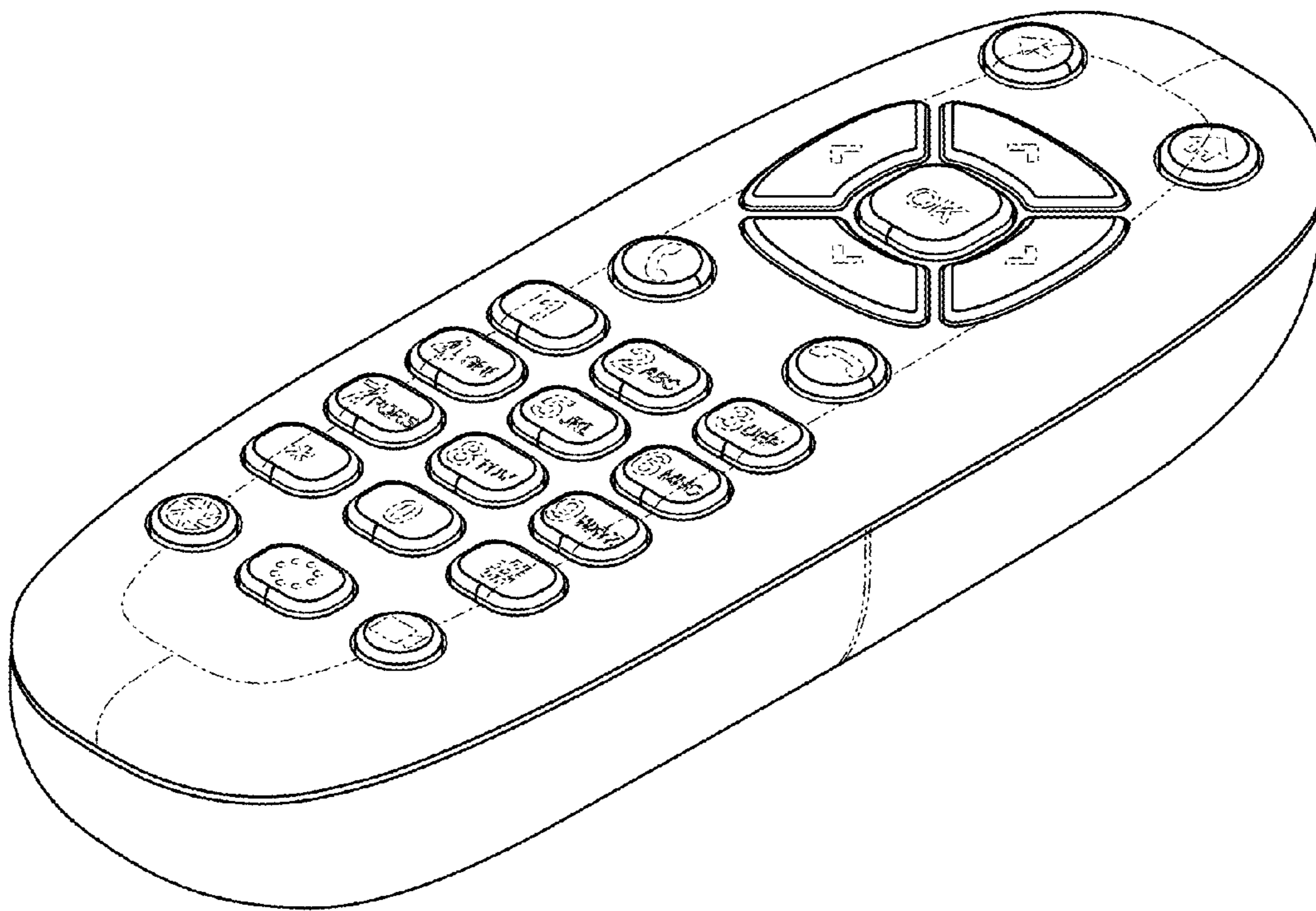


FIG. 1

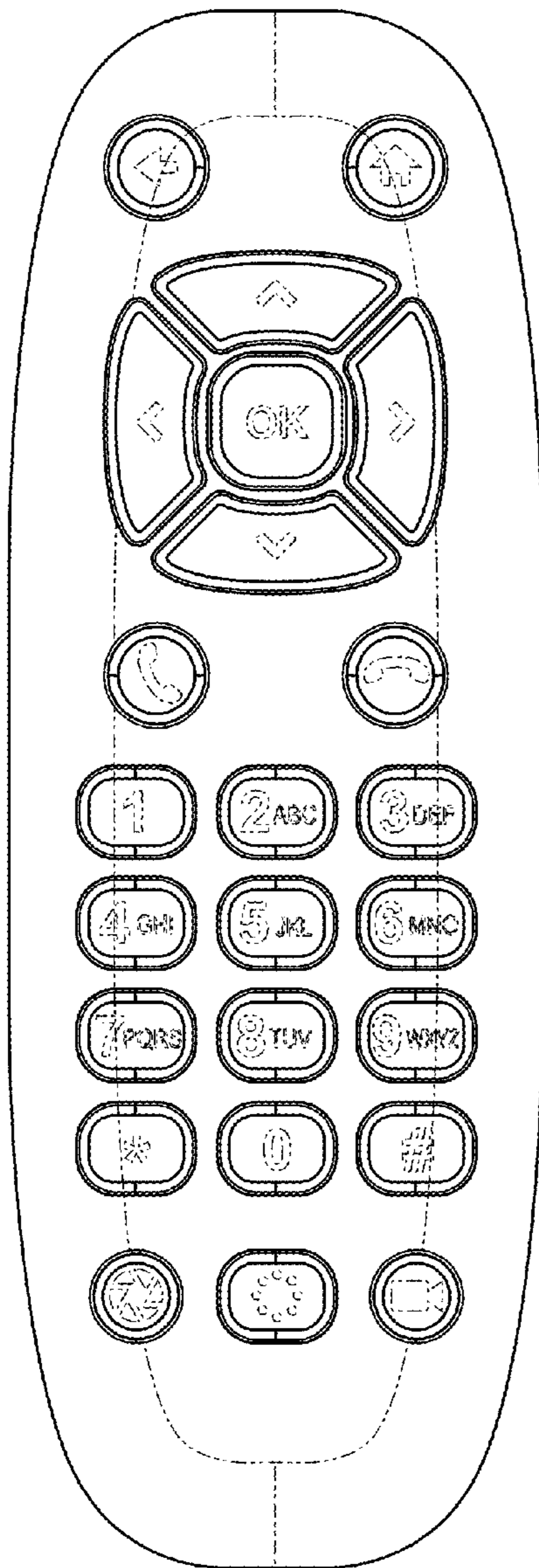


FIG. 2

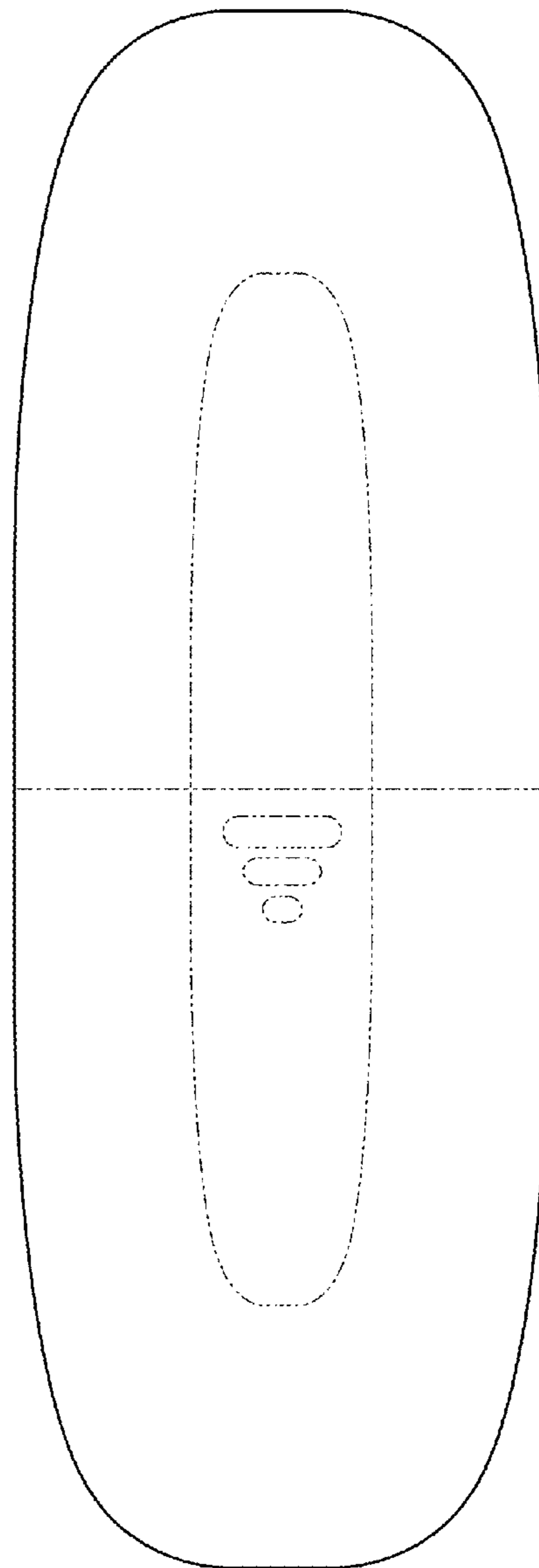
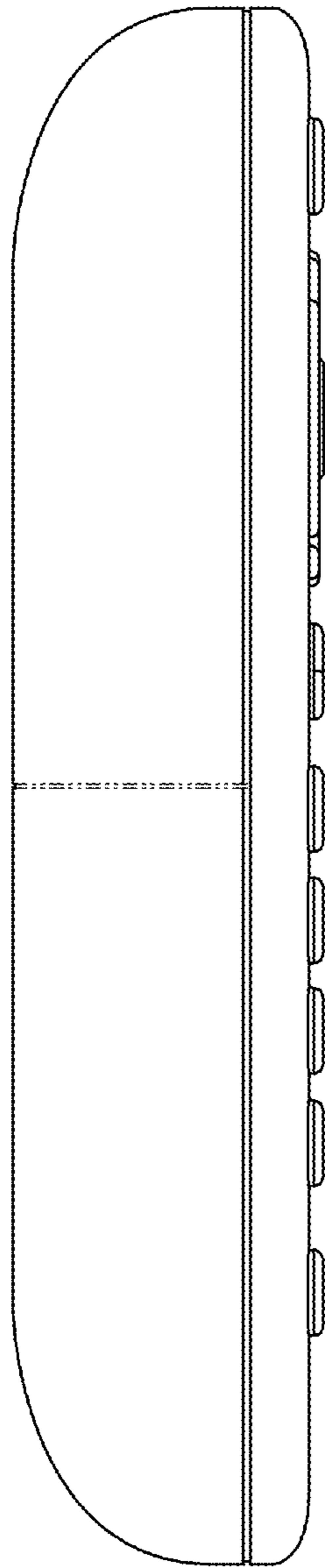
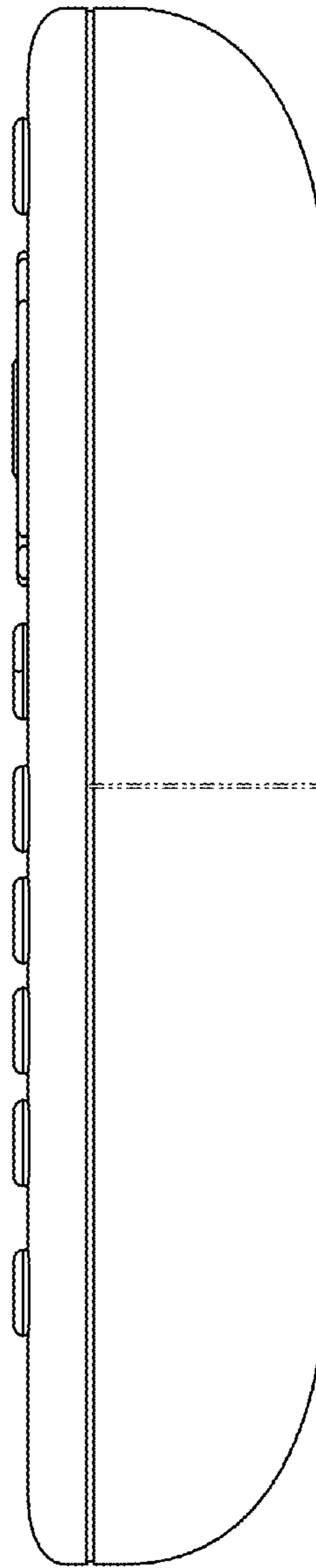


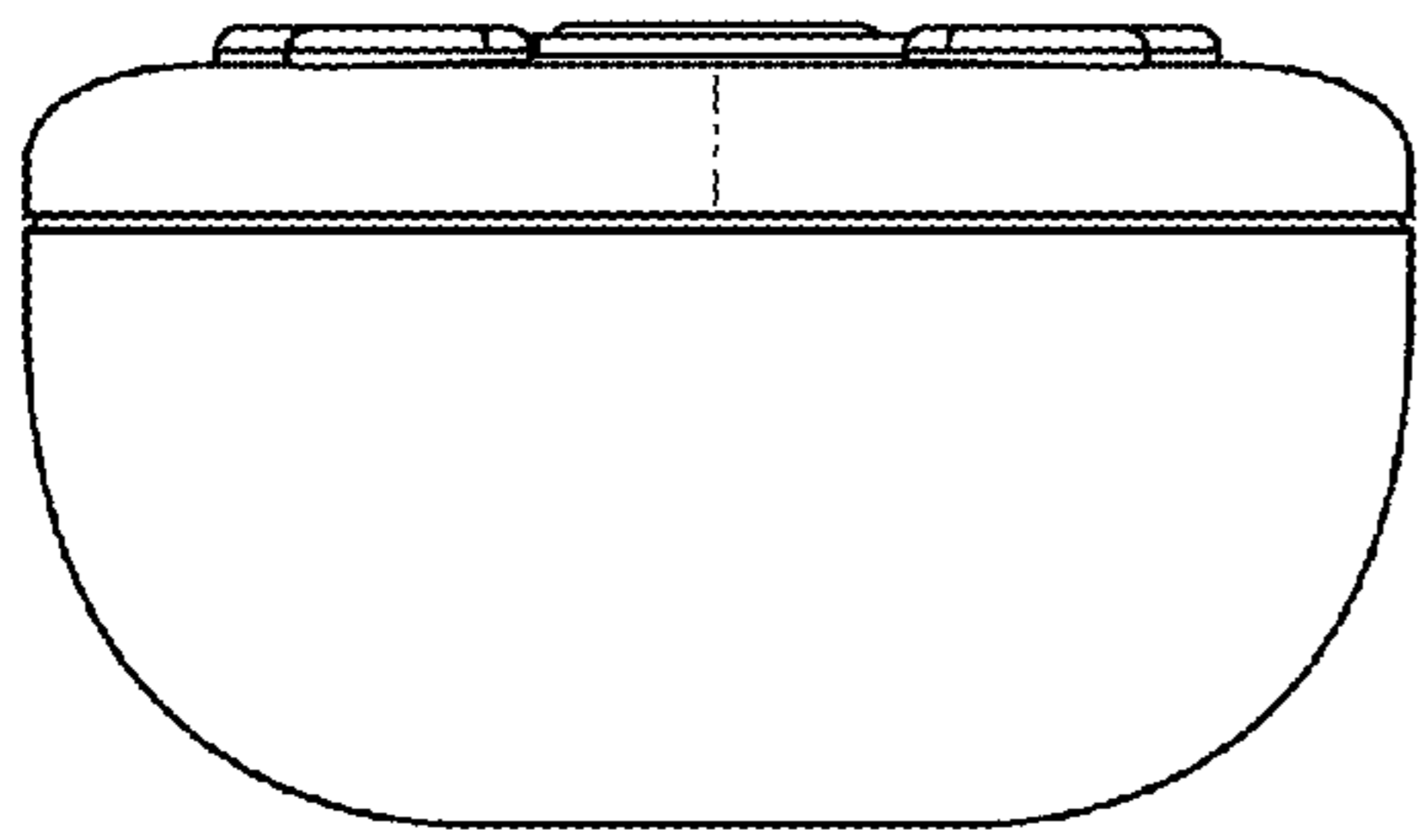
FIG. 3



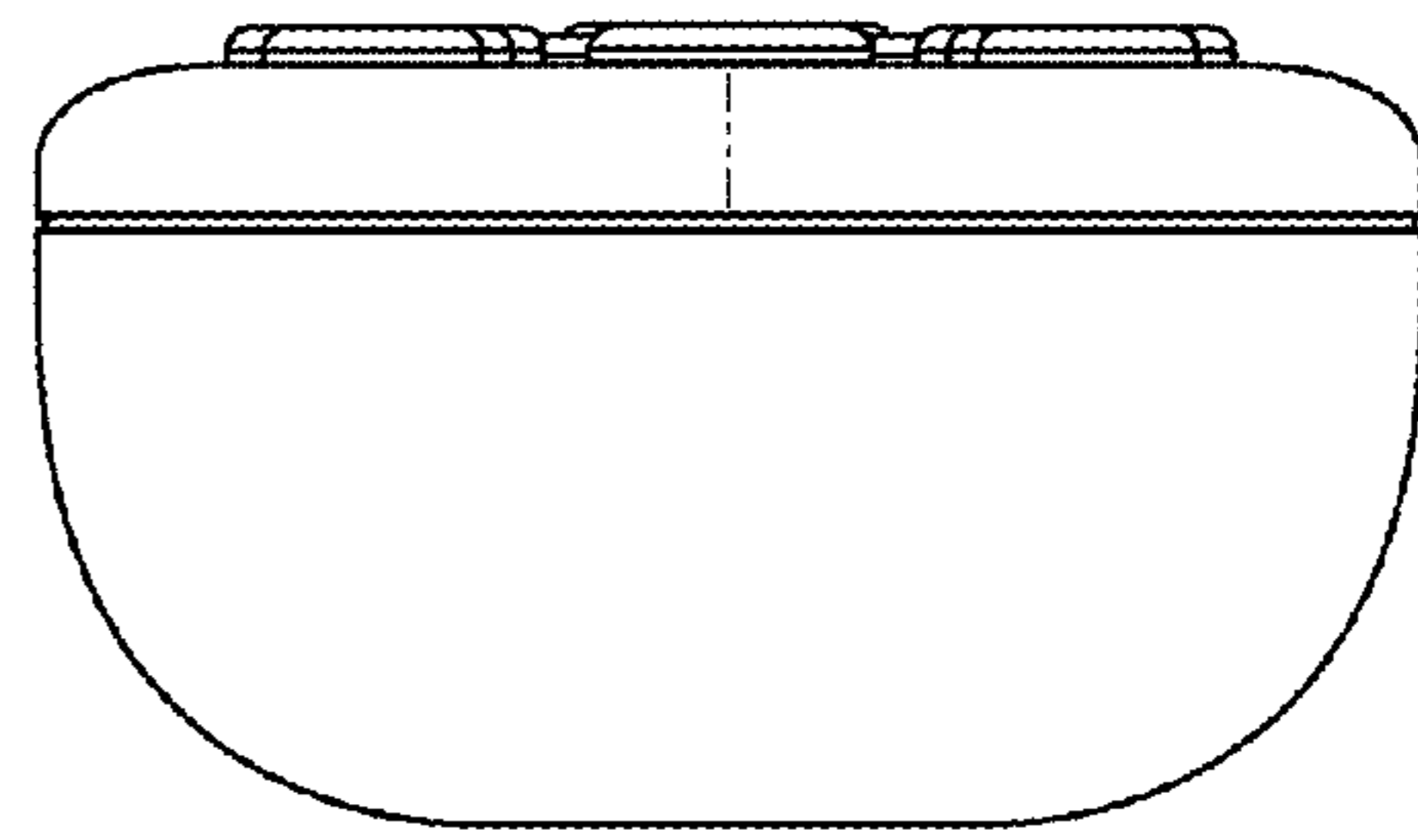
**FIG. 4**



**FIG. 5**



**FIG. 6**



**FIG. 7**

UNITED STATES PATENT AND TRADEMARK OFFICE  
**CERTIFICATE OF CORRECTION**

PATENT NO. : D757,692 S  
APPLICATION NO. : 29/518647  
DATED : May 31, 2016  
INVENTOR(S) : Conrad Arlo Maxwell et al.

Page 1 of 1

It is certified that error appears in the above-identified patent and that said Letters Patent is hereby corrected as shown below:

On the Title Page

In Item (72) Inventors:

Line 4: change "Merle L. Walker" to --Merle L. Walker III--

Signed and Sealed this  
Twenty-third Day of May, 2017



Michelle K. Lee  
*Director of the United States Patent and Trademark Office*