



US00D757689S

(12) **United States Design Patent**
Misik

(10) **Patent No.:** **US D757,689 S**

(45) **Date of Patent:** **** May 31, 2016**

(54) **PORTABLE LOUDSPEAKER**

(71) Applicant: **Otone Audio Limited**, Altrincham,
Cheshire (GB)

(72) Inventor: **Frederic Misik**, Madrid (ES)

(73) Assignee: **Otone Audio Limited**, Altrincham,
Cheshire (GB)

(**) Term: **14 Years**

(21) Appl. No.: **29/515,251**

(22) Filed: **Jan. 21, 2015**

(30) **Foreign Application Priority Data**

Jul. 21, 2014 (EM) 25063600001

Jul. 21, 2014 (EM) 25063600002

Aug. 12, 2014 (EM) 25928160001

(51) **LOC (10) Cl.** **14-03**

(52) **U.S. Cl.**
USPC **D14/216**

(58) **Field of Classification Search**

USPC D14/172, 194–196, 204, 207, 210–216;
181/143, 144, 147, 148, 150, 153, 157,
181/198, 199; 381/300–303, 306, 332, 333,
381/336, 345, 361–364, 386–388
CPC B60R 11/0217; G06F 1/1688; G10K 9/22;
G10K 11/004; H03F 1/327; H04M 1/03;
H04M 1/035; H04N 5/642; H04N 21/4852;
H04R 1/02; H04R 1/06; H04R 1/021; H04R
1/025; H04R 1/026; H04R 1/028; H04R
1/105; H04R 1/323; H04R 1/403; H04R
1/2803; H04R 1/2834; H04R 5/02; H04R
7/20; H04R 9/06; H04R 9/025; H04R
2201/021; H04R 2400/00; H04R 2400/07;
H04R 2499/11; H04R 2499/13; H04R
2499/15; H04S 3/00; H04S 7/30

See application file for complete search history.

(56) **References Cited**

U.S. PATENT DOCUMENTS

D593,540 S * 6/2009 Skurdal D14/209.1
D689,038 S * 9/2013 Poandl D14/172
D695,268 S * 12/2013 Holzer D14/204
D723,515 S * 3/2015 Ang D14/204
D726,155 S * 4/2015 Cheng D14/216

* cited by examiner

Primary Examiner — Keli L Hill

(74) *Attorney, Agent, or Firm* — Woodard Emhardt Moriarty
McNett & Henry LLP

(57) **CLAIM**

I claim the ornamental design for a portable loudspeaker, as
shown and described.

DESCRIPTION

FIG. 1 is a perspective view of a portable loudspeaker show-
ing my new design;

FIG. 2 is a front elevational view thereof;

FIG. 3 is a rear elevational view thereof;

FIG. 4 is a left side elevational view thereof;

FIG. 5 is a right side elevational view thereof;

FIG. 6 is a top plan view thereof; and

FIG. 7 is a bottom plan view thereof.

FIG. 8 is a perspective view of a portable loudspeaker show-
ing a second embodiment of my new design;

FIG. 9 is a front elevational view thereof;

FIG. 10 is a rear elevational view thereof;

FIG. 11 is a left side elevational view thereof;

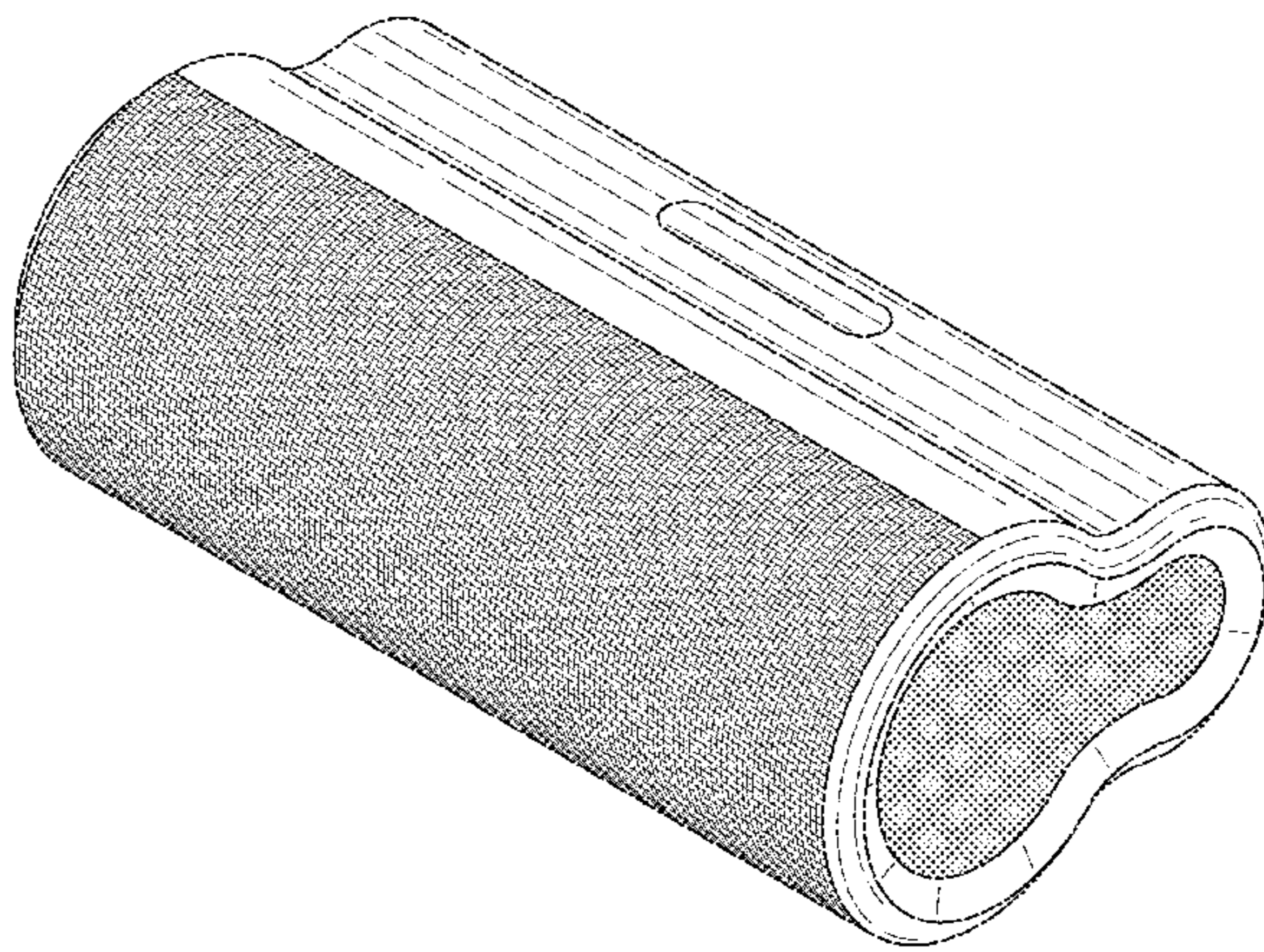
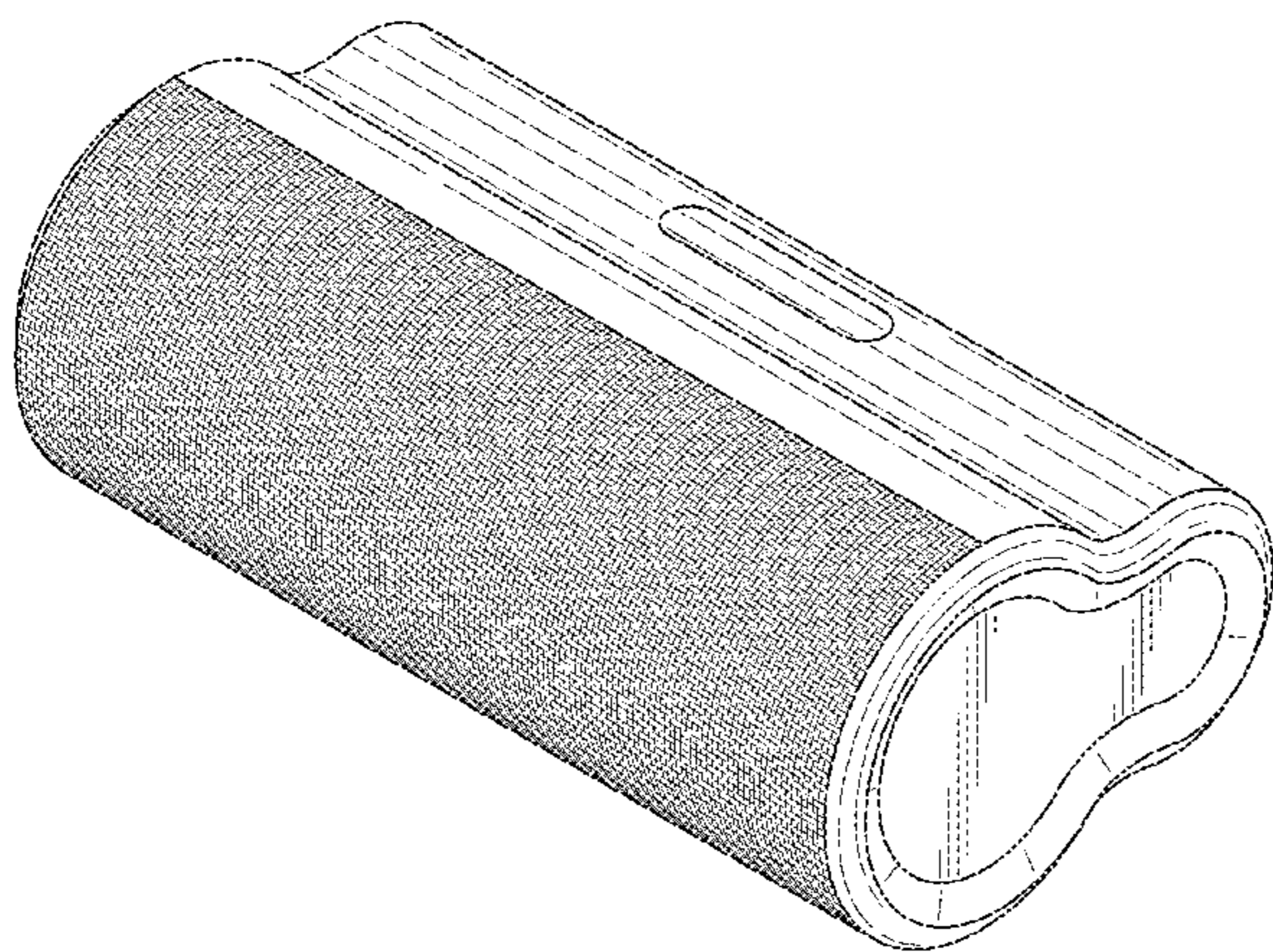
FIG. 12 is a right side elevational view thereof;

FIG. 13 is a top plan view thereof; and,

FIG. 14 is a bottom plan view thereof.

The stippling of the end panels in FIGS. 8, 11 and 12 of the
second embodiment denotes a portion of the article which has
a contrasting appearance relative to the remainder of the
article.

1 Claim, 8 Drawing Sheets



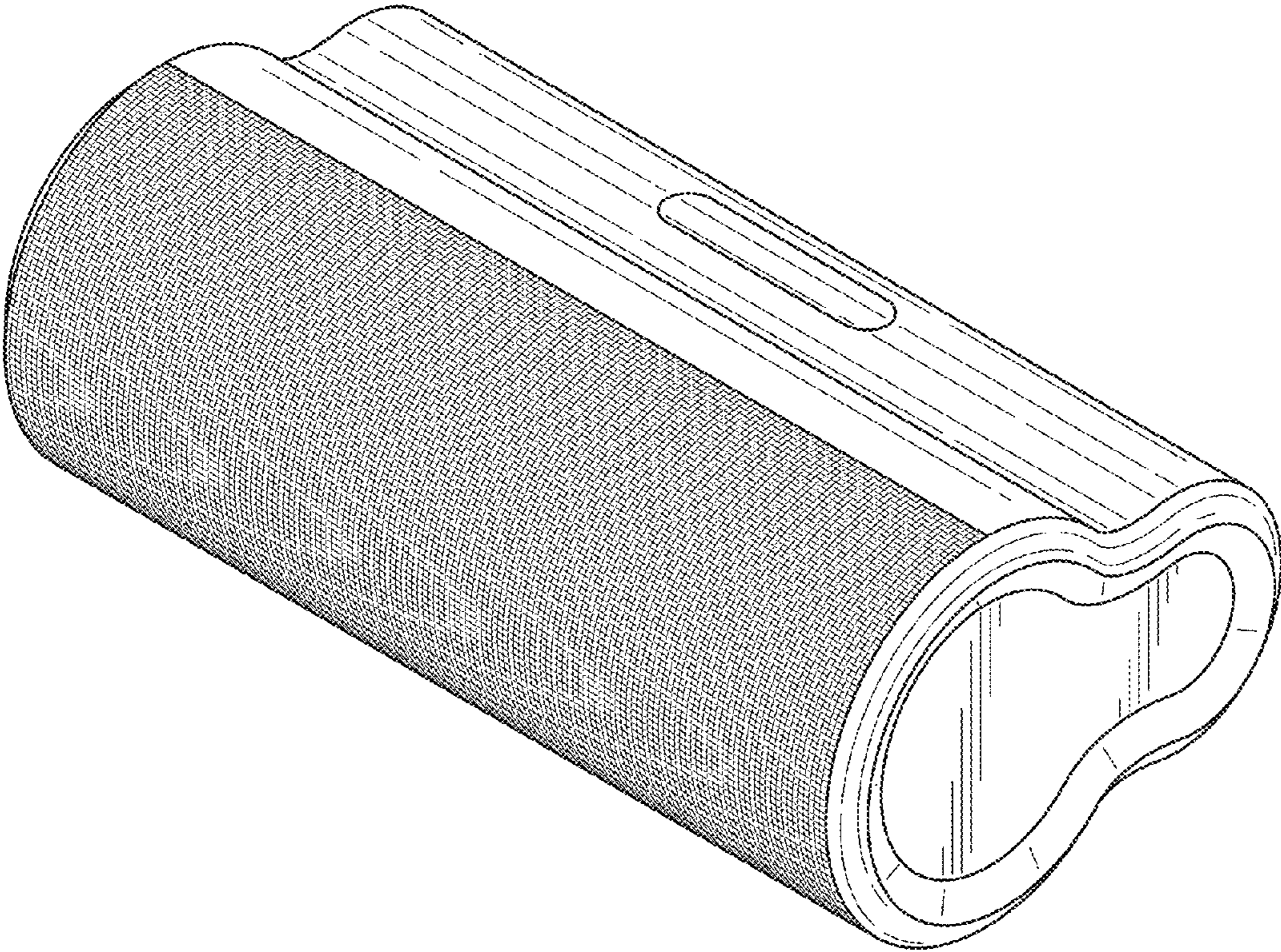


FIG. 1

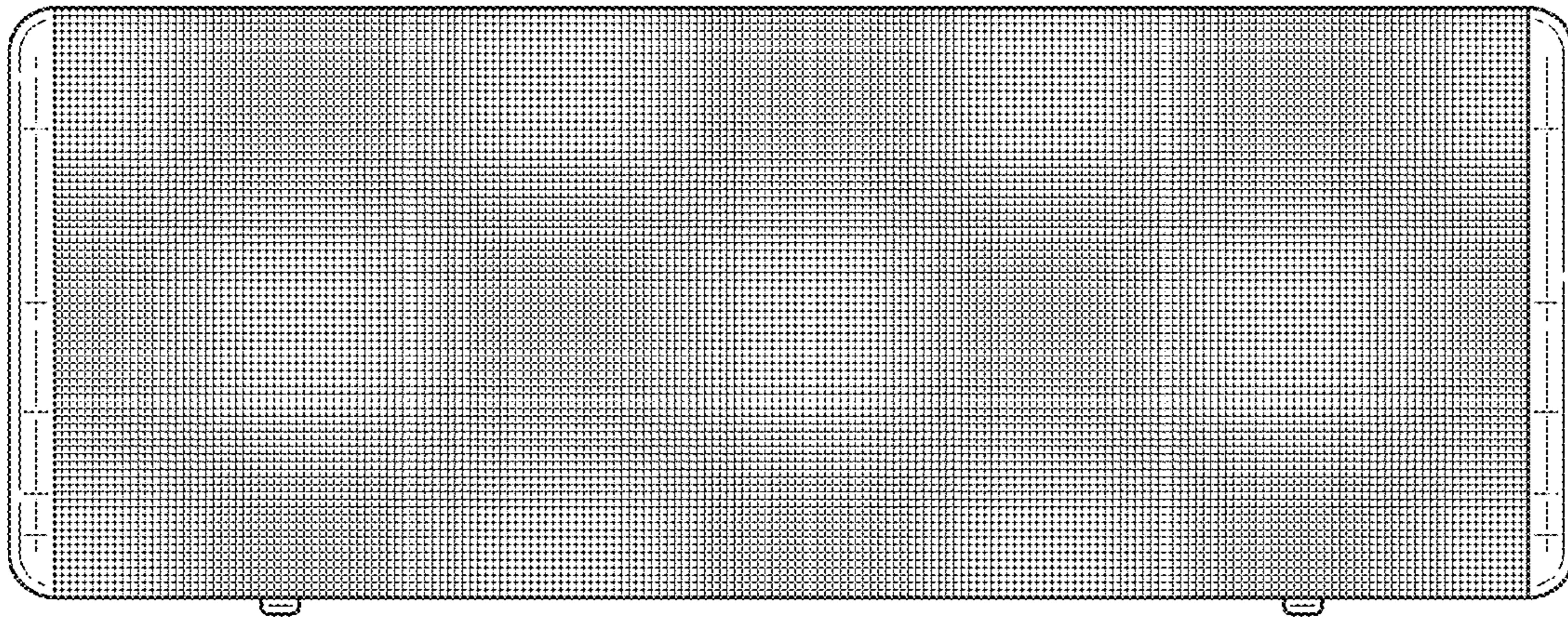


FIG. 2

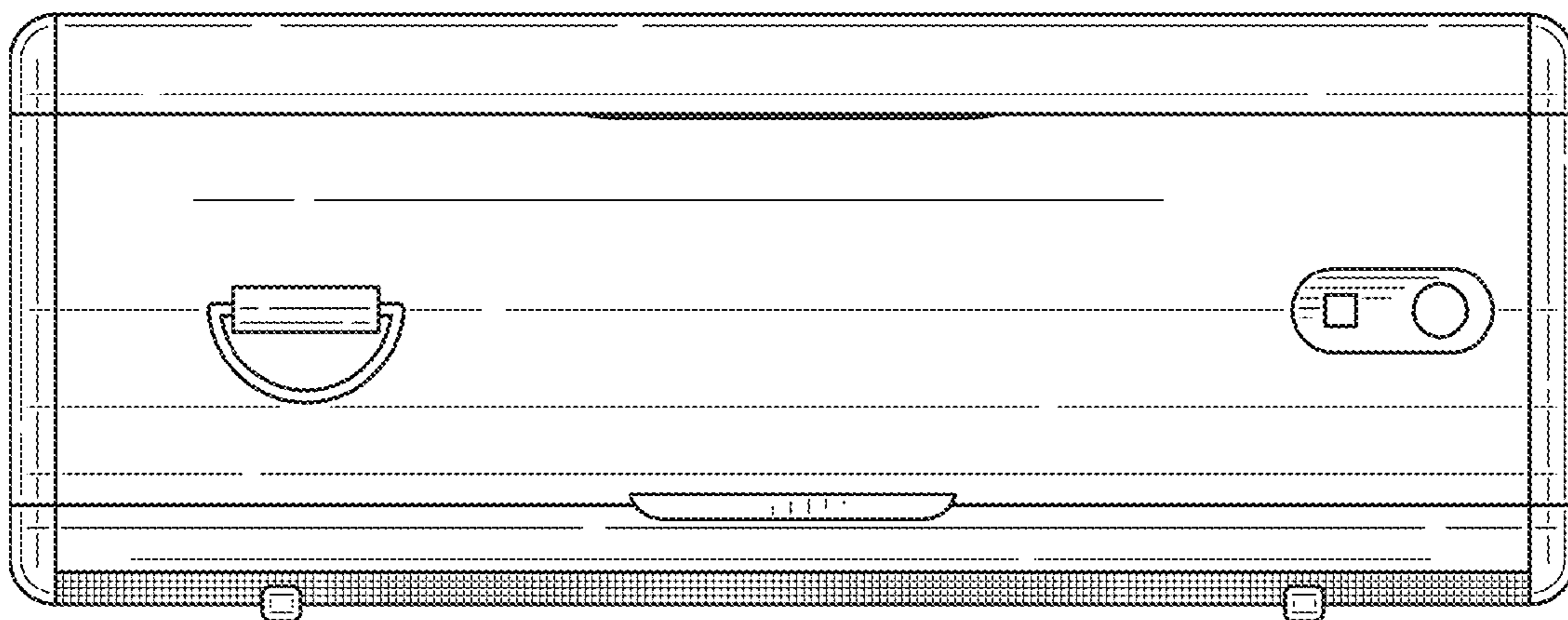


FIG. 3

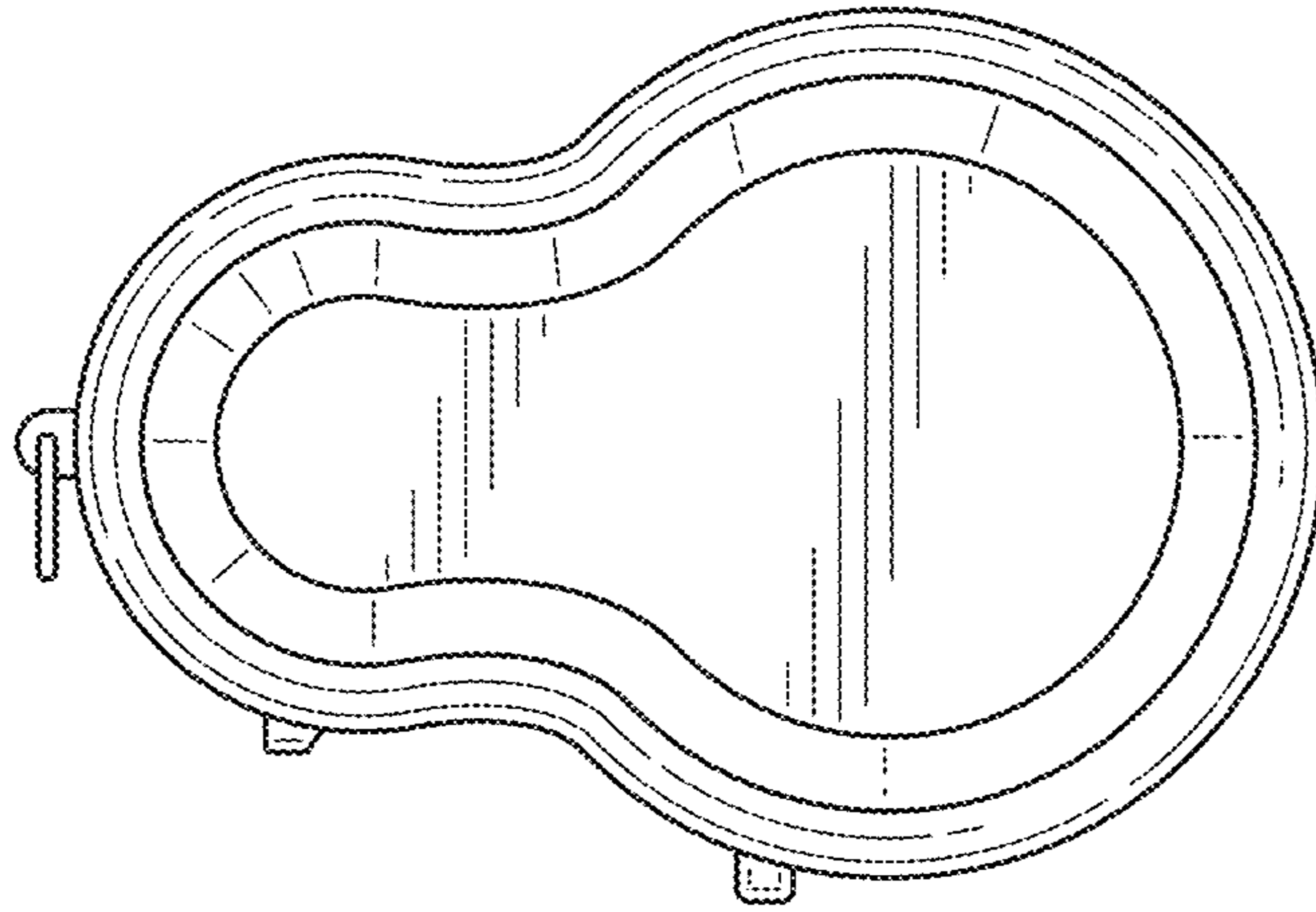


FIG. 4

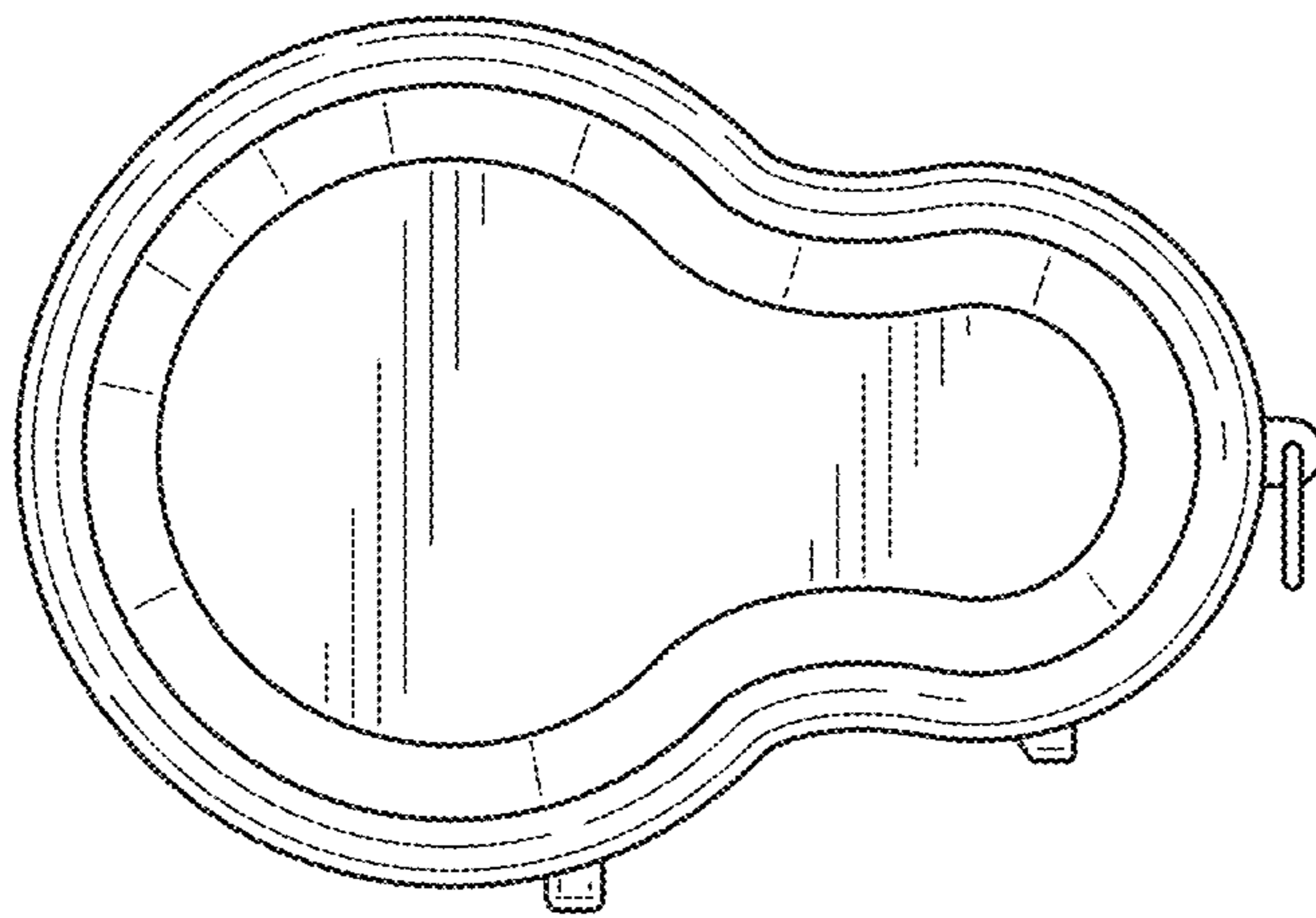


FIG. 5

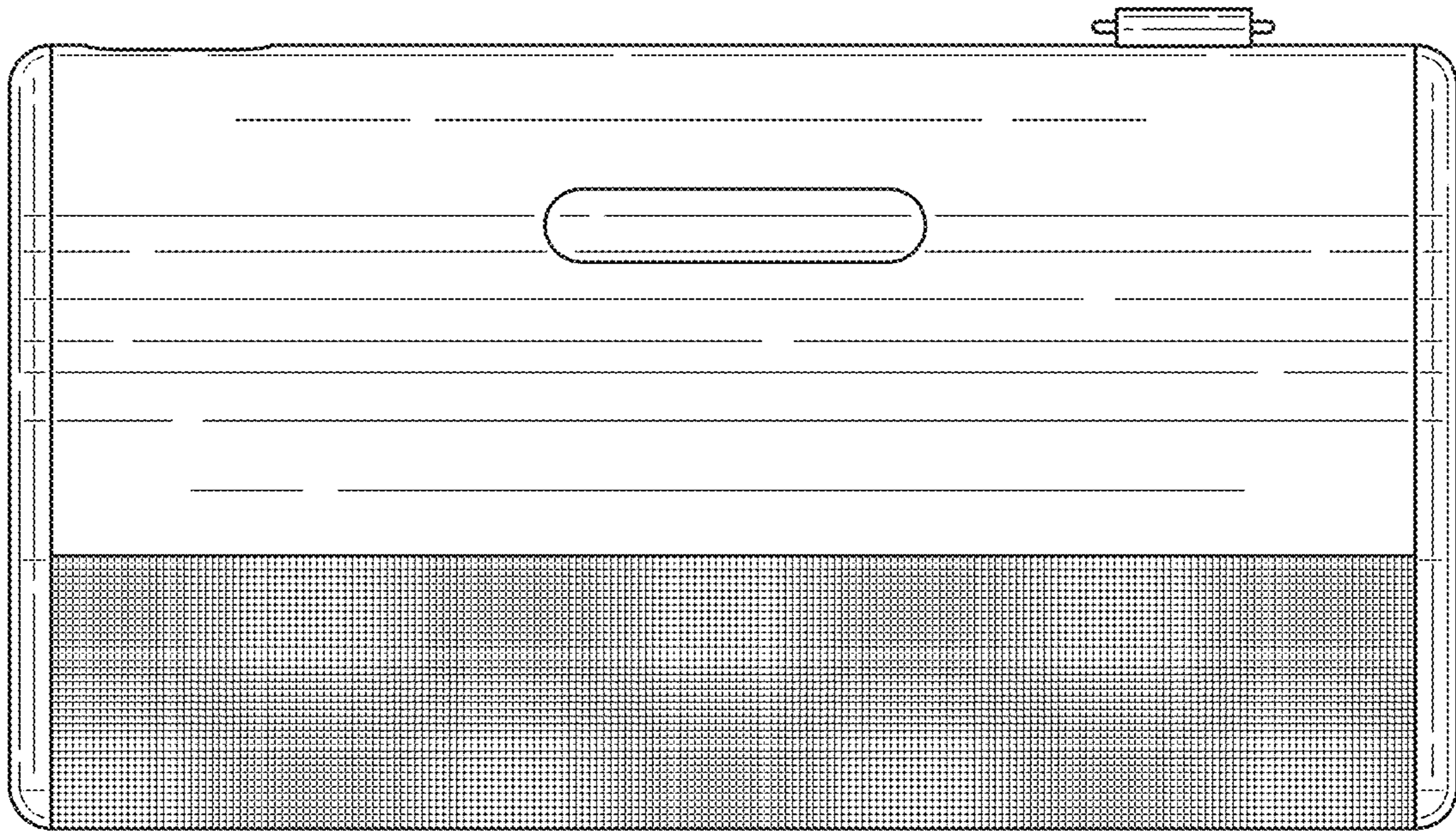


FIG. 6

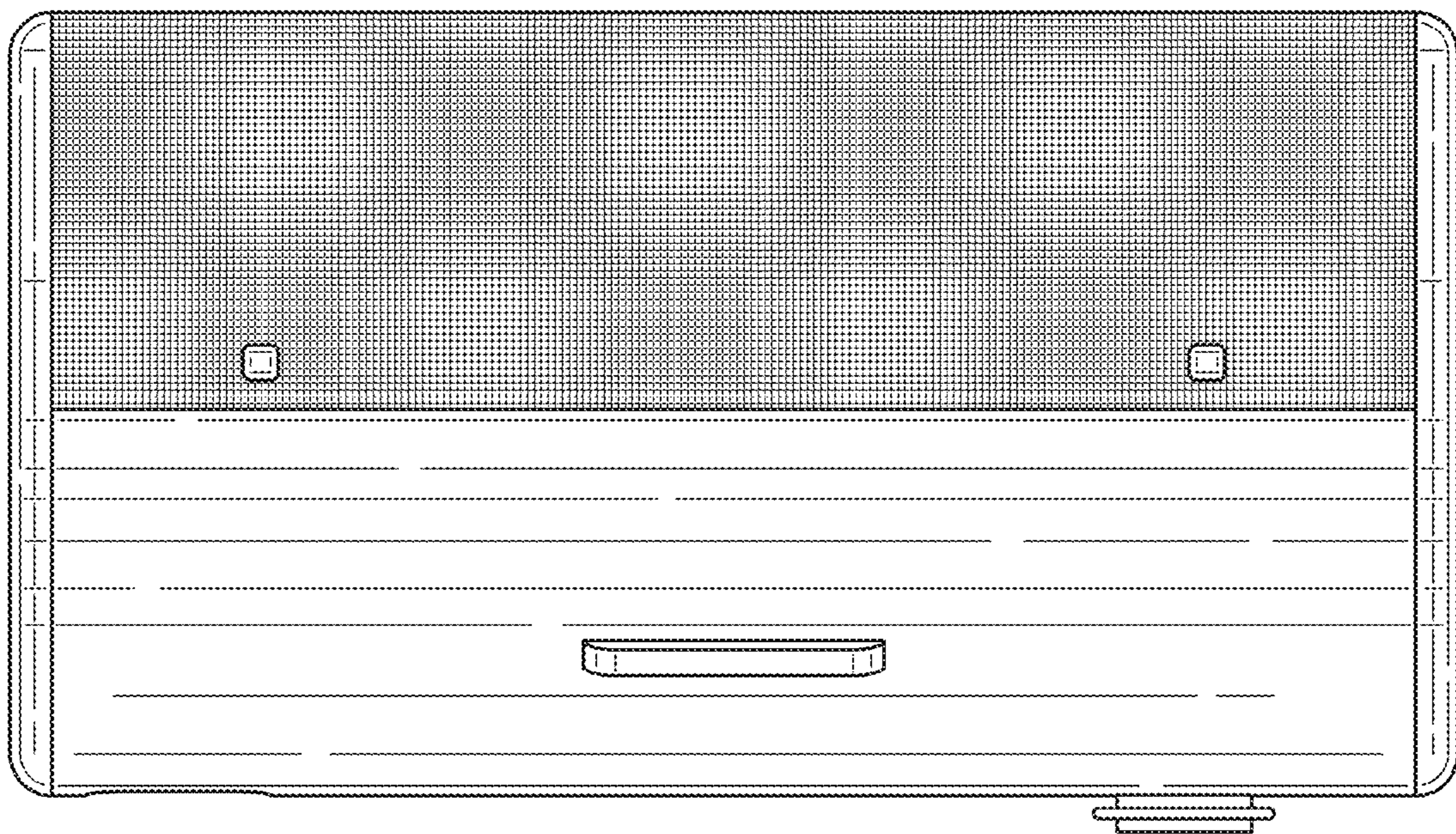


FIG. 7

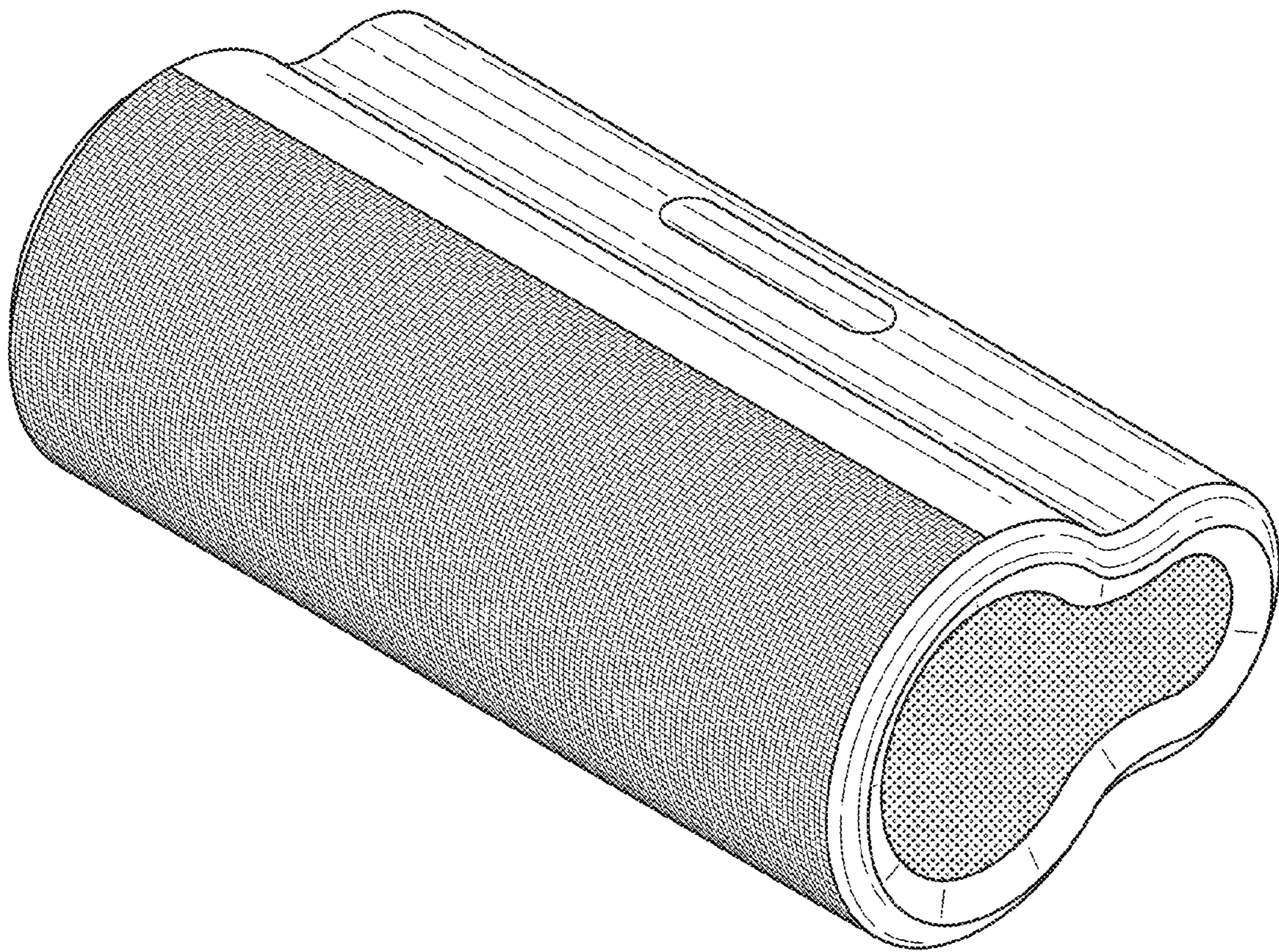


FIG. 8

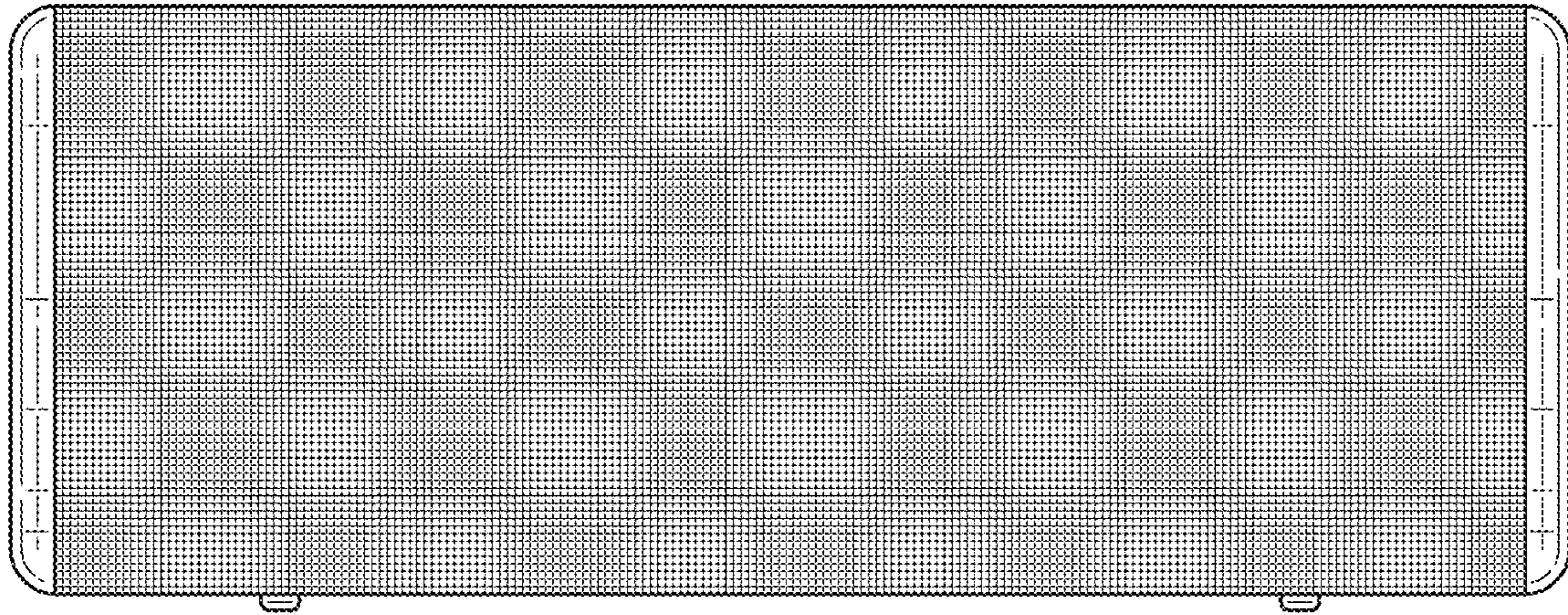


FIG. 9

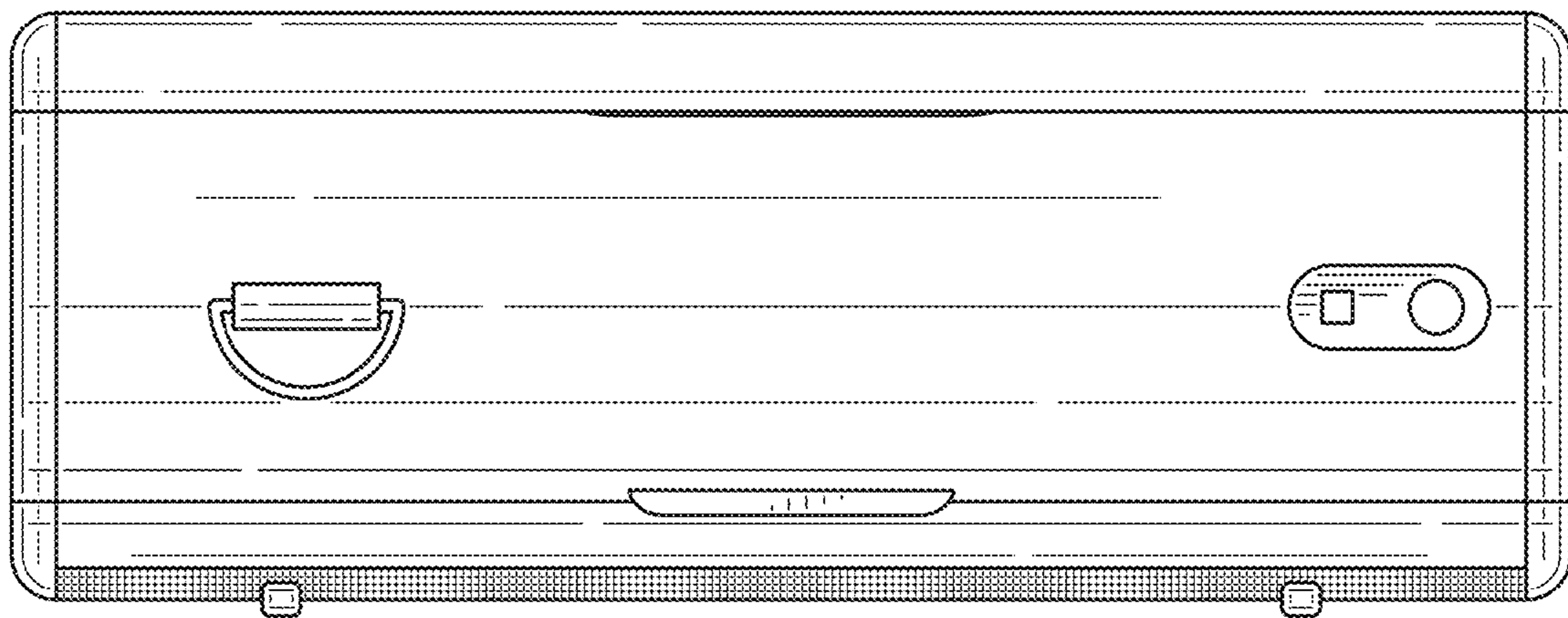


FIG. 10

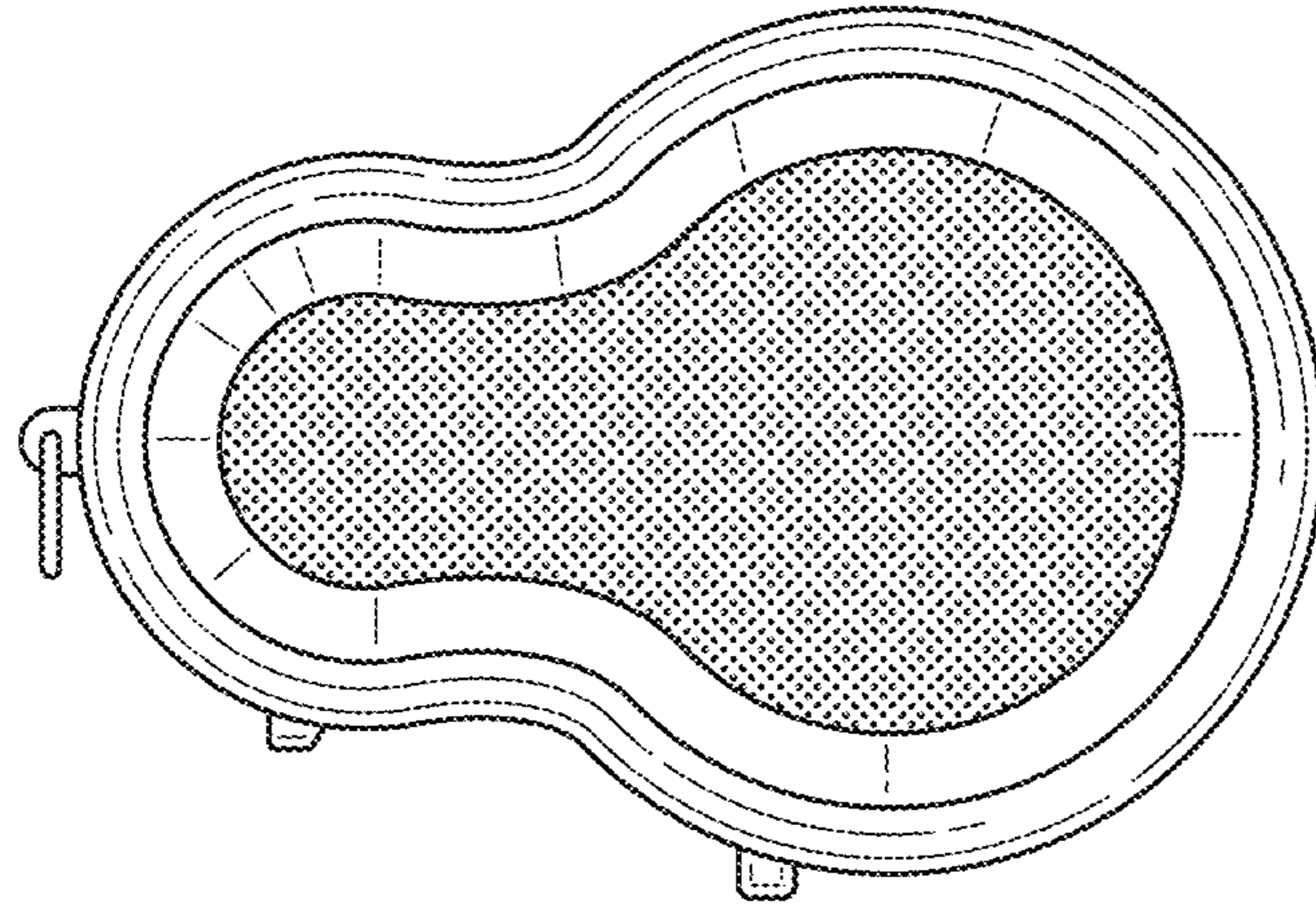


FIG. 11

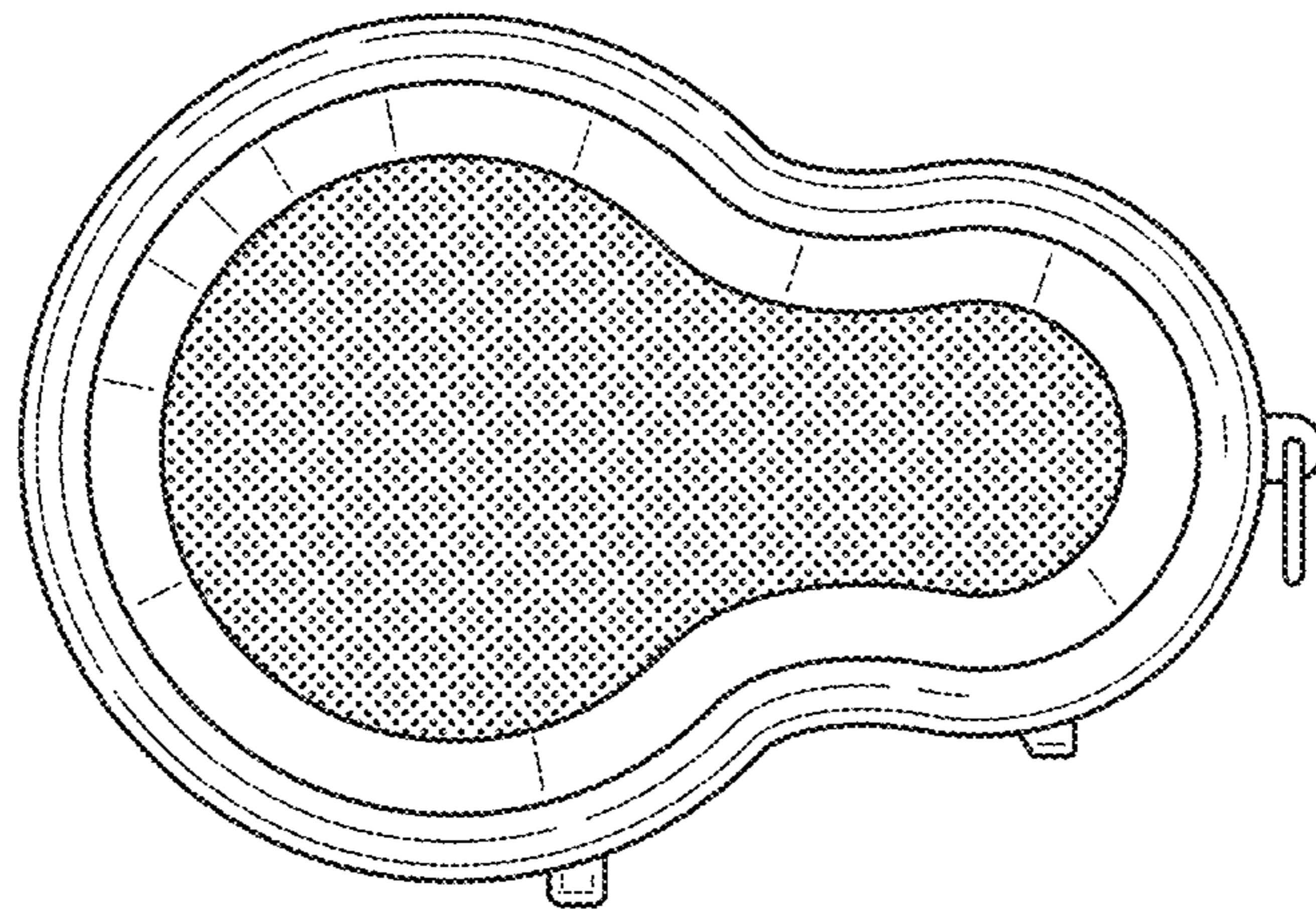


FIG. 12

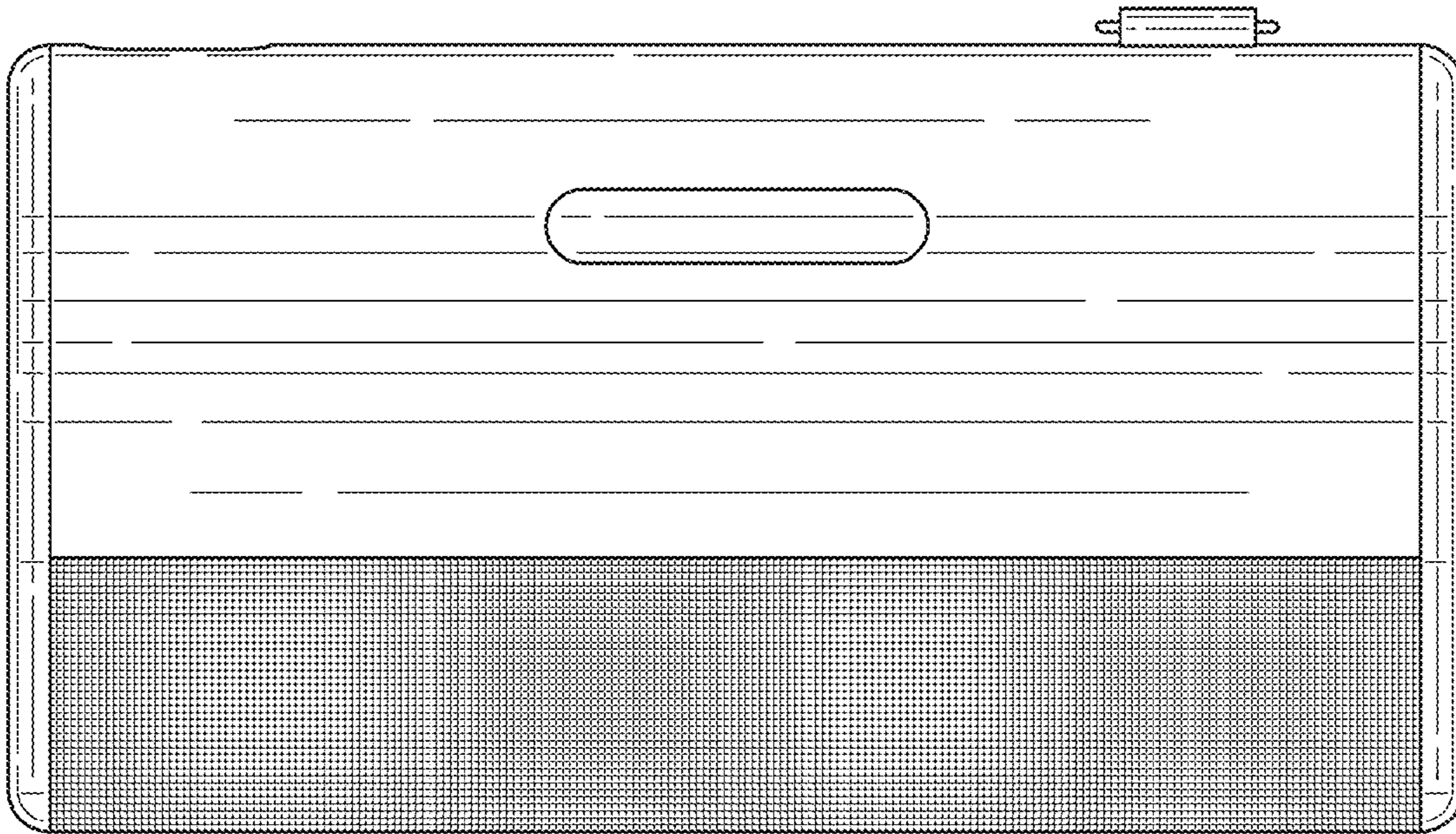


FIG. 13

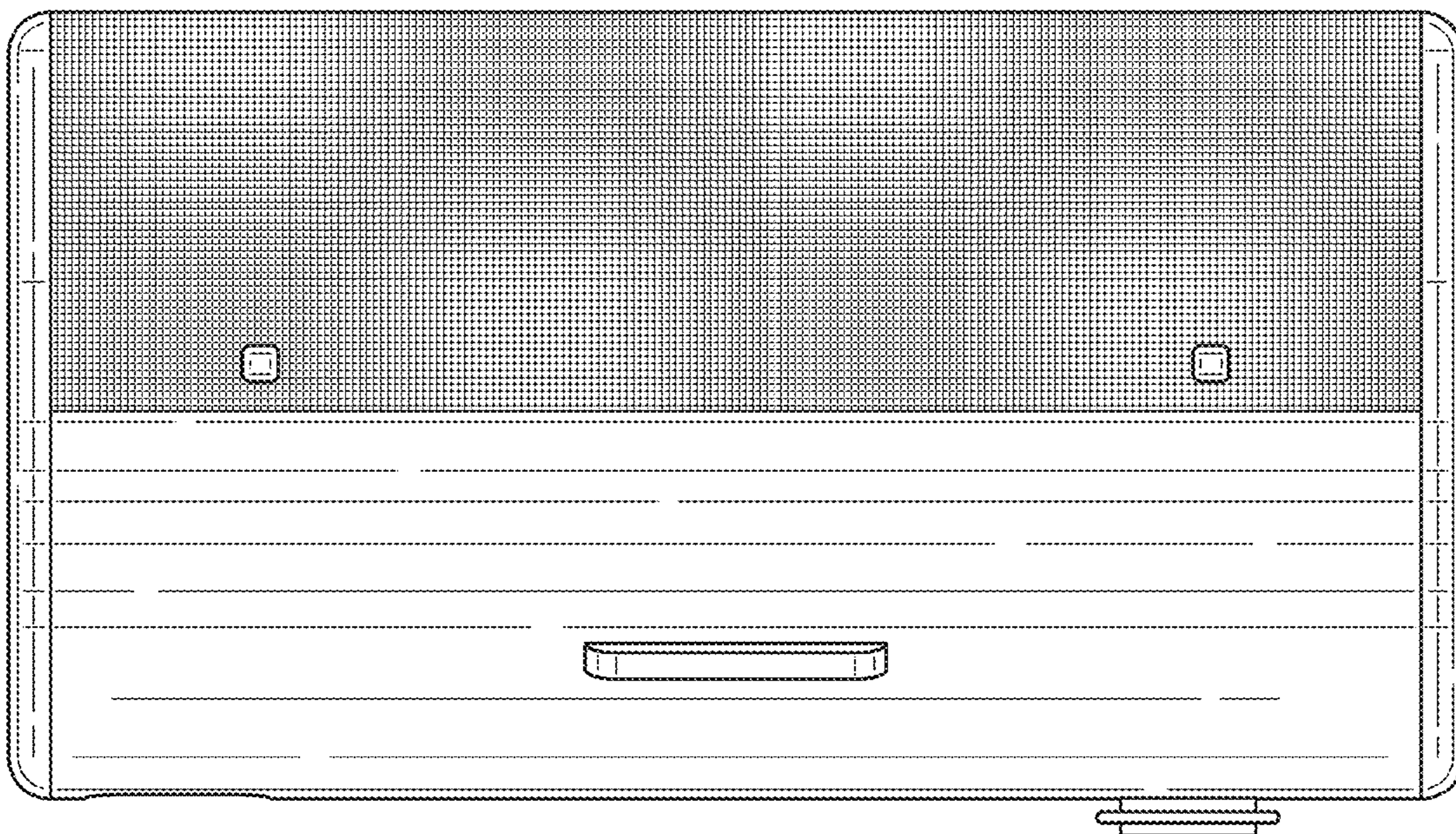


FIG. 14