

US00D757688S

(12) **United States Design Patent**
Wise et al.

(10) **Patent No.:** **US D757,688 S**
(45) **Date of Patent:** **** May 31, 2016**

(54) **AUDIO CONTROL CENTER**

(71) Applicant: **GIBSON BRANDS, INC.**, Nashville, TN (US)

(72) Inventors: **Bernard Wise**, Agoura, CA (US);
Martins Saulespurens, Thousand Oaks, CA (US); **Martin Wolf**, Valencia, CA (US)

(73) Assignee: **Gibson Brands, Inc.**, Nashville, TN (US)

(**) Term: **14 Years**

(21) Appl. No.: **29/515,452**

(22) Filed: **Jan. 22, 2015**

(51) **LOC (10) Cl.** **14-03**

(52) **U.S. Cl.**
USPC **D14/214; D14/226**

(58) **Field of Classification Search**
USPC D14/168, 170-172, 188, 194-196, 204, D14/207, 210-216, 219, 221, 222, 224, 496, D14/185, 206, 225-229; 181/143, 144, 147, 181/148, 150, 153, 157, 198, 199; 381/300-303, 306, 332, 333, 336, 345, 381/361-364, 386-388

CPC B60R 11/0217; G06F 1/1688; H04M 1/03; H04M 1/035; H04R 1/02; H04R 1/06; H04R 1/021; H04R 1/025; H04R 1/026; H04R 1/028; H04R 1/105; H04R 1/323; H04R 1/403; H04R 1/2803; H04R 1/2834; H04R 5/02; H04R 7/20; H04R 9/06; H04R 9/025; H04R 2201/021; H04R 2400/00; H04R 2400/07; H04R 2499/11; H04R 2499/13; H04R 2499/15; H04S 3/00; H04S 7/30

See application file for complete search history.

(56) **References Cited**

U.S. PATENT DOCUMENTS

D412,705 S *	8/1999	Laiacona	D14/172
D429,717 S *	8/2000	Kizawa	D14/204
D534,151 S *	12/2006	Marquez	D14/158
D540,782 S *	4/2007	Katsumata	D14/214
D563,286 S *	3/2008	Files	D12/114
D574,810 S *	8/2008	Tanaka	D14/214
D715,761 S *	10/2014	Kim	D14/188
D718,748 S *	12/2014	Pan	D14/159
D726,144 S *	4/2015	Kang	D14/204
D746,796 S *	1/2016	Wise	D14/227

* cited by examiner

Primary Examiner — Keli L Hill

(74) *Attorney, Agent, or Firm* — Bates & Bates, LLC

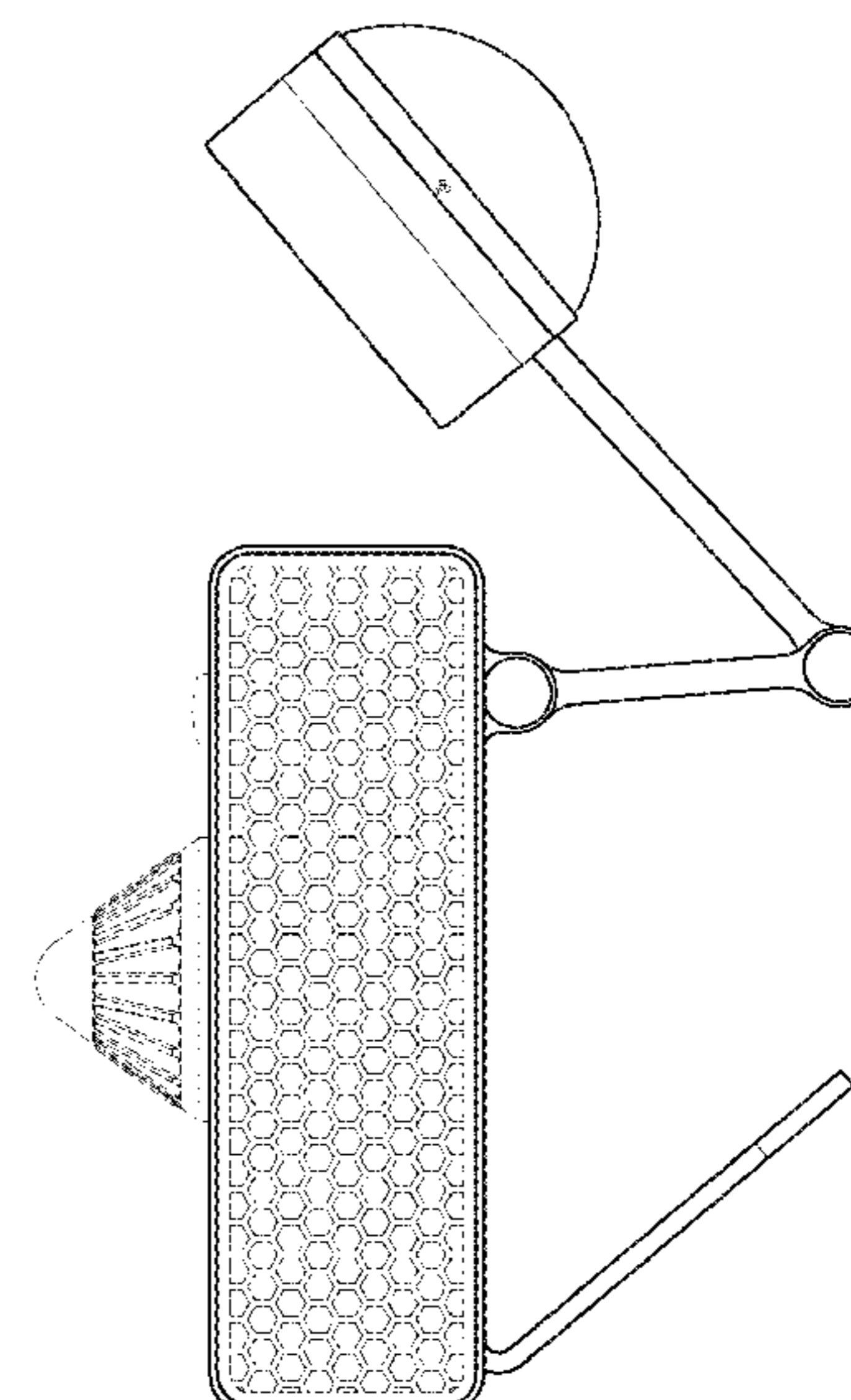
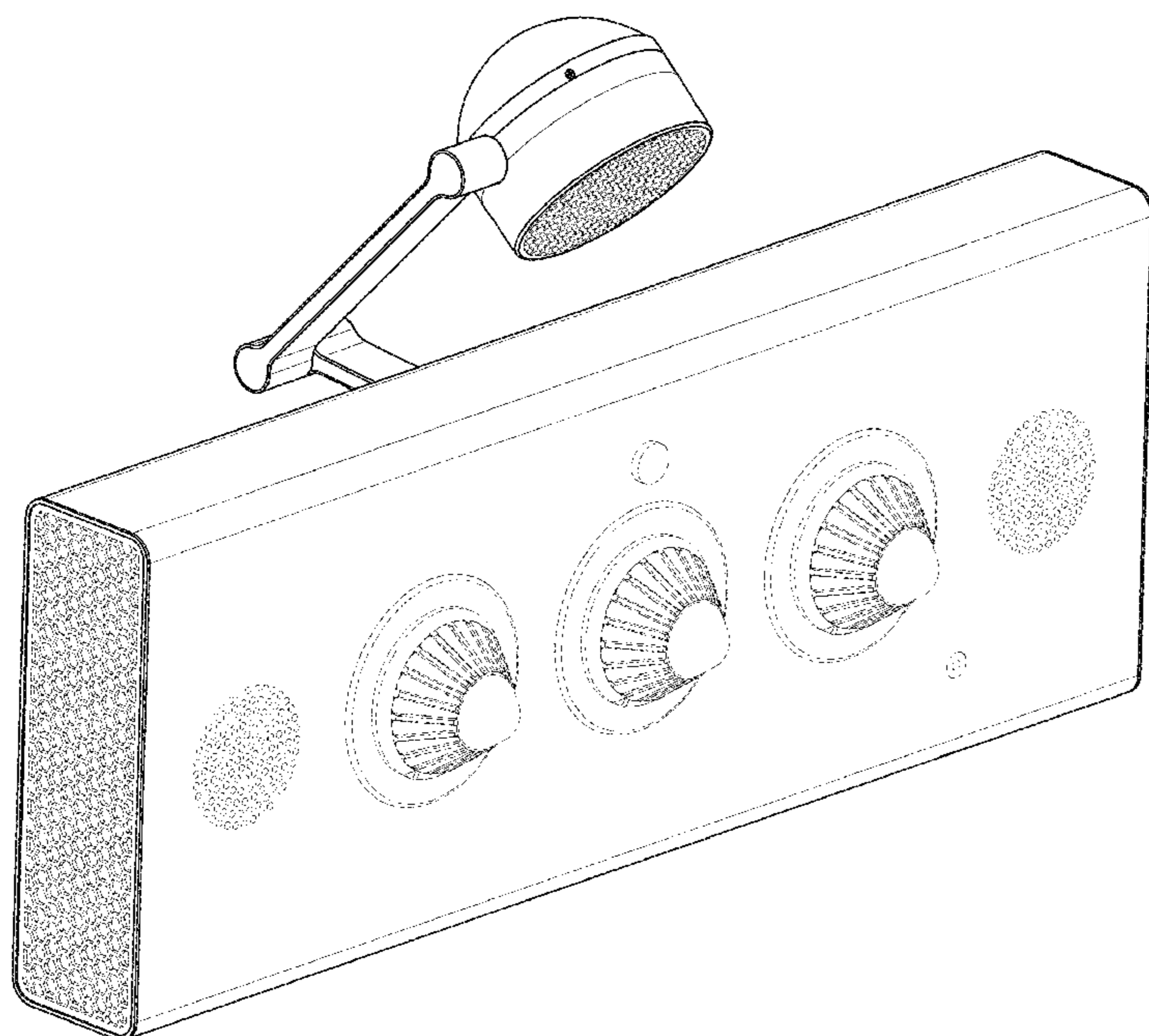
(57) **CLAIM**

What is claimed is the ornamental design for an audio control center, as shown and described.

DESCRIPTION

FIG. 1 is a perspective view of an audio control center; FIG. 2 is a front view of the audio control center; FIG. 3 is a back view of the audio control center; FIG. 4 left side view of the audio control center; FIG. 5 is a right side view of the audio control center; FIG. 6 is a top view of the audio control center; and, FIG. 7 is a bottom view of the audio control center. The broken lines shown are included for the purpose of illustrating portions of the audio control center that form no part of the claim.

1 Claim, 7 Drawing Sheets



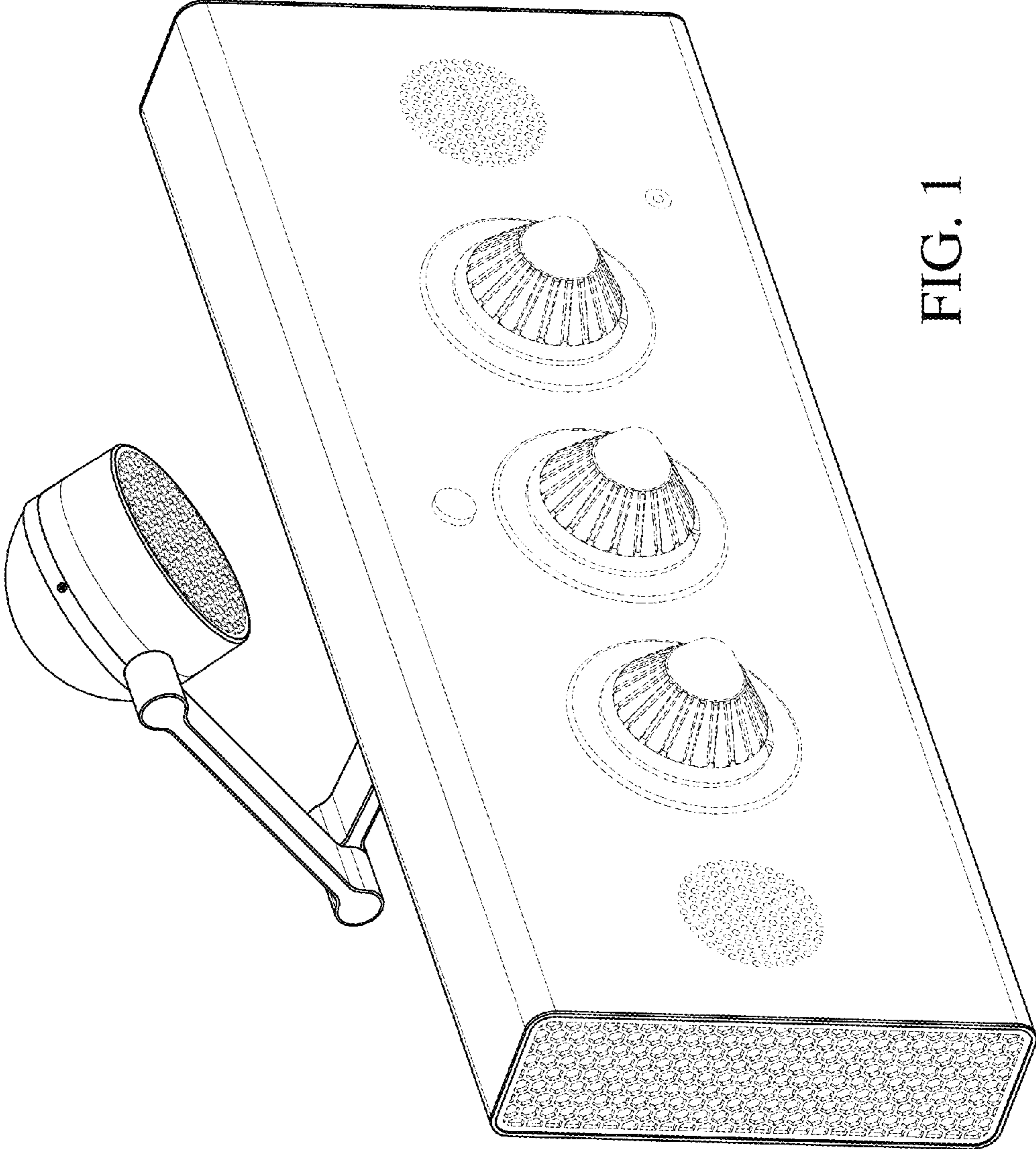


FIG. 1

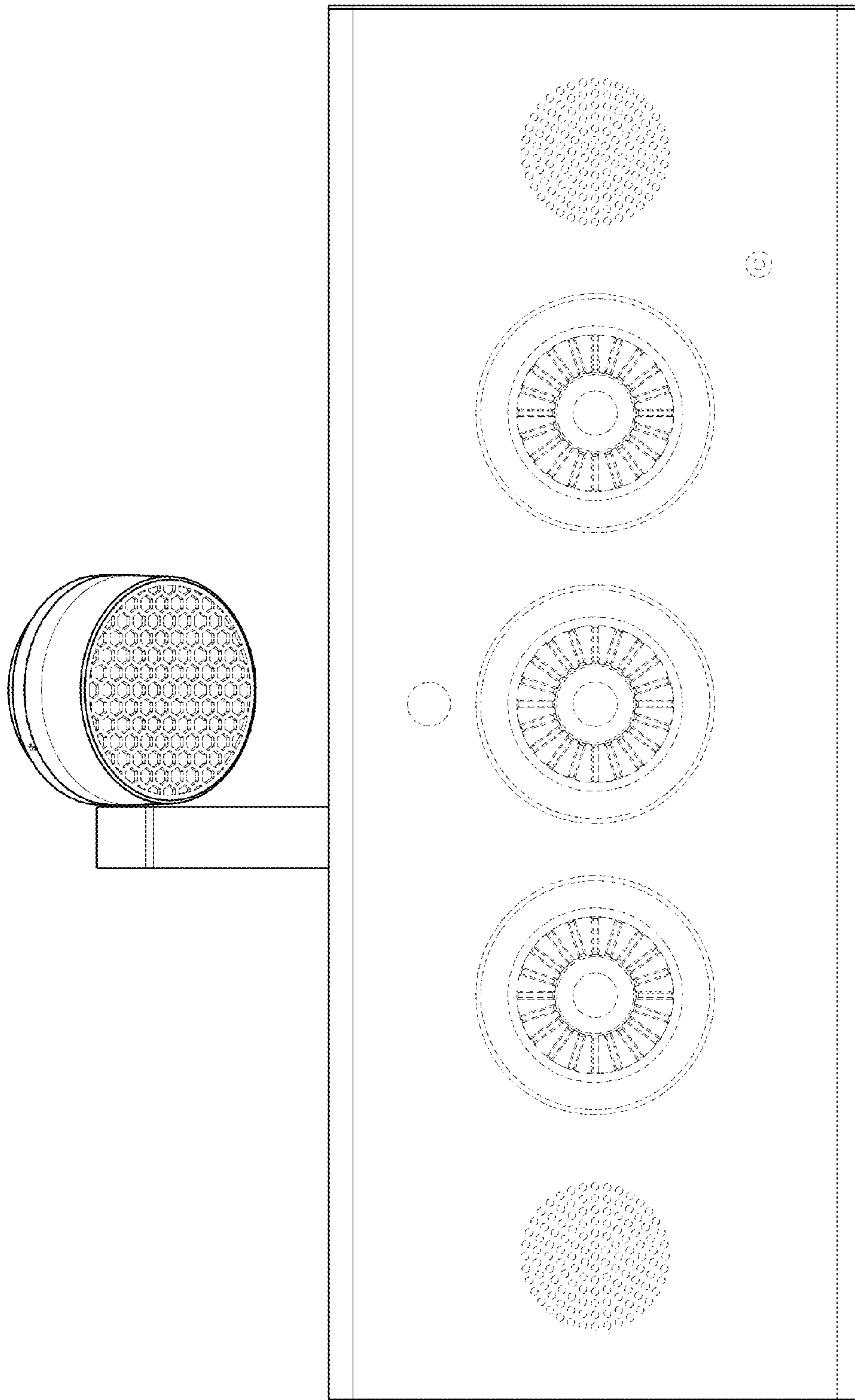


FIG. 2

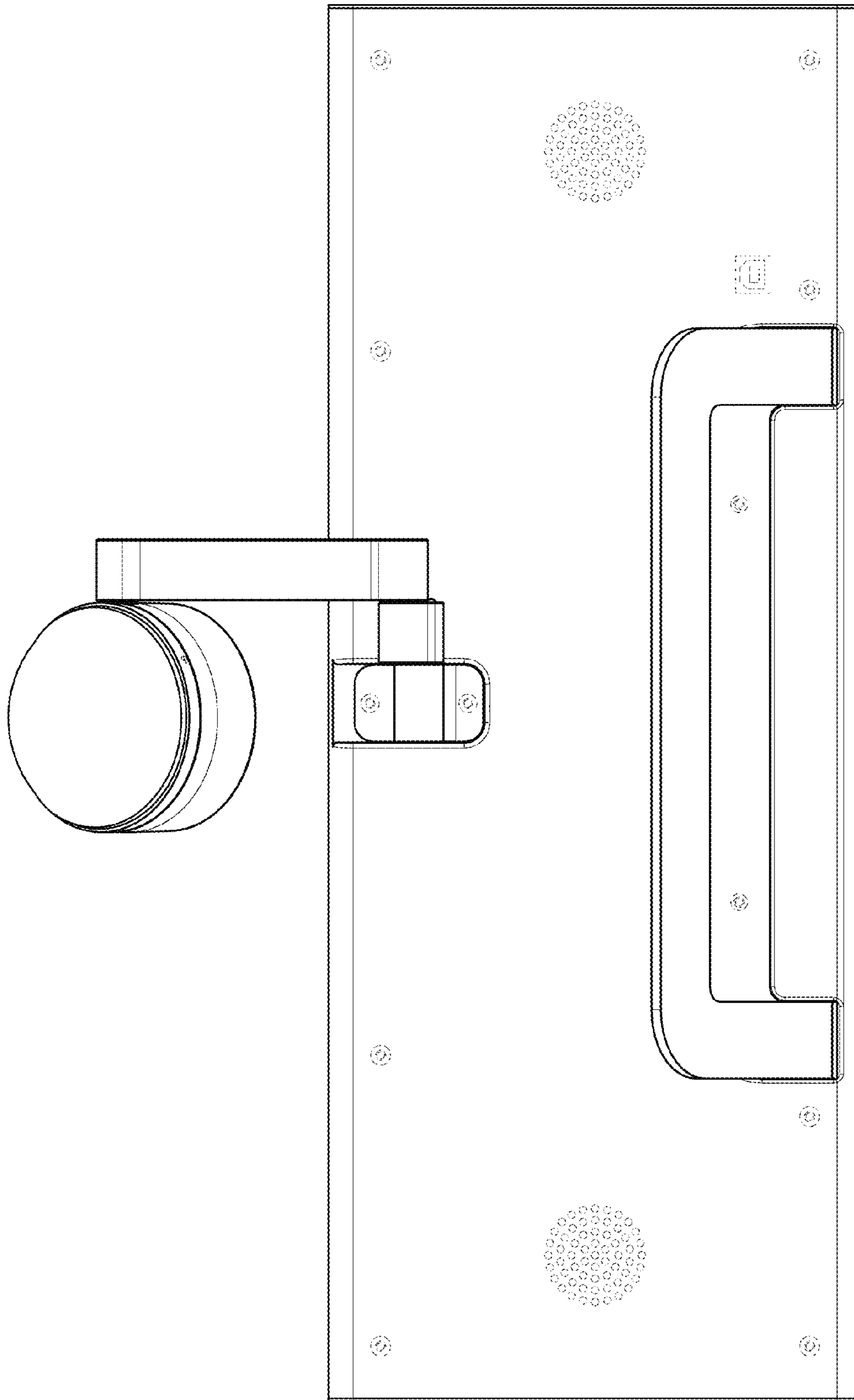


FIG. 3

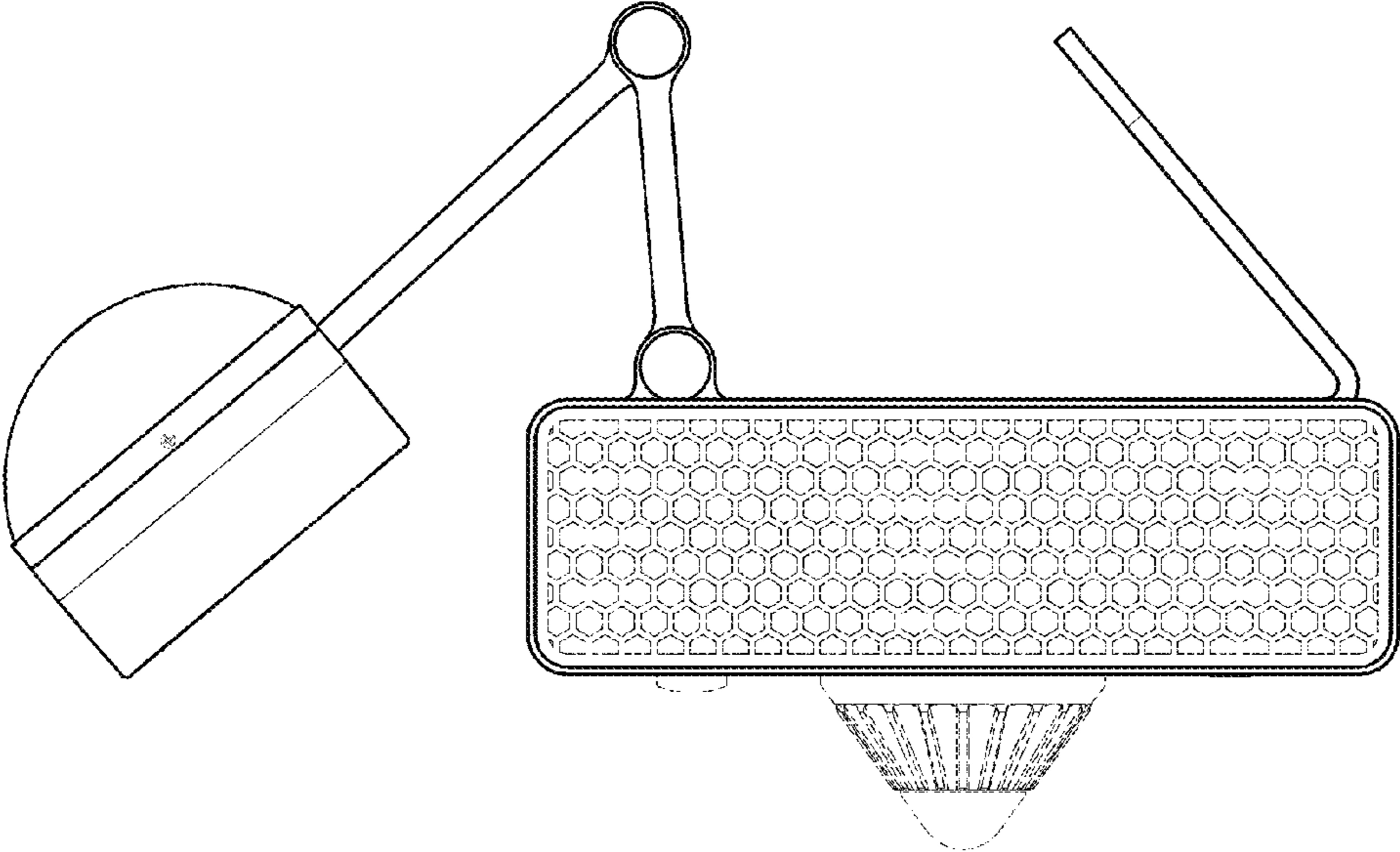


FIG. 4

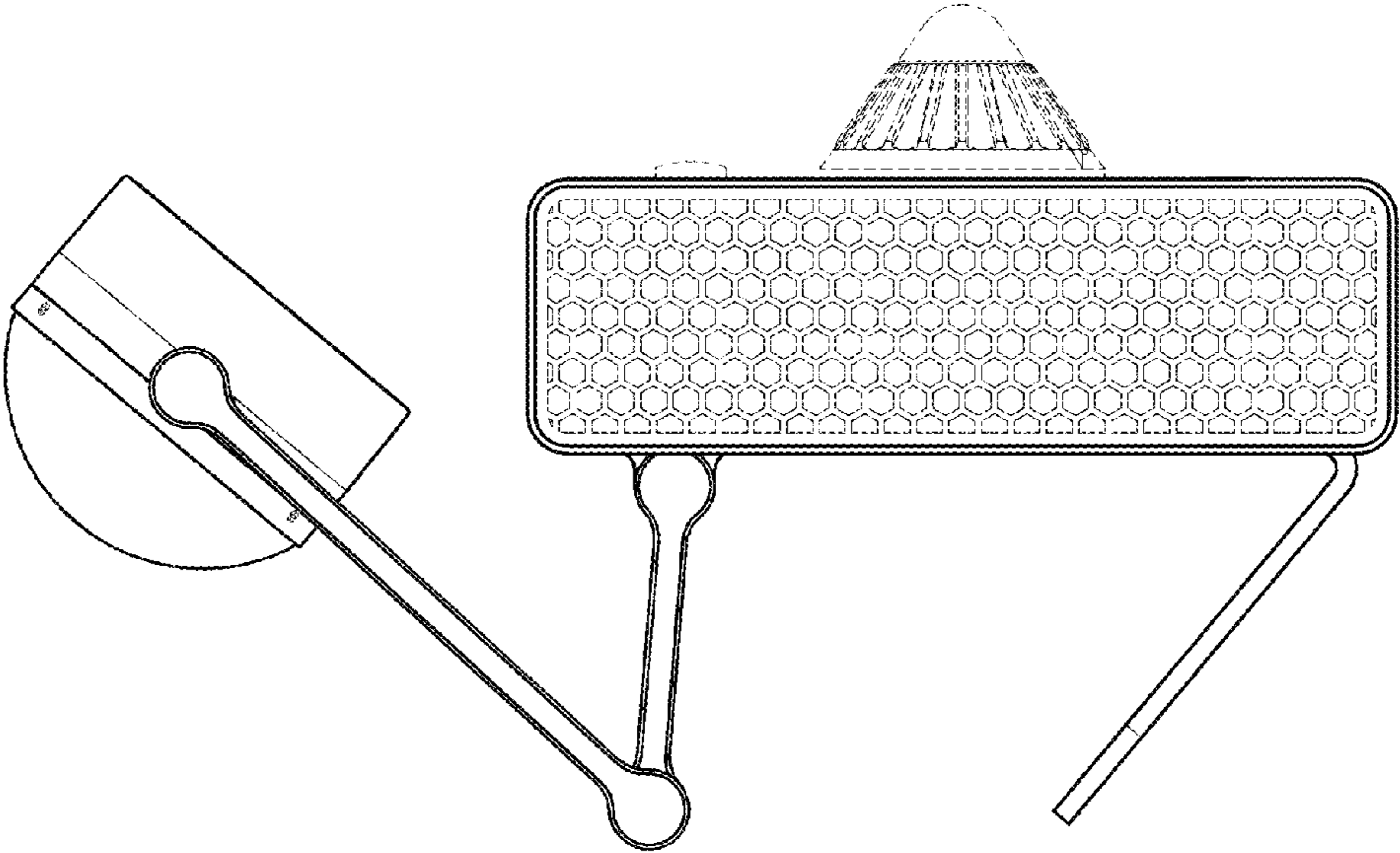


FIG. 5

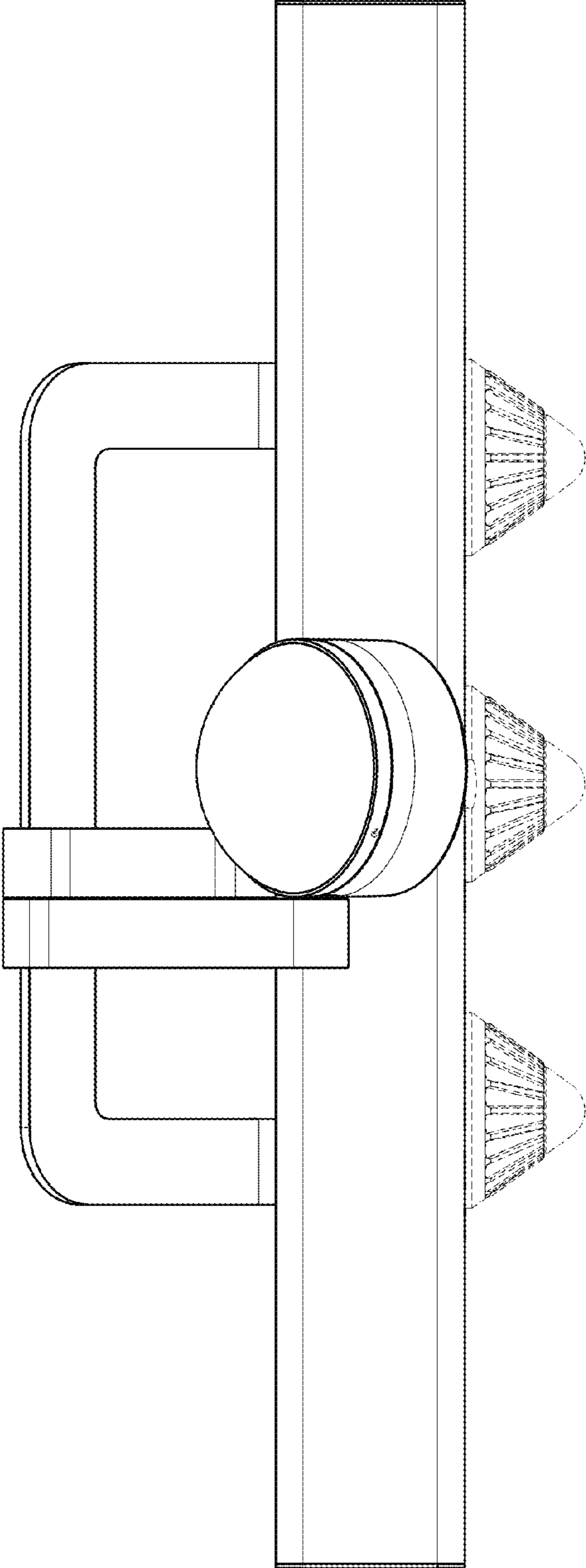


FIG. 6

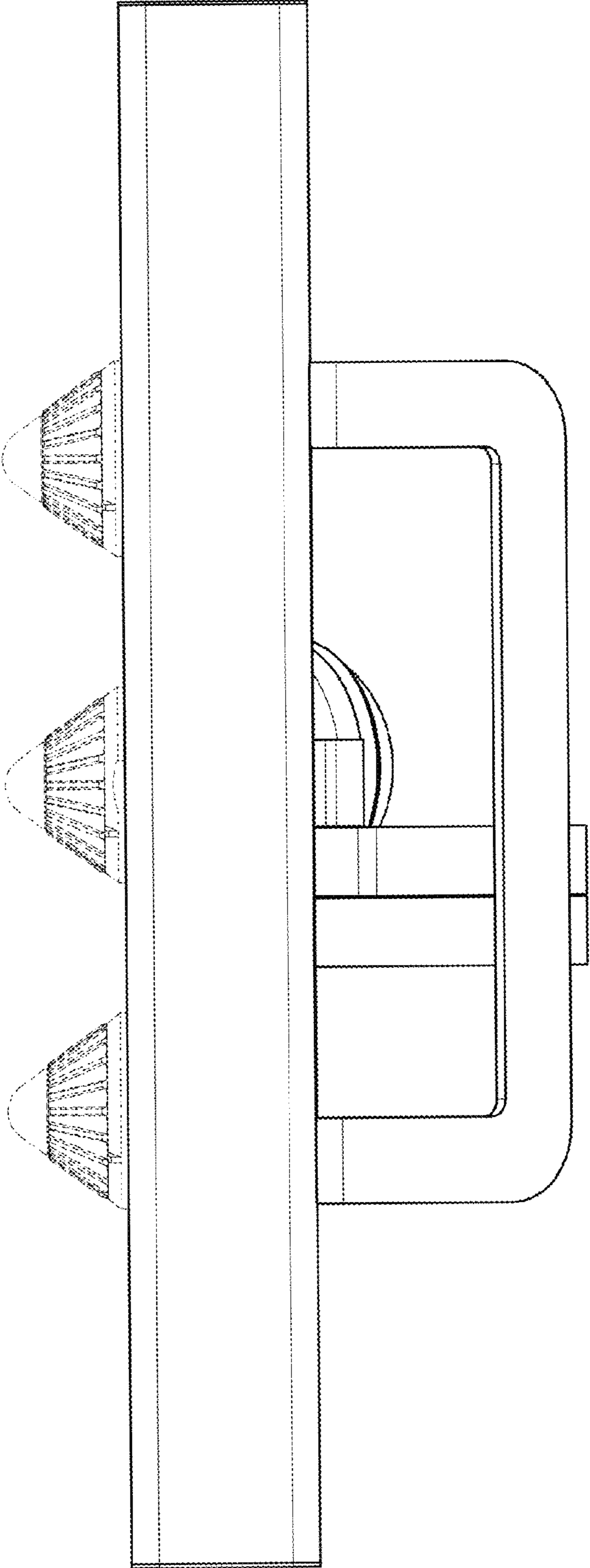


FIG. 7