



US00D757686S

(12) **United States Design Patent**  
**White et al.**

(10) **Patent No.:** **US D757,686 S**  
(45) **Date of Patent:** **\*\* May 31, 2016**

(54) **SPEAKER SOUND BAR WITH SIDE MOUNTS**

(71) Applicants: **Timothy John White**, Round Rock, TX (US); **Brett A. Triola**, Houston, TX (US)

(72) Inventors: **Timothy John White**, Round Rock, TX (US); **Brett A. Triola**, Houston, TX (US)

(\*\*) Term: **14 Years**

(21) Appl. No.: **29/445,651**

(22) Filed: **Feb. 14, 2013**

(51) **LOC (10) Cl.** ..... **14-03**

(52) **U.S. Cl.**  
USPC ..... **D14/214; D14/215**

(58) **Field of Classification Search**

USPC ..... D14/167, 168, 170–172, 188, 194–196, D14/204, 207, 209.1, 210–216, 219, 221, D14/222, 224, 496; 181/143, 144, 147, 148, 181/150, 153, 157, 198, 199; 381/300–303, 381/306, 332, 333, 336, 345, 361–364, 381/386–388; 369/6–12  
CPC .... B60R 11/0217; G06F 1/1688; H04M 1/03; H04M 1/035; H04R 1/02; H04R 1/06; H04R 1/021; H04R 1/025; H04R 1/026; H04R 1/028; H04R 1/105; H04R 1/323; H04R 1/403; H04R 1/2803; H04R 1/2834; H04R 5/02; H04R 7/20; H04R 9/06; H04R 9/025; H04R 2201/021; H04R 2400/00; H04R 2700/07; H04R 2499/11; H04R 2499/13; H04R 2499/15; H04S 3/00; H04S 7/30  
See application file for complete search history.

(56) **References Cited**

**U.S. PATENT DOCUMENTS**

D468,727 S \* 1/2003 Manneschi ..... D14/222  
D476,644 S \* 7/2003 Manneschi ..... D14/222  
D480,069 S \* 9/2003 Carbone et al. .... D14/216  
D494,565 S \* 8/2004 Yao ..... D14/215  
D496,923 S \* 10/2004 Allen ..... D14/211

D501,841 S \* 2/2005 Hsu ..... D14/171  
D629,139 S \* 12/2010 Cai et al. .... D26/72  
D638,823 S \* 5/2011 Schindler ..... D14/214  
D641,340 S \* 7/2011 Huh ..... D14/214  
D654,907 S \* 2/2012 McManigal ..... D14/214  
D655,274 S 3/2012 McManigal  
D658,159 S \* 4/2012 Janky et al. .... D14/214  
D658,160 S \* 4/2012 Janky et al. .... D14/214  
D659,677 S \* 5/2012 Kim et al. .... D14/214  
D685,349 S \* 7/2013 Ohno et al. .... D14/221  
D697,247 S \* 1/2014 Mollaghaffari ..... D26/76

(Continued)

**OTHER PUBLICATIONS**

Office Action mailed Feb. 24 2015 for U.S. Appl. No. 29/445,640.

(Continued)

*Primary Examiner* — Keli L Hill

(74) *Attorney, Agent, or Firm* — Egan, Peterman, Enders & Huston LLP

(57) **CLAIM**

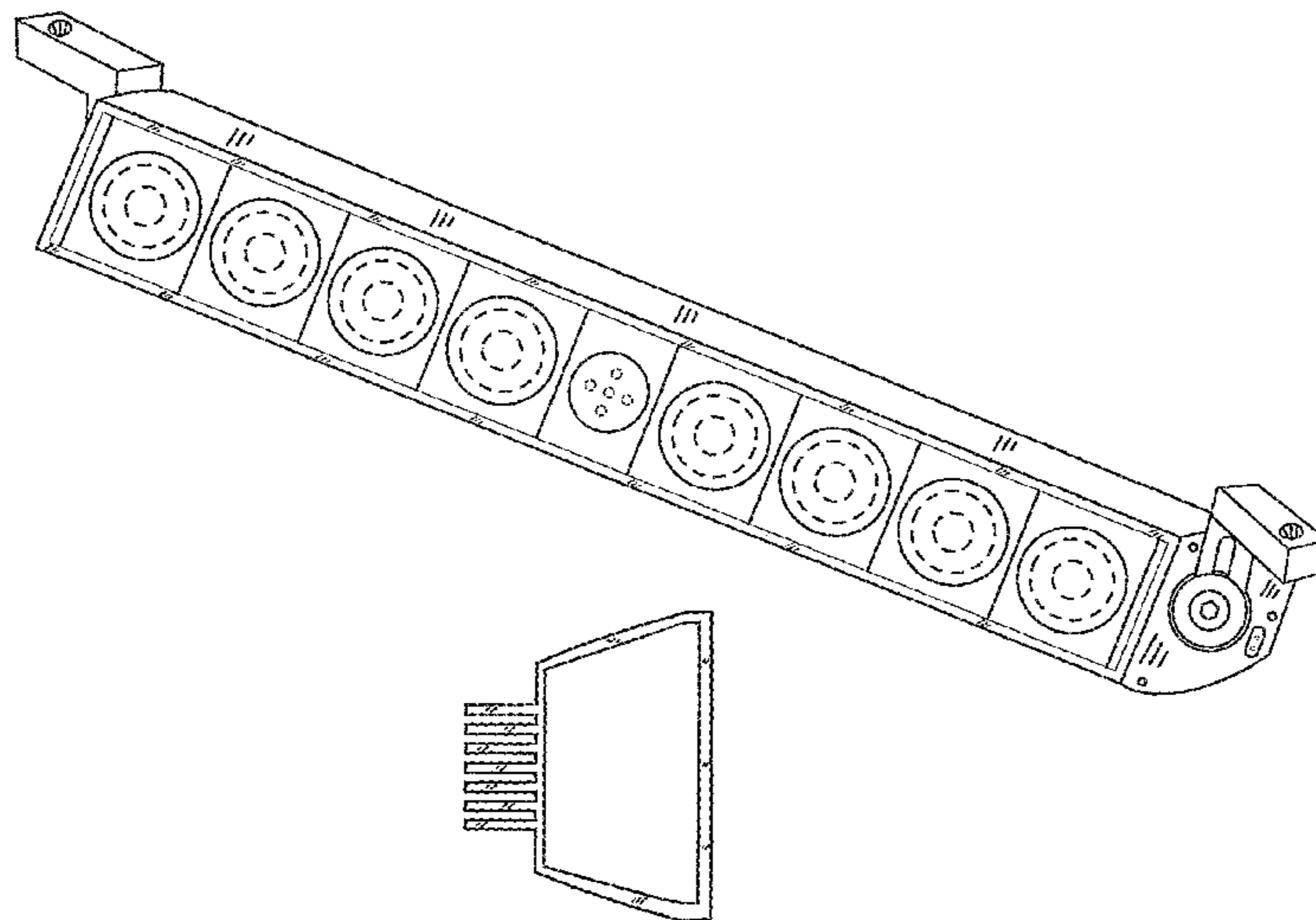
The speaker sound bar with side mounts, as shown and described.

**DESCRIPTION**

FIG. 1 is a front and right side perspective view of a speaker sound bar with side mounts, embodying our new design; FIG. 2 is a front elevation view thereof; FIG. 3 is a rear elevation view thereof; FIG. 4 is a cross-sectional view thereof taken between axes A-A and B-B of FIG. 3; FIG. 5 is a left side elevation view thereof; FIG. 6 is a right side elevation view thereof; FIG. 7 is a top plan view thereof; and, FIG. 8 is a bottom plan view thereof.

The broken lines shown are included for the purpose of illustrating portions of the speaker sound bar with side mounts that form no part of the claimed design.

**1 Claim, 3 Drawing Sheets**



(56)

**References Cited**

U.S. PATENT DOCUMENTS

D699,385	S	*	2/2014	Guzzini	.....	D26/74
D706,748	S	*	6/2014	Hara	.....	D14/214
D714,763	S	*	10/2014	Woo et al.	.....	D14/221
D717,477	S	*	11/2014	Nakamura et al.	.....	D26/3
D720,723	S	*	1/2015	Cho	.....	D14/215
D721,059	S	*	1/2015	Lehnert	.....	D14/215

OTHER PUBLICATIONS

Office Action mailed Feb. 13, 2015 for U.S. Appl. No. 29/445,652.  
Office Action mailed Feb. 24, 2015 for U.S. Appl. No. 29/445,656.  
White, "Speaker Sounds Bar With LED Display", U.S. Appl. No. 29/445,639, filed Feb. 14, 2013; Office Action mailed Oct. 20, 2015; 10 pgs.

White, "Speaker Sound Bar With Bolt on Mounts", U.S. Appl. No. 29/445,640, filed Feb. 14, 2013; Office Action mailed Oct. 20, 2015; 10 pgs.  
White, "Speaker Sounds Bar With Track Mounts", U.S. Appl. No. 29/445,652, filed Feb. 14, 2013; Office Action mailed Oct. 20, 2015; 10 pgs.  
White, "Speaker Sounds Bar With Multiple Mount Options", U.S. Appl. No. 29/445,656, filed Feb. 14, 2013; Office Action mailed Oct. 21, 2015; 10 pgs.  
White, "Speaker Sound Bar", U.S. Appl. No. 29/445,659, filed Feb. 14, 2013; Office Action mailed Oct. 21, 2015; 11 pgs.  
White, "Speaker Sounds Bar With Track Mounts", U.S. Appl. No. 29/445,652, filed Feb. 14, 2013; Notice of Allowance mailed Jan. 15, 2016; 8 pgs.

\* cited by examiner

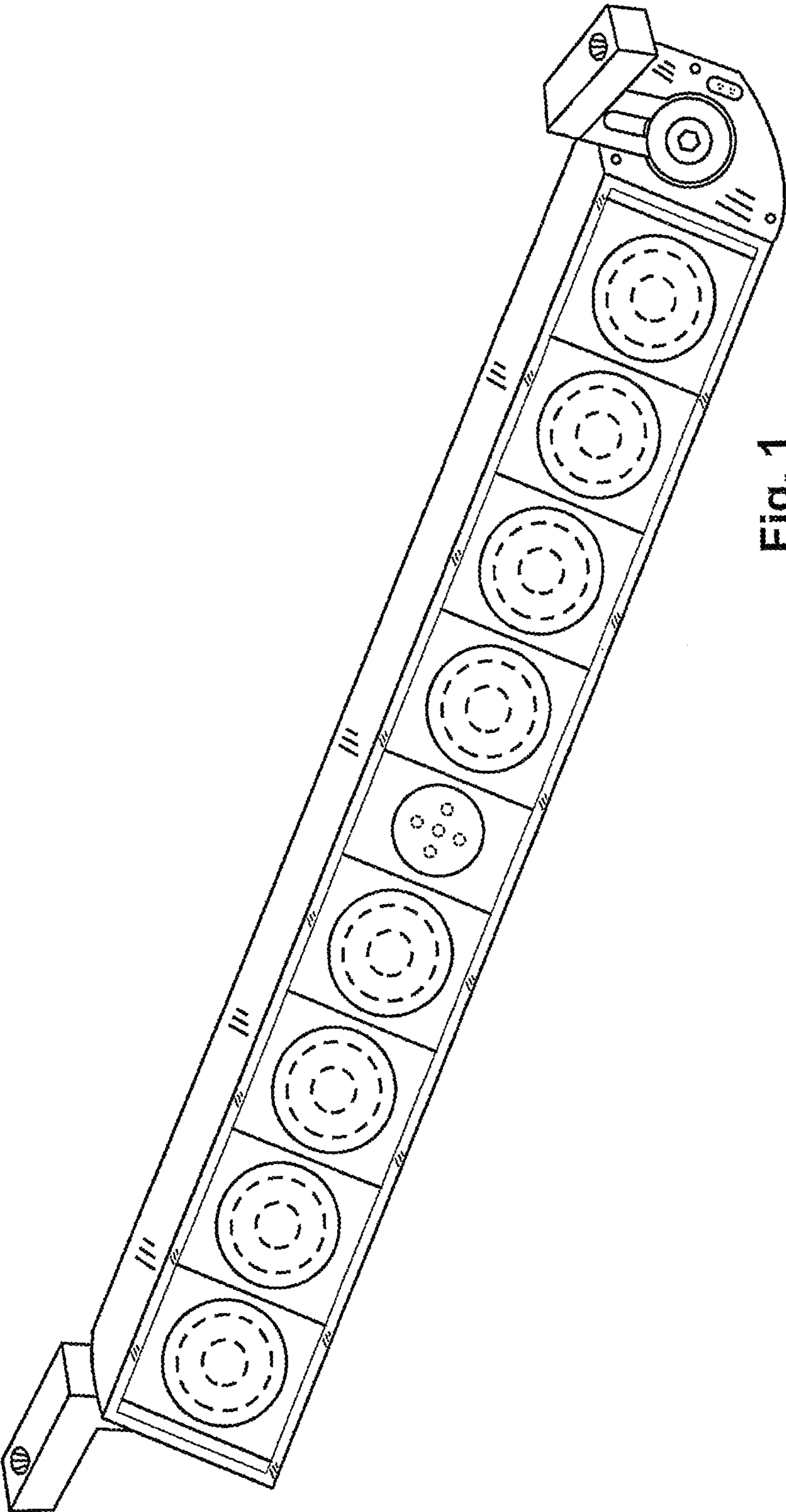


Fig. 1



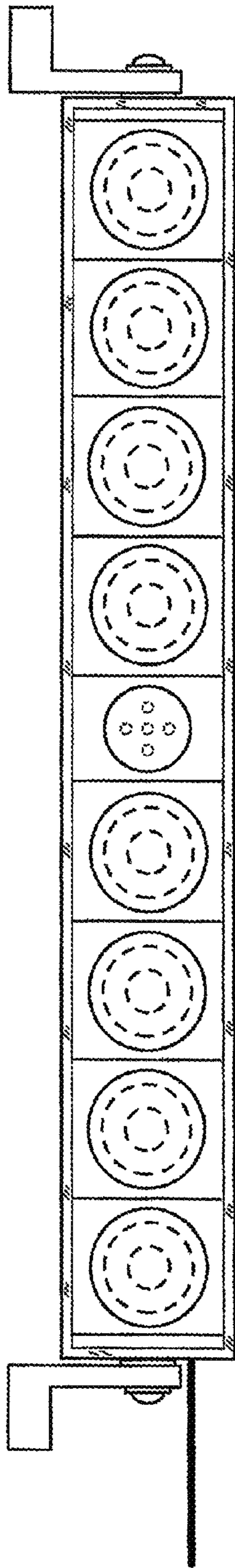


Fig. 2

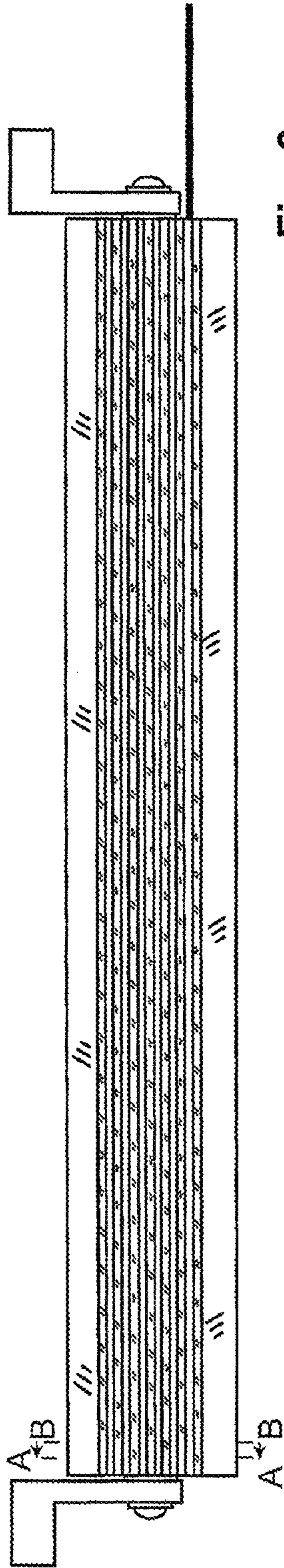


Fig. 3

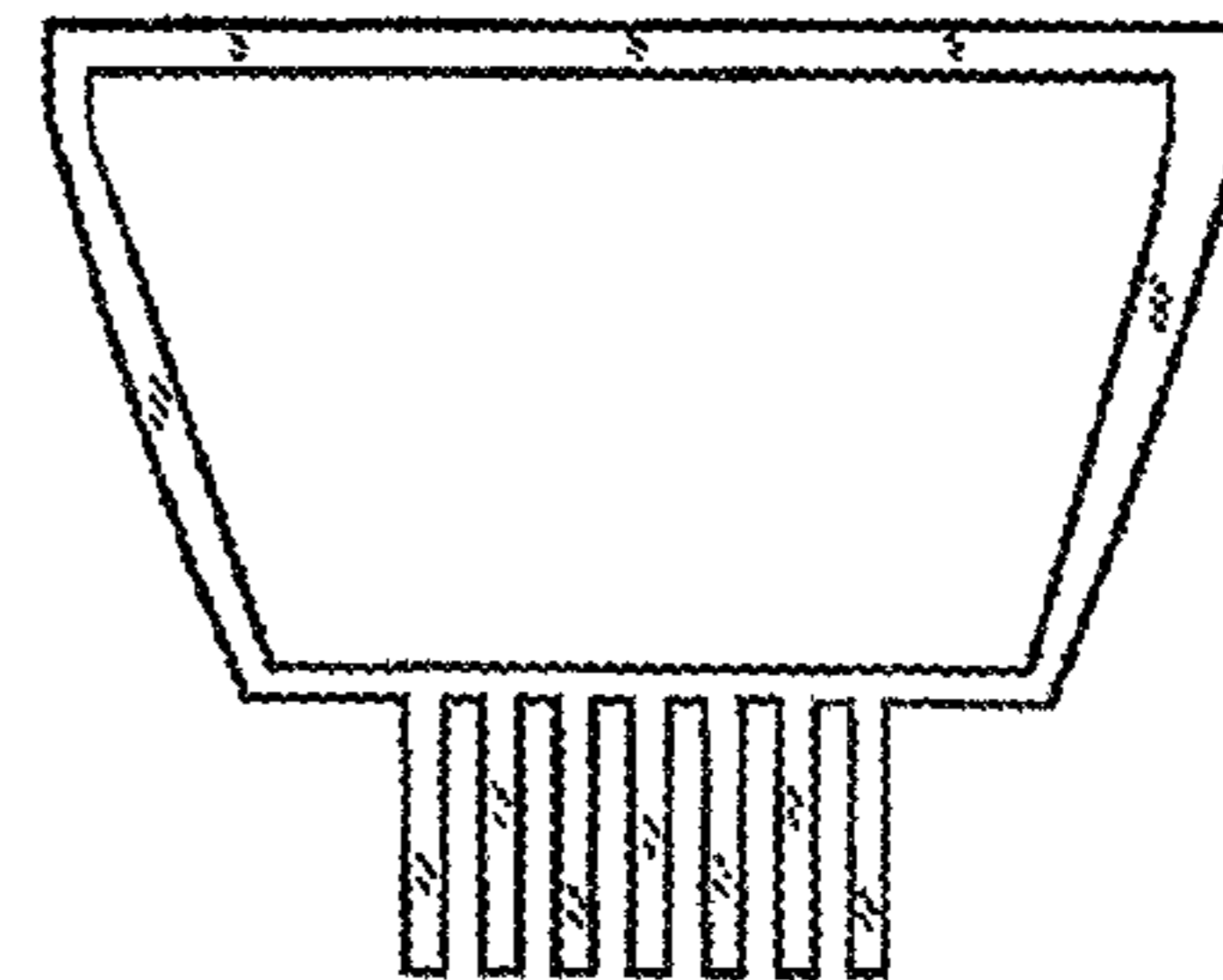


Fig. 4

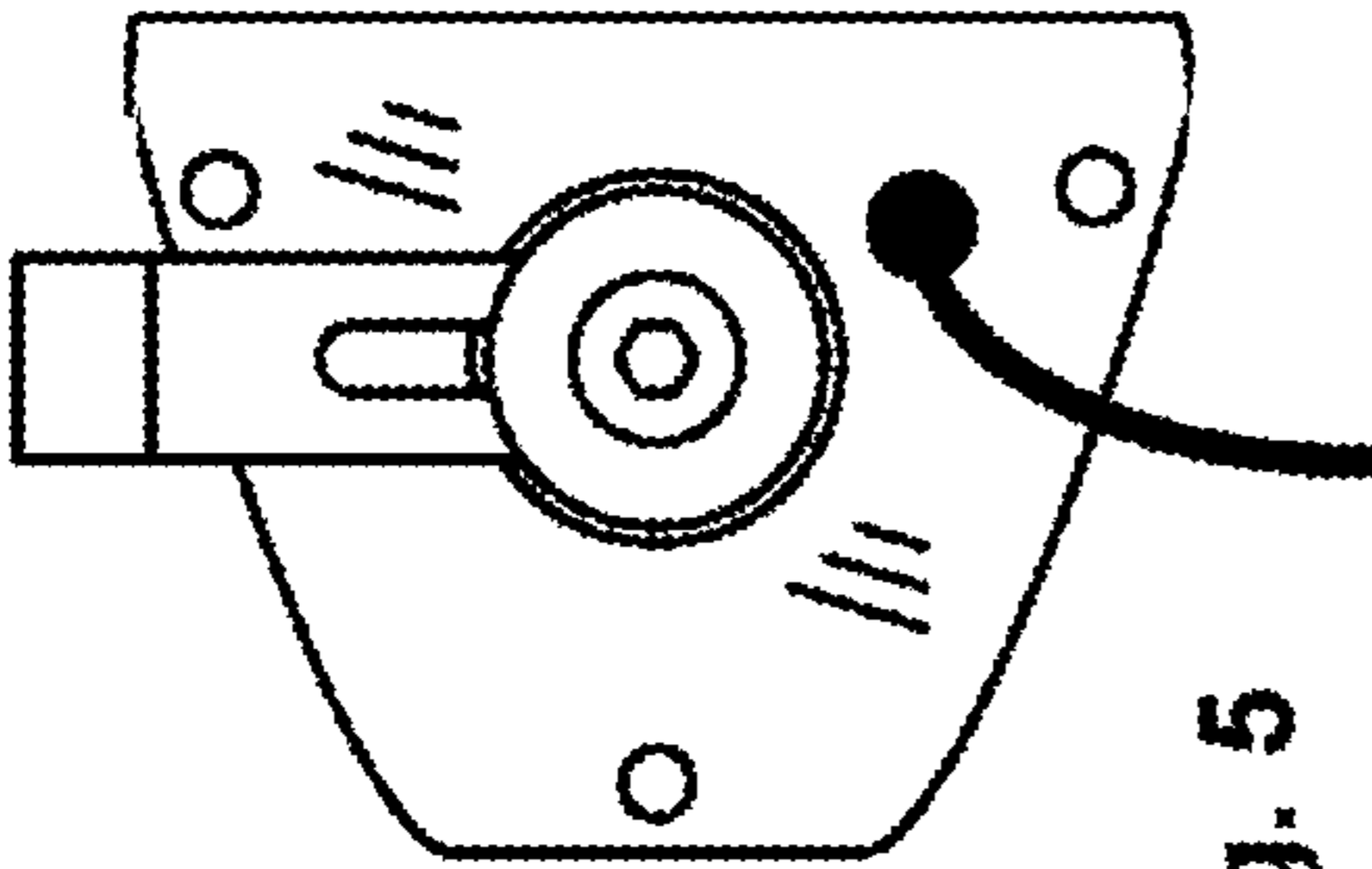


Fig. 5

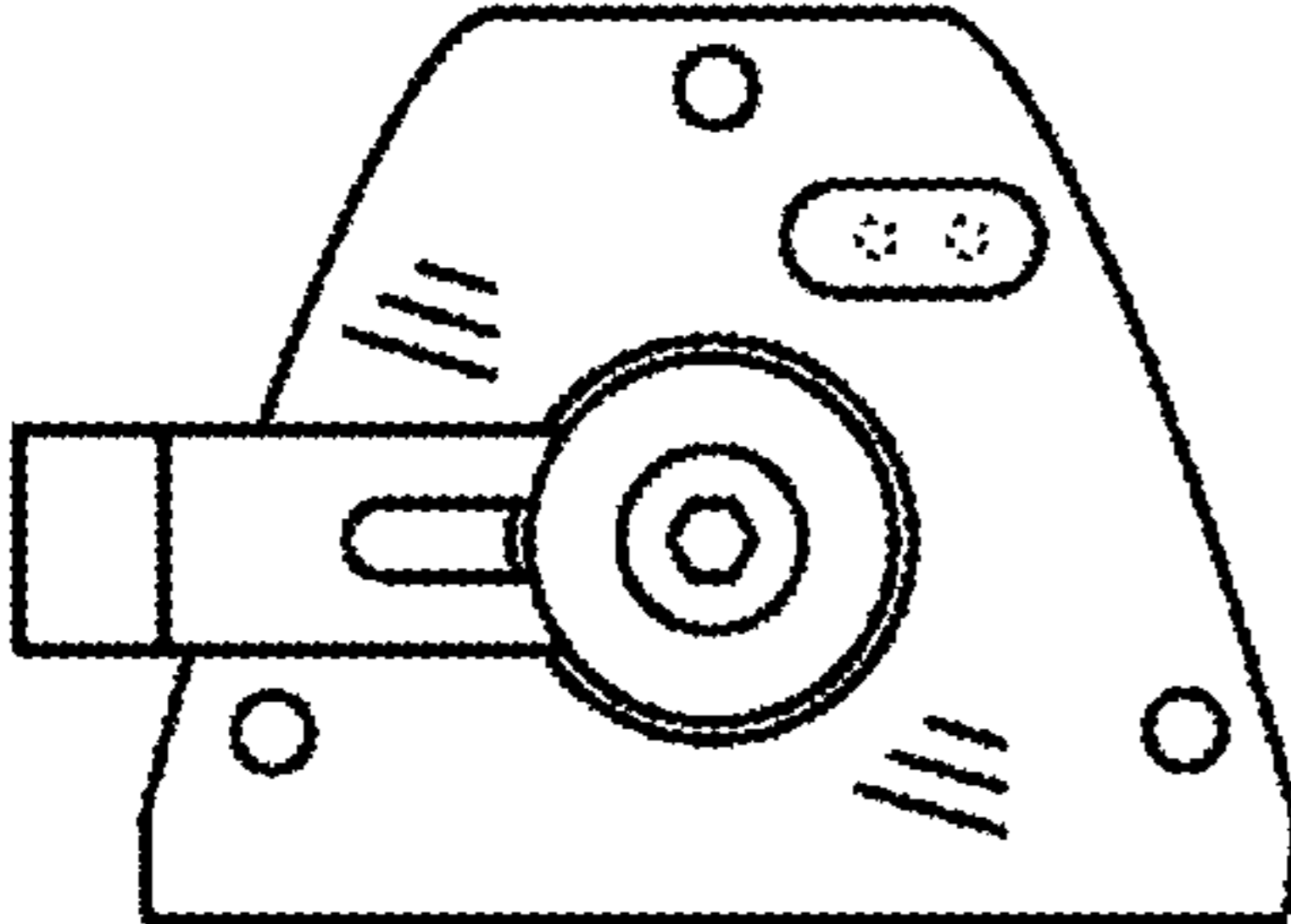


Fig. 6

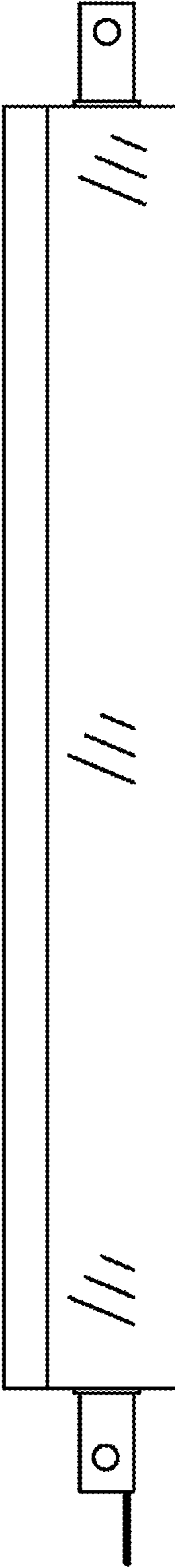


Fig. 7

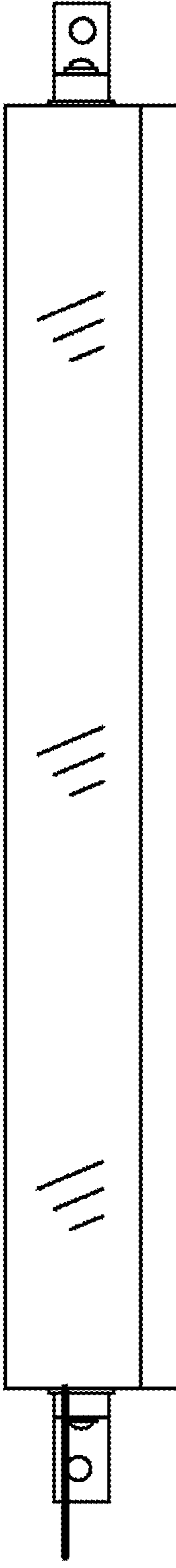


Fig. 8