



US00D757684S

(12) **United States Design Patent**  
**Feng**

(10) **Patent No.:** **US D757,684 S**  
(45) **Date of Patent:** **\*\* May 31, 2016**

(54) **WIRELESS SPEAKER WITH DOGGIE DESIGN**

(71) Applicant: **Shenzhen Great Power Enterprise Co., Limited**, Shenzhen (CN)

(72) Inventor: **Qixiang Feng**, Shenzhen (CN)

(73) Assignee: **Shenzhen Great Power Enterprise Co., Limited**, Shenzhen, Guangdong (CN)

(\*\*) Term: **14 Years**

(21) Appl. No.: **29/514,596**

(22) Filed: **Jan. 14, 2015**

(51) **LOC (10) Cl.** ..... **14-01**

(52) **U.S. Cl.**  
USPC ..... **D14/207**

(58) **Field of Classification Search**  
USPC ..... D14/207, 209.1, 221, 203.2, 200, 220, D14/189, 176, 177, 224.1, 232; D21/611, D21/588; D11/238, 239, 31, 51, 82, 158, D11/480; D30/160; D6/597; D10/7, 40, 446/183, 142; 181/153, 129, 130, 135; 381/300-303, 306, 332-334, 336, 345, 381/386-388

CPC ..... H04R 1/02  
See application file for complete search history.

(56) **References Cited**

**U.S. PATENT DOCUMENTS**

344,922	A *	7/1886	Rebentisch	.....	G04B 25/06	368/229
D37,864	S *	3/1906	Waite	.....	D11/100	
D71,526	S *	11/1926	Leigh	.....	D10/5	
D81,932	S *	9/1930	Howell	.....	D21/611	
D149,435	S *	4/1948	Neill	.....	312/7.1	
2,964,872	A *	12/1960	Coleman	.....	A63H 9/00	426/104

D218,138	S *	7/1970	Smith	.....	D1/110	
D242,484	S *	11/1976	Friedman	.....	D14/200	
D370,221	S *	5/1996	Firlow	.....	D14/135	
D386,182	S *	11/1997	Leifer	.....	D14/172	
D425,066	S *	5/2000	Bould	.....	D14/189	
6,560,802	B2 *	5/2003	Fujii	.....	A47G 9/1045	368/10
D501,518	S *	2/2005	Meiry	.....	D21/611	
D528,536	S *	9/2006	Topping	.....	D14/207	
D529,897	S *	10/2006	Topping	.....	D14/207	
D530,308	S *	10/2006	Topping	.....	D14/207	
7,298,284	B2 *	11/2007	Glime	.....	G09B 19/12	340/691.1
D607,877	S *	1/2010	Yu	.....	D14/216	
D641,338	S *	7/2011	Chen	.....	D14/209.1	
D650,538	S *	12/2011	Anderson	.....	D21/611	
8,169,859	B1 *	5/2012	Sheehan	.....	G04B 37/144	368/222
D672,995	S *	12/2012	Diaz	.....	D21/611	

\* cited by examiner

*Primary Examiner* — Paula Greene

(74) *Attorney, Agent, or Firm* — Novoclaims Patent Services LLC; Mei Lin Wong

(57) **CLAIM**

The ornamental design for a wireless speaker with doggie design, as shown and described.

**DESCRIPTION**

FIG. 1 is a perspective view of a wireless speaker with doggie design showing my new design.

FIG. 2 is a front view thereof.

FIG. 3 is a rear view thereof.

FIG. 4 is a left end view thereof.

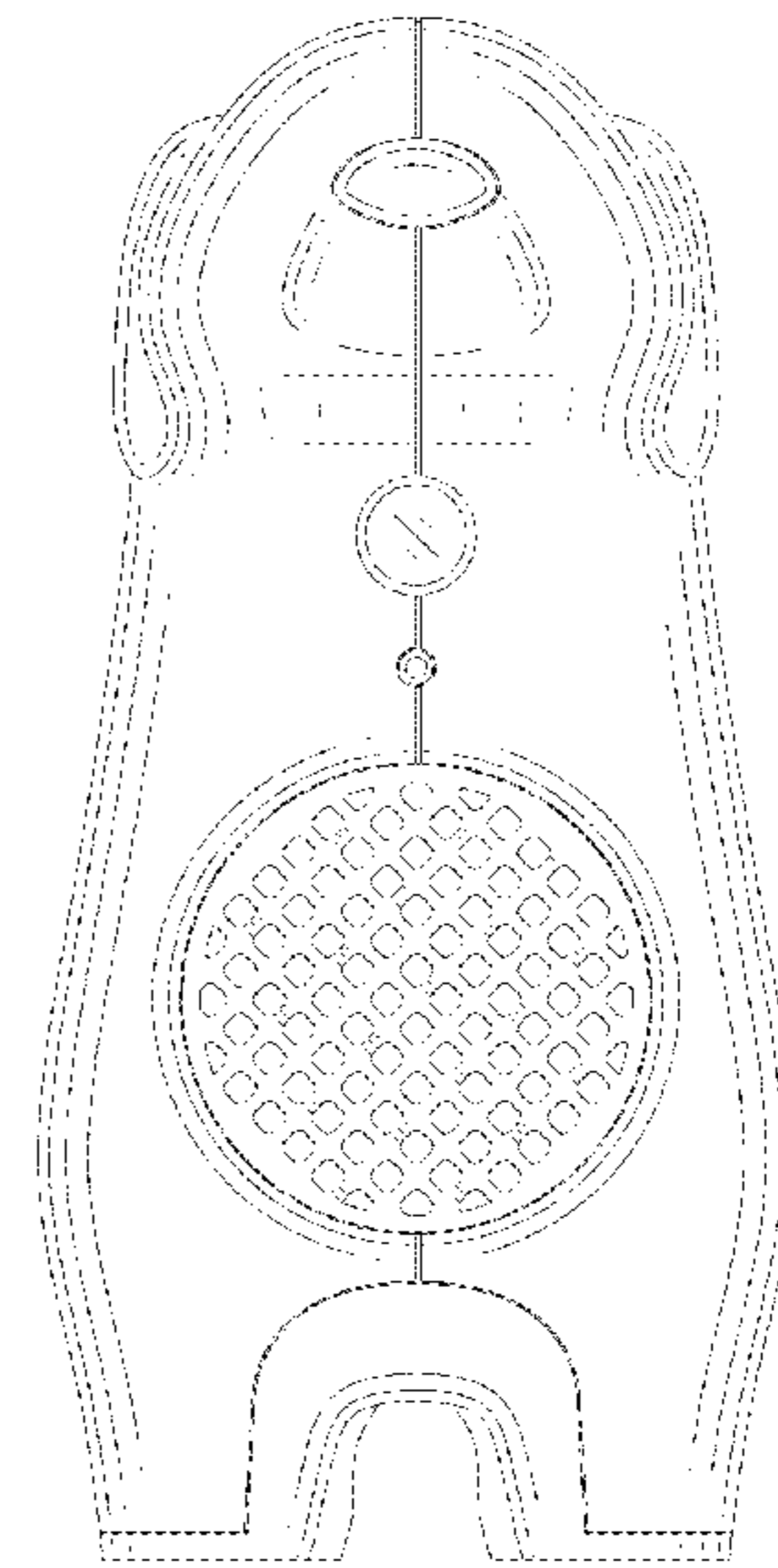
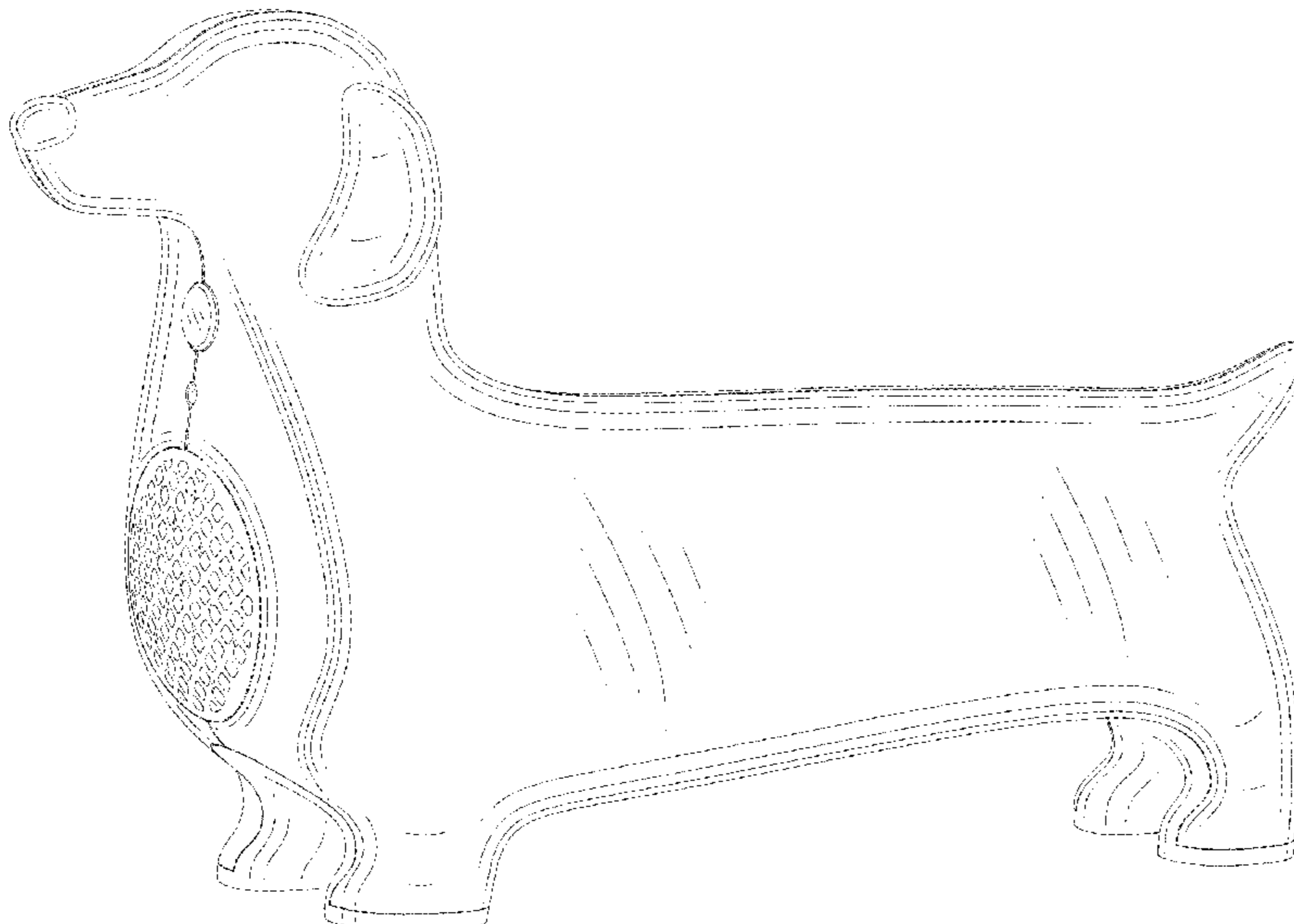
FIG. 5 is a right end view thereof.

FIG. 6 is a top view thereof; and,

FIG. 7 is a bottom view thereof.

The broken lines form no part of the claimed design.

**1 Claim, 7 Drawing Sheets**



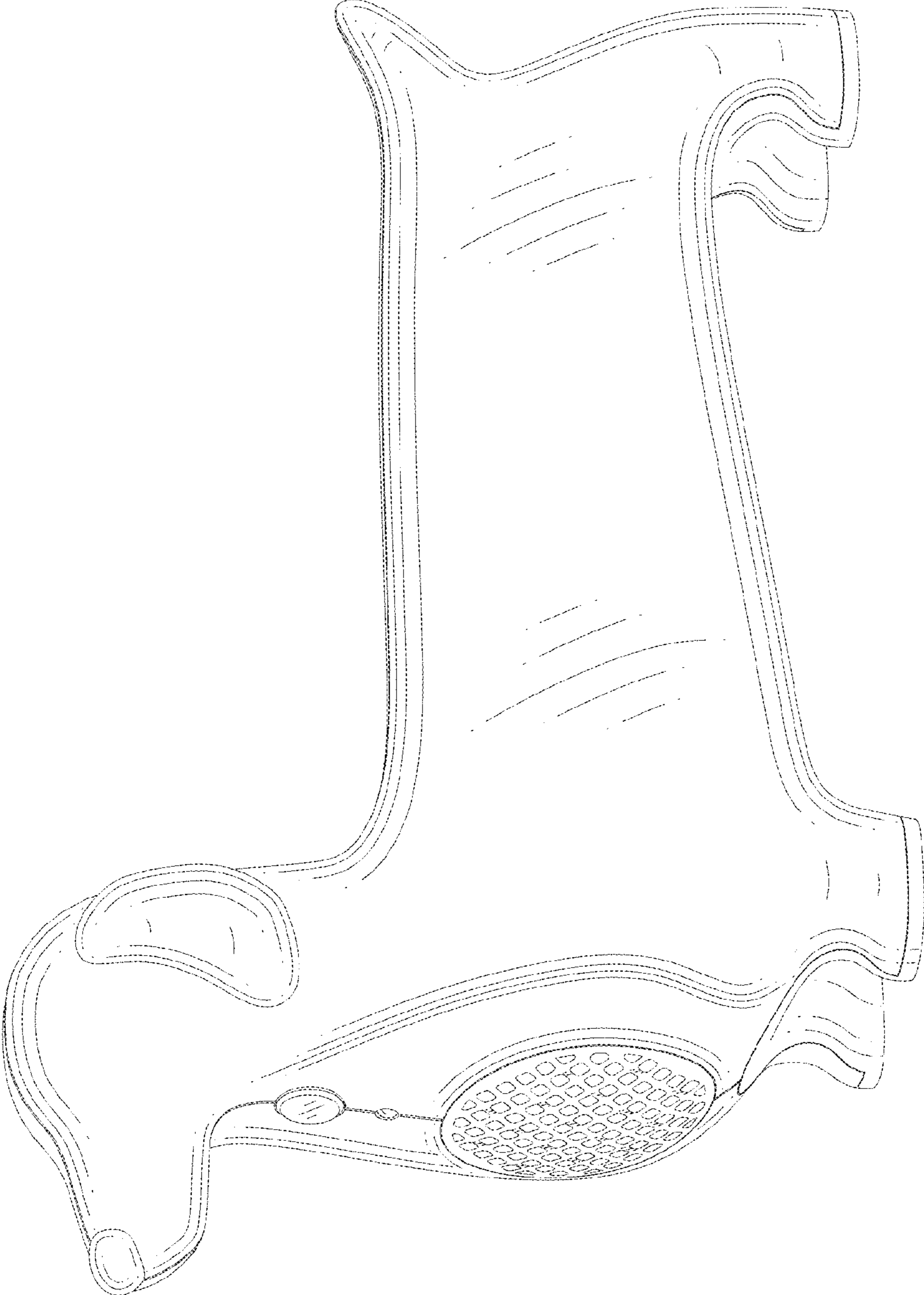


FIG.1

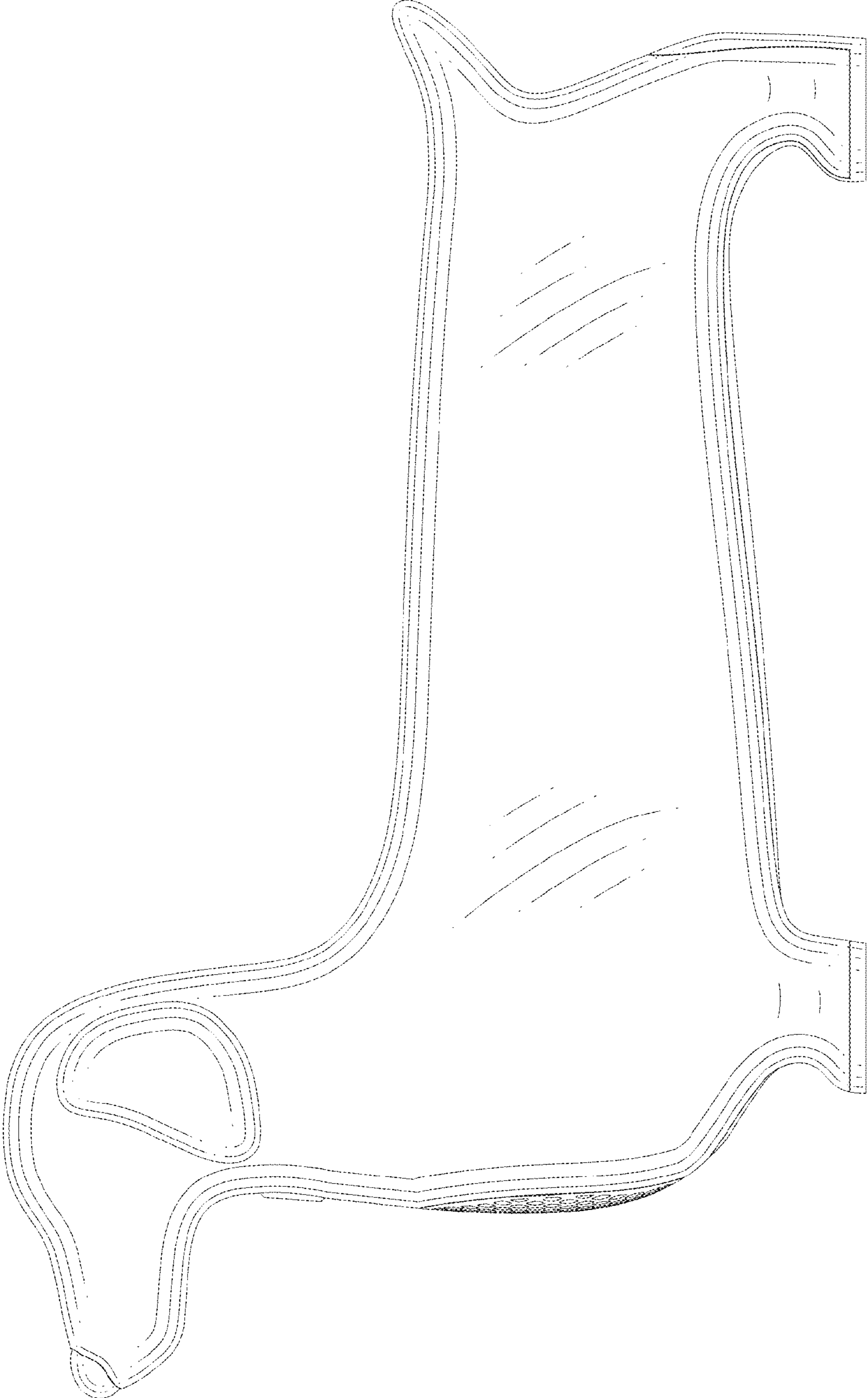


FIG.2

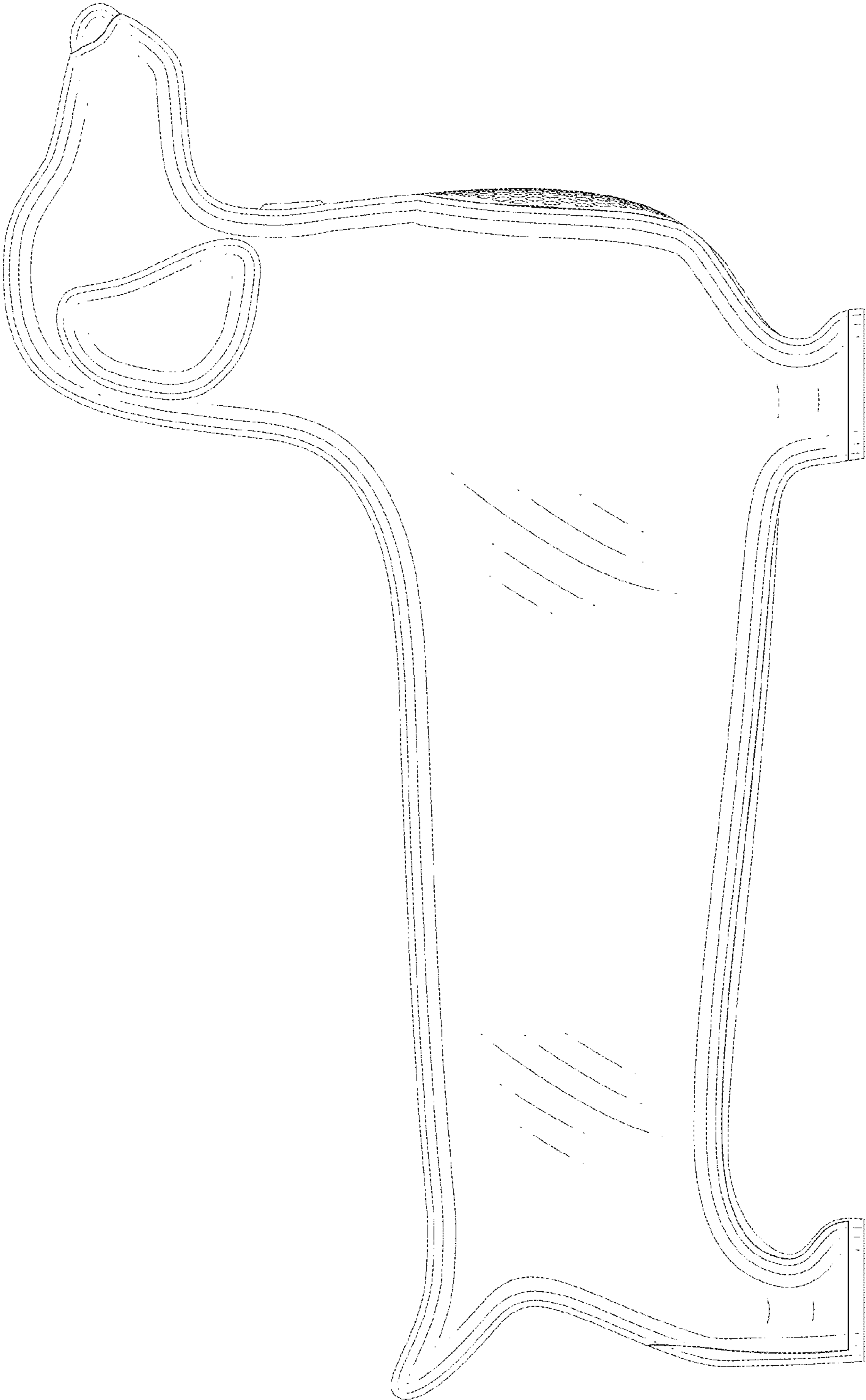


FIG.3



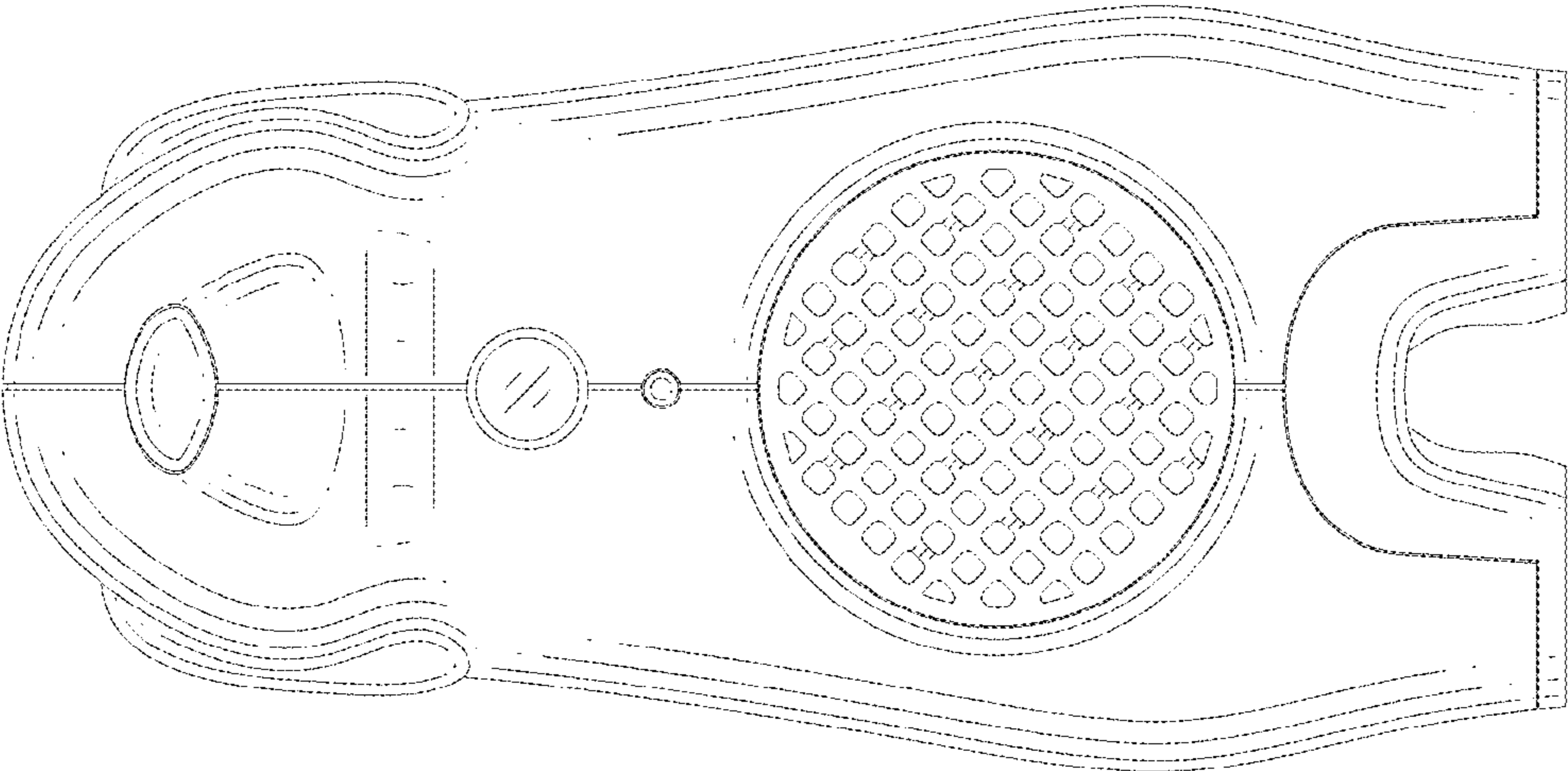


FIG.4

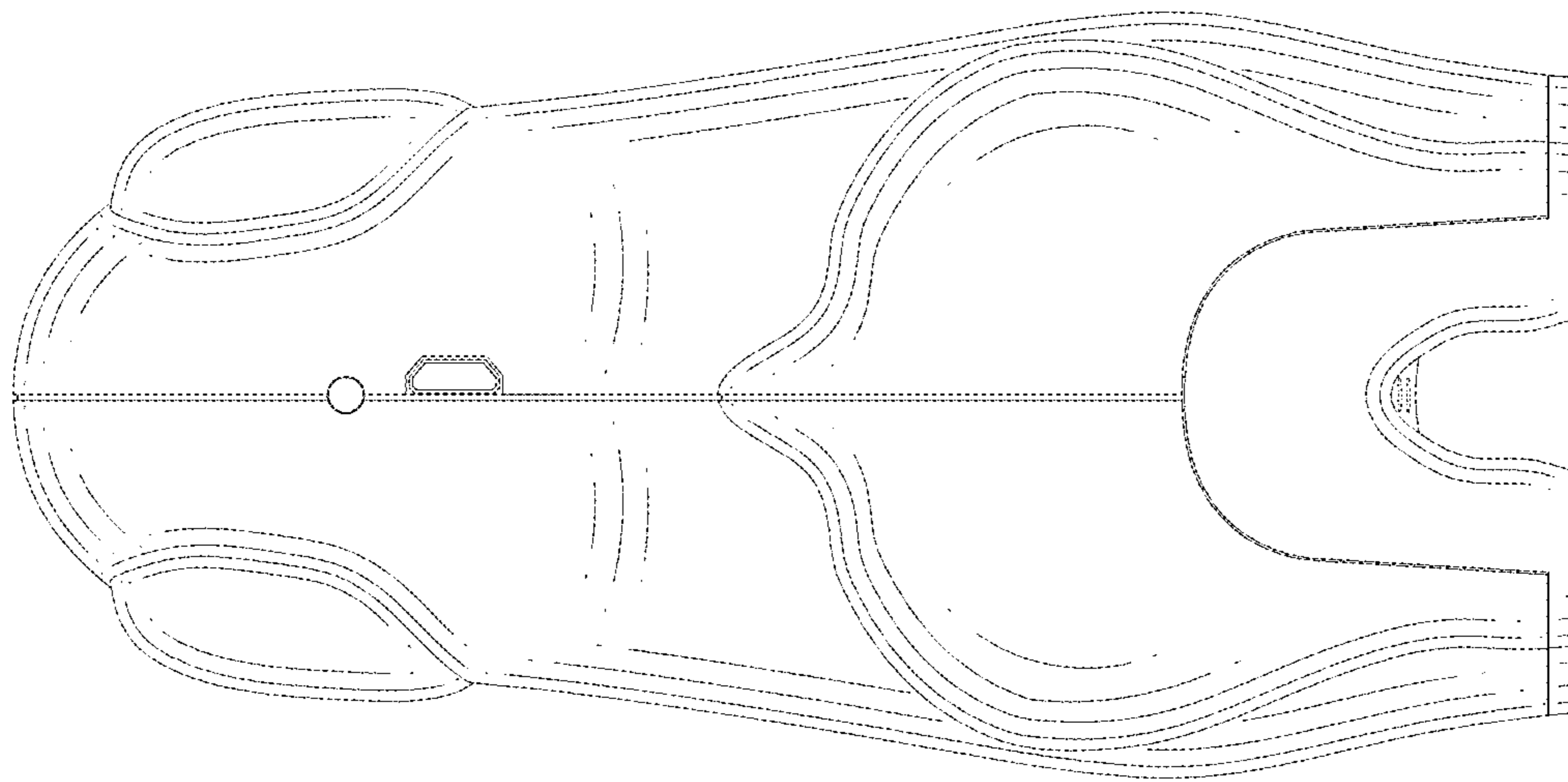


FIG.5

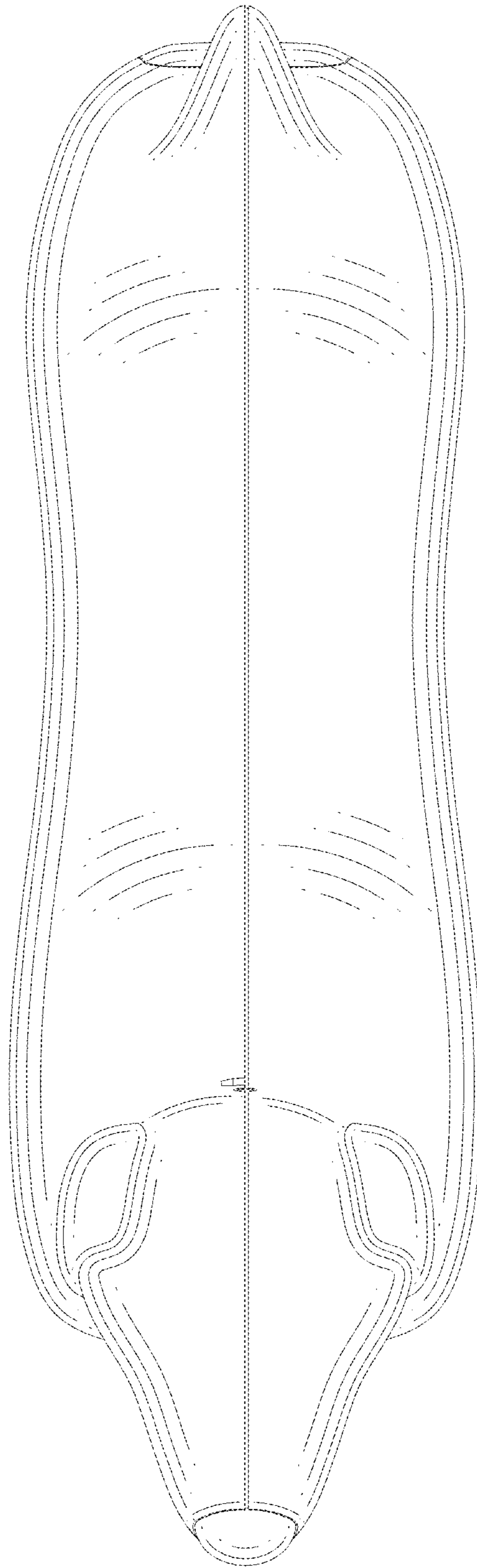


FIG. 6

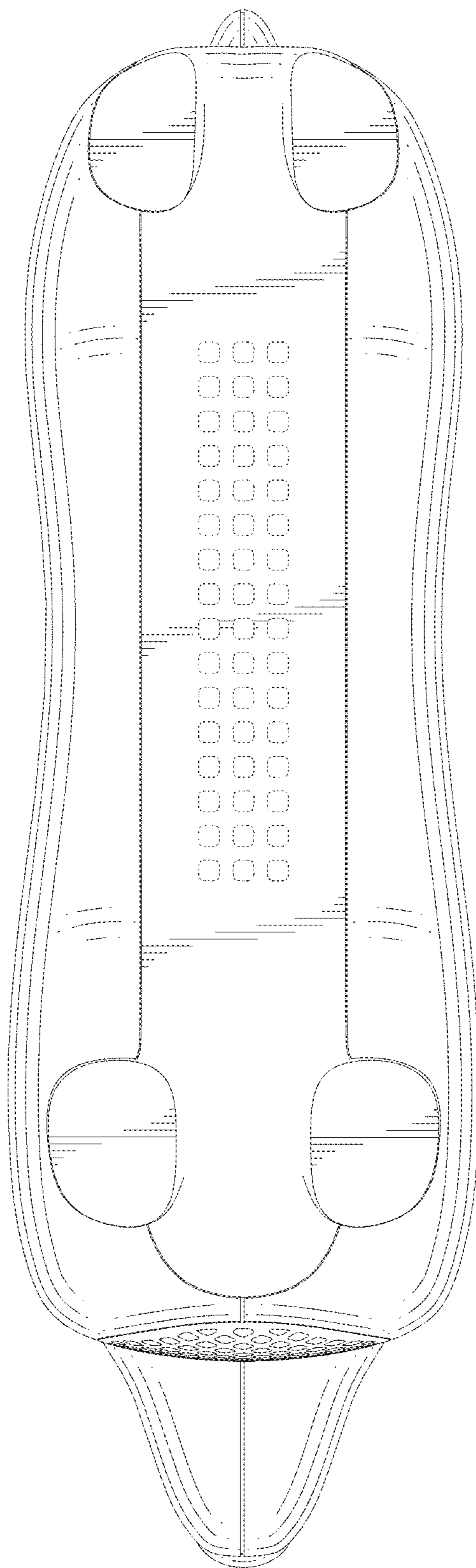


FIG.7