



US00D757683S

(12) **United States Design Patent**
Glezerman et al.

(10) **Patent No.:** **US D757,683 S**

(45) **Date of Patent:** **** May 31, 2016**

(54) **COMMUNICATION DEVICE**

(71) Applicant: **CARDO SYSTEMS, INC.**, Pittsburgh, PA (US)

(72) Inventors: **Abraham Glezerman**, Tel Aviv (IL);
Abraham Moato, Rishon LeZion (IL);
Uri Gilboa, Givatayim (IL)

(73) Assignee: **CARDO SYSTEMS, INC.**, Pittsburgh, PA (US)

(**) Term: **14 Years**

(21) Appl. No.: **29/512,796**

(22) Filed: **Dec. 23, 2014**

(30) **Foreign Application Priority Data**

Jun. 30, 2014 (IL) 55766

(51) **LOC (10) Cl.** **14-01**

(52) **U.S. Cl.**
USPC **D14/206; D14/233**

(58) **Field of Classification Search**
USPC D14/205, 206, 223, 142, 192, 225;
379/430, 431; 381/374, 375, 370, 371,
381/380, 381, 327, 330; 455/90.3, 575.2,
455/568, 569.1, 556.1
CPC H04R 25/00; H04R 1/10; H04R 5/033;
H04R 5/0335
See application file for complete search history.

(56) **References Cited**

U.S. PATENT DOCUMENTS

D196,515 S * 10/1963 Flygstad et al. D14/227
3,280,273 A * 10/1966 Flygstad H04M 1/05
379/430
D220,497 S * 4/1971 Egli et al. D14/225
D266,242 S * 9/1982 Radzelovage D14/225
4,357,711 A * 11/1982 Drefko A42B 3/30
2/422
D295,403 S * 4/1988 Oleson D14/225
D299,335 S * 1/1989 Wiegel D14/205

D306,725 S * 3/1990 Tanaka D14/137
D354,568 S * 1/1995 Araki D24/174
5,590,209 A * 12/1996 Pratt H04R 1/083
2/422
5,721,775 A * 2/1998 Leifer H04M 1/05
379/430
D391,964 S * 3/1998 Balzano D14/205
6,055,312 A * 4/2000 Pralus H04M 1/05
379/430
D424,568 S * 5/2000 Gerdom D14/222
D425,511 S * 5/2000 Gerdom D14/222
6,075,857 A * 6/2000 Doss, Jr. A42B 3/30
379/430
D443,603 S * 6/2001 Taylor D14/206
D445,415 S * 7/2001 Jaakkola D14/223
D445,416 S * 7/2001 Glezerman D14/206
D457,513 S * 5/2002 Pirelli D14/223
D460,752 S * 7/2002 Gerdom D14/222
D460,960 S * 7/2002 Kao D14/223
D471,898 S * 3/2003 Bae D14/205
6,754,361 B1 * 6/2004 Hall H04R 1/1025
379/430
6,760,459 B2 * 7/2004 Bae H01R 1/1025
379/430
6,768,804 B1 * 7/2004 Isvan H04R 1/083
181/20
D504,419 S * 4/2005 Bey D14/223
6,929,249 B1 * 8/2005 Kim B66F 3/35
254/2 B
7,003,317 B2 * 2/2006 Belcher H04B 1/385
379/420.04

(Continued)

Primary Examiner — Paula Greene
(74) *Attorney, Agent, or Firm* — Andrew W. Chu; Craft Chu PLLC

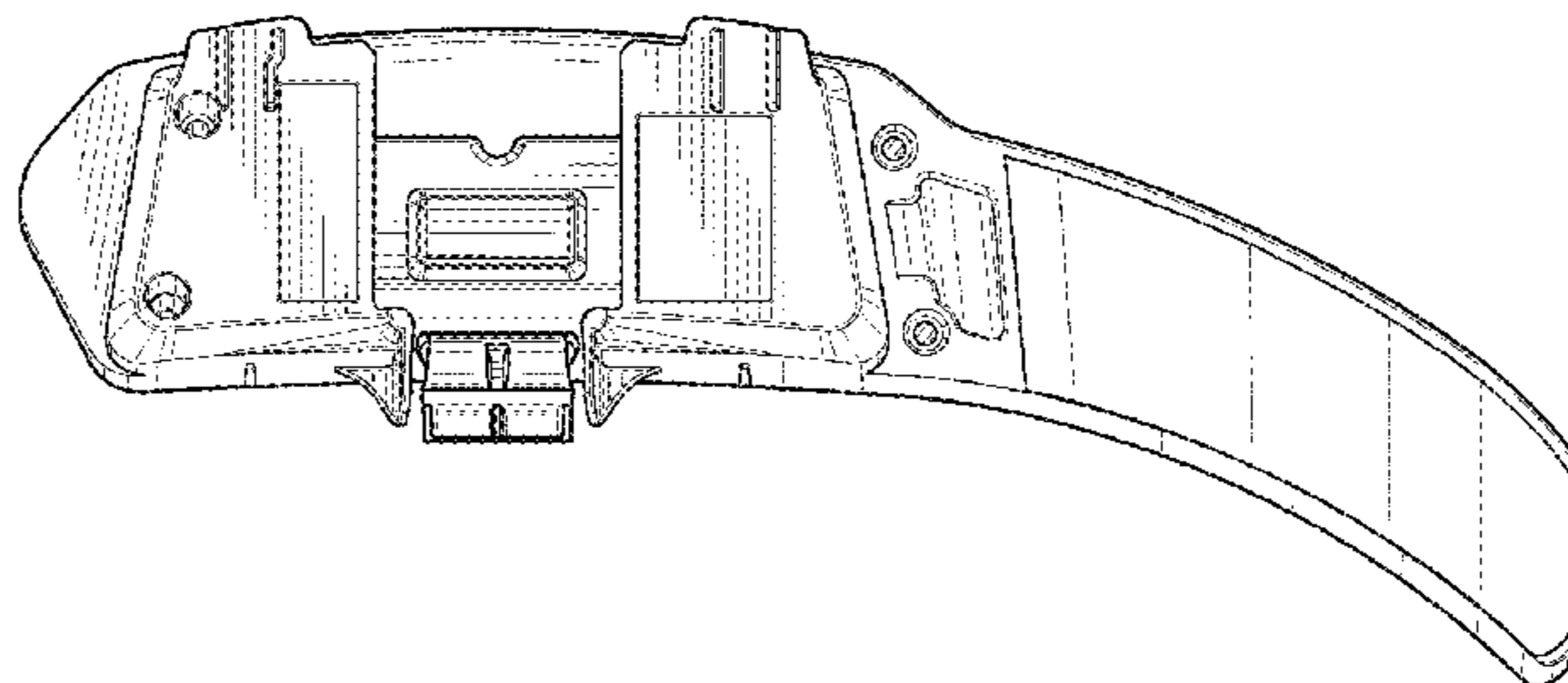
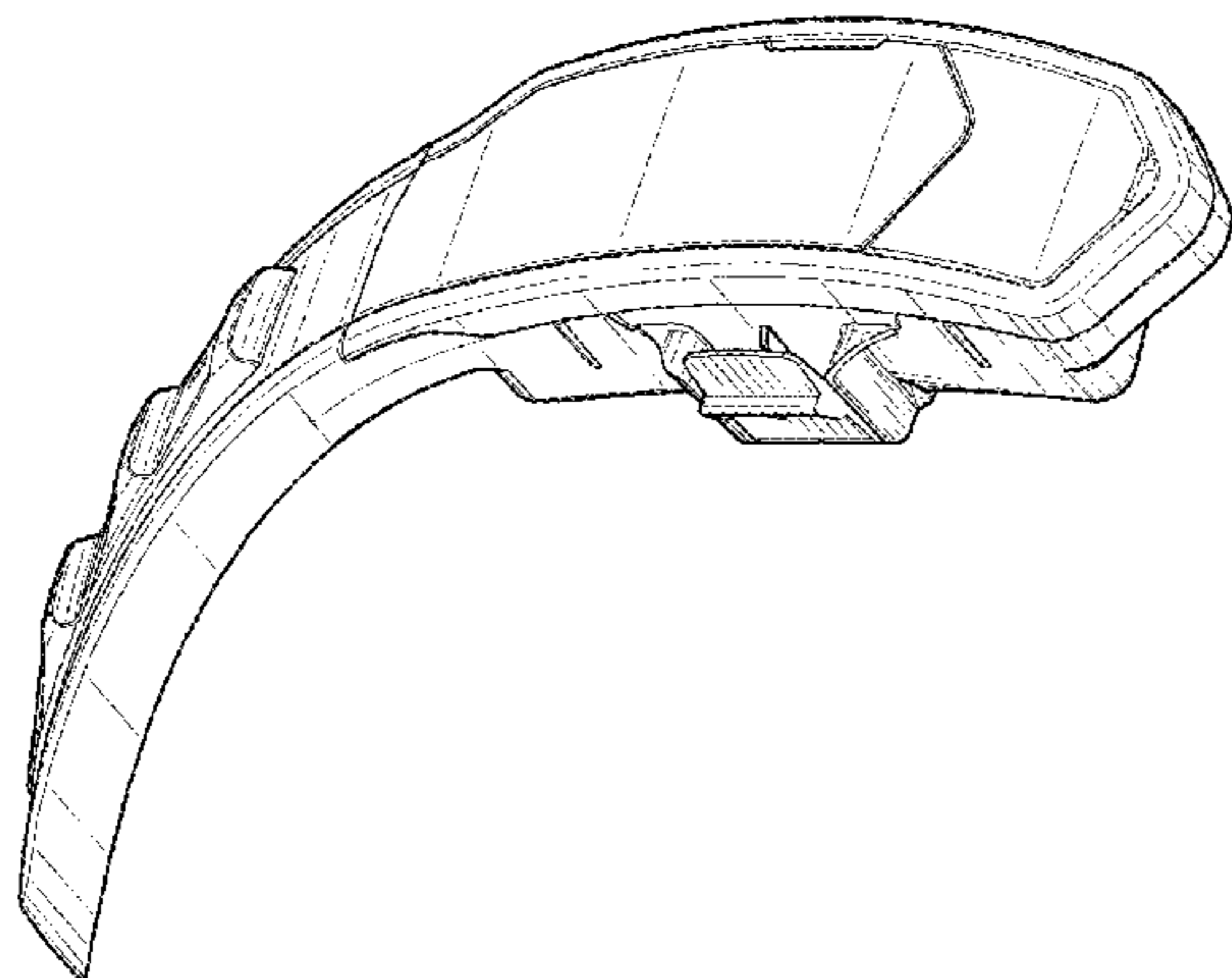
(57) **CLAIM**

The ornamental design for a communication device, as shown and described.

DESCRIPTION

FIG. 1 is a perspective view of the communication device showing my design.
FIG. 2 is a rear elevation view thereof;
FIG. 3 is a front elevation view thereof;
FIG. 4 is a top plan view thereof, including protrusion attachments in broken lines; and,
FIG. 5 is a bottom plan view thereof.
The broken lines form no part of the claimed design.

1 Claim, 2 Drawing Sheets



(56)

References Cited

U.S. PATENT DOCUMENTS

D517,054 S *	3/2006	Yang	D14/205	D604,722 S *	11/2009	Mistry	D14/223
D527,376 S *	8/2006	Swain	D14/223	D618,221 S *	6/2010	Fahrendorff	D14/223
D538,271 S *	3/2007	Kim	D14/223	D663,715 S *	7/2012	Glezerman	D14/205
D542,267 S *	5/2007	Cha	D14/206	D696,647 S *	12/2013	Houghton	D14/223
D552,596 S *	10/2007	Christopher	D14/205	8,706,043 B2 *	4/2014	Glezerman	H04B 1/385 455/545.2
D555,151 S *	11/2007	Eklund	D14/223	D713,822 S *	9/2014	Paradise	D14/206
D603,378 S *	11/2009	Paradise	D14/223	D736,177 S *	8/2015	Winters	D14/192
					2004/0204208 A1 *	10/2004	Thompson	A42B 3/30 455/575.2

* cited by examiner

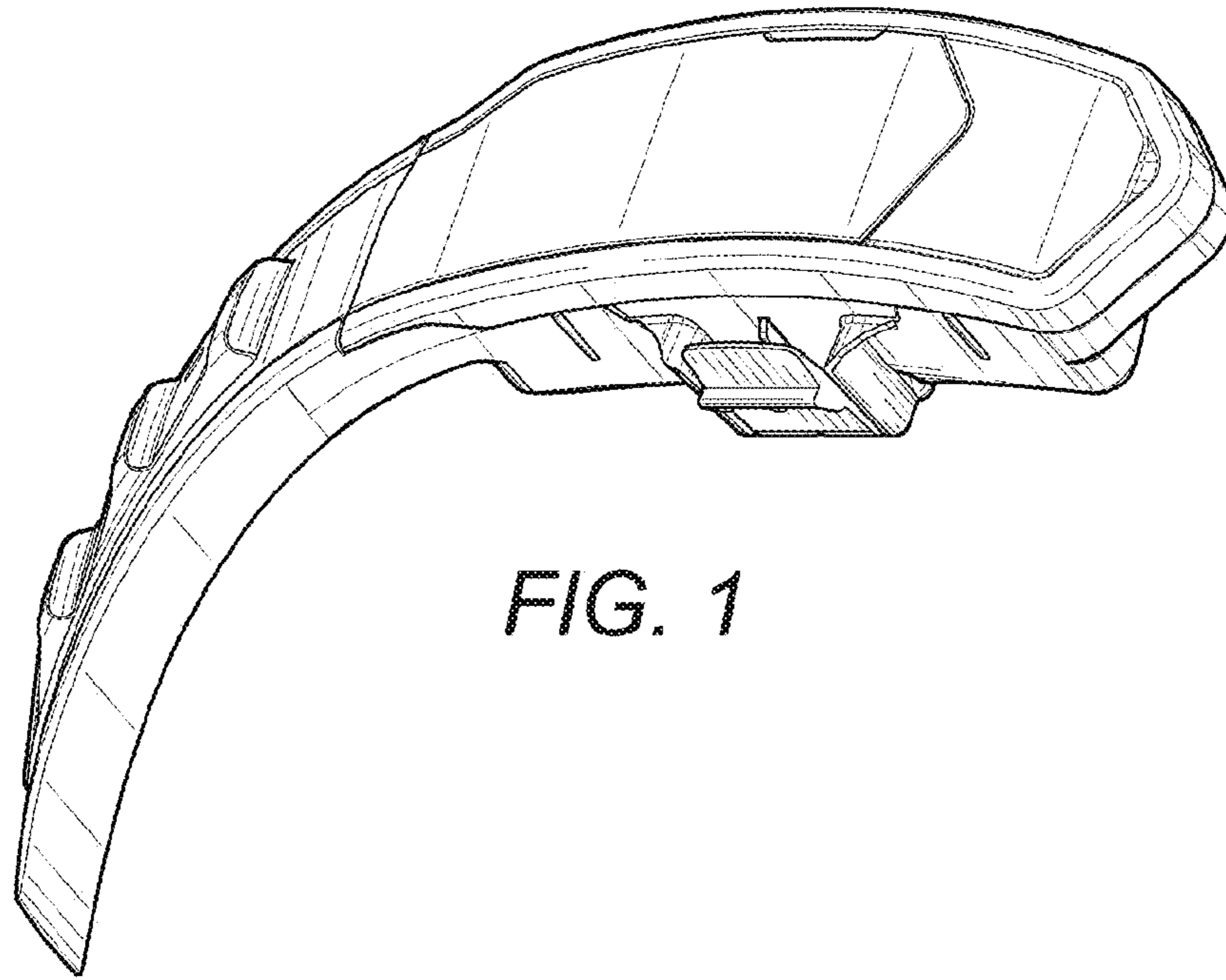


FIG. 1

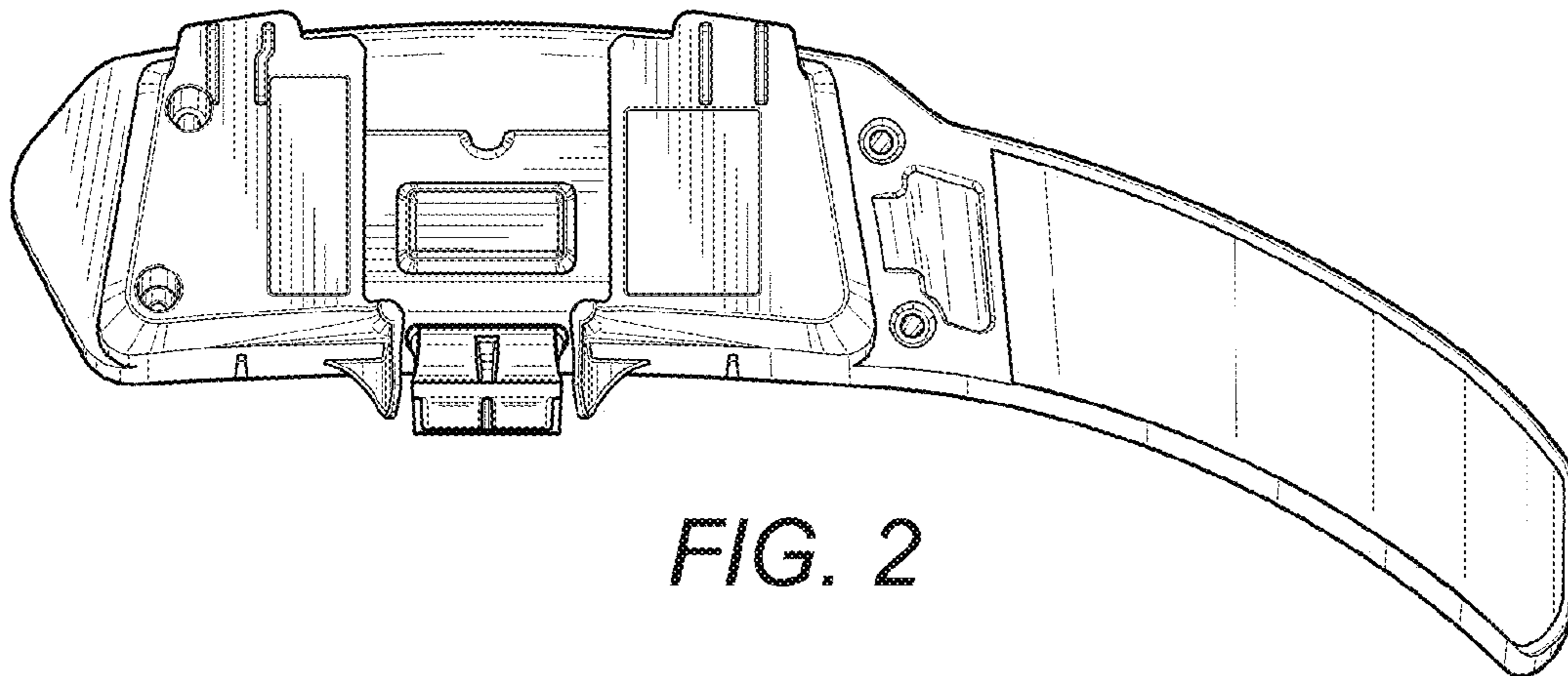


FIG. 2

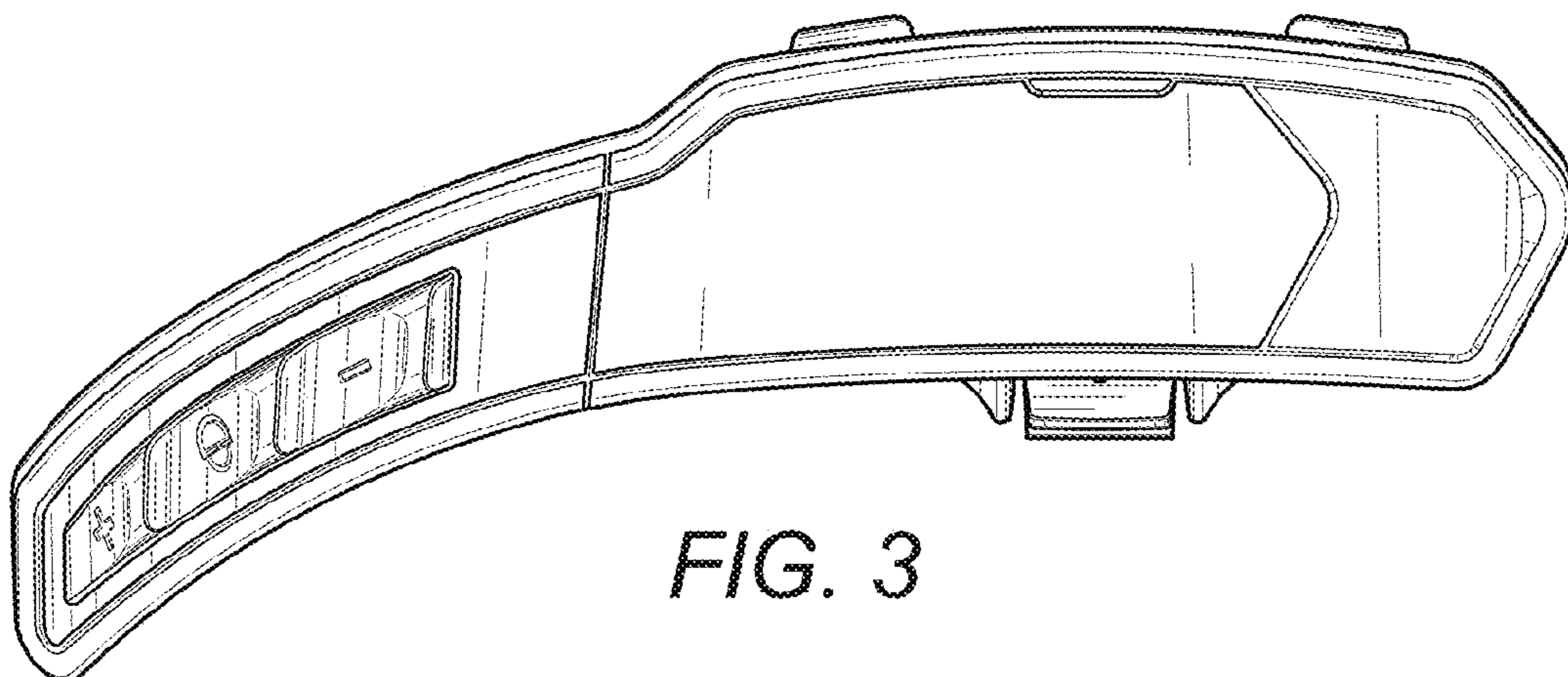


FIG. 3

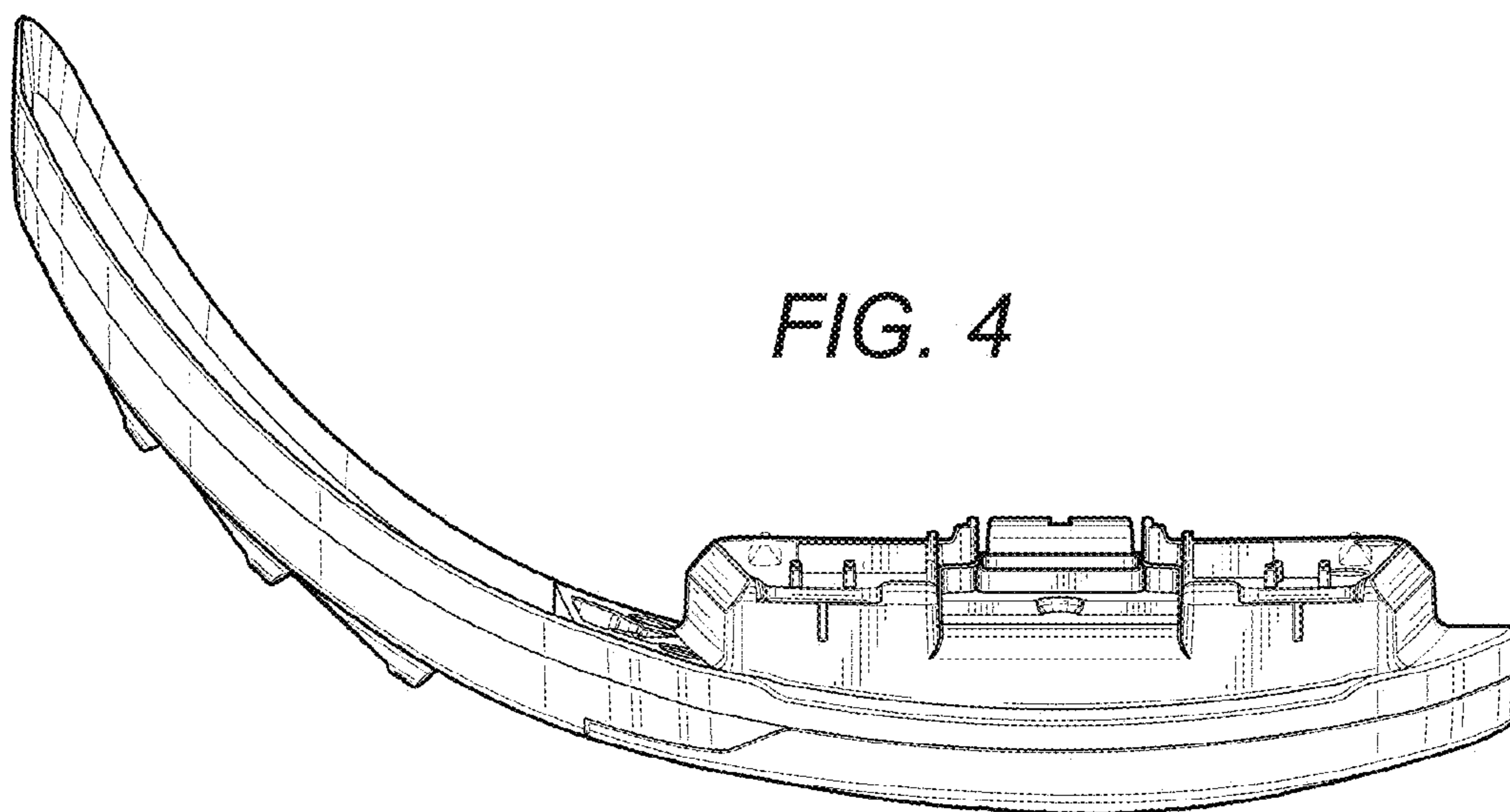


FIG. 4

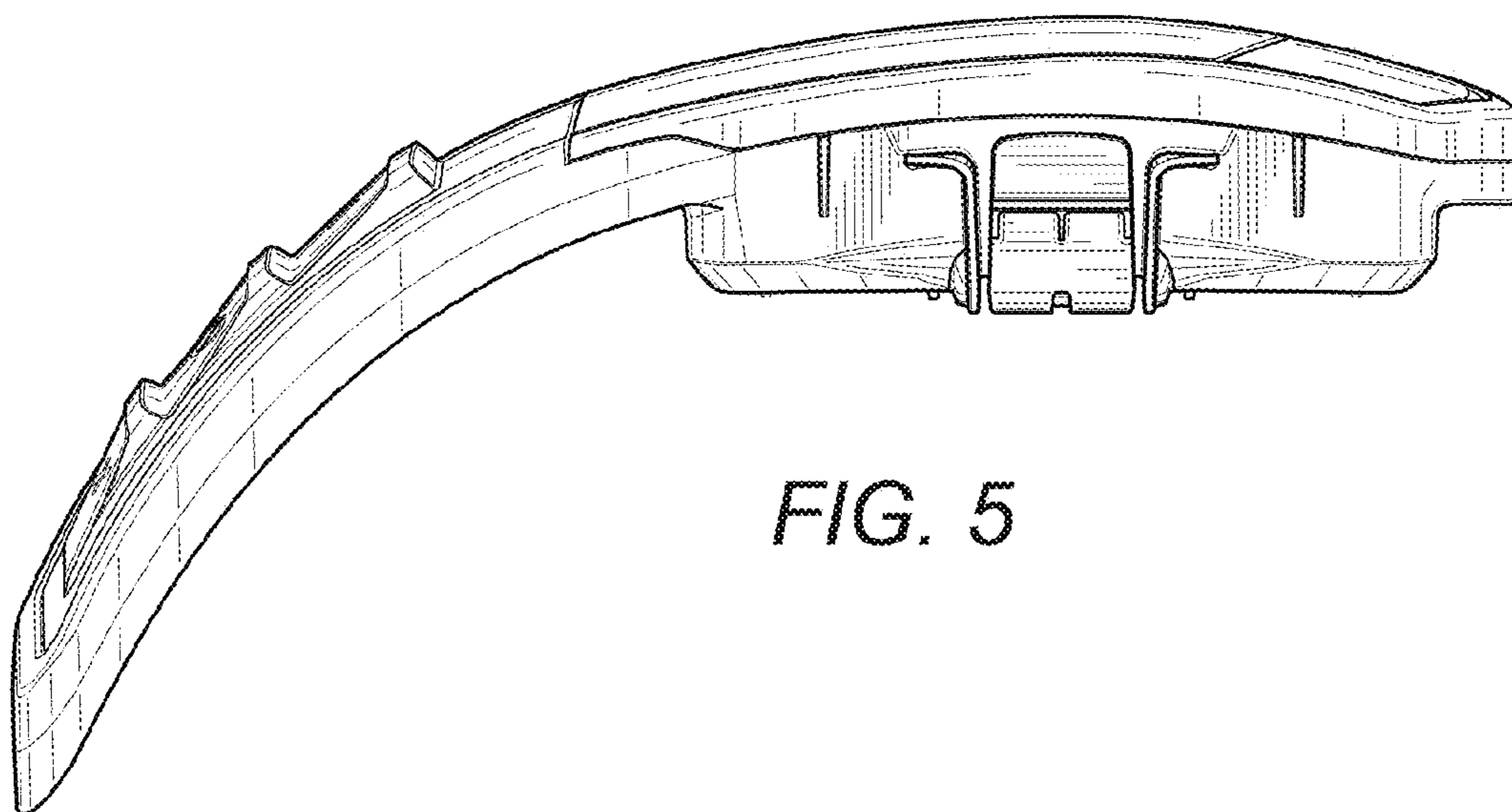


FIG. 5