



US00D757681S

(12) **United States Design Patent**  
**Kuskin et al.**

(10) **Patent No.:** **US D757,681 S**  
(45) **Date of Patent:** **\*\* May 31, 2016**

(54) **HEADPHONES**

(71) Applicants: **Michael Kuskin**, Red Bank, NJ (US);  
**Max B. Harrington-Knopf**, Brooklyn,  
NY (US)

(72) Inventors: **Michael Kuskin**, Red Bank, NJ (US);  
**Max B. Harrington-Knopf**, Brooklyn,  
NY (US)

(\*\*) Term: **14 Years**

(21) Appl. No.: **29/516,912**

(22) Filed: **Feb. 6, 2015**

(51) **LOC (10) Cl.** ..... **14-01**

(52) **U.S. Cl.**  
USPC ..... **D14/205**

(58) **Field of Classification Search**  
USPC ..... D14/205, 206, 188, 192; D29/112, 128;  
2/209; 181/129, 130, 135; 379/430,  
379/431; 381/380, 381, 74, 151; 455/90.3,  
455/575.1

CPC ..... H04R 1/1066  
See application file for complete search history.

(56) **References Cited**

**U.S. PATENT DOCUMENTS**

|               |         |                 |                       |
|---------------|---------|-----------------|-----------------------|
| D135,674 S *  | 5/1943  | Williams et al. | 381/374               |
| 3,085,253 A * | 4/1963  | Ulrich          | A61F 11/14<br>181/256 |
| D244,213 S *  | 5/1977  | Besasie         | D14/223               |
| D245,977 S *  | 10/1977 | Mouttet         | D13/133               |
| 4,175,217 A * | 11/1979 | Williams        | H04M 1/23<br>379/430  |
| D255,569 S *  | 6/1980  | Lung            | D14/168               |
| D258,430 S *  | 3/1981  | Hayashi         | D14/205               |
| D276,855 S *  | 12/1984 | Falco           | D29/112               |
| D286,873 S *  | 11/1986 | Ikeda           | D14/205               |
| D288,141 S *  | 2/1987  | Pozzini         | D14/205               |
| D291,197 S *  | 8/1987  | LaLanne         | D14/205               |
| D292,400 S *  | 10/1987 | Boggs           | D14/147               |
| D302,429 S *  | 7/1989  | Leer            | D14/137               |
| D305,759 S *  | 1/1990  | Balbuena        | D14/144               |
| D327,888 S *  | 7/1992  | Fitzgerald      | D14/138 R             |

|                   |         |             |                        |
|-------------------|---------|-------------|------------------------|
| D345,977 S *      | 4/1994  | Nagele      | D13/108                |
| D357,477 S *      | 4/1995  | Mueller     | D14/206                |
| 5,500,958 A *     | 3/1996  | Falco       | A61F 11/14<br>2/209    |
| 6,038,330 A *     | 3/2000  | Meucci, Jr. | H04R 1/1075<br>345/8   |
| D442,340 S *      | 5/2001  | Leight      | D29/112                |
| D520,492 S *      | 5/2006  | Chen        | D14/205                |
| D589,492 S *      | 3/2009  | Mistry      | D14/205                |
| 7,766,120 B2 *    | 8/2010  | Hansson     | A61F 11/14<br>181/129  |
| 7,853,034 B1 *    | 12/2010 | Gresko      | H04R 1/1058<br>381/370 |
| D641,725 S *      | 7/2011  | Chong       | D14/205                |
| D672,744 S *      | 12/2012 | Scarpa      | D14/205                |
| D739,843 S *      | 9/2015  | Daniel      | D14/205                |
| 2009/0205110 A1 * | 8/2009  | Chiang      | A61F 11/06<br>2/209    |

\* cited by examiner

*Primary Examiner* — Paula Greene

(74) *Attorney, Agent, or Firm* — Moser Taboada

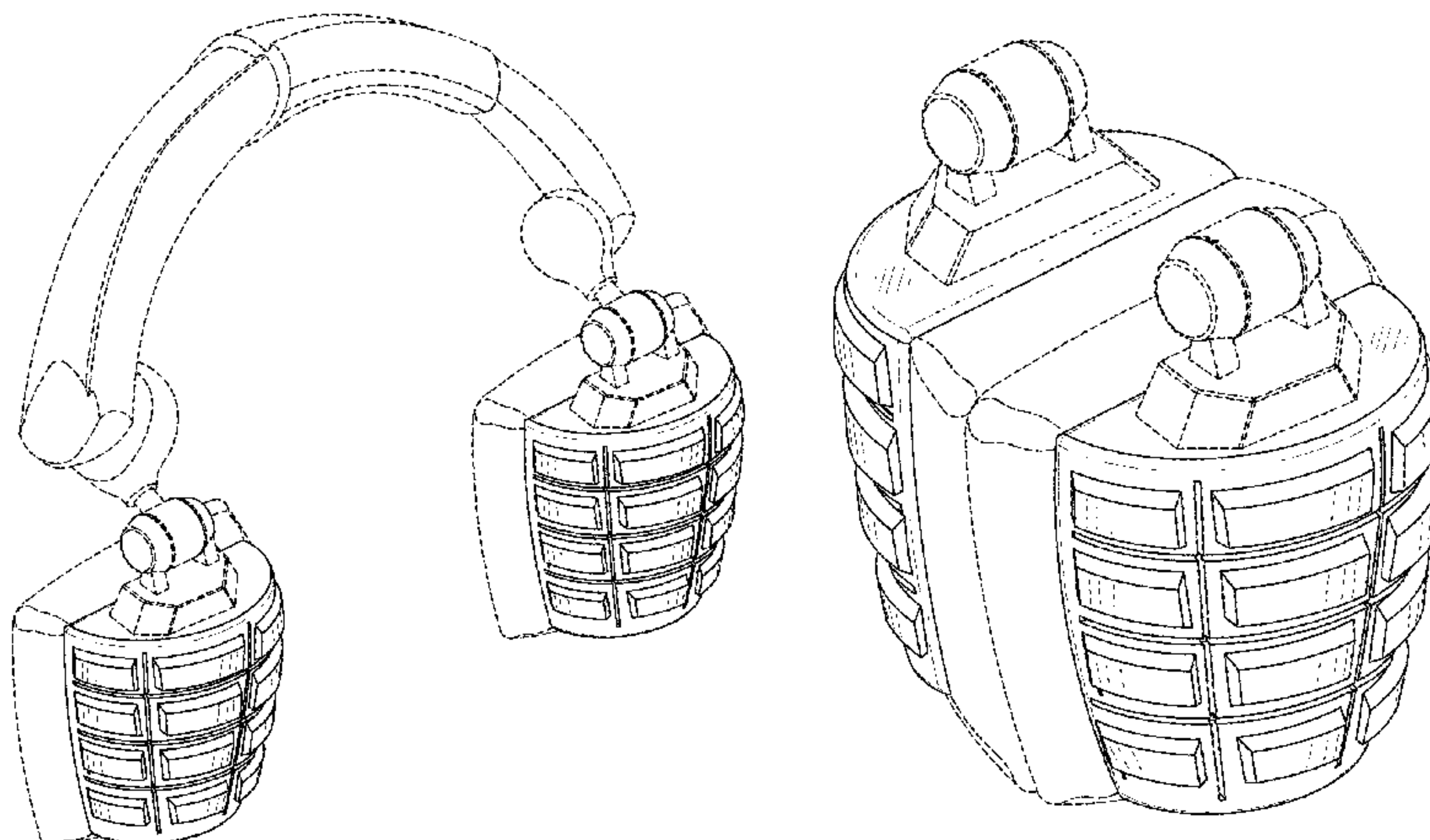
(57) **CLAIM**

The ornamental design for headphones, substantially as shown and described.

**DESCRIPTION**

FIG. 1 is a perspective view of the headphones showing my new design;  
 FIG. 2 is a front elevational view of the headphones thereof;  
 FIG. 3 is a back elevational view thereof;  
 FIG. 4 is a left side elevational view thereof;  
 FIG. 5 is a right side elevational view thereof;  
 FIG. 6 is a top plan view thereof;  
 FIG. 7 is a bottom plan view thereof;  
 FIG. 8 is a perspective view thereof;  
 FIG. 9 is a front elevational view of FIG. 8  
 FIG. 10 is a rear elevational view of FIG. 8;  
 FIG. 11 is a left side elevational view of FIG. 8;  
 FIG. 12 is a right side elevational view of FIG. 8  
 FIG. 13 is a top plan view of FIG. 8; and,  
 FIG. 14 is a bottom plan view of FIG. 8.  
 The broken lines form no part of the claimed design.

**1 Claim, 10 Drawing Sheets**



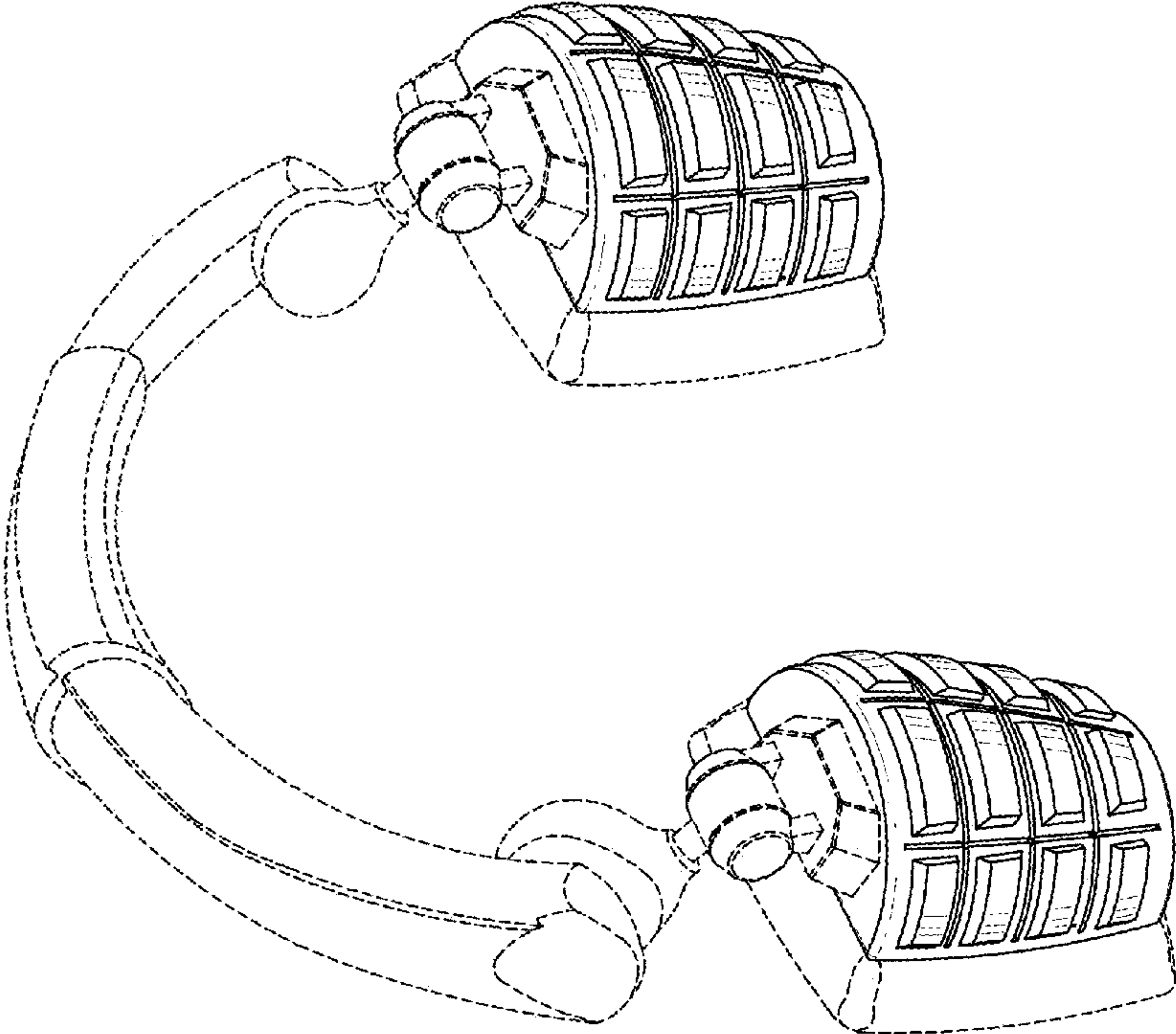


FIG. 1

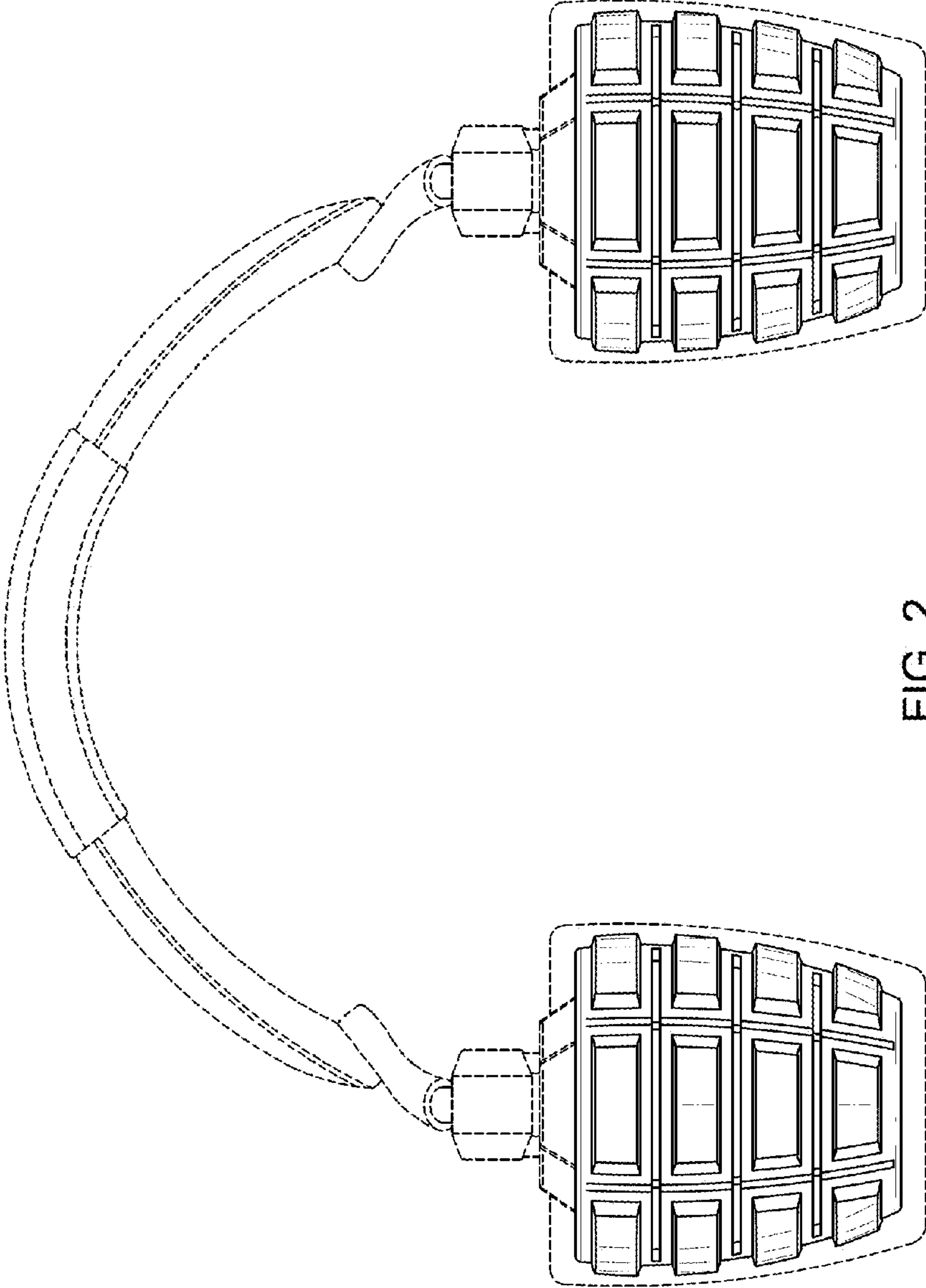


FIG. 2

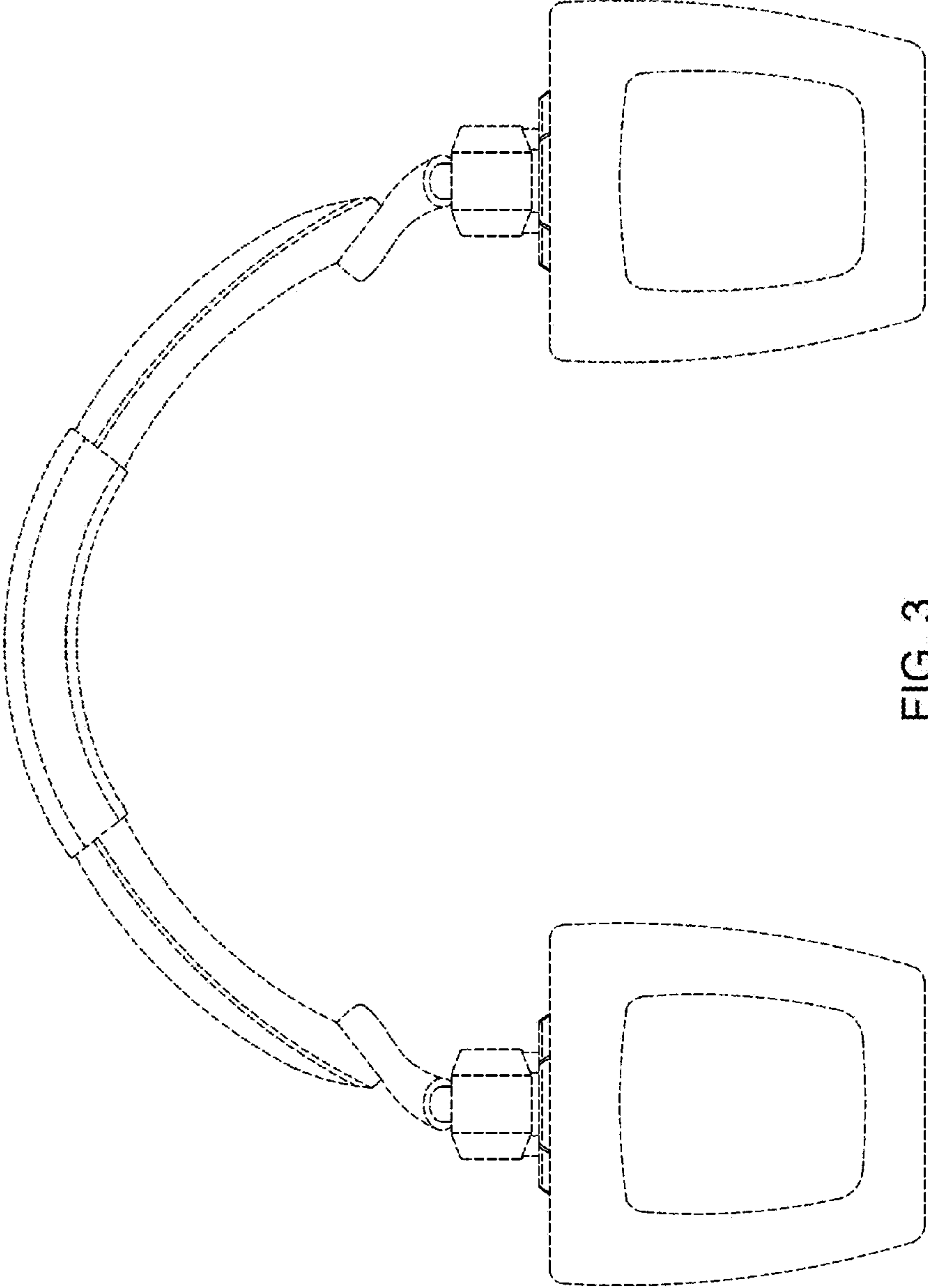


FIG. 3

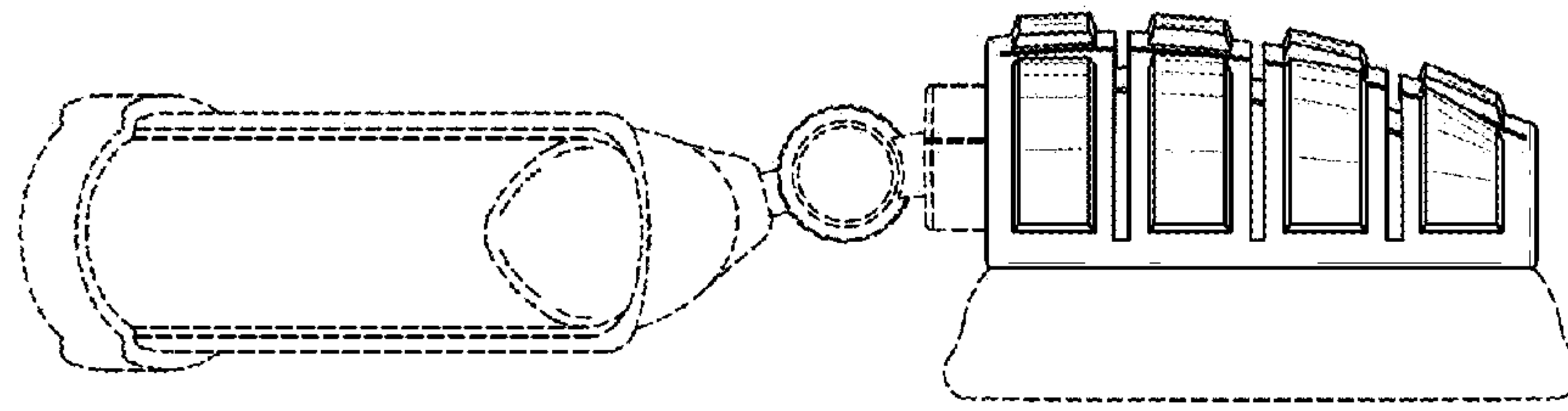


FIG. 5

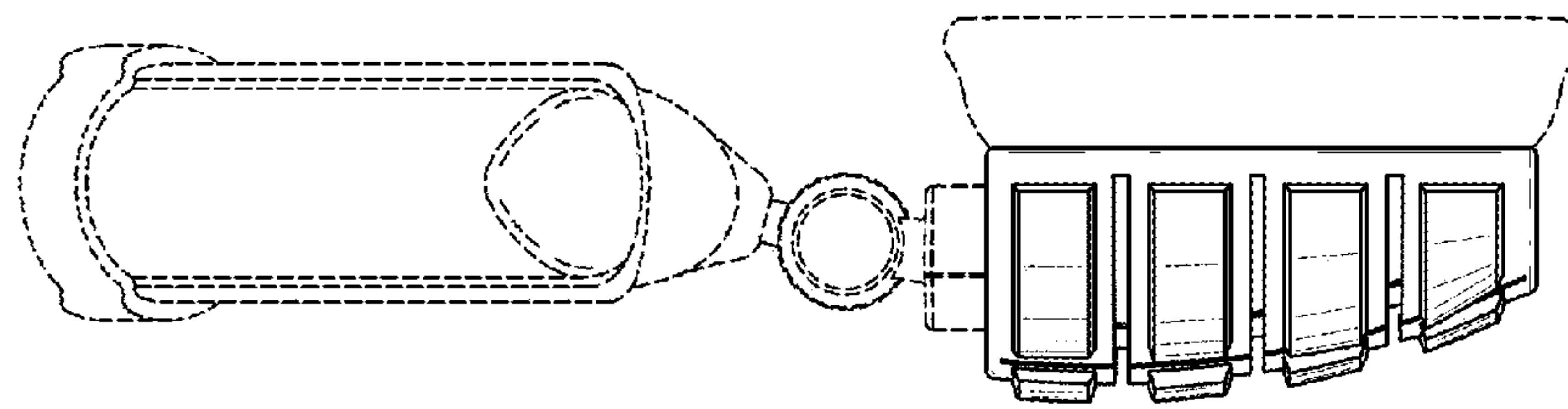


FIG. 4



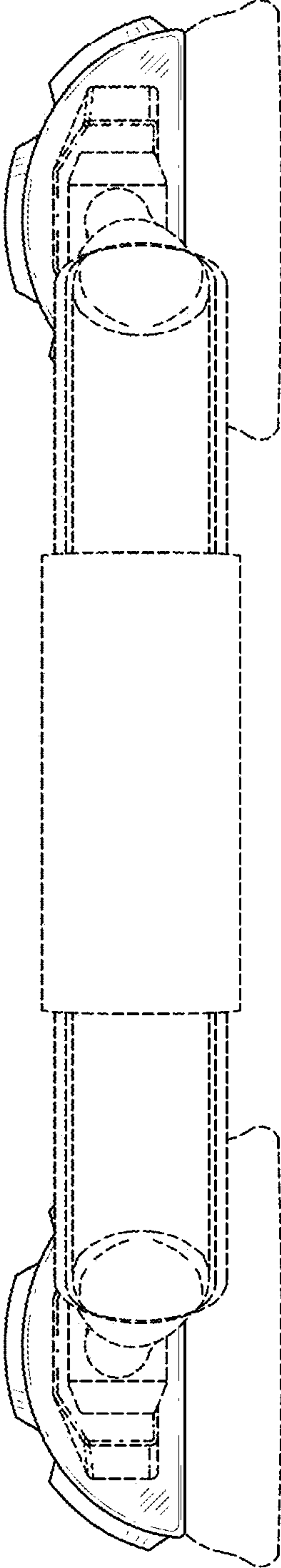


FIG. 6

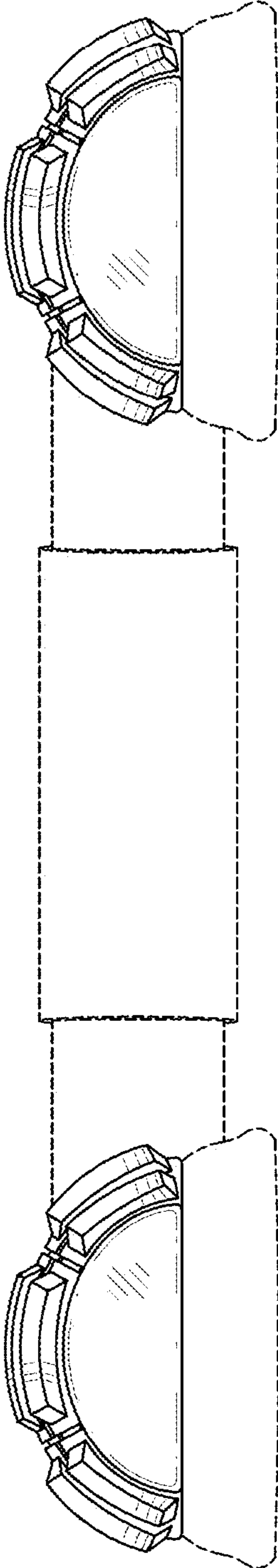


FIG. 7

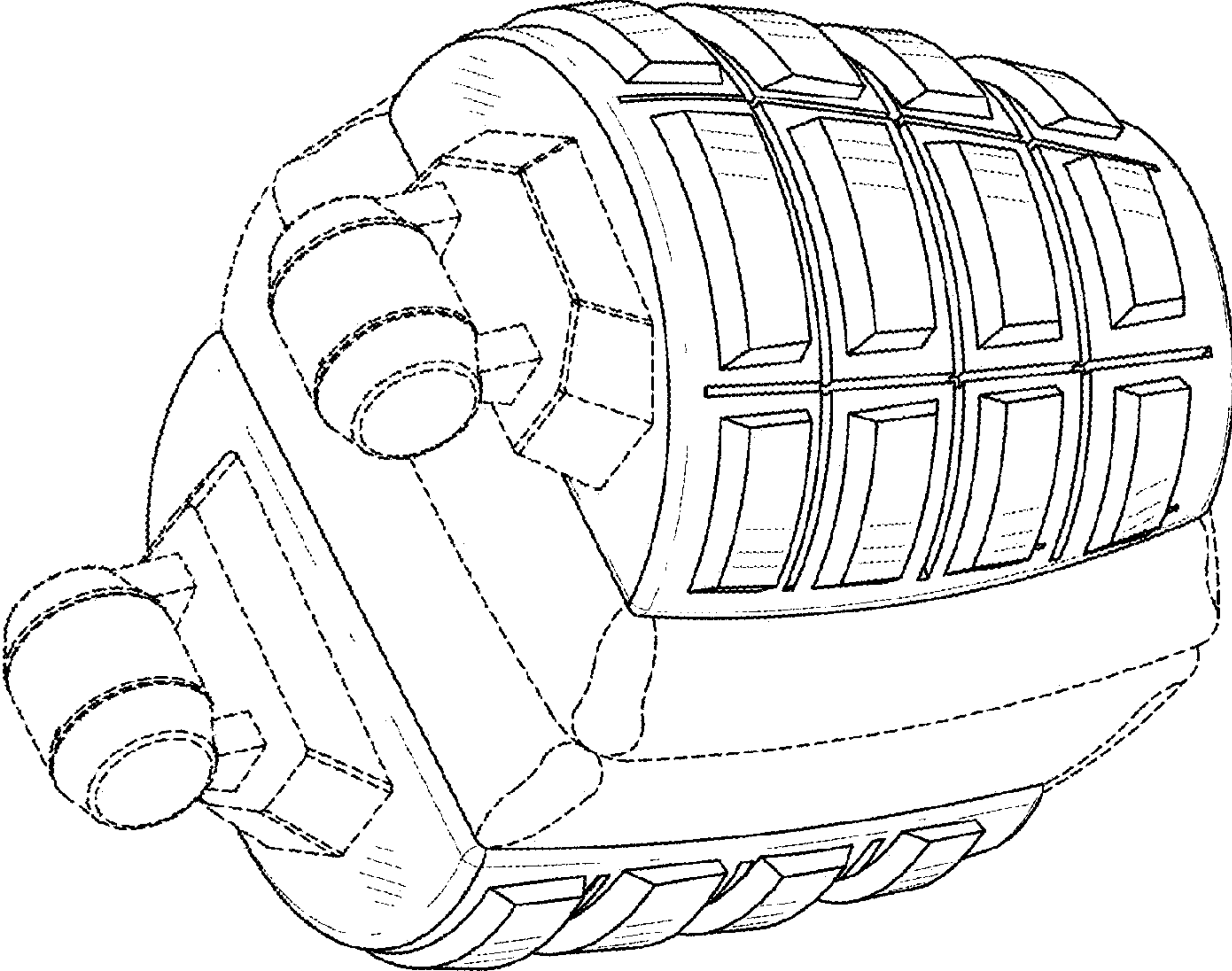


FIG. 8



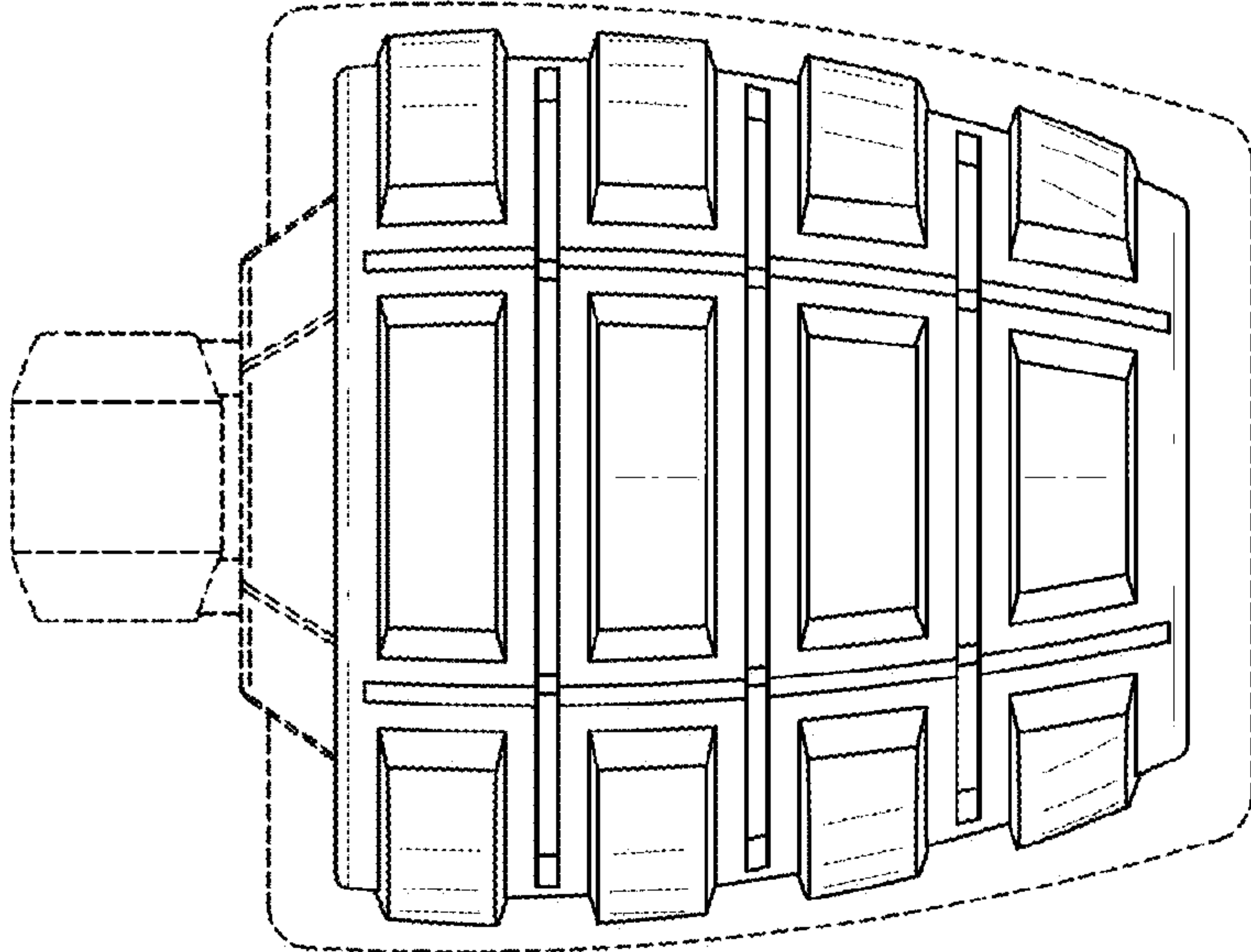


FIG. 10

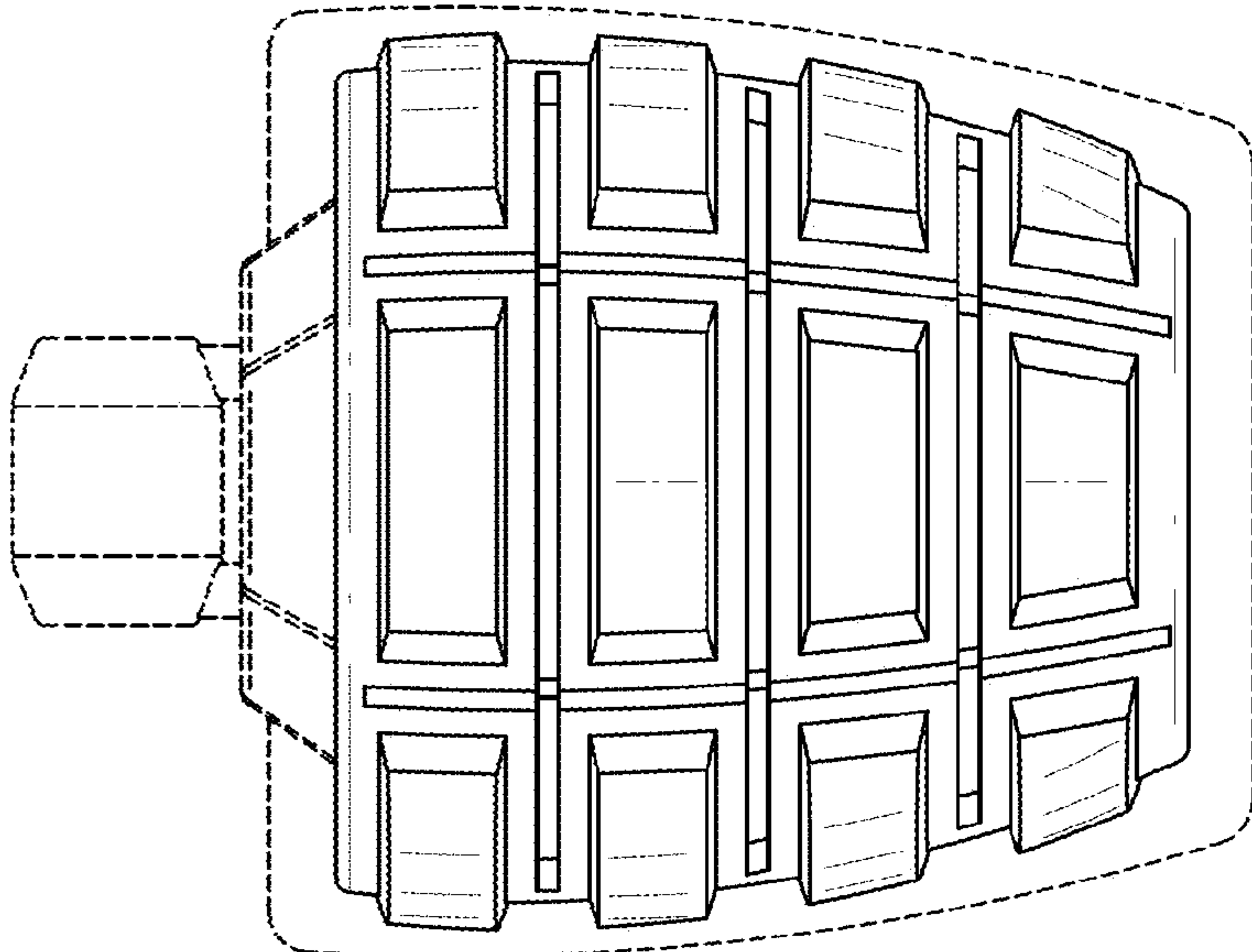


FIG. 9

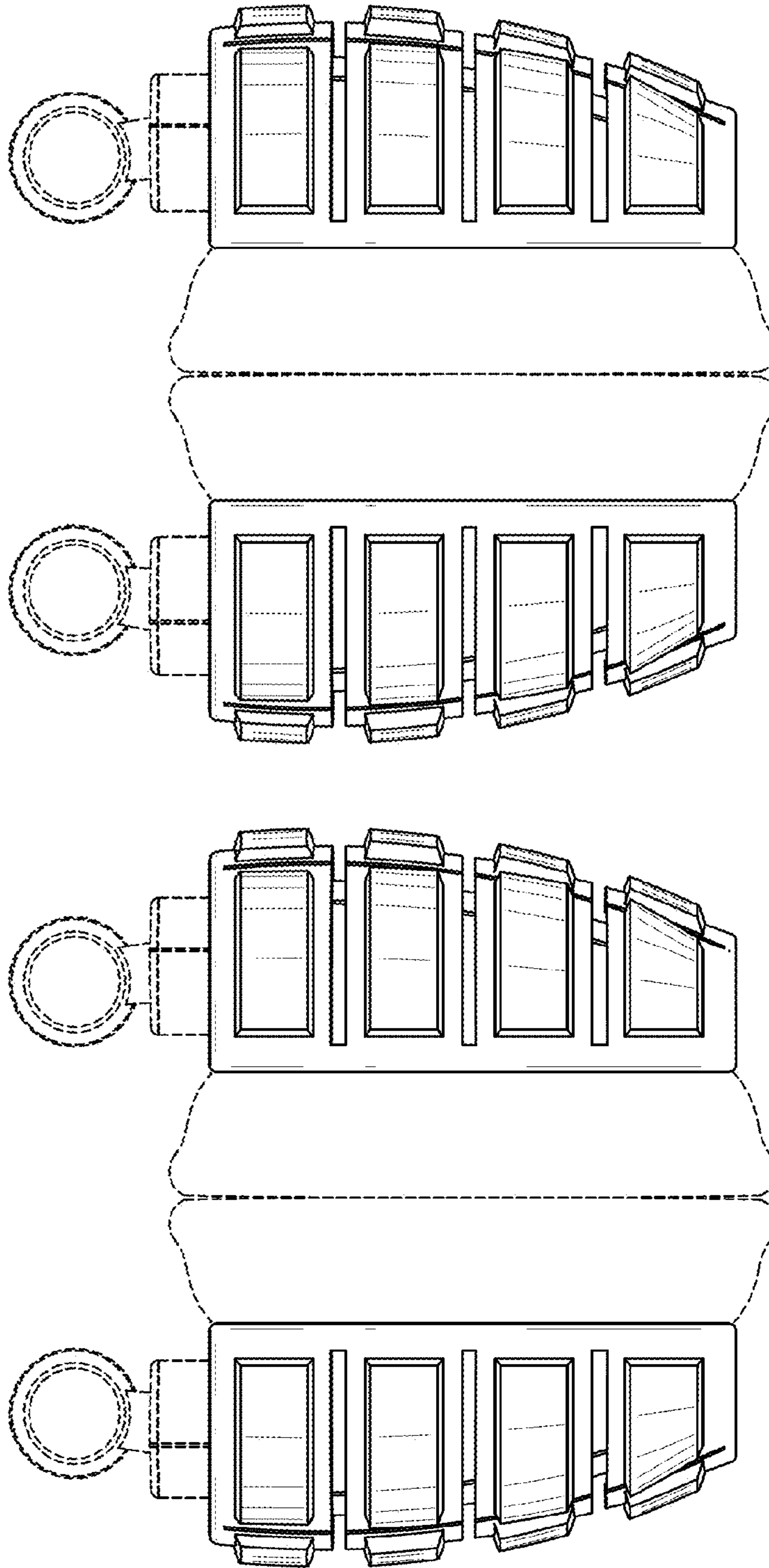


FIG. 12

FIG. 11

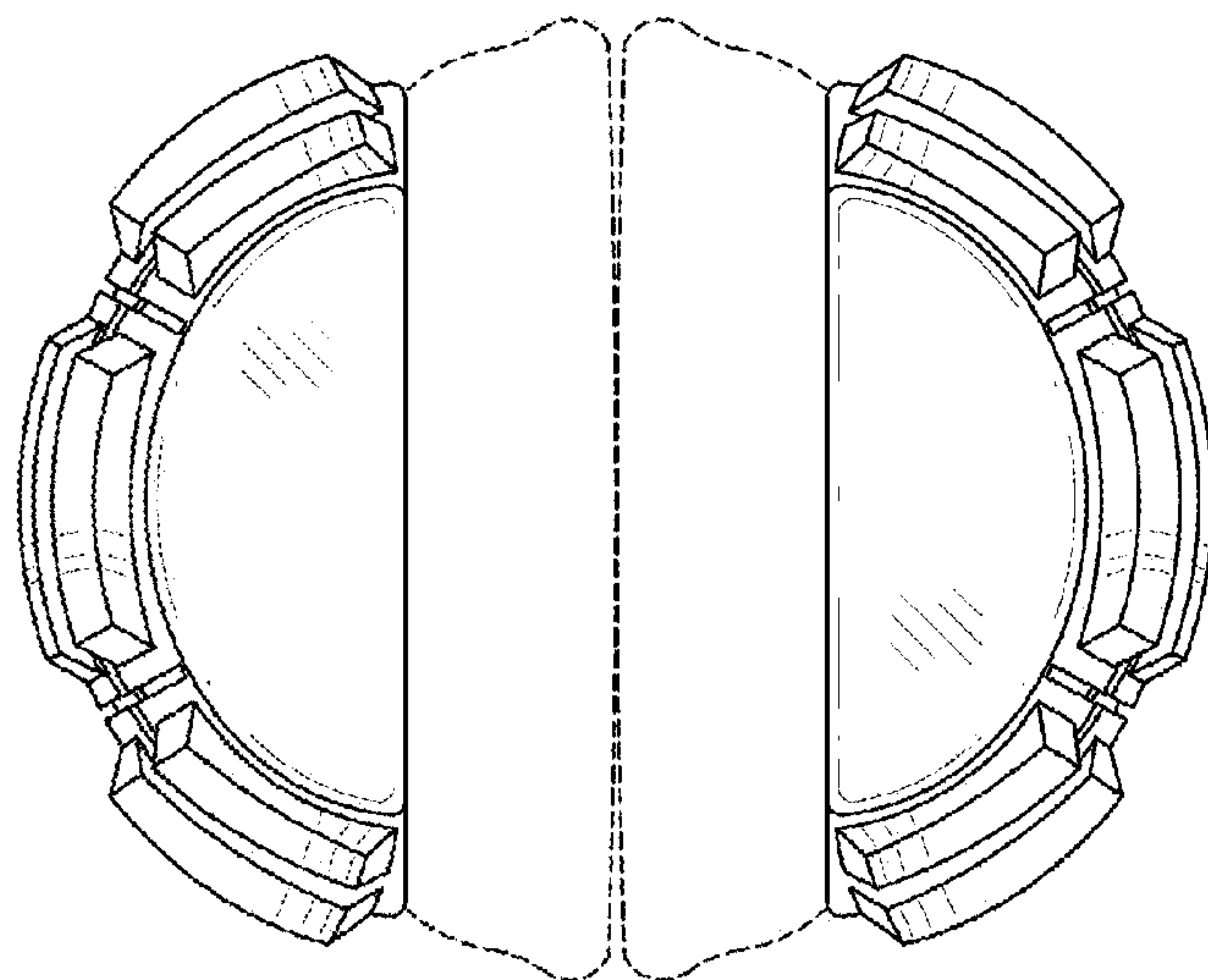


FIG. 14

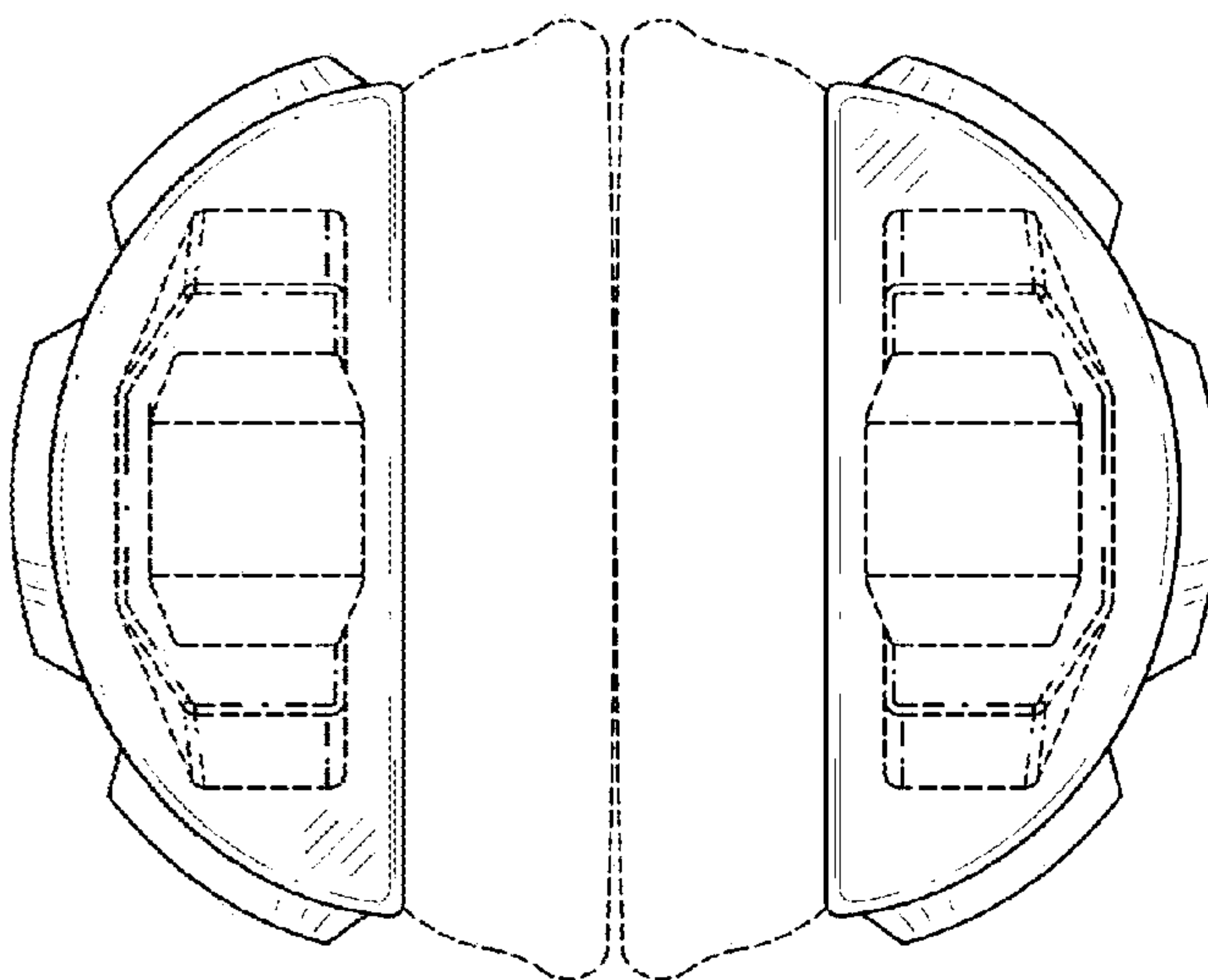


FIG. 13