



US00D757680S

(12) **United States Design Patent**
Kelly et al.

(10) **Patent No.:** **US D757,680 S**
(45) **Date of Patent:** **** May 31, 2016**

- (54) **HEADPHONE**
- (71) Applicant: **Skullcandy, Inc.**, Park City, UT (US)
- (72) Inventors: **Peter M. Kelly**, Park City, UT (US);
Randall J. Hull, Park City, UT (US);
David G. Vogt, Jr., Salt Lake City, UT (US)
- (73) Assignee: **Skullcandy, Inc.**, Park City, UT (US)
- (**) Term: **14 Years**
- (21) Appl. No.: **29/513,680**
- (22) Filed: **Jan. 5, 2015**
- (51) **LOC (10) Cl.** **14-01**
- (52) **U.S. Cl.**
USPC **D14/205**
- (58) **Field of Classification Search**
USPC D14/205, 206; 181/129, 130, 135;
379/430, 431; 381/380, 381, 374, 376;
D29/112; 2/209; 455/90.3, 575.1
CPC H04R 1/1066
See application file for complete search history.

6,724,906	B2 *	4/2004	Naksen	H04R 1/1066	381/370
7,187,948	B2	3/2007	Alden			
D563,382	S *	3/2008	Wikel	D14/205	
7,395,090	B2	7/2008	Alden			
D623,627	S	9/2010	Alden et al.			
D624,057	S	9/2010	Kelly et al.			
D635,958	S *	4/2011	Ando	D14/205	
D641,003	S	7/2011	Alden			
D641,725	S *	7/2011	Chong	D14/205	
8,014,824	B2	9/2011	Alden			
D650,356	S	12/2011	Alden et al.			
D656,129	S	3/2012	Kelly et al.			
D663,717	S *	7/2012	Hutchieson	D14/206	

(Continued)

FOREIGN PATENT DOCUMENTS

CA	2515558	A1	2/2007
CA	2697029	A1	2/2007

(Continued)

Primary Examiner — Paula Greene
(74) *Attorney, Agent, or Firm* — TraskBritt

(57) **CLAIM**

The ornamental design for a headphone, as shown and described.

DESCRIPTION

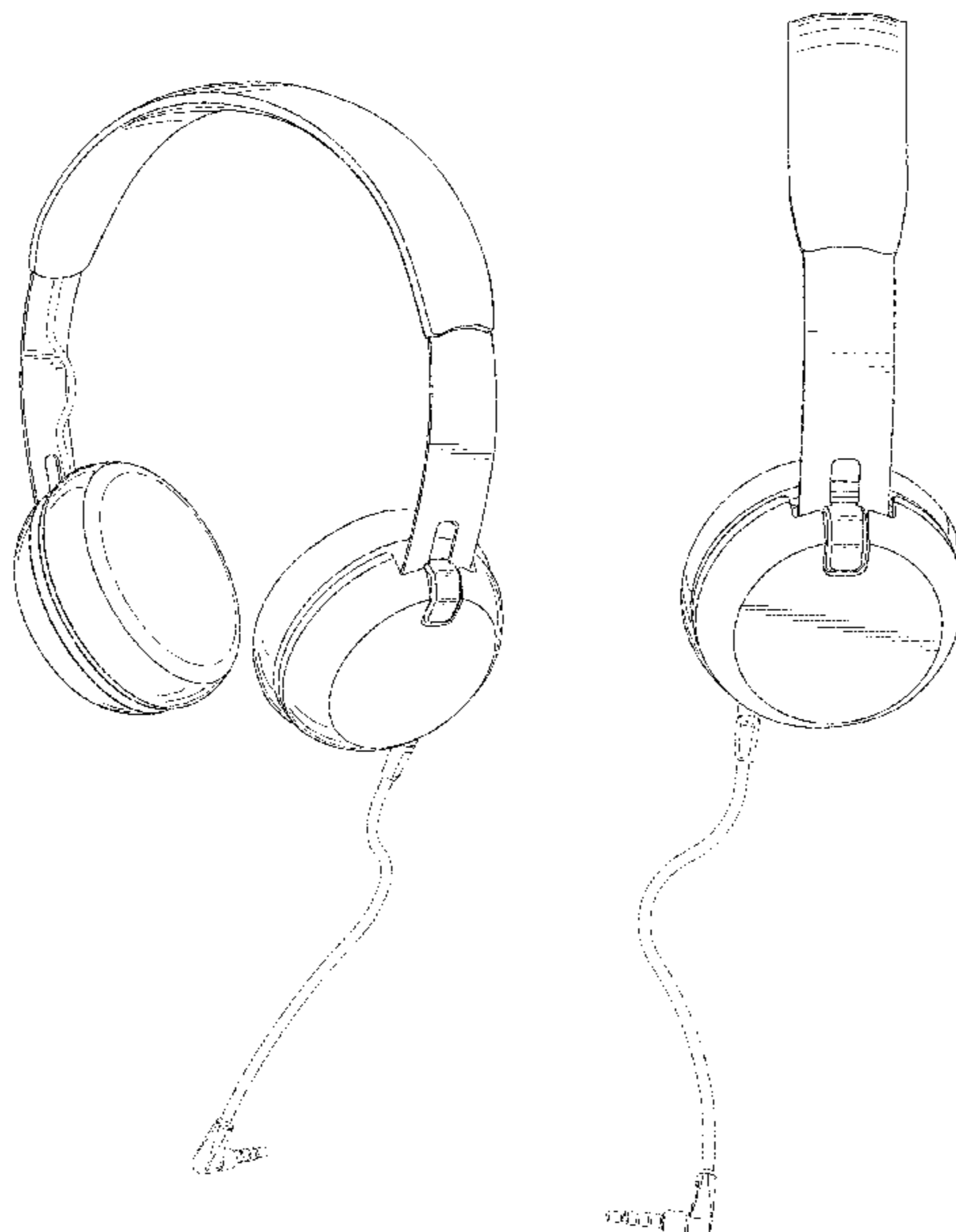
FIG. 1 is a perspective view of an embodiment of a headphone;
FIG. 2 is a right side view of the headphone shown in FIG. 1;
FIG. 3 is a left side view of the headphone shown in FIG. 1;
FIG. 4 is a back view of the headphone shown in FIG. 1;
FIG. 5 is a front view of the headphone shown in FIG. 1;
FIG. 6 is a top view of the headphone shown in FIG. 1; and,
FIG. 7 is a bottom view of the headphone shown in FIG. 1.
The broken lines in FIGS. 1 through 7 are for environmental purposes only and do not form any part of the claimed design.

1 Claim, 6 Drawing Sheets

(56) **References Cited**

U.S. PATENT DOCUMENTS

3,562,816	A *	2/1971	Hutchinson	A61F 11/14	2/209
3,618,540	A *	11/1971	Wenger	F23G 7/001	110/226
D223,256	S *	4/1972	Thomson	D14/205	
D246,259	S *	11/1977	Nishimura	D14/205	
4,133,053	A *	1/1979	Lundin	H04R 1/1058	2/209
D313,092	S *	12/1990	Nilsson	D14/205	
D375,825	S *	11/1996	Whidden	D2/866	
6,678,897	B2 *	1/2004	Lindgren	A61F 11/14	181/129



(56)

References Cited

U.S. PATENT DOCUMENTS

D665,776 S 8/2012 Alden et al.
 D665,777 S 8/2012 Alden et al.
 D673,136 S 12/2012 Kelly et al.
 D673,140 S 12/2012 Kelly et al.
 D674,372 S 1/2013 Kelly et al.
 D674,376 S 1/2013 Kelly et al.
 D676,023 S 2/2013 Kelly et al.
 D676,024 S 2/2013 Kelly et al.
 D677,241 S 3/2013 Kelly et al.
 D683,717 S 6/2013 Kelly et al.
 8,457,557 B2 6/2013 Alden
 D685,759 S 7/2013 Kelly et al.
 D685,767 S 7/2013 Kelly et al.
 8,515,115 B2 8/2013 Kelly et al.
 D689,463 S * 9/2013 Hardi D14/205
 D689,464 S 9/2013 Bonahoom et al.
 8,542,859 B2 9/2013 Alden
 D691,582 S 10/2013 Nguyen et al.
 D693,793 S 11/2013 Kelly et al.
 D695,263 S * 12/2013 Mogili D14/205
 D696,226 S * 12/2013 Brunner D14/205
 D699,216 S 2/2014 Bonahoom et al.
 D701,193 S 3/2014 Kelly et al.
 D701,196 S 3/2014 Kelly et al.
 D701,197 S 3/2014 Kelly et al.
 D707,200 S * 6/2014 Yang D14/205
 D707,654 S 6/2014 Nguyen et al.
 8,755,555 B2 * 6/2014 Dougherty H04R 1/1066
 381/370
 D713,374 S * 9/2014 Farrage D14/205
 D715,251 S * 10/2014 Sparks D14/205

D722,998 S * 2/2015 Sancho D14/205
 D723,508 S * 3/2015 Garland D14/205
 D732,001 S * 6/2015 Licht D14/205
 D740,254 S * 10/2015 Huang D14/205
 2001/0017925 A1 * 8/2001 Ceravolo H04M 1/05
 381/370
 2005/0220318 A1 * 10/2005 Han H04R 1/1008
 381/371
 2007/0142025 A1 6/2007 Alden
 2008/0267440 A1 10/2008 Alden
 2011/0164776 A1 7/2011 Kelly et al.
 2011/0235819 A1 9/2011 Alden
 2012/0128172 A1 5/2012 Alden
 2012/0275615 A1 11/2012 Kelly et al.
 2013/0118944 A1 5/2013 Niuro et al.
 2013/0130540 A1 5/2013 Oman et al.
 2013/0177165 A1 7/2013 Oishi
 2013/0177195 A1 7/2013 Sze et al.
 2013/0185905 A1 7/2013 Stiff et al.
 2013/0208909 A1 8/2013 Mülder et al.
 2013/0336514 A1 12/2013 Kelly et al.
 2014/0056459 A1 2/2014 Oishi et al.
 2014/0270228 A1 9/2014 Oishi et al.
 2014/0270230 A1 9/2014 Oishi et al.

FOREIGN PATENT DOCUMENTS

EP 1760896 B1 9/2010
 EP 2262117 A1 12/2010
 WO 2010068495 A2 6/2010
 WO 2010124190 A2 10/2010
 WO 2011085096 A2 7/2011
 WO 2012024656 A2 2/2012

* cited by examiner

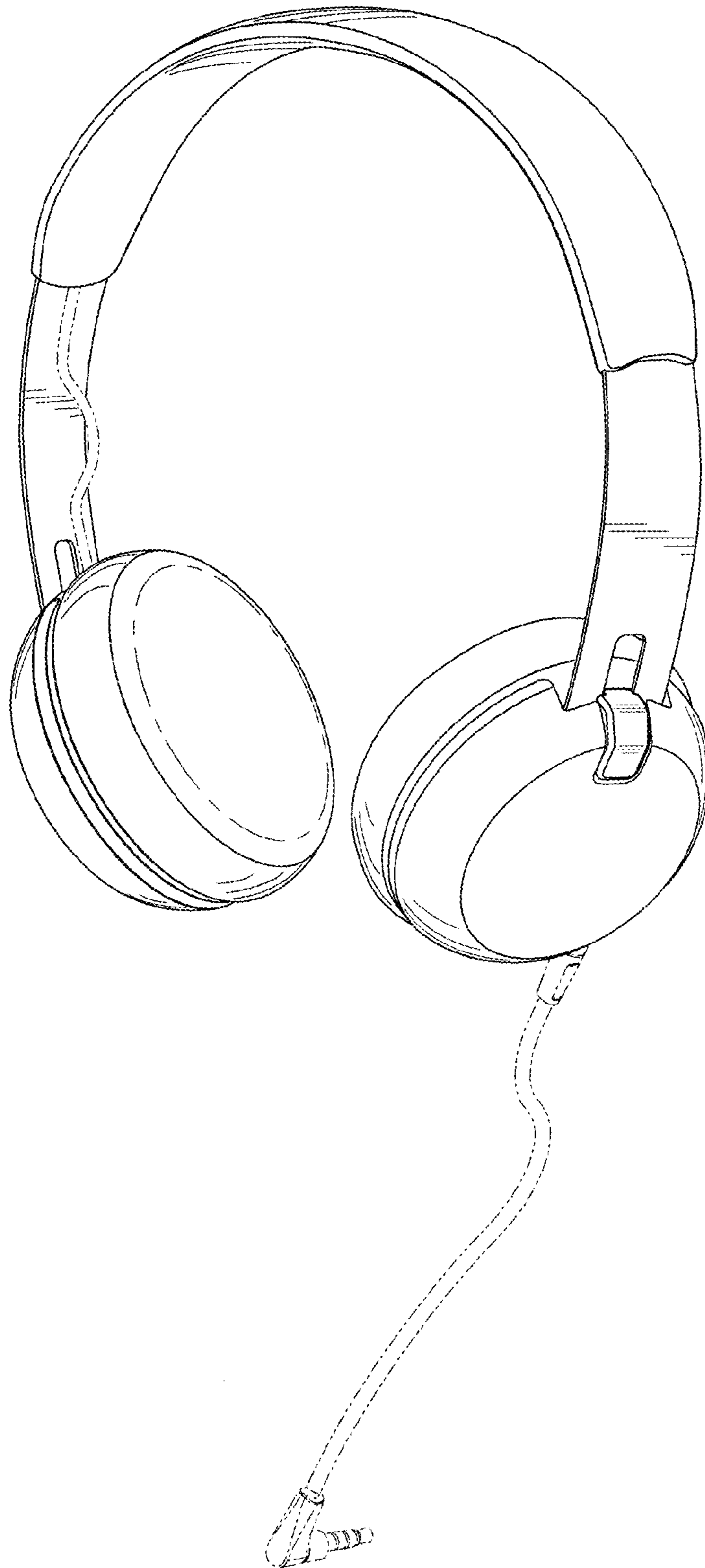


FIG. 1

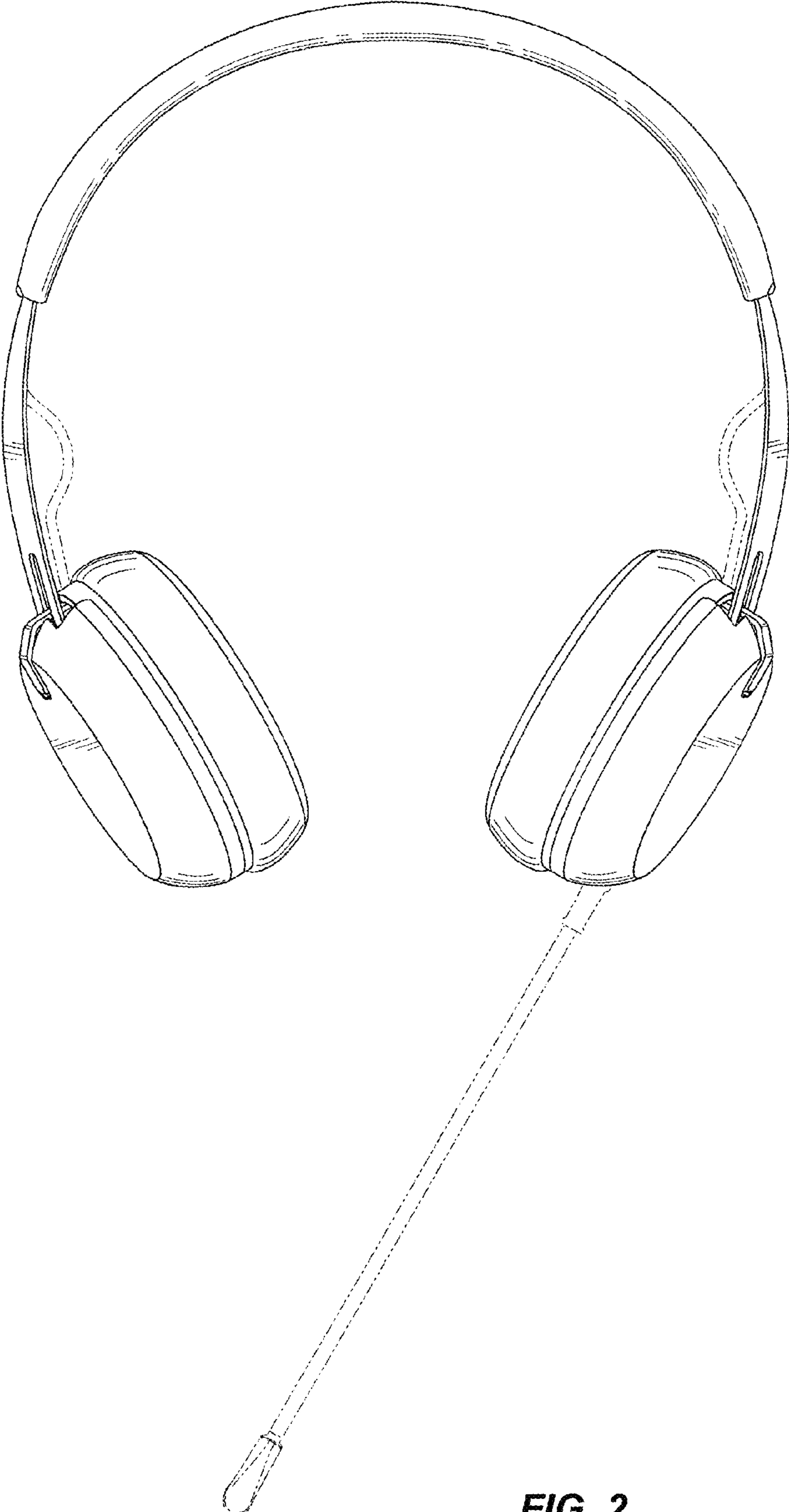


FIG. 2



FIG. 3

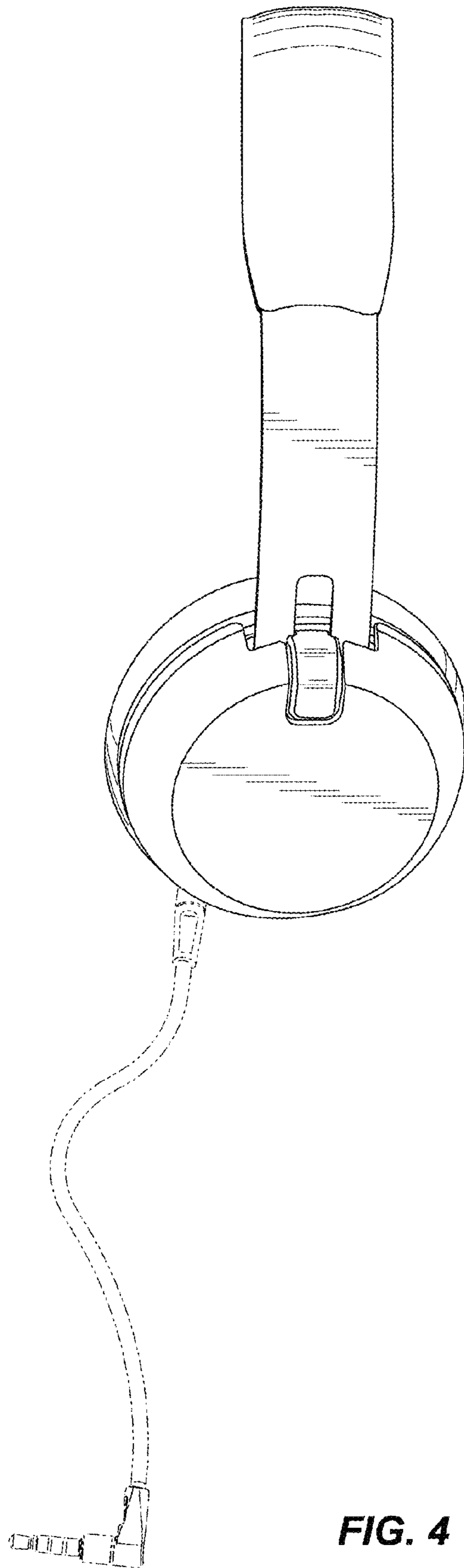


FIG. 4

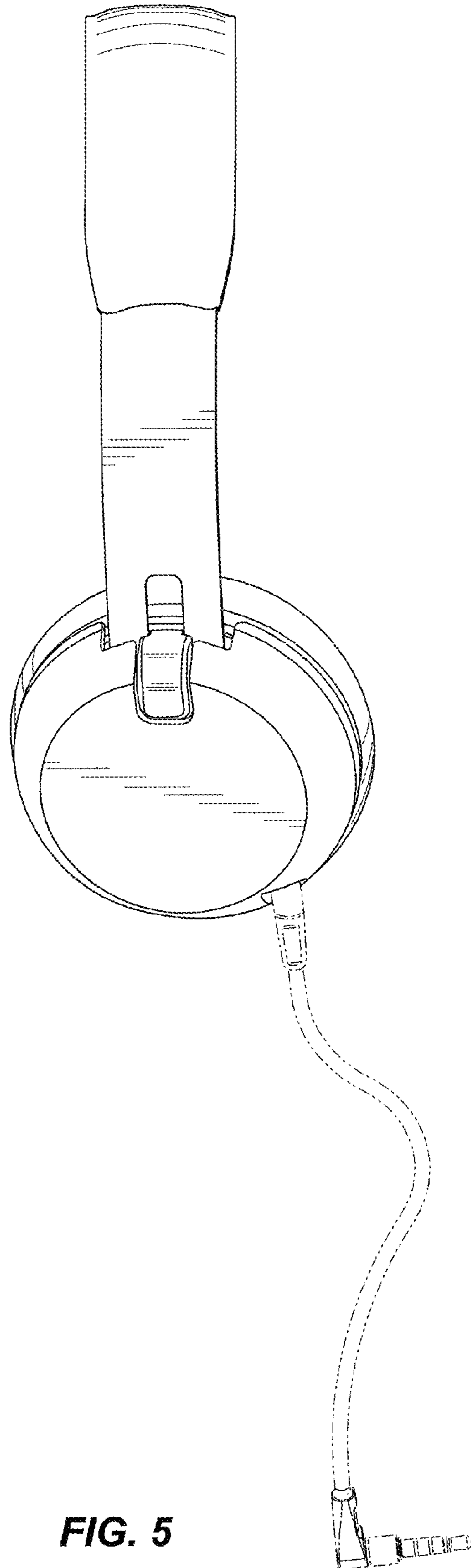


FIG. 5

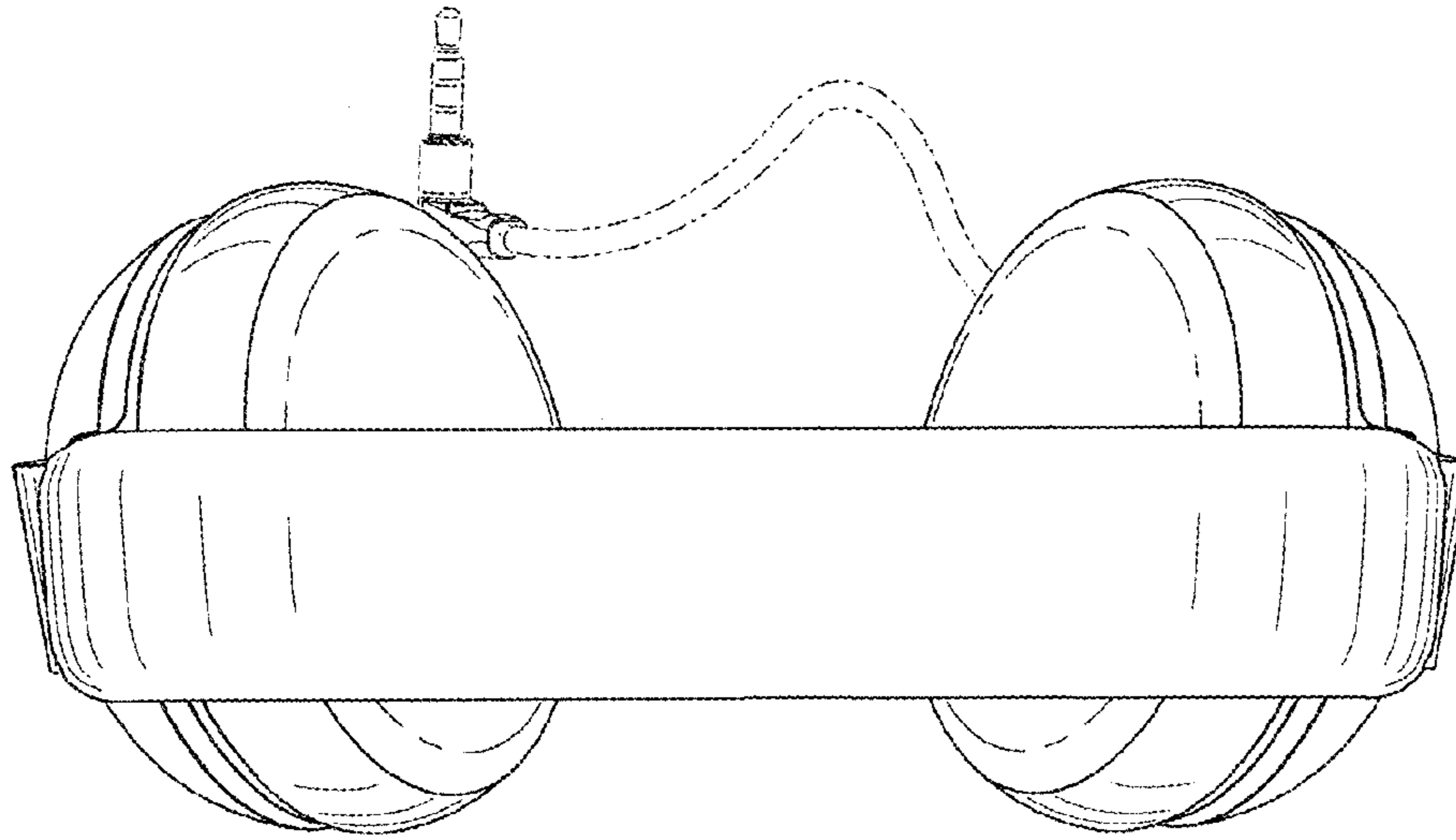


FIG. 6

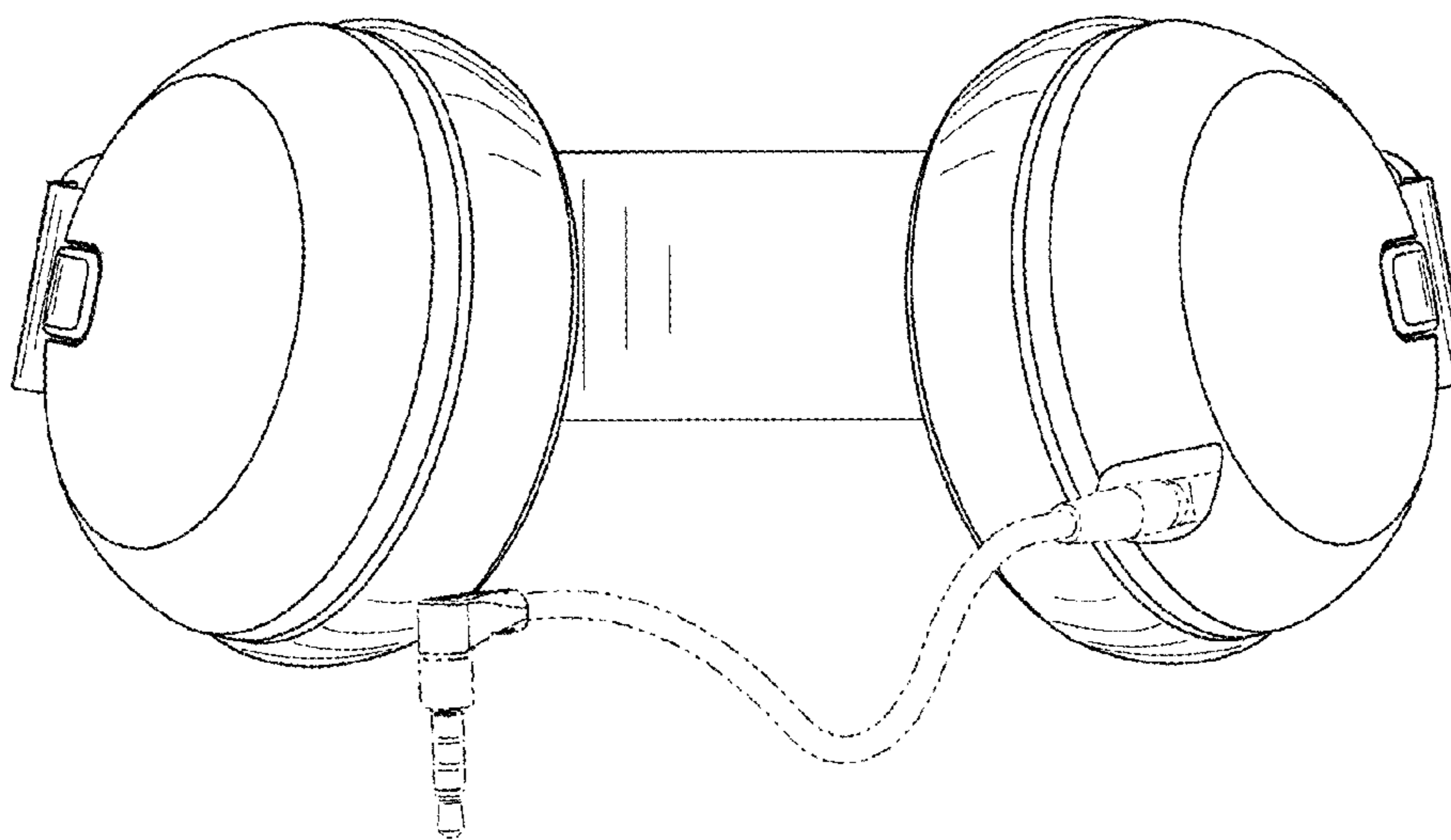


FIG. 7