



US00D757679S

(12) **United States Design Patent**  
**Yan et al.**

(10) **Patent No.:** **US D757,679 S**  
(45) **Date of Patent:** **\*\* May 31, 2016**

(54) **HEADSET WITH SPEAKERS SHAPED AS ANIMAL EARS**

(71) Applicants: **Wenqing Yan**, Berkeley, CA (US);  
**Victoria Hu**, Berkeley, CA (US)

(72) Inventors: **Wenqing Yan**, Berkeley, CA (US);  
**Victoria Hu**, Berkeley, CA (US)

(73) Assignee: **Axent Wear, Inc.**, Berkeley, CA (US)

(\*\*) Term: **14 Years**

(21) Appl. No.: **29/495,826**

(22) Filed: **Jul. 3, 2014**

(51) **LOC (10) Cl.** ..... **14-01**

(52) **U.S. Cl.**  
USPC ..... **D14/205**

(58) **Field of Classification Search**  
USPC ..... D14/205, 204, 207, 221, 232, 225–229;  
D21/655, 617, 656; D2/866, 868, 869,  
D2/872; D29/112; 2/209, 171, 173, 200.1,  
2/172; 181/129, 130, 135; 379/430, 431;  
381/380, 381; 455/90.3, 575.1;  
D16/310

CPC ..... H04R 1/1066  
See application file for complete search history.

(56) **References Cited**

**U.S. PATENT DOCUMENTS**

D155,702 S *	10/1949	Ganine	.....	D21/617
D180,052 S *	4/1957	Young	.....	D2/869
D348,349 S *	7/1994	Blackwell	.....	D2/872
D382,562 S *	8/1997	Leifer	.....	D14/207
D383,136 S *	9/1997	Leifer	.....	D14/223
D386,182 S *	11/1997	Leifer	.....	D14/207
D390,588 S *	2/1998	Wang	.....	D16/310
D400,554 S *	11/1998	Wang	.....	D16/310

D430,386 S *	9/2000	Necatera	.....	D2/869
D431,550 S *	10/2000	Yoneda	.....	D14/205
D512,708 S *	12/2005	Harris et al.	.....	D14/205
D514,087 S *	1/2006	Wilson et al.	.....	D14/206
D530,308 S *	10/2006	Topping	.....	D14/207
D538,261 S *	3/2007	Taylor et al.	.....	D14/205
7,388,960 B2 *	6/2008	Kuo et al.	.....	381/186
D573,581 S *	7/2008	Gondo et al.	.....	D14/205
D585,871 S *	2/2009	Lee	.....	D14/205
D589,682 S *	4/2009	Knab	.....	D2/869
D589,684 S *	4/2009	Knab	.....	D2/869
D685,283 S *	7/2013	Katoh	.....	D11/1
D711,347 S *	8/2014	Gan	.....	D14/205
D719,136 S *	12/2014	Schaal et al.	.....	D14/206

\* cited by examiner

*Primary Examiner* — Paula Greene

(74) *Attorney, Agent, or Firm* — DLA Piper LLP (US);  
Stephanie X. Wang

(57) **CLAIM**

We claim the ornamental design of a headset with speakers shaped as animal ears, substantially as shown and described.

**DESCRIPTION**

FIG. 1 is a front perspective view of a headset with speakers shaped as animal ears in accordance with the present invention;

FIG. 2 is a rear perspective view of the headset with speakers shaped as animal ears in FIG. 1;

FIG. 3 is a front view thereof;

FIG. 4 is a rear view thereof;

FIG. 5 is a top view thereof;

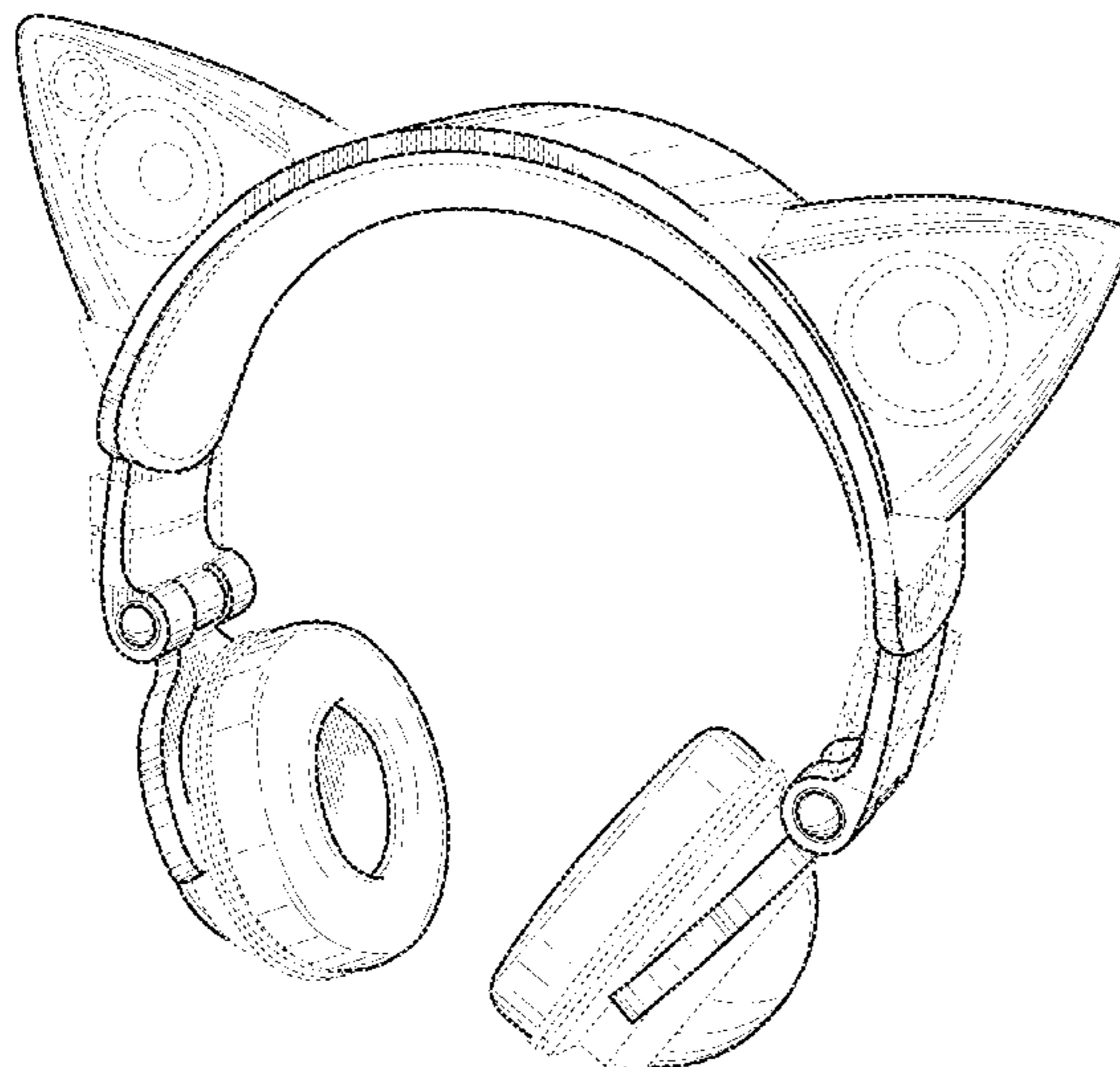
FIG. 6 is a plan view thereof;

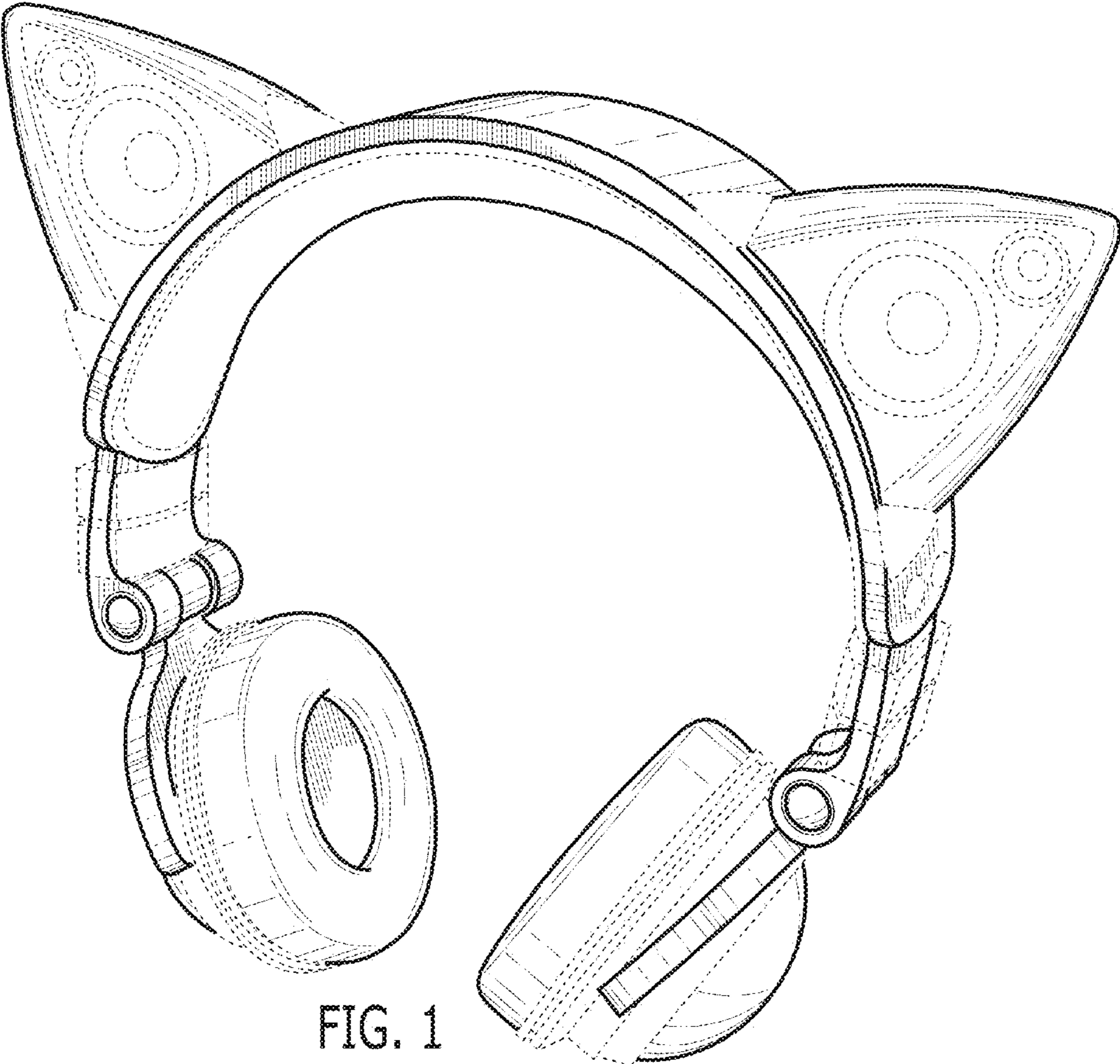
FIG. 7 is a left side view thereof; and,

FIG. 8 is a right side view thereof.

The broken lines immediately adjacent the shaded areas represent the bounds of the claimed design while all other broken lines form no part of the claimed design.

**1 Claim, 6 Drawing Sheets**





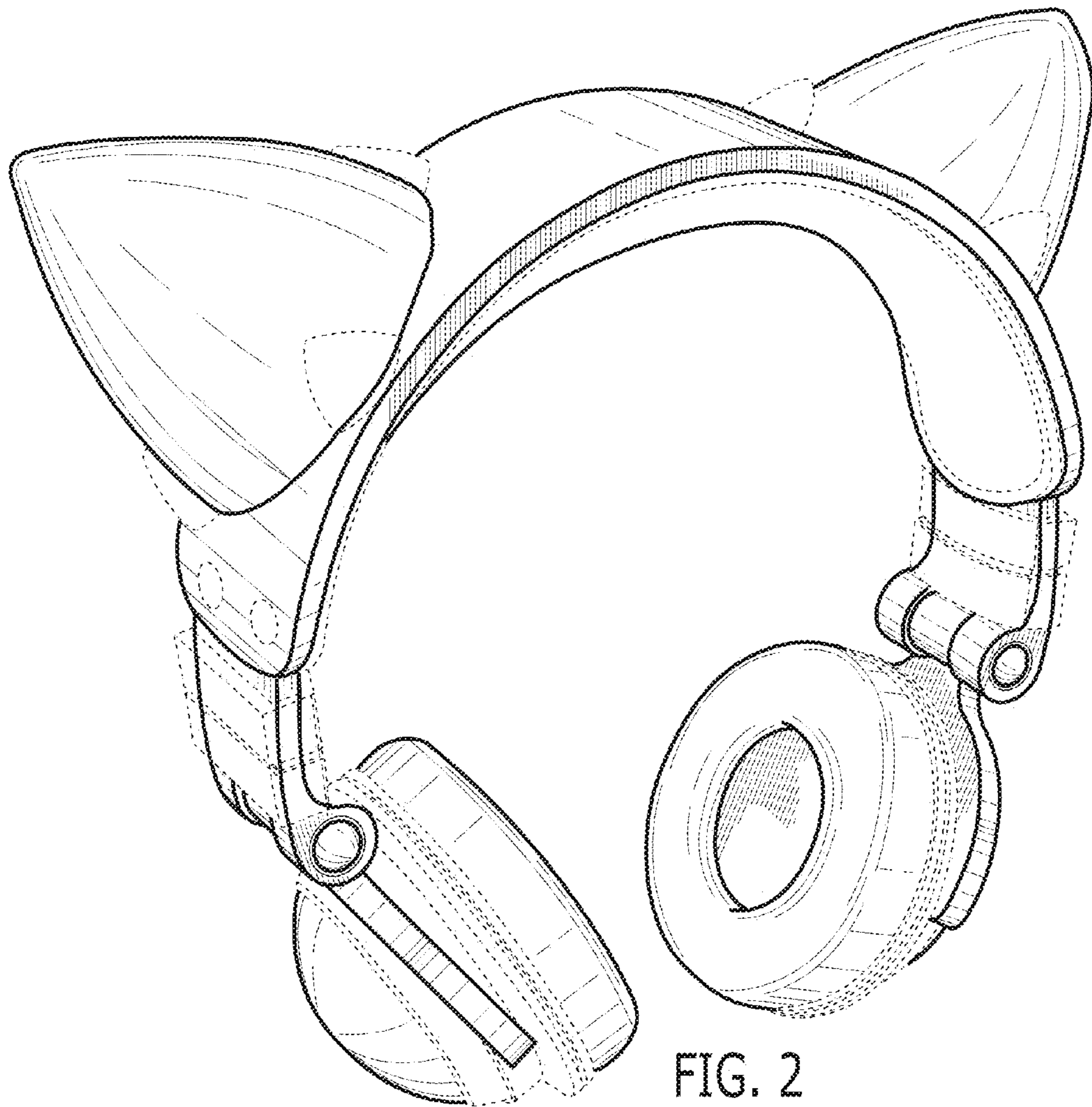






FIG. 3



FIG. 4

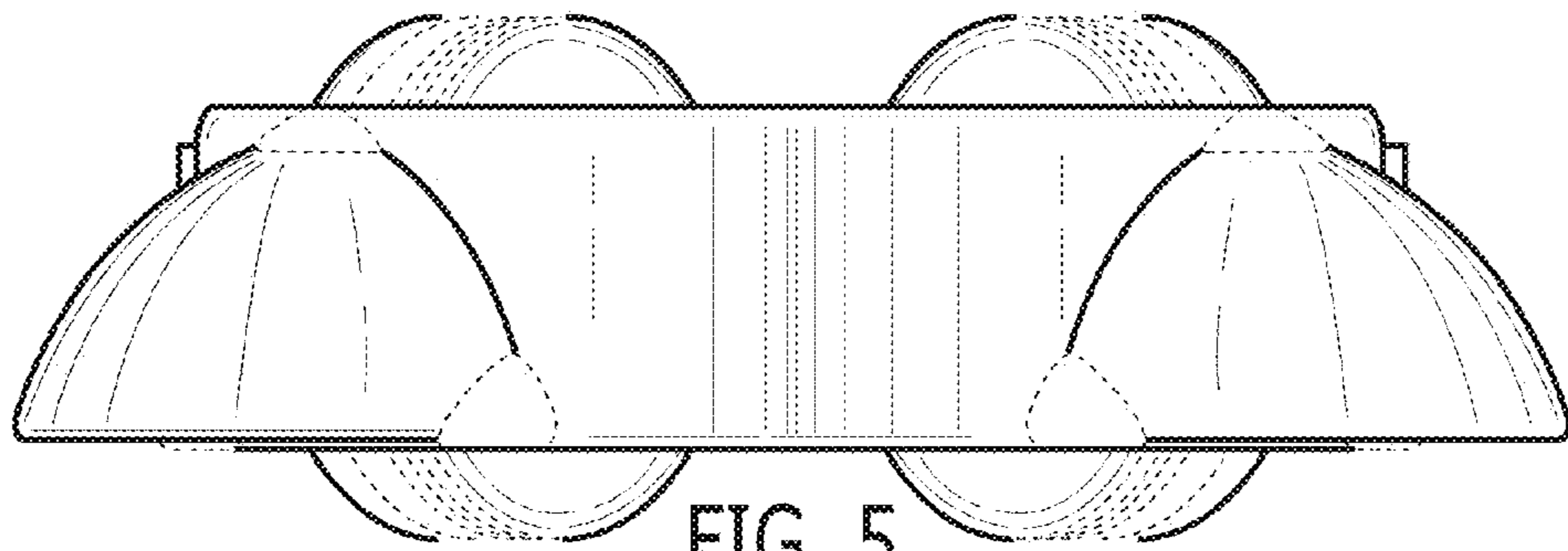


FIG. 5

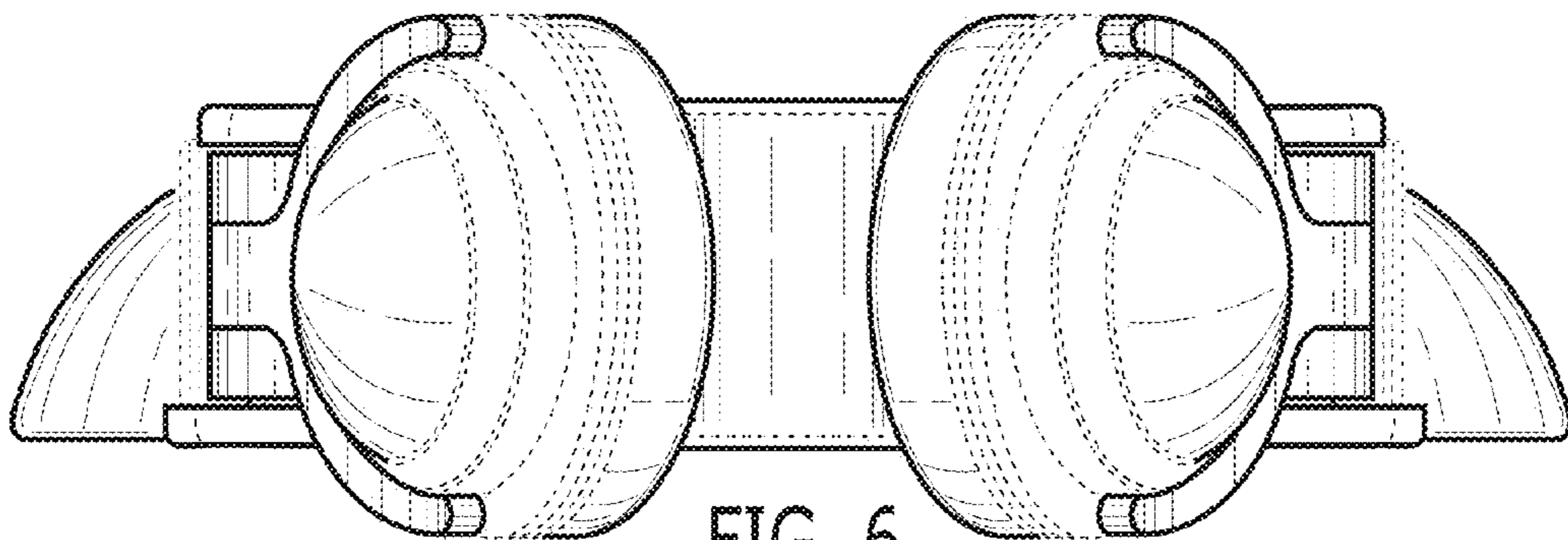


FIG. 6

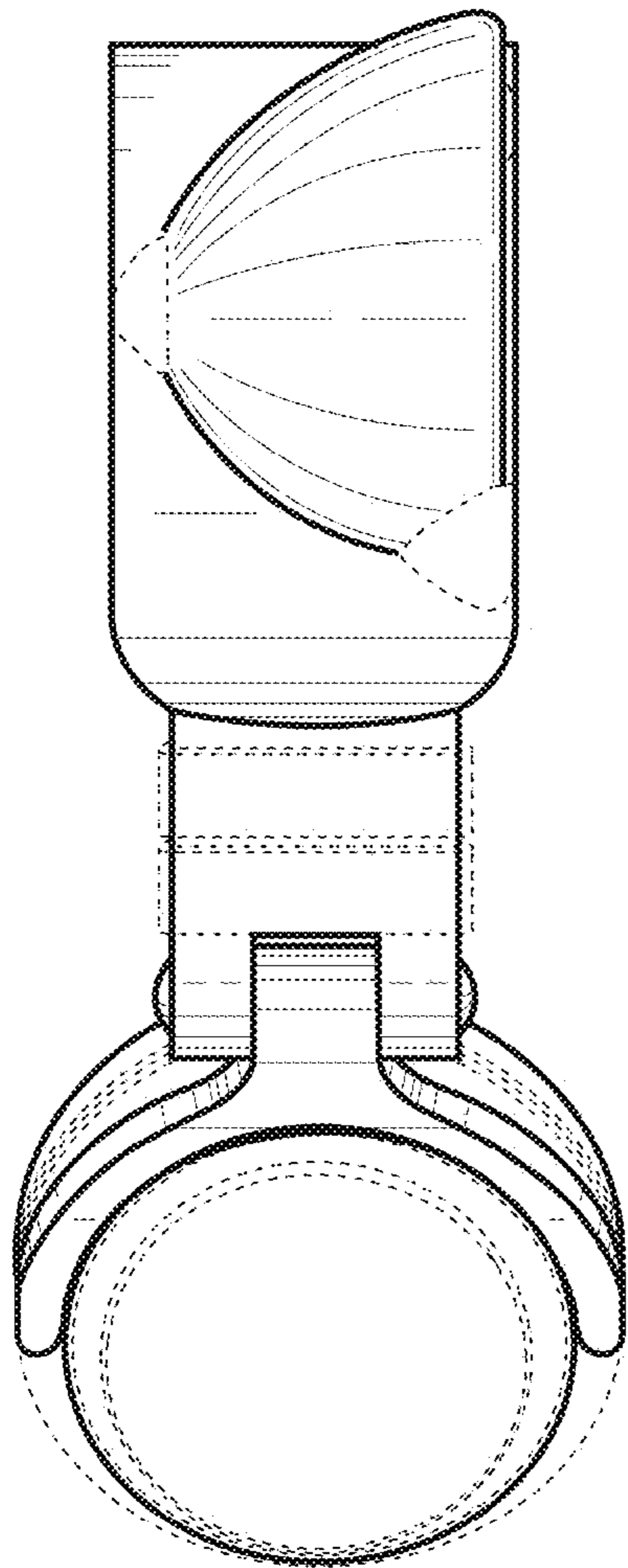


FIG. 7

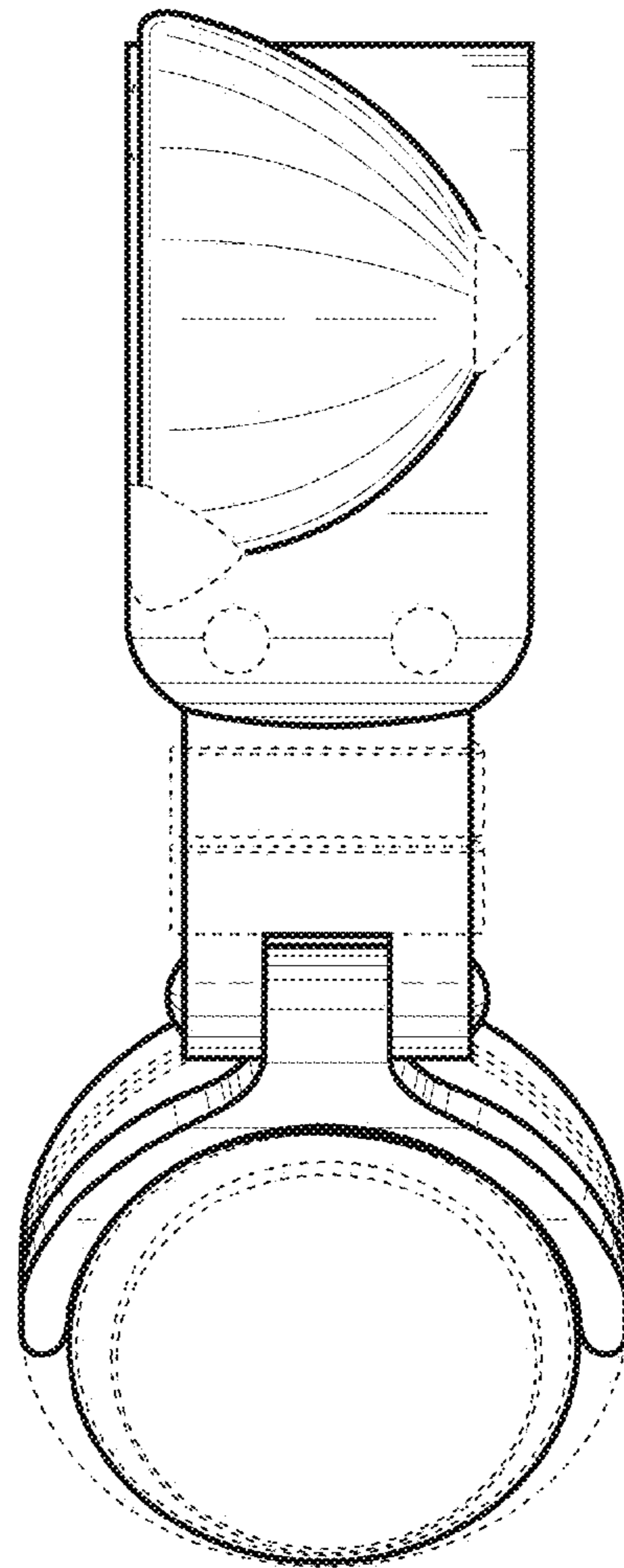


FIG. 8